

MP-I-2 Weldable pipe clamps

Standard black steel pipe clamp for heavy-duty industrial applications.

Applications

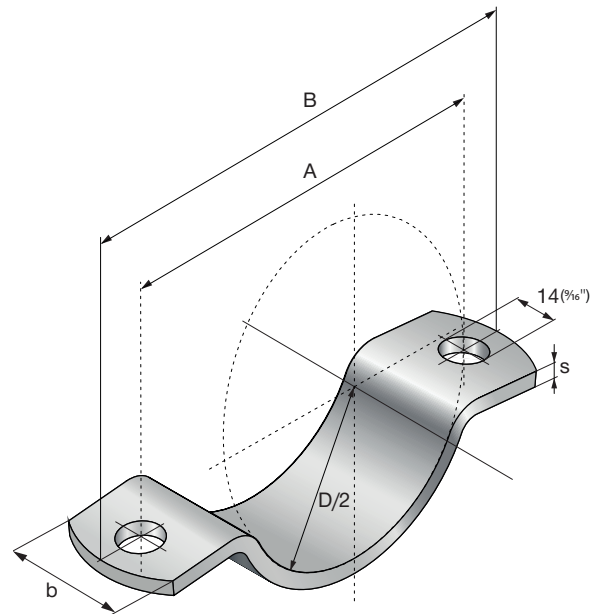
- Installing industrial pipes on various weldable sub-structures
- Usable as mechanical stopper under hot piping insulation

Advantages

- Wide clamp size range suitable for welding pipes with diameters from 21mm to 615mm (½" to 24")
- Flexible clamping range – suitable for various different pipes with or without additional inlays

Technical data

Material composition	S235JR - EN 10025
Surface finish	Uncoated
Environmental conditions	Dry indoor conditions C1, indoor with temp condensation C2



Item number	Item name	Item weight (g)	Clamping Range D (min.)	Clamping Range D (max.)	Clamping screw	Cross Section Width b (mm)	Cross Section Thickness s (mm)	Diameter D (mm)	Distance between holes A (mm)	Width B (mm)
2368781	MP-I-2 21-26 1/2" NC	84	21	26	M10x50	30	5	26	57	80.5
2368782	MP-I-2 26-31 3/4" NC	92	26	31	M10x50	30	5	31	63.2	86.8
2368783	MP-I-2 32-37 1" NC	105	32	37	M10x50	30	5	37	71.5	95.2
2369223	MP-I-2 38-44 1-1/4" NC	113	38	44	M10x50	30	5	44	77	100.7
2369224	MP-I-2 45-51 1-1/2" NC	127	45	51	M10x50	30	5	51	85.4	109.1
2368786	MP-I-2 52-58 NC	196	52	58	M12x55	40	5	58	97.6	125.4
2368787	MP-I-2 59-65 2" NC	214	59	65	M12x55	40	5	65	105.8	133.6
2368788	MP-I-2 68-74 NC	237	68	74	M12x55	40	5	74	116	143.9
2369225	MP-I-2 75-81 2-1/2" NC	255	75	81	M12x55	40	5	81	124.2	152
2368790	MP-I-2 88-94 3" NC	283	88	94	M12x55	40	5	94	136.3	164.2
2369293	MP-I-2 100-108 3-1/2" NC	309	100	108	M12x60	40	5	108	149.6	177.5
2368791	MP-I-2 110-118 4" NC	331	110	118	M12x60	40	5	118	159.6	187.5
2368792	MP-I-2 125-133 NC	368	125	133	M12x60	40	5	133	175.8	203.7
2368793	MP-I-2 136-144 5" NC	397	136	144	M12x60	40	5	144	188	216
2368794	MP-I-2 152-162 NC	433	152	162	M12x70	40	5	162	205.5	233.4
2368795	MP-I-2 163-173 6" NC	461	163	173	M12x70	40	5	173	217.7	245.6
2368796	MP-I-2 192-202 7" NC	795	192	202	M12x70	50	6	202	246	274
2368797	MP-I-2 217-227 8" NC	888	217	227	M12x70	50	6	227	272.3	300.2
2368798	MP-I-2 244-254 NC	1011	244	254	M16x80	50	6	254	308.1	344
2369226	MP-I-2 267-277 10" NC	1095	267	277	M16x80	50	6	277	332.4	368.3
2369227	MP-I-2 318-328 12" NC	1281	318	328	M16x80	50	6	328	384.6	420.6
2369228	MP-I-2 350-360 14" NC	1682	350	360	M16x80	60	6	360	416.6	452.6
2369229	MP-I-2 401-411 16" NC	1899	401	411	M16x80	60	6	411	468.7	504.7
2369290	MP-I-2 452-462 18" NC	2120	452	462	M16x80	60	6	462	518.8	554.7
2369291	MP-I-2 503-513 20" NC	2347	503	513	M16x80	60	6	513	571.1	607
2369292	MP-I-2 605-615 24" NC	2795	605	615	M16x80	60	6	615	673.1	709