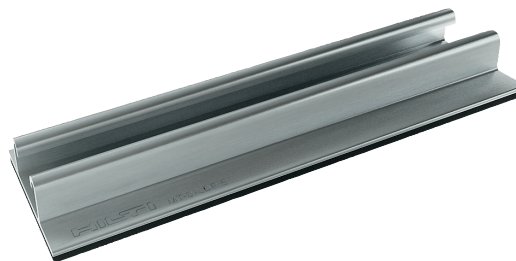


Load distribution plate MT-B-LDP S



Applications

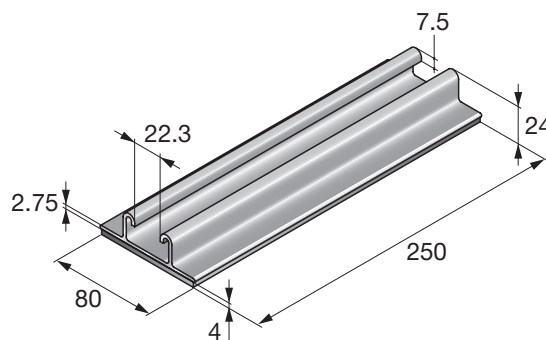
- Installing ventilation ducts, pipework and cable trays on flat roofs
- Suitable for use in outdoor environments

Advantages

- Part of the Hilti MT system – an economical, all-in-one solution for rooftop ventilation and other modular support systems
- Easy to install – compatible with the Hilti MT Twist-Lock, MQM and MRN Channel Nut, a faster alternative to spring nuts for assembling a modular support system
- Easier to handle and transport compared to pre-fabricated welded steel
- Includes a non-slip anti-vibration mat
- Suitable for outdoor applications, with features such as aluminum feet for better weather resistance

Technical data

Material composition	Aluminium, EPDM rubber
-----------------------------	------------------------



Order Designation	Material thickness	Weight	Available in	Packed to	Item number
MT-B-LDP S	2.75 mm	280 g	A, CH, D, NL, PL	2 pcs	2320182

Recommended Loads ^{5,6)}

Load-value drawing	+Fx ¹⁾ [kN]	-Fx ¹⁾ [kN]	+Fy ²⁾ [kN]	-Fy ²⁾ [kN]	+Fz [kN]	-Fz ³⁾ [kN]
	2,98	2,98	1,79	1,79	Not Decisive	7,23
	Mx ⁴⁾ [kN cm]	My ⁴⁾ [kN cm]	Mz ⁴⁾ [kN cm]			
	Not Decisive	Not Decisive	Not Decisive			

Note: + = in direction of the arrow; - = against the direction of the arrow (please refer to drawing above)

- 1) Doesn't include any information about the roof assembly. Please refer to the HILTI Engineering Service to assess the load limit of load distribution plates in combination with your roof assembly.
- 2) Limited to the lateral load resistance of the wing nut. For validation, please contact your Hilti Engineering Service.
- 3) The load resistance of the substrate must be validated separately.
- 4) The chargeable torque is limited by the connection assembly and the load bearing substrate.
- 5) The connection to the load distribution plates accounts for Twistlock, MRN, MQZ-L but not the load limits of the substrate.
- 6) The surface area amounts to 200 cm². For design loads please multiply by 1.4