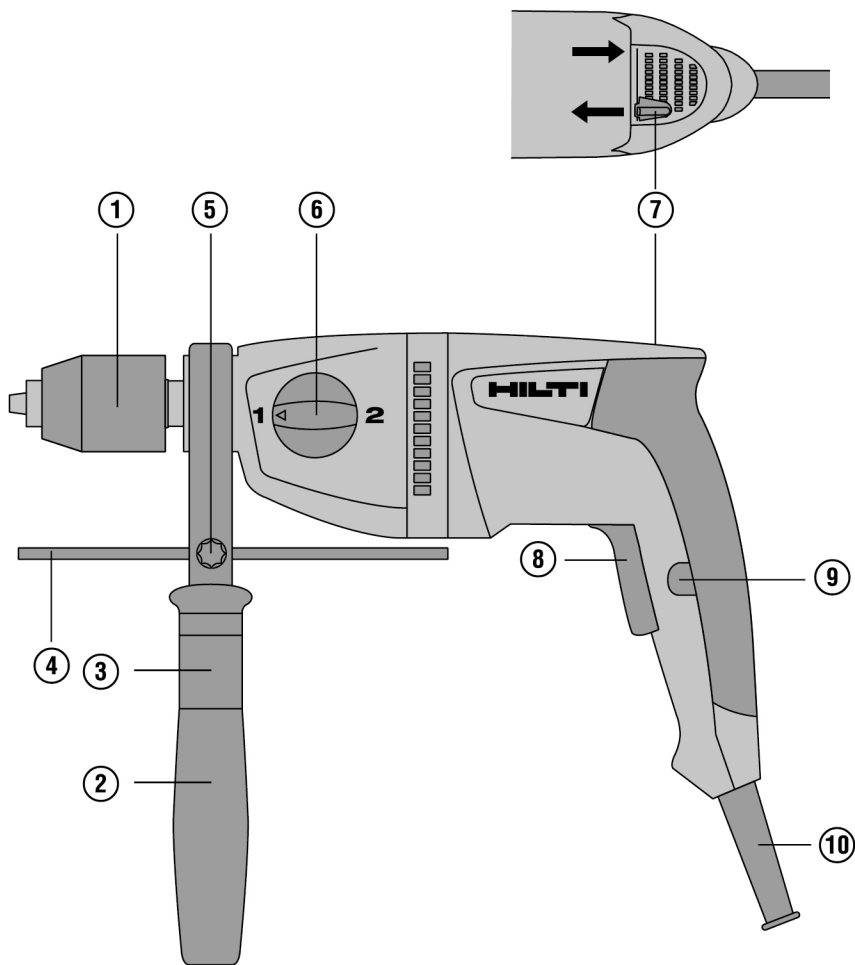
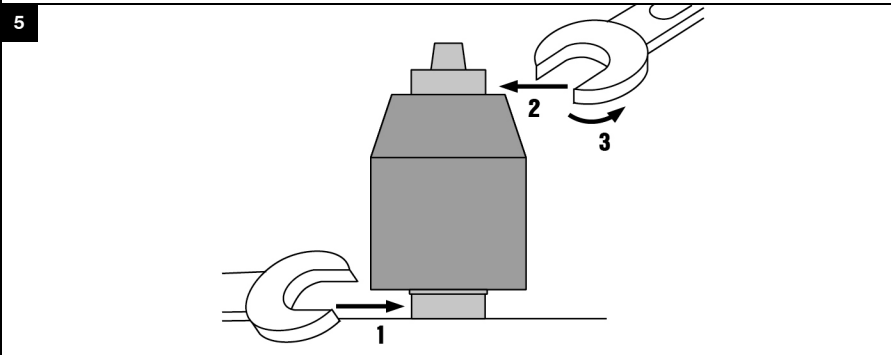
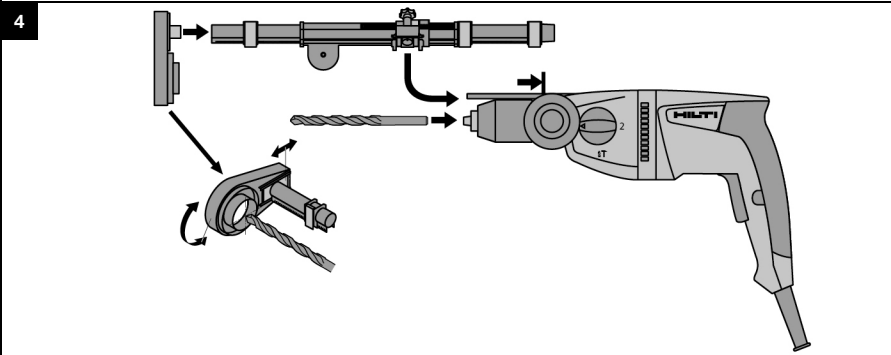
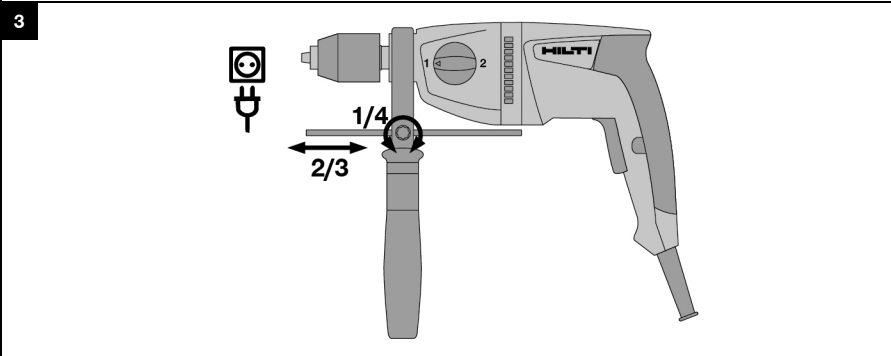
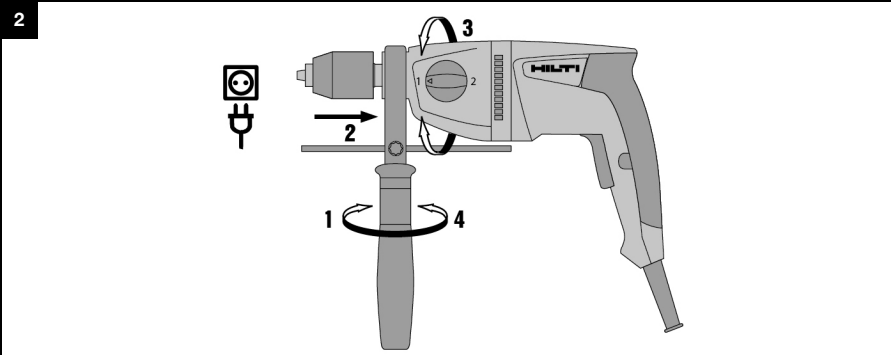




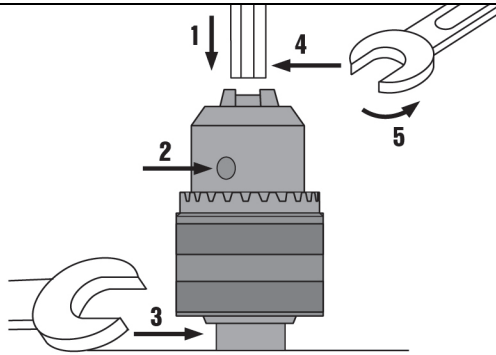
# UH 700

English	1
Français	11
Español	23
Português	35

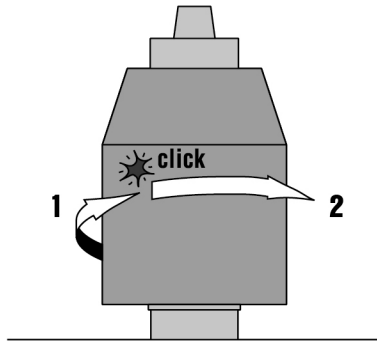




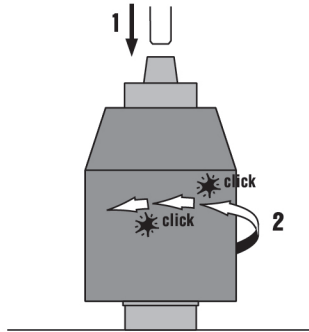
6



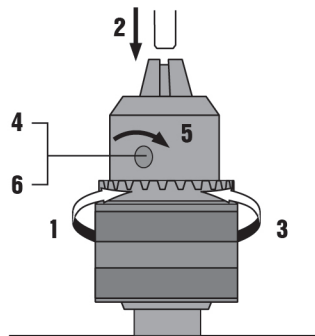
7



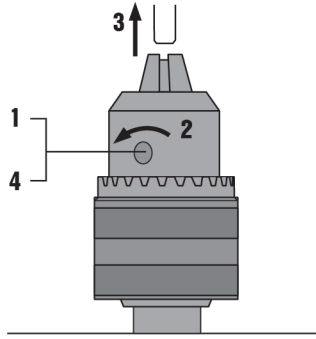
8



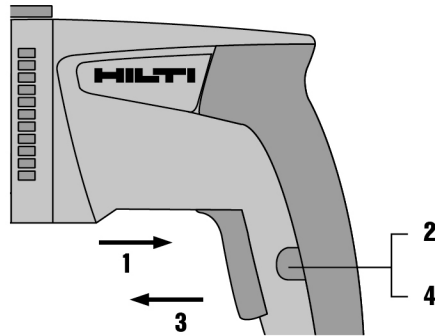
9



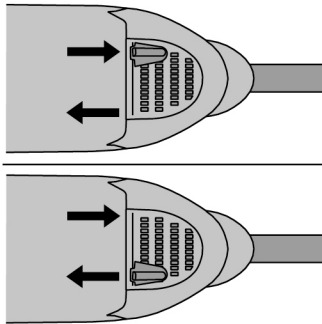
10



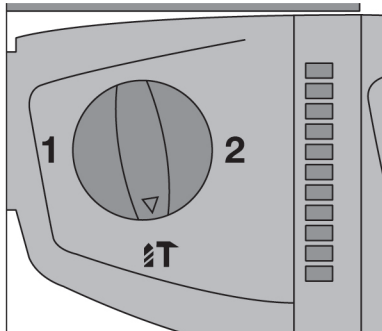
11

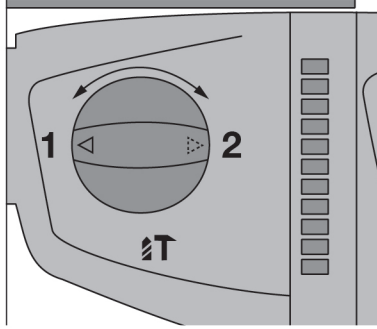


12



13





# UH 700

en	Original operating instructions . . . . .	1
fr	Mode d'emploi original . . . . .	11
es	Manual de instrucciones original . . . . .	23
pt	Manual de instruções original . . . . .	35





# Original operating instructions

## 1 Information about the documentation

### 1.1 About this documentation

- Read this documentation before initial operation or use. This is a prerequisite for safe, trouble-free handling and use of the product.
- Observe the safety instructions and warnings in this documentation and on the product.
- Always keep the operating instructions with the product and make sure that the operating instructions are with the product when it is given to other persons.

### 1.2 Explanation of symbols used

#### 1.2.1 Warnings

Warnings alert persons to hazards that occur when handling or using the product. The following signal words are used:

#### DANGER

##### DANGER !

- ▶ Draws attention to imminent danger that will lead to serious personal injury or fatality.

#### WARNING

##### WARNING !

- ▶ Draws attention to a potential threat of danger that can lead to serious injury or fatality.

#### CAUTION

##### CAUTION !

- ▶ Draws attention to a potentially dangerous situation that could lead to personal injury or damage to the equipment or other property.

#### 1.2.2 Symbols in the operating instructions

The following symbols are used in these operating instructions:

	Comply with the operating instructions
	Instructions for use and other useful information
	Dealing with recyclable materials
	Do not dispose of electric equipment and batteries as household waste

#### 1.2.3 Symbols in illustrations

The following symbols are used in illustrations:

	These numbers refer to the illustrations at the beginning of these operating instructions.
	The numbering reflects the sequence of operations shown in the illustrations and may deviate from the steps described in the text.
	Item reference numbers are used in the <b>overview illustration</b> and refer to the numbers used in the key in the <b>product overview</b> section.
	These characters are intended to specifically draw your attention to certain points when handling the product.



### 1.3 Product-dependent symbols

#### 1.3.1 Symbols on the product

The following symbols can be used on the product:

	Wear a hard hat
	Wear eye protection
	Wear light respiratory protection
	Wear ear protection
	Wear protective gloves
	Hammer drilling
1	Drilling without hammering, 1st gear
2	Drilling without hammering, 1st gear
A	Amps
Hz	Hertz
V	Volts
W	Watts
	Alternating current
	Double insulated
/min	Revolutions per minute
	If applied on the product, the product has been certified by this certification body for the US and Canadian markets according to the applicable standards.

### 1.4 Product information

products are designed for professional users and only trained, authorized personnel are permitted to operate, service and maintain the products. This personnel must be specifically informed about the possible hazards. The product and its ancillary equipment can present hazards if used incorrectly by untrained personnel or if used not in accordance with the intended use.

The type designation and serial number are printed on the rating plate.

- ▶ Write down the serial number in the table below. You will be required to state the product details when contacting Hilti Service or your local Hilti organization to inquire about the product.

#### Product information

Hammer drill	UH 700
Generation	01
Serial no.	

## 2 Safety

### 2.1 General power tool safety warnings

**⚠ WARNING** Read all safety warnings, instructions, illustrations and specifications provided with this power tool. Failure to follow all instructions listed below may result in electric shock, fire and/or serious injury. Save all warnings and instructions for future reference.



The term "power tool" in the warnings refers to your mains-operated (corded) power tool or battery-operated (cordless) power tool.

### Work area safety

- ▶ **Keep work area clean and well lit.** Cluttered or dark areas invite accidents.
- ▶ **Do not operate power tools in explosive atmospheres, such as in the presence of flammable liquids, gases or dust.** Power tools create sparks which may ignite the dust or fumes.
- ▶ **Keep children and bystanders away while operating a power tool.** Distractions can cause you to lose control.

### Electrical safety

- ▶ **Power tool plugs must match the outlet. Never modify the plug in any way. Do not use any adapter plugs with earthed (grounded) power tools.** Unmodified plugs and matching outlets will reduce risk of electric shock.
- ▶ **Avoid body contact with earthed or grounded surfaces, such as pipes, radiators, ranges and refrigerators.** There is an increased risk of electric shock if your body is earthed or grounded.
- ▶ **Do not expose power tools to rain or wet conditions.** Water entering a power tool will increase the risk of electric shock.
- ▶ **Do not abuse the cord. Never use the cord for carrying, pulling or unplugging the power tool. Keep cord away from heat, oil, sharp edges or moving parts.** Damaged or entangled cords increase the risk of electric shock.
- ▶ **When operating a power tool outdoors, use an extension cord suitable for outdoor use.** Use of a cord suitable for outdoor use reduces the risk of electric shock.
- ▶ **If operating a power tool in a damp location is unavoidable, use a residual current device (RCD) protected supply.** Use of an RCD reduces the risk of electric shock.

### Personal safety

- ▶ **Stay alert, watch what you are doing and use common sense when operating a power tool. Do not use a power tool while you are tired or under the influence of drugs, alcohol or medication.** A moment of inattention while operating power tools may result in serious personal injury.
- ▶ **Use personal protective equipment. Always wear eye protection.** Protective equipment such as a dust mask, non-skid safety shoes, hard hat or hearing protection used for appropriate conditions will reduce personal injuries.
- ▶ **Prevent unintentional starting. Ensure the switch is in the off-position before connecting to power source and/or battery pack, picking up or carrying the tool.** Carrying power tools with your finger on the switch or energising power tools that have the switch on invites accidents.
- ▶ **Remove any adjusting key or wrench before turning the power tool on.** A wrench or a key left attached to a rotating part of the power tool may result in personal injury.
- ▶ **Do not overreach. Keep proper footing and balance at all times.** This enables better control of the power tool in unexpected situations.
- ▶ **Dress properly. Do not wear loose clothing or jewellery. Keep your hair and clothing away from moving parts.** Loose clothes, jewellery or long hair can be caught in moving parts.
- ▶ **If devices are provided for the connection of dust extraction and collection facilities, ensure these are connected and properly used.** Use of dust collection can reduce dust-related hazards.
- ▶ **Do not let familiarity gained from frequent use of tools allow you to become complacent and ignore tool safety principles.** A careless action can cause severe injury within a fraction of a second.

### Power tool use and care

- ▶ **Do not force the power tool. Use the correct power tool for your application.** The correct power tool will do the job better and safer at the rate for which it was designed.
- ▶ **Do not use the power tool if the switch does not turn it on and off.** Any power tool that cannot be controlled with the switch is dangerous and must be repaired.
- ▶ **Disconnect the plug from the power source and/or remove the battery pack, if detachable, from the power tool before making any adjustments, changing accessories, or storing power tools.** Such preventive safety measures reduce the risk of starting the power tool accidentally.
- ▶ **Store idle power tools out of the reach of children and do not allow persons unfamiliar with the power tool or these instructions to operate the power tool.** Power tools are dangerous in the hands of untrained users.
- ▶ **Maintain power tools and accessories. Check for misalignment or binding of moving parts, breakage of parts and any other condition that may affect the power tool's operation. If damaged, have the power tool repaired before use.** Many accidents are caused by poorly maintained power tools.



- ▶ **Keep cutting tools sharp and clean.** Properly maintained cutting tools with sharp cutting edges are less likely to bind and are easier to control.
- ▶ **Use the power tool, accessories and tool bits etc. in accordance with these instructions, taking into account the working conditions and the work to be performed.** Use of the power tool for operations different from those intended could result in a hazardous situation.
- ▶ **Keep handles and grasping surfaces dry, clean and free from oil and grease.** Slippery handles and grasping surfaces do not allow for safe handling and control of the tool in unexpected situations.

#### Service

- ▶ **Have your power tool serviced by a qualified repair person using only identical replacement parts.** This will ensure that the safety of the power tool is maintained.

## 2.2 Drill safety warnings

### Safety instructions for all operations

- ▶ **Wear ear protectors when impact drilling.** Exposure to noise can cause hearing loss.
- ▶ **Use the auxiliary handle(s).** Loss of control can cause personal injury.
- ▶ **Hold the power tool by insulated gripping surfaces, when performing an operation where the cutting accessory may contact hidden wiring or its own cord.** Cutting accessory contacting a "live" wire may make exposed metal parts of the power tool "live" and could give the operator an electric shock.

### Safety instructions when using long drill bits

- ▶ **Never operate at higher speed than the maximum speed rating of the drill bit.** At higher speeds, the bit is likely to bend if allowed to rotate freely without contacting the workpiece, resulting in personal injury.
- ▶ **Always start drilling at low speed and with the bit tip in contact with the workpiece.** At higher speeds, the bit is likely to bend if allowed to rotate freely without contacting the workpiece, resulting in personal injury.
- ▶ **Apply pressure only in direct line with the bit and do not apply excessive pressure.** Bits can bend causing breakage or loss of control, resulting in personal injury.

## 2.3 Additional safety instructions

### Personal safety

- ▶ Use the product and accessories only when they are in perfect working order.
- ▶ Never tamper with or modify the product and accessories in any way.
- ▶ Always hold the product with both hands on the grips provided. Keep the grips dry, clean and free from oil and grease.
- ▶ Always lead the supply cord and extension cord away from the product to the rear while working. This helps to avoid tripping over the cord while working.
- ▶ Take frequent breaks and do physical exercises to improve the blood circulation in your fingers. High vibration during long periods of work can lead to disorders of the blood vessels and nervous system in the fingers, hands and wrists.
- ▶ Risk of injury by falling tools and/or accessories. Before starting work, check that installed accessories are secure.
- ▶ Wear eye protection, a hard hat and ear protection while the product is in use.
- ▶ Keep the air vents clear at all times. Risk of burn injuries due to blocked air vents!
- ▶ Dust produced by grinding, sanding, cutting and drilling can contain dangerous chemicals. Some examples are: lead or lead-based paints; brick, concrete and other masonry products, natural stone and other products containing silicates; certain types of wood, such as oak, beech and chemically treated wood; asbestos or materials that contain asbestos. Determine the exposure of the operator and bystanders by means of the hazard classification of the materials to be worked. Implement the necessary measures to restrict exposure to a safe level, for example by the use of a dust collection system or by the wearing of suitable respiratory protection. The general measures for reducing exposure include:
  - ▶ working in an area that is well ventilated,
  - ▶ avoidance of prolonged contact with dust,
  - ▶ directing dust away from the face and body,
  - ▶ wearing protective clothing and washing exposed areas of the skin with water and soap.
- ▶ The product is not intended for use by debilitated persons who have received no special training. Keep the product out of reach of children.
- ▶ Children are not permitted to play with the product and must be instructed accordingly.



### Electrical safety

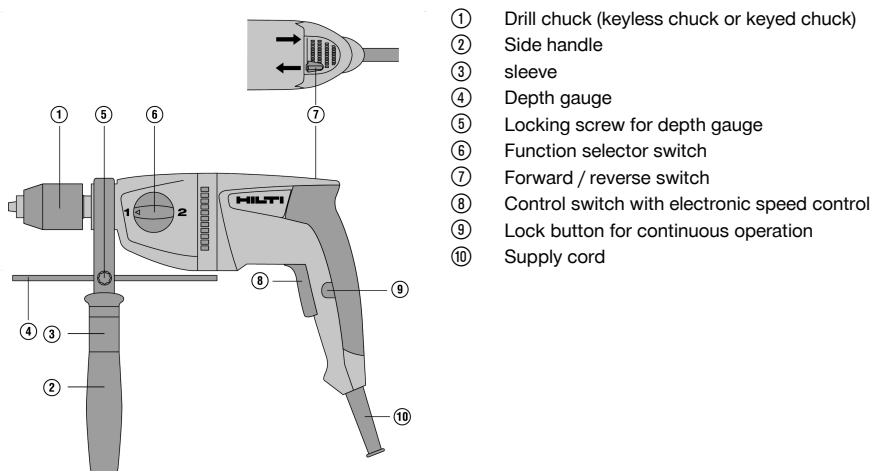
- ▶ Check the product's supply cord at regular intervals and have it replaced by a qualified specialist if found to be damaged. If the power tool's supply cord is damaged it must be replaced with a specially-prepared and approved supply cord available from Hilti Customer Service. Check extension cords at regular intervals and replace them if found to be damaged. Do not touch the supply cord or extension cord if it is damaged while working. Unplug the supply cord from the power outlet. Damaged supply cords or extension cords present a risk of electric shock.
- ▶ Before beginning work, check the working area for concealed electric cables or gas and water pipes. External metal parts of the product could give you an electric shock or cause an explosion if you accidentally damage an electric cable or a gas or water pipe.
- ▶ Switch the electric tool off and unplug the supply cord in the event of an interruption in the electric supply in order to avoid inadvertent restarting when the power returns.
- ▶ Dirty or dusty products that have been used frequently for work on conductive materials should be checked at regular intervals by **Hilti Service**. Dust, especially dust from conductive materials, or dampness on the surface of the product can, under unfavorable conditions, lead to electric shock.

### Power tool use and care

- ▶ Secure the workpiece. A workpiece clamped in a vice or secured by some other clamping devices is more secure than when held only by hand.
- ▶ Wear protective gloves when changing accessory tools as they get hot during use.

## 3 Description

### 3.1 Product overview



- ① Drill chuck (keyless chuck or keyed chuck)
- ② Side handle
- ③ sleeve
- ④ Depth gauge
- ⑤ Locking screw for depth gauge
- ⑥ Function selector switch
- ⑦ Forward / reverse switch
- ⑧ Control switch with electronic speed control
- ⑨ Lock button for continuous operation
- ⑩ Supply cord

### 3.2 Intended use

The product is a hand-held, corded hammer drill. It is suitable for hammer drilling, drilling, screwdriving and, under certain circumstances, stirring/mixing.

### 3.3 Possible misuse

- This product is not suitable for working on hazardous materials.
- This product is not suitable for working in a damp environment.

### 3.4 Items supplied

Hammer drill, side handle, depth gauge, chuck key, dust cap, operating instructions

Other system products approved for use with this product can be found at your local **Hilti Store** or at: [www.hilti.group](http://www.hilti.group)



### 3.5 Application with hammer action

Application with hammer action	Tool type	Dimensions 1st gear/2nd gear	Dimensions, hammer drilling
Hammer drilling in masonry	Cylindrical-shank drill bits with carbide cutting edge	—	≤ 16 mm (≤ 0.6 in)

### 3.6 Applications without hammer action

Applications	Tool type	Dimensions 1st gear	Dimensions 2nd gear
Drilling in metal	Cylindrical-shank drill bits	≤ 13 mm (≤ 0.5 in)	1.5 mm ... 8 mm (0.06 in ... 0.3 in)
	Stepped drill bits	≤ 35 mm (≤ 1.4 in)	≤ 8 mm (≤ 0.3 in)
Drilling in wood	Twist drill bits	≤ 30 mm (≤ 1.2 in)	≤ 30 mm (≤ 1.2 in)
	Forstner bits	≤ 45 mm (≤ 1.8 in)	≤ 40 mm (≤ 1.6 in)
	Hole saws	≤ 80 mm (≤ 3.1 in)	≤ 40 mm (≤ 1.6 in)
	Auger bits	≤ 30 mm (≤ 1.2 in)	—
	Spade bits (not self-tapping)	≤ 40 mm (≤ 1.6 in)	≤ 40 mm (≤ 1.6 in)
Mixing emulsion paint thin cement mortar, tile adhesive, gypsum plaster with mixing paddle	TE-MP 80	In 1st gear recommended	—
	TE-MP 110	In 1st gear recommended	—

## 4 Technical data



For details of the rated voltage, current, frequency and/or input power, refer to the power tool's country-specific type identification plate.

If the tool is powered by a generator or transformer, the generator or transformer's power output must be at least twice the rated input power shown on the rating plate of the tool. The operating voltage of the transformer or generator must always be within +5 % and -15 % of the rated voltage of the tool.

	UH 700
<b>Speed in 1st gear</b>	900 /min (15.0 Hz)
<b>Speed in 2nd gear</b>	2,500 /min (41.7 Hz)
<b>Maximum torque, 1st gear</b>	80 Nm (59 ftlb <sub>f</sub> )
<b>Maximum torque, 2nd gear</b>	29 Nm (21 ftlb <sub>f</sub> )
<b>Impact speed</b>	40,000 Nm (29,502 ftlb <sub>f</sub> )



	<b>UH 700</b>
<b>Diameter, chuck</b>	1.5 mm ... 13 mm (0.06 in ... 0.5 in)
<b>Tightening torque for change of chuck</b>	120 Nm (89 ftlb.)

## 5 Use of extension cords

### Using extension cords

#### **WARNING**

**A damaged supply cord presents a hazard!** Do not touch the supply cord or extension cord if damaged while working. Disconnect the supply cord plug from the power outlet.

- ▶ Check the appliance's supply cord at regular intervals and have it replaced by a qualified specialist if found to be damaged.
- 
- Use only extension cords of a type approved for the application and with conductors of adequate gauge (cross section). The power tool may otherwise suffer a drop in performance and the extension cord may overheat.
  - Check the extension cord for damage at regular intervals.
  - Replace damaged extension cords.
  - When working outdoors, use only extension cords that are approved and correspondingly marked for this application.

Information on recommended minimum conductor cross-sections and cable lengths is accessible via a link, in the form of a QR code, at the end of this document.

## 6 Preparations at the workplace

#### **CAUTION**

**Risk of injury!** Inadvertent starting of the product.

- ▶ Unplug the supply cord before making adjustments to the power tool or before changing accessories.

Observe the safety instructions and warnings in this documentation and on the product.

### 6.1 Fitting and adjusting the side handle

1. Release the side handle clamping band by turning the handle grip.

It is essential to ensure that the sleeve is fitted in the grip of the side handle.

2. Slide the side handle holder (clamping band) over the chuck and into the recess provided.
3. Set the side handle to the desired position in accordance with the detents.

**Make sure that the ribs of the clamping band are snug in the grooves on the gearing section.** Otherwise the side handle will no longer be able to transfer the torques generated by the tool.  
If the side handle slips because the drill bit stalls, check the positive lock/ribs on the gearing section.

4. Tighten the side handle holder (clamping band) by turning the handle grip.

### 6.2 Fitting and adjusting the depth gauge

1. Release the locking screw.
2. Slip the depth gauge into the opening provided for the purpose.
3. Adjust the depth gauge to the desired drilling depth.
4. Firmly tighten the locking screw.



### 6.3 Dust removal system (TE DRS-S)

- ▶ Install the dust extractor.



A dust removal system can be mounted on the depth gauge. The drilling fines are vacuumed off by a vacuum cleaner. For more information on operation and use of the dust removal system, see the separate operating instructions for the TE DRS-S.

### 6.4 Removing quick-release chuck

1. Engage a 17 mm open-ended wrench on the flats of the drive spindle.
2. Engage a 19 mm open-ended wrench on the hexagon of the quick-release chuck.
3. Turn counter-clockwise with the 19 mm open-ended wrench.
  - ▶ The quick-release chuck is unscrewed from the drive spindle.

### 6.5 Installing quick-release chuck

1. Screw the quick-release chuck on to the drive spindle as far as it will go by hand.
2. Engage a 17 mm open-ended wrench on the flats of the drive spindle.
3. Engage a 19 mm open-ended wrench on the hexagon of the quick-release chuck.
4. Tighten the quick-release chuck.

Technical data	
Tightening torque for change of chuck	120 Nm (89 ftlb <sub>s</sub> )

### 6.6 Removing keyed chuck

1. Insert a length of hexagonal steel rod into the keyed chuck.
2. Use the chuck key to secure the hexagonal steel rod in the chuck.
3. Engage a 17 mm open-ended wrench on the flats of the drive spindle.
4. Engage the hexagonal steel rod with a suitable open-ended wrench.
5. Turn counter-clockwise with the open-ended wrench.
  - ▶ The keyed chuck is unscrewed from the drive spindle.

### 6.7 Installing keyed chuck

1. Insert a length of hexagonal steel rod into the keyed chuck.
2. Use the chuck key to secure a hexagonal steel rod in the chuck.
3. Screw the keyed chuck on to the drive spindle as far as it will go by hand.
4. Engage a 17 mm open-ended wrench on the flats of the drive spindle.
5. Engage the hexagonal steel rod with a suitable wrench.
6. Tighten the keyed chuck.

Technical data	
Tightening torque for change of chuck	120 Nm (89 ftlb <sub>s</sub> )

### 6.8 Removing accessory tool from quick-release chuck

1. Turn the locking sleeve of the quick-release chuck counter-clockwise.



The lock disengages automatically with an audible click.

2. Continue turning the sleeve until the accessory tool disengages.

### 6.9 Inserting accessory tool into quick-release chuck

1. Open the quick-release chuck until you can insert the shank of the accessory tool.
2. Clamp the accessory tool by turning the sleeve clockwise until the quick-release chuck automatically engages.
  - ▶ Engagement is clearly audible as a series of clicks.





### 6.10 Inserting accessory tool into keyed chuck

1. Open the keyed chuck until you can insert the shank of the accessory tool.
2. Insert the accessory tool.
3. Close the keyed chuck by turning the gear ring.
4. Insert the chuck key into one of the holes in the keyed chuck.
5. Secure the accessory tool by turning the chuck key clockwise.
6. Remove the chuck key.

### 6.11 Removing accessory tool from keyed chuck

1. Insert the chuck key into one of the holes in the keyed chuck.
2. Turn the chuck key counter-clockwise to open the chuck.
3. Remove the accessory tool.
4. Remove the chuck key.

## 7 Types of work

### WARNING

**Damaged power cords are a safety hazard!** If the supply cord or extension cord is damaged while work is in progress, immediately disconnect the device and the cord from the electricity supply. Do not touch the damaged part of the cord.

- ▶ Regularly check all supply cords. Replace defective extension cords. Have damaged power cords replaced by a qualified specialist.

Use of a ground fault circuit interrupter (residual current device, RCD) with a maximum tripping current of 30 mA is recommended.

### 7.1 Switch sustained operation on and off

1. Press the control switch and hold it in this position.
2. Press and hold down the lockbutton.
3. Release the control switch.
4. Release the lockbutton.
5. To switch off continuous operation, press the control switch and then release it.

### 7.2 Control switch with electronic speed control

Speed can be controlled steplessly right up to maximum by varying how far the control switch is pressed in.


### 7.3 Setting forward or reverse rotation

#### CAUTION

**Risk of damage** Actuation while the tool is running may result in damage to the gearing.

- ▶ Do not operate the forward / reverse switch while the motor is running.
- ▶ Set the forward/reverse switch to the desired direction of rotation.

### 7.4 Hammer drilling

- ▶ Set the function selector switch to hammer drilling: .



It might be necessary to turn the spindle slightly.

### 7.5 Drilling, 1st and 2nd gears

- ▶ Set the function selector switch to position 1, "Drilling in first gear" or position 2, "Drilling in second gear".



It might be necessary to turn the spindle slightly.



## 7.6 Mixing

- ▶ Set the function selector switch to position 1, "Drilling in first gear".



It might be necessary to turn the spindle slightly.

## 7.7 Screwdriving

1. Set the forward/reverse switch to the desired direction of rotation.
2. Set the function selector switch to position 1, "Drilling in first gear" or position 2, "Drilling in second gear".



It might be necessary to turn the spindle slightly.

## 8 Care and maintenance



### WARNING

**Electric shock hazard!** Attempting care and maintenance with the supply cord connected to a power outlet can lead to severe injury and burns.

- ▶ Always unplug the supply cord before carrying out care and maintenance tasks.

### Care

- Carefully remove stubborn dirt from the tool.
- Clean the air vents carefully with a dry brush.
- Use only a slightly damp cloth to clean the casing. Do not use cleaning agents containing silicone as they can attack the plastic parts.

### Maintenance



### WARNING

**Danger of electric shock!** Improper repairs to electrical components may lead to serious injuries including burns.

- ▶ Repairs to the electrical section of the tool or appliance may be carried out only by trained electrical specialists.
- Check all visible parts and controls for signs of damage at regular intervals and make sure that they all function correctly.
- Do not operate the product if signs of damage are found or if parts malfunction. Have it repaired immediately by **Hilti Service**.
- After cleaning and maintenance, fit all guards or protective devices and check that they function correctly.



To help ensure safe and reliable operation, use only genuine Hilti spare parts and consumables. Spare parts, consumables and accessories approved by Hilti for use with the product can be found at your local **Hilti Store** or online at: [www.hilti.group](http://www.hilti.group).

## 9 Transport and storage

### Transport

- ▶ Do not transport this product with an accessory tool installed.
- ▶ Make sure that the equipment is held securely throughout all transport operations.
- ▶ After transporting, always check all visible parts and controls for signs of damage and make sure that they all function correctly.

### Storage

- ▶ Always store this product with the electric supply cable unplugged from the electricity supply.
- ▶ Store this product in a dry place, where it cannot be accessed by children or unauthorized persons.
- ▶ After a long period of storage, always check all visible parts and controls for signs of damage and make sure that they all function correctly.



## 10 Troubleshooting

Trouble or fault	Possible cause	Action to be taken
Product does not start.	Interruption in the electricity supply	▶ Plug in another electric tool or appliance and check whether it works.
	The supply cord or plug is defective.	▶ Have the parts checked by a trained electrical specialist and replaced if necessary.
	Electronic fault	▶ Have the parts checked by a trained electrical specialist and replaced if necessary.
Product does not develop full power.	The gauge (cross section) of the extension cord conductors is inadequate.	▶ Use an extension cord with an adequate conductor cross section.
	The control switch is not fully pressed.	▶ Press the control switch as far as it will go.
The drill bit makes no progress.	Product has been set to reverse rotation.	▶ Set the product to forward rotation.
	Drill bit blunt or damaged.	▶ Sharpen the drill bit or replace it.
Drill bit does not rotate.	Chuck not tightened securely.	▶ Tighten the chuck.

## 11 Disposal

Most of the materials from which **Hilti** tools and appliances are manufactured can be recycled. The materials must be correctly separated before they can be recycled. In many countries, your old tools, machines or appliances can be returned to **Hilti** for recycling. Ask **Hilti** Service or your Hilti representative for further information.



- ▶ Do not dispose of power tools, electronic equipment or batteries as household waste!

## 12 Manufacturer's warranty

- ▶ Please contact your local **Hilti** representative if you have questions about the warranty conditions.

## 13 Further information

For more information on operation, technology, environment and recycling, follow this link: [qr.hilti.com/manual/?id=273762](http://qr.hilti.com/manual/?id=273762)

This link is also to be found at the end of the operating instructions, in the form of a QR code.

# Mode d'emploi original

## 1 Indications relatives à la documentation

### 1.1 À propos de cette documentation

- Lire intégralement la présente documentation avant la mise en service. C'est la condition préalablement requise pour assurer la sécurité du travail et un maniement sans perturbations.
- Bien respecter les consignes de sécurité et les avertissements de la présente documentation ainsi que celles figurant sur le produit.
- Toujours conserver le mode d'emploi à proximité du produit et uniquement le transmettre à des tiers avec ce mode d'emploi.



## 1.2 Explication des symboles

### 1.2.1 Avertissements

Les avertissements attirent l'attention sur des dangers liés à l'utilisation du produit. Les termes de signalisation suivants sont utilisés :



#### DANGER !

- ▶ Pour un danger imminent qui peut entraîner de graves blessures corporelles ou la mort.



#### AVERTISSEMENT !

- ▶ Pour un danger potentiel qui peut entraîner de graves blessures corporelles ou la mort.



#### ATTENTION !

- ▶ Pour une situation potentiellement dangereuse pouvant entraîner des blessures corporelles ou des dégâts matériels.

### 1.2.2 Symboles dans le manuel d'utilisation

Les symboles suivants sont utilisés dans le présent manuel d'utilisation :

	Respecter le manuel d'utilisation
	Pour des conseils d'utilisation et autres informations utiles
	Maniement des matériaux recyclables
	Ne pas jeter les appareils électriques et les accus dans les ordures ménagères

### 1.2.3 Symboles dans les illustrations

Les symboles suivants sont utilisés dans les illustrations :

	Ces chiffres renvoient à l'illustration correspondante au début du présent manuel d'utilisation.
	La numérotation détermine la séquence des étapes de travail dans l'image et peut se différencier de celles des étapes de travail dans le texte.
	Les numéros de position sont utilisés dans l'illustration <b>Vue d'ensemble</b> et renvoient aux numéros des légendes dans la section <b>Vue d'ensemble du produit</b> .
	Ce signe doit inviter à manier le produit en faisant particulièrement attention.

## 1.3 Symboles spécifiques au produit

### 1.3.1 Symboles sur le produit

Les symboles suivants peuvent être utilisés sur le produit :

	Porter un casque de protection
	Porter des lunettes de protection
	Porter un masque respiratoire léger
	Porter un casque antibruit
	Porter des gants de protection



	Perçage à percussion
1	Perçage sans percussion 1ère vitesse
2	Perçage sans percussion 1ère vitesse
A	Ampère
Hz	Hertz
V	Volt
w	Watt
	Courant alternatif
	Double isolation
/min	Tours par minute
	Si présent sur le produit, c'est que le produit a été certifié conformément aux normes en vigueur par cet organisme de certification pour le marché nord-américain et canadien.

#### 1.4 Informations produit

Les produits sont destinés aux professionnels et ne doivent être utilisés, entretenus et réparés que par un personnel autorisé et formé. Ce personnel doit être spécialement instruit quant aux dangers inhérents à l'utilisation de l'appareil. Le produit et ses accessoires peuvent s'avérer dangereux s'ils sont utilisés de manière incorrecte par un personnel non qualifié ou de manière non conforme à l'usage prévu.

La désignation du modèle et le numéro de série figurent sur sa plaque signalétique.

- ▶ Inscrivez le numéro de série dans le tableau suivant. Les informations produit vous seront demandées lorsque vous contactez nos revendeurs ou services après-vente.

##### Caractéristiques produit

Perceuse à percussion	UH 700
Génération	01
N° de série	

## 2 Sécurité

### 2.1 Indications générales de sécurité pour les appareils électriques

**⚠ AVERTISSEMENT Lire toutes les consignes de sécurité et instructions, illustrations et caractéristiques techniques, qui accompagnent cet outil électroportatif.** Tout manquement à l'observation des instructions suivantes risque de provoquer une électrocution, un incendie et/ou de graves blessures.

**Les consignes de sécurité et instructions doivent être intégralement conservées pour les utilisations futures.**

La notion d'« outil électroportatif » mentionnée dans les consignes de sécurité se rapporte à des outils électriques raccordés au secteur (avec câble d'alimentation) et à des outils électriques sur accu (sans câble d'alimentation).

#### Sécurité sur le lieu de travail

- ▶ **Conserver la zone de travail propre et bien éclairée.** Un lieu de travail en désordre ou mal éclairé augmente le risque d'accidents.
- ▶ **Ne pas faire fonctionner les outils électriques en atmosphère explosive et où se trouvent des liquides, des gaz ou poussières inflammables.** Les outils électriques produisent des étincelles qui peuvent enflammer les poussières ou les fumées.
- ▶ **Maintenir les enfants et les personnes présentes à l'écart pendant l'utilisation de l'outil électroportatif.** En cas d'inattention il y a risque de perdre le contrôle de l'appareil.

#### Sécurité relative au système électrique

- ▶ **La fiche de secteur de l'outil électroportatif doit être adaptée à la prise de courant. Ne jamais modifier la fiche de quelque façon que ce soit. Ne pas utiliser d'adaptateurs avec des outils**



électriques à branchement de terre. Des fiches non modifiées et des prises de courant adaptées réduiront le risque de choc électrique.

- ▶ **Éviter le contact physique avec des surfaces mises à la terre tels que tuyaux, radiateurs, cuisinières et réfrigérateurs.** Il y a un risque élevé de choc électrique au cas où votre corps serait relié à la terre.
- ▶ **Ne pas exposer les outils électroportatifs à la pluie ou à l'humidité.** La pénétration d'eau à l'intérieur d'un outil électroportatif augmentera le risque d'un choc électrique.
- ▶ **Ne jamais utiliser le câble de raccordement à d'autres fins que celles prévues, telles que pour porter, accrocher ou débrancher l'outil électroportatif de la prise de courant. Maintenir le câble de raccordement à l'écart de la chaleur, des parties grasses, des bords tranchants ou des parties en mouvement.** Des câbles de raccordement endommagés ou emmêlés augmentent le risque de choc électrique.
- ▶ **Si l'outil électroportatif est utilisé à l'extérieur, utiliser uniquement des câbles de rallonge homologués pour les applications extérieures.** L'utilisation d'un câble de rallonge homologué pour les applications extérieures réduit le risque d'un choc électrique.
- ▶ **Si l'utilisation de l'outil électrique dans un environnement humide ne peut pas être évitée, utiliser un interrupteur de protection contre les courants de court-circuit.** L'utilisation d'un tel interrupteur de protection réduit le risque d'une décharge électrique.

### Sécurité des personnes

- ▶ **Rester vigilant, surveiller ce que l'on fait. Faire preuve de bon sens en utilisant l'outil électroportatif. Ne pas utiliser l'outil électroportatif en étant fatigué ou sous l'emprise de l'alcool, de drogues ou de médicaments.** Un moment d'inattention lors de l'utilisation de l'outil électroportatif peut entraîner des blessures graves.
- ▶ **Utiliser un équipement de protection personnel et toujours porter une protection pour les yeux.** Les équipements de protection personnels tels que masque antipoussière, chaussures de sécurité antidérapantes, casque de protection ou protection acoustique suivant l'utilisation de l'outil électroportatif, réduiront le risque de blessures des personnes.
- ▶ **Éviter une mise en service par mégarde. S'assurer que l'outil électroportatif est arrêté avant de le brancher à la source de courant et/ou à l'accu, de le prendre ou de le porter.** Le fait de porter l'outil électroportatif avec le doigt sur l'interrupteur ou de brancher l'appareil sur la source de courant lorsque l'interrupteur est en position de fonctionnement peut entraîner des accidents.
- ▶ **Retirer tout outil de réglage ou toute clé avant de mettre l'outil électroportatif en fonctionnement.** Une clé ou un outil se trouvant sur une partie en rotation peut causer des blessures.
- ▶ **Adopter une bonne posture. Veiller à toujours garder une position stable et équilibrée.** Cela permet un meilleur contrôle de l'outil électroportatif dans des situations inattendues.
- ▶ **S'habiller de manière adaptée. Ne pas porter de vêtements amples ni de bijoux. Garder les cheveux, les vêtements et les gants à distance des parties en mouvement.** Des vêtements amples, des bijoux ou des cheveux longs peuvent être happés par des parties en mouvement.
- ▶ **Si des dispositifs servant à aspirer ou à recueillir les poussières doivent être utilisés, s'assurer qu'ils sont effectivement raccordés et correctement utilisés.** L'utilisation d'un dispositif d'aspiration de la poussière peut réduire les risques dus aux poussières.
- ▶ **Ne pas sous-estimer les mesures de sécurité à prendre et ne pas ignorer sciemment les règles de sécurité applicables aux outils électriques, même si l'on est utilisateur chevronné après de fréquentes utilisations de l'outil électroportatif.** Un manque d'attention peut conduire à de graves blessures en quelques fractions de seconde.

### Utilisation et maniement de l'outil électroportatif

- ▶ **Ne pas forcer l'appareil. Utiliser l'outil électroportatif adapté au travail à effectuer.** Un outil électroportatif approprié réalisera mieux le travail et de manière plus sûre au régime pour lequel il a été conçu.
- ▶ **Ne pas utiliser d'outil électroportatif dont l'interrupteur est défectueux.** Tout outil électroportatif qui ne peut plus être mis en ou hors fonctionnement est dangereux et doit être réparé.
- ▶ **Débrancher la fiche de la prise de courant et/ou l'accu amovible avant d'effectuer des réglages sur l'appareil, de changer les accessoires, ou de ranger l'appareil.** Cette mesure de précaution empêche une mise en fonctionnement par mégarde de l'outil électroportatif.
- ▶ **Conserver les outils électroportatifs non utilisés hors de portée des enfants. Ne permettre l'utilisation de l'appareil à aucune personne qui ne soit pas familiarisée avec celui-ci ou qui n'a pas lu ces instructions.** Les outils électroportatifs sont dangereux lorsqu'ils sont entre les mains de personnes non initiées.
- ▶ **Prendre soin des outils électroportatifs et des accessoires. Vérifier que les parties en mouvement fonctionnent correctement et qu'elles ne sont pas coincées, et contrôler si des parties sont cassées ou endommagées de sorte que le bon fonctionnement de l'outil électroportatif s'en trouve**



**entravé. Faire réparer les parties endommagées avant d'utiliser l'appareil.** De nombreux accidents sont dus à des outils électroportatifs mal entretenus.

- ▶ **Garder les outils de coupe affûtés et propres.** Des outils destinés à couper correctement entretenus avec des arêtes de coupe tranchantes sont moins susceptibles de bloquer et sont plus faciles à contrôler.
- ▶ **L'outil électroportatif, les accessoires, les outils amovibles, etc. doivent être utilisés conformément à ces instructions. Tenir également compte des conditions de travail et du travail à réaliser.** L'utilisation des outils électroportatifs à d'autres fins que celles prévues peut entraîner des situations dangereuses.
- ▶ **Veiller à ce que les poignées et surfaces de préhension soient toujours être sèches, propres et exemptes de traces de graisse ou d'huile.** Avec des poignées et surfaces de préhension glissantes, la sécurité et le contrôle de l'outil électroportatif ne peuvent être assurés dans des situations inopinées.

#### Service

- ▶ **L'outil électroportatif doit uniquement être réparé par un personnel qualifié, utilisant exclusivement des pièces de rechange d'origine.** Ceci permet d'assurer la sécurité de l'outil électroportatif.

## 2.2 Indications de sécurité pour les perceuses

### Consignes de sécurité pour tous les travaux

- ▶ **Porter un casque antibruit lors du perçage à percussion.** Le bruit peut entraîner des pertes auditives.
- ▶ **Utiliser la poignée supplémentaire.** La perte de contrôle peut entraîner des blessures.
- ▶ **Tenir l'outil électroportatif par les surfaces isolées des poignées lors des travaux pendant lesquels l'outil amovible risque de toucher des câbles électriques cachés ou son propre cordon d'alimentation.** Le contact avec un câble sous tension risque de mettre les parties métalliques de l'appareil sous tension et de provoquer une décharge électrique.

### Consignes de sécurité lors de l'utilisation de la mèche longue

- ▶ **Ne jamais travailler avec une vitesse de rotation plus élevée que la vitesse de rotation maximale autorisée pour la mèche.** En cas de vitesse de rotation plus élevée, la mèche risque de se déformer légèrement si elle peut tourner librement sans contact avec la pièce travaillée et entraîner des blessures.
- ▶ **Toujours commencer l'opération de perçage à vitesse réduite et alors que la mèche est en contact avec la pièce travaillée.** En cas de vitesse de rotation plus élevée, la mèche risque de se déformer légèrement si elle peut tourner librement sans contact avec la pièce travaillée et entraîner des blessures.
- ▶ **Ne pas exercer de pression excessive et seulement dans le sens longitudinal.** Les mèches peuvent se tordre et donc se casser, ou il peut y avoir perte de contrôle de l'appareil ce qui entraîne un risque de blessures.

## 2.3 Consignes de sécurité supplémentaires

### Sécurité des personnes

- ▶ Utiliser le produit et les accessoires uniquement s'ils sont en parfait état.
- ▶ Ne jamais entreprendre de manipulation ni de modification sur le produit et les accessoires.
- ▶ Toujours tenir le produit des deux mains par les poignées prévues à cet effet. Veiller à ce que les poignées soient toujours sèches, propres et exemptes de traces de graisse et d'huile.
- ▶ Pendant le travail, toujours tenir le câble d'alimentation réseau et de rallonge à l'arrière du produit. Ceci permet d'éviter tout risque de chute en trébuchant sur le câble pendant le travail.
- ▶ Faire régulièrement des pauses et des exercices pour favoriser l'irrigation sanguine dans les doigts. En cas de travaux prolongés, les fortes vibrations peuvent perturber la circulation dans les vaisseaux sanguins ou le système nerveux dans les doigts, les mains ou le poignet.
- ▶ Risque de blessures dues à la chute d'outils et/ou d'accessoires. Avant de commencer à travailler, contrôler si l'accessoire monté est solidement fixé.
- ▶ Pendant l'utilisation du produit, porter des lunettes de protection, un casque de protection et un casque antibruit.
- ▶ Gardez toujours les ouïes d'aération dégagées. Risque de brûlures si les ouïes d'aération sont couvertes !



- ▶ La poussière générée par le meulage, le ponçage, le tronçonnage et le forage peut contenir des produits chimiques dangereux. Par exemple : plomb ou peinture à base de plomb ; brique, béton et autres produits de maçonnerie, pierre naturelle et autres produits contenant des silicates ; certains bois, tels que le chêne, le hêtre et le bois traité chimiquement ; amiante ou matériaux contenant de l'amiante. Déterminer l'exposition de l'opérateur et personnes se trouvant dans l'entourage en fonction de la classe de danger des matériaux traités. Prendre les mesures nécessaires pour maintenir l'exposition à un niveau sûr, par exemple en utilisant un système de collecte des poussières ou en portant une protection respiratoire appropriée. Mesures générales visant à réduire l'exposition :
  - ▶ Travailler dans un endroit bien ventilé
  - ▶ Éviter le contact prolongé avec la poussière
  - ▶ Faire en sorte que la poussière soit dirigée loin du visage et du corps
  - ▶ Porter des vêtements de protection et laver les zones exposées à l'eau et au savon
- ▶ Le produit n'est pas destiné à être utilisé par des personnes affaiblies sans encadrement. Tenir le produit à l'écart des enfants.
- ▶ Avertir les enfants et veiller à ce qu'ils ne jouent pas avec le produit.

### **Sécurité relative au système électrique**

- ▶ Contrôler régulièrement le câble de raccordement du produit et le faire remplacer par un spécialiste s'il est endommagé. Si le câble de raccordement de l'appareil électrique est endommagé, il doit être remplacé par un câble de raccordement spécialement préparé et autorisé, disponible auprès du service après-vente. Contrôler régulièrement les câbles de rallonge et les remplacer s'ils sont endommagés. Si le câble d'alimentation réseau ou de rallonge est endommagé pendant le travail, ne pas le toucher. Débrancher la fiche de la prise. Les cordons d'alimentation et câbles de rallonge endommagés représentent un danger d'électrocution.
- ▶ Avant d'entamer le travail, vérifier qu'il n'y a pas de câbles ou gaines électriques, tuyaux de gaz ou d'eau cachés dans la zone d'intervention. Les parties métalliques externes du produit peuvent provoquer un choc électrique ou une explosion si vous endommagez une ligne électrique, une conduite de gaz ou une conduite d'eau.
- ▶ En cas de coupure de courant, mettre l'interrupteur Marche / Arrêt de l'outil électroportatif sur Arrêt et débrancher la fiche de la prise de courant pour éviter toute mise en marche intempestive lorsque le courant est rétabli.
- ▶ En cas d'usinage fréquent de matériaux conducteurs, faire réviser les produits encrassés à intervalles réguliers par le S.A.V. **Hilti**. La poussière accumulée sur la surface du produit, en particulier celle produite par des matériaux conducteurs, ou l'humidité risquent, dans des conditions défavorables, de provoquer une décharge électrique.

### **Utilisation et emploi soigneux de l'outil électroportatif**

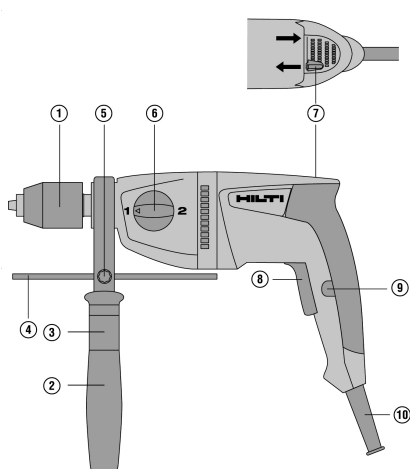
- ▶ Bien fixer la pièce. Il est plus sûr de maintenir une pièce à travailler à l'aide d'un dispositif de serrage ou d'un étau qu'à la main.
- ▶ Se munir de gants de protection pour changer d'outil, car l'appareil peut être très chaud après utilisation.





### 3 Description

#### 3.1 Vue d'ensemble du produit



- ① Mandrin (mandrin à serrage rapide ou mandrin de perçage à couronne dentée)
- ② Poignée latérale
- ③ Douille
- ④ Butée de profondeur
- ⑤ Vis de blocage de la butée de profondeur
- ⑥ Sélecteur de fonction
- ⑦ Inverseur du sens de rotation droite / gauche
- ⑧ Interrupteur de commande avec variateur de vitesse électronique
- ⑨ Bouton de blocage pour marche continue
- ⑩ Câble d'alimentation réseau

#### 3.2 Utilisation conforme à l'usage prévu

Le produit est une perceuse à percussion à guidage manuel, alimentée sur secteur. Elle convient pour le perçage à percussion, le perçage, le vissage et, dans certaines conditions, pour le mélange.

#### 3.3 Mauvaise utilisation possible

- Ce produit ne convient pas pour travailler des matériaux dangereux pour la santé.
- Ce produit n'est pas conçu pour travailler dans un environnement humide.

#### 3.4 Éléments livrés

Perceuse à percussion, poignée latérale, butée de profondeur, clé de mandrin, protection anti-poussière, mode d'emploi

D'autres produits système pour votre produit peuvent être trouvés dans votre **Hilti Store** ou à l'adresse : [www.hilti.group](http://www.hilti.group)

#### 3.5 Application avec percussion

Application avec percussion	Type d'outil	Dimensions 1ère vitesse/2e vitesse	Dimensions perçage à percussion
Perçage à percussion dans les ouvrages de maçonnerie	Mèche à queue cylindrique avec tranchant en métal dur	—	≤ 16 mm (≤ 0,6 in)

#### 3.6 Applications sans percussion

Applications	Type d'outil	Dimensions 1ère vitesse	Dimensions 2e vitesse
Perçage dans le métal	Mèche à queue cylindrique	≤ 13 mm (≤ 0,5 in)	1,5 mm ... 8 mm (0,06 in ... 0,3 in)
	Mèche à redans (step bit)	≤ 35 mm (≤ 1,4 in)	≤ 8 mm (≤ 0,3 in)



Perçage dans le bois	Mèche hélicoïdale	≤ 30 mm (≤ 1,2 in)	≤ 30 mm (≤ 1,2 in)
	Mèche à façonner	≤ 45 mm (≤ 1,8 in)	≤ 40 mm (≤ 1,6 in)
	Scies à cloche	≤ 80 mm (≤ 3,1 in)	≤ 40 mm (≤ 1,6 in)
	Mèche à simple spirale	≤ 30 mm (≤ 1,2 in)	—
	Mèche à fraiser plate (non autotaraudeuse)	≤ 40 mm (≤ 1,6 in)	≤ 40 mm (≤ 1,6 in)
Mélange de peinture de dispersion Mortier de ciment fluide, Colle à carrelage, Plâtre avec agitateur	TE-MP 80	1ère vitesse recommandée	—
	TE-MP 110	1ère vitesse recommandée	—

#### 4 Caractéristiques techniques

Les données de tension nominale, courant nominal, fréquence et / ou consommation nominale figurent sur la plaque signalétique spécifique au pays.

En cas d'utilisation avec un groupe électrogène ou un transformateur, leur puissance d'alimentation doit être au moins égale au double de la puissance indiquée sur la plaque signalétique de l'appareil. La tension de service du groupe électrogène ou du transformateur doit être toujours comprise entre +5 % et -15 % par rapport à la tension nominale de l'appareil.

	UH 700
<b>Vitesse de rotation 1ère vitesse</b>	900 tr/min (15,0 Hz)
<b>Vitesse de rotation 2ème vitesse</b>	2.500 tr/min (41,7 Hz)
<b>Couple de rotation maximal 1ère vitesse</b>	80 Nm (59 ftlb <sub>i</sub> )
<b>Couple de rotation maximal 2ème vitesse</b>	29 Nm (21 ftlb <sub>i</sub> )
<b>Cadence de percussion</b>	40.000 Nm (29.502 ftlb <sub>i</sub> )
<b>Diamètre du mandrin</b>	1,5 mm ... 13 mm (0,06 in ... 0,5 in)
<b>Couple de serrage lors du changement de mandrin</b>	120 Nm (89 ftlb <sub>i</sub> )

#### 5 Utilisation de rallonges électriques

##### Utilisation de rallonges électriques

##### AVERTISSEMENT

**Danger engendré par un câble endommagé !** Si le câble d'alimentation réseau ou de rallonge est endommagé pendant le travail, ne pas le toucher. Débrancher la prise.

► Contrôler régulièrement les câbles de raccordement de l'appareil et les faire remplacer par un spécialiste s'ils sont endommagés.

- Utiliser uniquement des rallonges homologuées pour le domaine d'utilisation concerné et de section suffisante. Sinon, une perte de puissance de l'appareil et une surchauffe du câble risquent de se produire.
- Vérifier régulièrement l'état de la rallonge électrique.
- Remplacer les rallonges électriques endommagées.



- À l'extérieur, n'utiliser que des rallonges homologuées et dotées du marquage adéquat.

Les sections minimales recommandées et les longueurs maximales de câbles se trouvent à la fin de la présente documentation, sous forme de code QR.

## 6 Préparatifs

### ATTENTION

**Risque de blessures !** Mise en marche inopinée du produit.

- ▶ Retirer la fiche de la prise avant d'effectuer des réglages sur l'appareil ou de changer les accessoires.

Bien respecter les consignes de sécurité et les avertissements de la présente documentation ainsi que celles figurant sur le produit.

### 6.1 Montage et réglage de la poignée latérale

1. Tourner le dispositif de serrage (collier de serrage) sur la poignée latérale pour desserrer.



Veiller impérativement à ce que la douille soit montée dans la poignée latérale.

2. Pousser le dispositif de serrage (collier de serrage) sur le porte-outil jusqu'à la rainure prévue à cet effet.
3. Placer la poignée latérale dans la position souhaitée en fonction des crans prévus.



**Veiller à ce que les nervures du collier de serrage s'engagent dans les rainures du collet de l'engrenage.** Sinon, les couples ne peuvent plus être absorbés par la poignée latérale.

Si la poignée latérale glisse dans le matériau support après un blocage, vérifier l'engagement positif/les nervures sur le collet de l'engrenage.

4. Tourner le dispositif de serrage (collier de serrage) sur la poignée latérale pour serrer.

### 6.2 Montage et ajustage de la butée de profondeur

1. Desserrer la vis de blocage.
2. Pousser la butée de profondeur dans l'ouverture prévue à cet effet.
3. Régler la butée de profondeur sur la profondeur de perçage souhaitée.
4. Visser la vis de blocage à fond.

### 6.3 Dispositif d'aspiration de la poussière (TE DRS-S)

- ▶ Monter le dispositif d'aspiration de la poussière.



Il est possible de monter un dispositif d'aspiration de la poussière sur la butée de profondeur. Les déblais de forage sont aspirés avec un aspirateur. De plus amples informations sur l'utilisation du dispositif d'aspiration de la poussière sont données dans le mode d'emploi séparé pour le TE DRS-S.

### 6.4 Démontage du mandrin auto-serrant

1. Placer une clé à fourche de 17 au niveau du méplat prévu sur la broche de l'appareil.
2. Placer une clé à fourche de 19 sur le six pans du mandrin auto-serrant.
3. Tourner avec la clé à fourche de 19 dans le sens inverse des aiguilles d'une montre.
  - ▶ Le mandrin auto-serrant est dévissé de la broche de l'appareil.

### 6.5 Montage du mandrin auto-serrant

1. Visser le mandrin auto-serrant à la main jusqu'en butée sur la broche de l'appareil.
2. Placer une clé à fourche de 17 au niveau du méplat prévu sur la broche de l'appareil.
3. Placer une clé à fourche de 19 sur le six pans du mandrin auto-serrant.



- Serrer le mandrin auto-serrant.

Caractéristiques techniques	
Couple de serrage lors du changement de mandrin	120 Nm (89 ftlb.)

## 6.6 Démontage du mandrin de perçage à couronne dentée 6

- Mettre un acier six pans dans le mandrin de perçage à couronne dentée.
- Serrer l'acier six pans avec la clé de mandrin.
- Placer une clé à fourche de 17 au niveau du méplat prévu sur la broche de l'appareil.
- Placer une clé à fourche appropriée sur l'acier six pans.
- Tourner avec la clé à fourche dans le sens inverse des aiguilles d'une montre.
  - Le mandrin de perçage à couronne dentée est dévissé de la broche de l'appareil.

## 6.7 Montage du mandrin de perçage à couronne dentée

- Mettre un acier six pans dans le mandrin de perçage à couronne dentée.
- Serrer un acier six pans avec la clé de mandrin.
- Visser le mandrin de perçage à couronne dentée à la main jusqu'en butée sur la broche de l'appareil.
- Placer une clé à fourche de 17 au niveau du méplat prévu sur la broche de l'appareil.
- Placer une clé appropriée sur l'acier six pans.
- Serrer le mandrin de perçage à couronne dentée.

Caractéristiques techniques	
Couple de serrage lors du changement de mandrin	120 Nm (89 ftlb.)

## 6.8 Retrait de l'outil du mandrin auto-serrant 7

- Tourner la douille de verrouillage du mandrin auto-serrant dans le sens inverse des aiguilles d'une montre.



Le verrouillage se desserre automatiquement avec un clic audible.

- Continuer de tourner la douille jusqu'à ce que l'outil se détache.

## 6.9 Mise en place de l'outil dans le mandrin auto-serrant 8

- Ouvrir le mandrin auto-serrant jusqu'à ce que la tige de l'outil puisse être mise en place.
- Serrer l'outil en tournant la douille dans le sens des aiguilles d'une montre jusqu'à ce que le mandrin auto-serrant s'enclenche automatiquement.
  - L'enclenchement est nettement perceptible par plusieurs clics audibles.

## 6.10 Mise en place de l'outil dans le mandrin de perçage à couronne dentée 9

- Ouvrir le mandrin de perçage à couronne dentée jusqu'à ce que la tige de l'outil puisse être mise en place.
- Insérer l'outil.
- Fermer le mandrin de perçage à couronne dentée en tournant la couronne dentée.
- Introduire la clé de mandrin dans un alésage du mandrin de perçage à couronne dentée.
- Tourner la clé de mandrin dans le sens des aiguilles d'une montre pour fixer l'outil.
- Retirer la clé de mandrin.

## 6.11 Retrait de l'outil du mandrin de perçage à couronne dentée 10

- Introduire la clé de mandrin dans un alésage du mandrin de perçage à couronne dentée.
- Tourner la clé de mandrin dans le sens inverse des aiguilles d'une montre pour ouvrir.
- Extraire l'outil.
- Retirer la clé de mandrin.



## 7 Travail

### **AVERTISSEMENT**

**Danger engendré par un câble endommagé !** Si le câble d'alimentation ou de rallonge est endommagé en cours de travail, débrancher immédiatement l'appareil et le câble du réseau. Ne pas toucher aux pièces défectueuses !

- ▶ Contrôler régulièrement les câbles de branchement. Remplacer les câbles de rallonge défectueux. Les câbles d'alimentation défectueux doivent être remplacés par un professionnel agréé.

Par principe, il est recommandé d'utiliser un interrupteur de protection contre les courants de court-circuit (RCD) avec un courant de déclenchement maximal de 30 mA.

### 7.1 Activation/Désactivation de la marche continue

1. Appuyer sur le variateur électronique de vitesse et le maintenir enfoncé.
2. Appuyer sur le bouton de blocage et le maintenir enfoncé.
3. Relâcher le variateur électronique de vitesse.
4. Relâcher le bouton de blocage.
5. Pour désactiver le mode de fonctionnement en continu, appuyer sur le variateur électronique de vitesse et le relâcher.

### 7.2 Interrupteur de commande avec variateur de vitesse électronique

La vitesse de rotation est augmentée progressivement jusqu'à sa valeur maximale selon la pression exercée sur le variateur électronique de vitesse.

### 7.3 Sélection du sens de rotation droite / gauche

#### **ATTENTION**

**Risque d'endommagement** L'actionnement en cours de fonctionnement risque d'endommager le réducteur.

- ▶ L'inverseur du sens de rotation droite / gauche ne doit pas être tourné pendant le fonctionnement.
- ▶ Régler l'inverseur du sens de rotation droite / gauche sur le sens de rotation souhaité.

### 7.4 Perçage avec percussion

- ▶ Régler le sélecteur de fonction sur perçage à percussion :



Ce faisant, il peut être nécessaire de tourner légèrement la broche.

### 7.5 Perçage 1ère et 2ème vitesse

- ▶ Tourner le sélecteur de fonction sur la position 1 "Perçage en 1ère vitesse" ou sur la position 2 "Perçage en 2ème vitesse".



Ce faisant, il peut être nécessaire de tourner légèrement la broche.

### 7.6 Mélange

- ▶ Tourner le sélecteur de fonction sur la position 1 "Perçage en 1ère vitesse".



Ce faisant, il peut être nécessaire de tourner légèrement la broche.

### 7.7 Vissages

1. Régler l'inverseur du sens de rotation droite / gauche sur le sens de rotation souhaité.



2. Tourner le sélecteur de fonction sur la position 1 "Perçage en 1ère vitesse" ou sur la position 2 "Perçage en 2ème vitesse".



Ce faisant, il peut être nécessaire de tourner légèrement la broche.

## 8 Nettoyage et entretien



### AVERTISSEMENT

**Danger d'électrocution !** Les travaux de nettoyage et d'entretien effectués avec fiche branchée à la prise peuvent entraîner de graves blessures ou brûlures.

- ▶ Toujours retirer la fiche de la prise avant tous travaux de nettoyage et d'entretien !

### Nettoyage

- Éliminer prudemment les saletés récalcitrantes.
- Nettoyer les ouïes d'aération avec précaution au moyen d'une brosse sèche.
- Nettoyer le boîtier uniquement avec un chiffon légèrement humidifié. Ne pas utiliser de nettoyants à base de silicone, ceci pourrait attaquer les pièces en plastique.

### Entretien



### AVERTISSEMENT

**Risque d'électrocution !** Des réparations inappropriées sur des composants électriques peuvent entraîner de graves blessures corporelles et brûlures.

- ▶ Toute réparation des pièces électriques ne doit être effectuée que par un électricien qualifié.
- Vérifier régulièrement qu'aucune pièce visible n'est endommagée et que les organes de commande sont parfaitement opérationnels.
- En cas d'endommagements et/ou de dysfonctionnements, ne pas utiliser le produit. Le faire immédiatement réparer par le S.A.V. **Hilti**.
- Après des travaux de nettoyage et d'entretien, vérifier si tous les équipements de protection sont bien en place et fonctionnent parfaitement.



Pour une utilisation en toute sécurité, utiliser uniquement des pièces de rechange et consommables d'origine. Vous trouverez les pièces de rechange, consommables et accessoires autorisés convenant pour votre produit dans le centre **Hilti Store** ou sous : [www.hilti.group](http://www.hilti.group).

## 9 Transport et entreposage

### Transport

- ▶ Ne jamais transporter ce produit avec outil monté.
- ▶ Veiller à le tenir fermement pendant le transport.
- ▶ Vérifier après chaque transport qu'aucune pièce visible n'est endommagée et que les organes de commande sont parfaitement opérationnels.

### Stockage

- ▶ Toujours stocker l'appareil avec la fiche secteur débranchée.
- ▶ Stocker cet appareil à l'état sec hors de portée des enfants et des personnes non autorisées.
- ▶ Vérifier après un stockage prolongé qu'aucune pièce visible n'est endommagée et que les organes de commande sont parfaitement opérationnels.

## 10 Guide de dépannage

Défaillance	Causes possibles	Solution
Le produit ne se met pas en marche.	Alimentation par secteur interrompue	▶ Brancher un autre appareil électrique et vérifier s'il fonctionne.
	Le câble d'alimentation réseau ou le connecteur est défectueux.	▶ Faire vérifier par un électricien et, si nécessaire, remplacer.
	Défaut électronique	▶ Faire vérifier par un électricien et, si nécessaire, remplacer.



Défaillance	Causes possibles	Solution
Le produit n'atteint pas la pleine puissance.	La section du câble de rallonge n'est pas suffisante.	► Utiliser un câble de rallonge de section suffisante.
	Le variateur électronique de vitesse n'est pas complètement enfoncé.	► Enfoncer le variateur électronique de vitesse jusqu'en butée.
La mèche ne perce pas.	Le produit est réglé sur le sens de rotation à gauche.	► Commuter le produit sur le sens de rotation à droite.
	La mèche est émoussée ou endommagée.	► Affûter la mèche ou la remplacer.
La mèche ne tourne pas.	Le mandrin n'est pas serré à fond.	► Resserrer le mandrin.

## 11 Recyclage

Les appareils **Hilti** sont fabriqués pour une grande partie en matériaux recyclables. Le recyclage présuppose un tri adéquat des matériaux. **Hilti** reprend les appareils usagés dans de nombreux pays en vue de leur recyclage. Consulter le service clients **Hilti** ou un conseiller commercial.



- Ne pas jeter les appareils électriques, électroniques et accus dans les ordures ménagères !

## 12 Garantie constructeur

- En cas de questions sur les conditions de garantie, veuillez vous adresser à votre partenaire **Hilti** local.

## 13 Informations complémentaires

Des informations complémentaires concernant l'utilisation, la technique, l'environnement et le recyclage sont disponibles sous le lien ci-dessous : [qr.hilti.com/manual/?id=273762](http://qr.hilti.com/manual/?id=273762)

Ce lien figure également à la fin du mode d'emploi sous forme de code QR.

# Manual de instrucciones original

## 1 Información sobre la documentación

### 1.1 Acerca de esta documentación

- Lea detenidamente esta documentación antes de la puesta en servicio. Ello es imprescindible para un trabajo seguro y un manejo sin problemas.
- Respete las indicaciones de seguridad y las advertencias presentes en esta documentación y en el producto.
- Conserve este manual de instrucciones siempre junto con el producto y entregue el producto a otras personas siempre acompañado del manual.

### 1.2 Explicación de símbolos

#### 1.2.1 Avisos

Las advertencias de seguridad advierten de peligros derivados del manejo del producto. Se utilizan las siguientes palabras de peligro:



**PELIGRO**

**PELIGRO !**

- Término utilizado para un peligro inminente que puede ocasionar lesiones graves o incluso la muerte.



**ADVERTENCIA**

**ADVERTENCIA !**

- Término utilizado para un posible peligro que puede ocasionar lesiones graves o incluso la muerte.



273762

Español

23

**⚠ PRECAUCIÓN**

**PRECAUCIÓN !**

► Término utilizado para una posible situación peligrosa que puede ocasionar lesiones o daños materiales.

**1.2.2 Símbolos en el manual de instrucciones**

En este manual de instrucciones se utilizan los siguientes símbolos:

	Consulte el manual de instrucciones
	Indicaciones de uso y demás información de interés
	Manejo con materiales reutilizables
	No tirar las herramientas eléctricas y las baterías junto con los desperdicios domésticos

**1.2.3 Símbolos en las figuras**

En las figuras se utilizan los siguientes símbolos:

<b>2</b>	Estos números hacen referencia a la figura correspondiente incluida al principio de este manual de instrucciones.
3	La numeración describe el orden de los pasos de trabajo en la imagen y puede ser diferente de los pasos descritos en el texto.
<b>11</b>	En la figura <b>Vista general</b> se utilizan números de posición y los números de la leyenda están explicados en el apartado <b>Vista general del producto</b> .
	Preste especial atención a este símbolo cuando utilice el producto.

**1.3 Símbolos del producto**

**1.3.1 Símbolos en el producto**

En el producto se pueden utilizar los siguientes símbolos:

	Utilizar casco de protección
	Utilizar protección para los ojos
	Utilizar mascarilla ligera
	Utilizar protección para los oídos
	Utilizar guantes de protección
	Taladrar con percusión
1	Taladrar sin percusión, 1.ª velocidad
2	Taladrar sin percusión, 1.ª velocidad
A	Amperios
Hz	Hercios
V	Voltio
W	Vatios
	Corriente alterna





	Aislamiento doble
/min	Revoluciones por minuto
	Si está en el producto, significa que el organismo de certificación lo ha certificado para el mercado estadounidense y canadiense según las normas vigentes.

## 1.4 Información del producto

Los productos han sido diseñados para usuarios profesionales y solo personal autorizado y debidamente formado puede utilizarlos y llevar a cabo su mantenimiento y conservación. Este personal debe estar especialmente instruido en lo referente a los riesgos de uso. La utilización del producto y sus dispositivos auxiliares puede conllevar riesgos para el usuario en caso de manejarse de forma inadecuada por personal no cualificado o utilizarse para usos diferentes a los que están destinados.

La denominación del modelo y el número de serie están indicados en la placa de identificación.

- ▶ Escriba el número de serie en la siguiente tabla. Necesitará los datos del producto para realizar consultas a nuestros representantes o al Departamento de Servicio Técnico.

### Datos del producto

Taladradora de percusión	UH 700
Generación	01
N.º de serie	

## 2 Seguridad

### 2.1 Indicaciones generales de seguridad para herramientas eléctricas

**⚠ ADVERTENCIA** Lea con atención todas las indicaciones de seguridad, instrucciones, ilustraciones y datos técnicos correspondientes a esta herramienta eléctrica. La negligencia en el cumplimiento de las instrucciones que se describen a continuación podría provocar descargas eléctricas, incendios o lesiones graves.

**Conservar todas las instrucciones e indicaciones de seguridad para futuras consultas.**

El término «herramienta eléctrica» empleado en las indicaciones de seguridad se refiere a herramientas eléctricas portátiles, ya sea con cable de red o sin cable, en caso de ser accionadas por batería.

#### Seguridad en el puesto de trabajo

- ▶ **Mantenga su área de trabajo limpia y bien iluminada.** El desorden o una iluminación deficiente de las zonas de trabajo pueden provocar accidentes.
- ▶ **No utilice la herramienta eléctrica en un entorno con peligro de explosión en el que se encuentren líquidos, gases o polvos inflamables.** Las herramientas eléctricas producen chispas que pueden llegar a inflamar los materiales en polvo o vapores.
- ▶ **Mantenga alejados a los niños y otras personas de su puesto de trabajo al emplear la herramienta eléctrica.** Una distracción le puede hacer perder el control sobre la herramienta.

#### Seguridad eléctrica

- ▶ **El enchufe de la herramienta eléctrica debe corresponder a la toma de corriente utilizada. No se deberá modificar el enchufe en forma alguna. No utilice enchufes adaptadores para las herramientas eléctricas con puesta a tierra.** Los enchufes sin modificar adecuados a las respectivas tomas de corriente reducen el riesgo de descarga eléctrica.
- ▶ **Evite el contacto corporal con superficies que tengan puesta a tierra, como pueden ser tubos, calefacciones, cocinas y frigoríficos.** El riesgo a quedar expuesto a una sacudida eléctrica es mayor si su cuerpo tiene contacto con tierra.
- ▶ **No exponga las herramientas eléctricas a la lluvia y evite que penetren líquidos en su interior.** El riesgo de recibir descargas eléctricas aumenta si penetra agua en la herramienta eléctrica.
- ▶ **No utilice el cable de conexión para transportar o colgar la herramienta eléctrica ni tire de él para extraer el enchufe de la toma de corriente. Mantenga el cable de conexión alejado de fuentes de calor, aceite, aristas afiladas o piezas móviles.** Los cables de conexión dañados o enredados pueden provocar descargas eléctricas.
- ▶ **Cuando trabaje al aire libre con una herramienta eléctrica, utilice exclusivamente un alargador adecuado para exteriores.** La utilización de un alargador adecuado para su uso en exteriores evita el riesgo de una descarga eléctrica.



- ▶ Cuando no pueda evitarse el uso de la herramienta eléctrica en un entorno húmedo, utilice un interruptor de corriente de defecto. La utilización de un interruptor de corriente de defecto evita el riesgo de una descarga eléctrica.

#### Seguridad de las personas

- ▶ Permanezca atento, preste atención durante el trabajo y utilice la herramienta eléctrica con prudencia. No utilice una herramienta eléctrica si está cansado, ni tampoco después de haber consumido alcohol, drogas o medicamentos. Un momento de descuido al utilizar la herramienta eléctrica podría producir graves lesiones.
- ▶ Utilice el equipo de seguridad personal adecuado y lleve siempre gafas protectoras. El riesgo de lesiones se reduce considerablemente si, según el tipo y la aplicación de la herramienta eléctrica empleada, se utiliza un equipo de seguridad personal adecuado como una mascarilla antipolvo, zapatos de seguridad con suela antideslizante, casco de protección o protección para los oídos.
- ▶ Evite una puesta en servicio fortuita de la herramienta. Asegúrese de que la herramienta eléctrica está apagada antes de alzarla, transportarla, conectarla a la toma de corriente o insertar la batería. Si transporta la herramienta eléctrica sujetándola por el interruptor de conexión/desconexión o si introduce el enchufe en la toma de corriente con la herramienta conectada, podría producirse un accidente.
- ▶ Retire las herramientas de ajuste o llaves fijas antes de conectar la herramienta eléctrica. Una herramienta o llave colocada en una pieza giratoria puede producir lesiones al ponerse en funcionamiento.
- ▶ Evite adoptar posturas forzadas. Procure que la postura sea estable y manténgase siempre en equilibrio. De esta forma podrá controlar mejor la herramienta eléctrica en caso de presentarse una situación inesperada.
- ▶ Utilice ropa adecuada. No utilice vestimenta amplia ni joyas. Mantenga su pelo, vestimenta y guantes alejados de las piezas móviles. La vestimenta suelta, las joyas y el pelo largo se pueden enganchar con las piezas en movimiento.
- ▶ Siempre que sea posible montar equipos de aspiración o captación de polvo, asegúrese de que están conectados y de que se utilizan correctamente. El uso de un sistema de aspiración de polvo reduce los riesgos derivados del polvo.
- ▶ No se crea a salvo de cualquier riesgo ni pase por alto ninguna de las normas de seguridad relativas a las herramientas eléctricas, aun cuando esté familiarizado con la herramienta eléctrica y tenga larga experiencia en su uso. Una actuación negligente puede provocar lesiones graves en cuestión de segundos.

#### Uso y manejo de la herramienta eléctrica

- ▶ No sobrecargue la herramienta. Utilice la herramienta eléctrica adecuada para el trabajo que se dispone a realizar. Con la herramienta eléctrica apropiada podrá trabajar mejor y de modo más seguro dentro del margen de potencia indicado.
- ▶ No utilice herramientas eléctricas con el interruptor defectuoso. Las herramientas eléctricas que no se puedan conectar o desconectar son peligrosas y deben repararse.
- ▶ Extraiga el enchufe de la toma de corriente o retire la batería extraíble antes de efectuar cualquier ajuste en la herramienta, cambiar accesorios o en caso de no utilizar la herramienta durante un tiempo prolongado. Esta medida preventiva evita el riesgo de arranque accidental de la herramienta eléctrica.
- ▶ Guarde las herramientas eléctricas que no utilice fuera del alcance de los niños. No permita utilizar la herramienta a ninguna persona que no esté familiarizada con ella o que no haya leído este manual de instrucciones. Las herramientas eléctricas utilizadas por personas inexpertas son peligrosas.
- ▶ Cuide su herramienta eléctrica y los accesorios adecuadamente. Compruebe si las piezas móviles de la herramienta funcionan correctamente y sin atascarse, y si existen piezas rotas o deterioradas que pudieran afectar al funcionamiento de la herramienta eléctrica. Encargue la reparación de las piezas defectuosas antes de usar la herramienta eléctrica. Muchos accidentes son consecuencia de un mantenimiento inadecuado de la herramienta eléctrica.
- ▶ Mantenga los útiles limpios y afilados. Las herramientas de corte bien cuidadas y con aristas afiladas se atascan menos y se guían con más facilidad.
- ▶ Utilice la herramienta eléctrica, los accesorios, útiles de inserción, etc., de acuerdo con estas instrucciones. Para ello, tenga en cuenta las condiciones de trabajo y la tarea que se va a realizar. El uso de herramientas eléctricas para trabajos diferentes de aquellos para los que han sido concebidas puede resultar peligroso.
- ▶ Mantenga las empuñaduras y las superficies de contacto secas, limpias y sin residuos de aceite o grasa. Las empuñaduras y superficies de contacto resbaladizas impiden manejar y controlar la herramienta eléctrica con seguridad en situaciones imprevistas.



## Servicio Técnico

- ▶ **Solicite que un profesional lleve a cabo la reparación de su herramienta eléctrica y que utilice exclusivamente piezas de repuesto originales.** Solamente así se garantiza la seguridad de la herramienta eléctrica.

## 2.2 Indicaciones de seguridad para taladradoras

### Indicaciones de seguridad para todos los trabajos

- ▶ **Utilice protección para los oídos al taladrar con percusión.** El ruido constante puede reducir la capacidad auditiva.
- ▶ **Utilice la empuñadura adicional.** La pérdida del control puede causar lesiones.
- ▶ **Sujete la herramienta eléctrica por las empuñaduras aisladas cuando realice trabajos en los que el útil de inserción pueda entrar en contacto con cables eléctricos ocultos o con el propio cable de conexión de la herramienta.** El contacto con los cables conductores puede traspasar la conductividad a las partes metálicas y producir descargas eléctricas.

### Indicaciones de seguridad al utilizar la broca larga

- ▶ **No trabaje en ningún caso con una velocidad superior a la velocidad máxima permitida de la broca.** A velocidades elevadas, la broca se puede doblar un poco si gira libremente sin entrar en contacto con la pieza de trabajo, lo que puede provocar lesiones.
- ▶ **Inicie el proceso de perforación siempre con velocidad baja y mientras la broca esté en contacto con la pieza de trabajo.** A velocidades elevadas, la broca se puede doblar un poco si gira libremente sin entrar en contacto con la pieza de trabajo, lo que puede provocar lesiones.
- ▶ **No aplique una presión excesiva y solo en sentido longitudinal respecto a la broca.** Las brocas pueden doblarse y, por consiguiente, romperse o provocar la pérdida del control e incluso lesiones.

## 2.3 Indicaciones de seguridad adicionales

### Seguridad de las personas

- ▶ Utilice el producto y los accesorios solo si están en perfecto estado técnico.
- ▶ No efectúe nunca manipulaciones o modificaciones en el producto ni en los accesorios.
- ▶ Sujete siempre el producto con ambas manos por las empuñaduras previstas. Mantenga las empuñaduras secas, limpias y sin residuos de aceite o grasa.
- ▶ Retire siempre hacia atrás el cable eléctrico y el alargador durante el trabajo. De esta forma se evita el peligro de tropiezo por culpa del cable.
- ▶ Efectúe a menudo pausas y ejercicios para mejorar la circulación de los dedos. Tras muchas horas de trabajo expuesto a las vibraciones intensas, pueden surgir complicaciones en los vasos sanguíneos o en el sistema nervioso en dedos, manos o articulaciones de las manos.
- ▶ - Riesgo de lesiones en caso de caída de herramientas o accesorios. Antes de iniciar el trabajo, compruebe que los accesorios montados estén bien fijados.
- ▶ Cuando utilice el producto, lleve protección para los ojos, casco de protección y protección para los oídos.
- ▶ Mantenga siempre las rejillas de ventilación despejadas. Riesgo de quemaduras debido a rejillas de ventilación cubiertas.
- ▶ El polvo que se genera al pulir, lijar, cortar y taladrar puede contener productos químicos peligrosos, como, por ejemplo, plomo o pinturas basadas en plomo; ladrillos, hormigón y otros productos de mampostería, piedra natural y otros productos que contengan silicatos; determinadas maderas, como el roble o el haya o las maderas tratadas químicamente, o amianto o materiales que contengan asbesto. La exposición del usuario y las personas circundantes debe regularse según la clase de peligro de los materiales con los que se trabaje. Tome las medidas necesarias para mantener la exposición a un nivel seguro, p. ej., mediante el uso de un sistema de recogida de polvo o una mascarilla adecuada. Las medidas genéricas para reducir la exposición son, entre otras:
  - ▶ trabajar en un espacio bien ventilado;
  - ▶ evitar el contacto prolongado con el polvo;
  - ▶ desviar el polvo de la cara y el cuerpo;
  - ▶ usar prendas protectoras y lavar con agua y jabón las zonas expuestas.
- ▶ El producto no es adecuado para personas con poca fuerza a las que no se haya instruido. Mantenga el producto fuera del alcance de los niños.
- ▶ Es conveniente advertir a los niños de que no deben jugar con el producto.



### Seguridad eléctrica

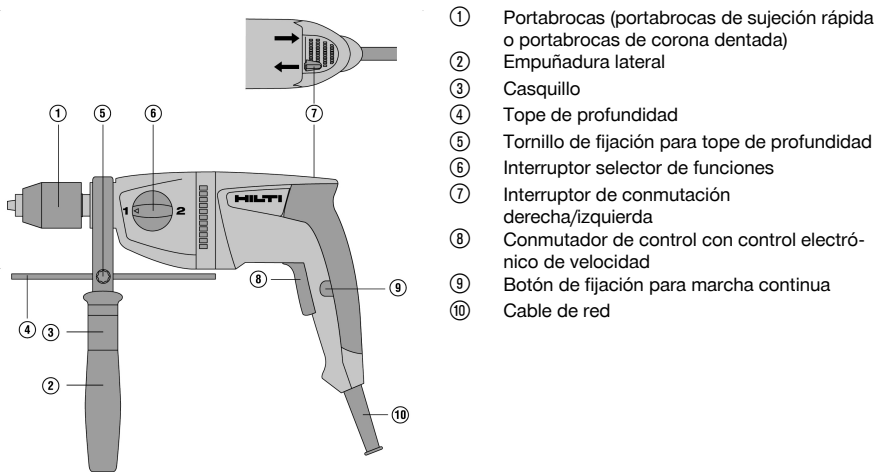
- ▶ Compruebe con regularidad el cable de conexión del producto y, en caso de que presente daños, encargue su sustitución a un profesional experto en la materia. Si el cable de conexión de la herramienta eléctrica está dañado, debe reemplazarse por un cable especial homologado que encontrará en nuestro Servicio Posventa. Inspeccione regularmente los alargadores y sustitúyalos en caso de que estuvieran dañados. Si se daña el cable de red o el alargador durante el trabajo, evite tocar el cable. Extraiga el enchufe de red de la toma de corriente. Los cables de conexión y los alargadores dañados suponen un peligro, pues pueden ocasionar una descarga eléctrica.
- ▶ Antes de empezar a trabajar, compruebe si la zona de trabajo oculta cables eléctricos, tuberías de gas o cañerías de agua. Las partes metálicas exteriores del producto pueden provocar una descarga eléctrica o una explosión si se daña un cable eléctrico, una tubería de gas o una cañería de agua.
- ▶ Si se produce una interrupción de la corriente, desconecte la herramienta eléctrica y extraiga el enchufe de red para evitar que se ponga en marcha accidentalmente cuando vuelva la corriente.
- ▶ Encargue una revisión periódica de los productos sucios al Servicio Técnico de **Hilti** en caso de tratar con frecuencia materiales conductores. El polvo adherido en la superficie del producto (sobre todo el de los materiales conductores) o la humedad pueden provocar descargas eléctricas cuando se den condiciones desfavorables.

### Manipulación y utilización segura de las herramientas eléctricas

- ▶ Fije la pieza de trabajo. Las piezas de trabajo se sujetan de forma más segura mediante un dispositivo de sujeción o un tornillo de banco que sujetándolas solo con la mano.
- ▶ Utilice los guantes de protección para el cambio de útil, ya que este se calienta debido al uso.

## 3 Descripción

### 3.1 Vista general del producto



- 1 Portabrocas (portabrocas de sujeción rápida o portabrocas de corona dentada)
- 2 Empuñadura lateral
- 3 Casquillo
- 4 Tope de profundidad
- 5 Tornillo de fijación para tope de profundidad
- 6 Interruptor selector de funciones
- 7 Interruptor de conmutación derecha/izquierda
- 8 Conmutador de control con control electrónico de velocidad
- 9 Botón de fijación para marcha continua
- 10 Cable de red

### 3.2 Uso conforme a las prescripciones

El producto es una taladradora de percusión de guiado manual con tensión de alimentación. Es adecuado para taladrar con percusión, taladrar, atornillar, e incluso mezclar.

### 3.3 Posibles usos indebidos

- Este producto no está indicado para el tratamiento de materiales nocivos para la salud.
- Este producto no es apropiado para su uso en entornos húmedos.

### 3.4 Suministro

Taladradora de percusión, empuñadura lateral, tope de profundidad, llave de portabrocas, tapa de protección, manual de instrucciones



Encontrará otros productos del sistema autorizados para su producto en su **Hilti Store** o en Internet, en: [www.hilti.group](http://www.hilti.group)

### 3.5 Aplicación con percusión

Aplicación con percusión	Tipo de útil	Dimensiones 1. <sup>a</sup> velocidad/2. <sup>a</sup> velocidad	Dimensiones, talar con percusión
Taladrar con percusión en mampostería	Broca de mango cilíndrico con filo de metal duro	—	≤ 16 mm (≤ 0,6 in)

### 3.6 Aplicaciones sin percusión

Aplicaciones	Tipo de útil	Dimensiones 1. <sup>a</sup> velocidad	Dimensiones 2. <sup>a</sup> velocidad
Taladrar en metal	Broca de mango cilíndrico	≤ 13 mm (≤ 0,5 in)	1,5 mm ... 8 mm (0,06 in ... 0,3 in)
	Broca escalonada (step-bit)	≤ 35 mm (≤ 1,4 in)	≤ 8 mm (≤ 0,3 in)
Taladrar en madera	Broca espiral	≤ 30 mm (≤ 1,2 in)	≤ 30 mm (≤ 1,2 in)
	Broca Forstner	≤ 45 mm (≤ 1,8 in)	≤ 40 mm (≤ 1,6 in)
	Sierra circular de corona	≤ 80 mm (≤ 3,1 in)	≤ 40 mm (≤ 1,6 in)
	Broca salomónica	≤ 30 mm (≤ 1,2 in)	—
	Broca fresadora plana (no autocortante)	≤ 40 mm (≤ 1,6 in)	≤ 40 mm (≤ 1,6 in)
Mezclar pintura de emulsión Mortero de cemento de baja viscosidad, Pegamento para baldosas, Yeso con herramienta agitadora	TE-MP 80	Recomendado en 1. <sup>a</sup> velocidad	—
	TE-MP 110	Recomendado en 1. <sup>a</sup> velocidad	—

## 4 Datos técnicos



La tensión nominal, la intensidad nominal, la frecuencia y/o la potencia nominal figuran en la placa de identificación específica del país.

Si se utiliza con un generador o transformador, la potencia útil debe ser al menos el doble de la potencia nominal indicada en la placa de identificación de la herramienta. La tensión de servicio del transformador o del generador debe encontrarse en todo momento entre un +5 % y un -15 % de la tensión nominal de la herramienta.

	UH 700
Número de revoluciones de la 1. <sup>a</sup> velocidad	900 rpm (15,0 Hz)
Número de revoluciones de la 2. <sup>a</sup> velocidad	2.500 rpm (41,7 Hz)
Par de giro máximo, 1. <sup>a</sup> velocidad	80 Nm (59 ftlb.)
Par de giro máximo, 2. <sup>a</sup> velocidad	29 Nm (21 ftlb.)



	<b>UH 700</b>
<b>Número de impactos</b>	40.000 Nm (29.502 ftlb <sub>i</sub> )
<b>Diámetro del portaútiles</b>	1,5 mm ... 13 mm (0,06 in ... 0,5 in)
<b>Par de apriete al cambiar de portabrocas</b>	120 Nm (89 ftlb <sub>i</sub> )

## 5 Uso de alargadores

### Uso de alargadores

#### **ADVERTENCIA**

**Peligro por los cables dañados.** Si se daña el cable de red o el alargador durante el trabajo, evitar tocar el cable. Extraer el enchufe de red de la toma de corriente.

- ▶ Compruebe con regularidad el cable de conexión de la herramienta y, en caso de que presentara daños, encargue su sustitución a un profesional experto en la materia.
- 
- Utilice solo alargadores autorizados con sección de cable suficiente para el campo de aplicación. De lo contrario, puede generarse una pérdida de potencia de la herramienta y un sobrecalentamiento del cable.
  - Compruebe regularmente que el alargador no haya sufrido daños.
  - Sustituir los alargadores dañados.
  - Al trabajar al aire libre, utilice únicamente alargadores autorizados que estén correspondientemente identificados.



Al final de esta documentación encontrará, en forma de código QR, las secciones mínimas recomendadas y las longitudes máximas del cable.

## 6 Preparación del trabajo

#### **PRECAUCIÓN**

**Riesgo de lesiones.** Arranque involuntario del producto.

- ▶ Extraiga el enchufe de red antes de realizar ajustes en la herramienta o de cambiar accesorios.

Respete las indicaciones de seguridad y las advertencias presentes en esta documentación y en el producto.

### 6.1 Montaje y ajuste de la empuñadura lateral

1. Gire la empuñadura para soltar el soporte (banda de sujeción) de la empuñadura lateral.



Asegúrese de que está montado el casquillo en la empuñadura lateral.

2. Deslice el soporte (banda de sujeción) a través del portaútiles hasta la ranura prevista para ello.
3. Coloque la empuñadura lateral en la posición deseada guiándose por las ranuras preestablecidas.



**Asegúrese de que las nervaduras de la banda de sujeción encajan en las ranuras del cuello de engranaje.** De lo contrario, la empuñadura lateral no podrá absorber los pares de giro.

Si la empuñadura lateral se desliza en la superficie de trabajo tras producirse un bloqueo, compruebe el encaje/las nervaduras del cuello del engranaje.

4. Gire la empuñadura para fijar el soporte (banda de sujeción) de la empuñadura lateral.

### 6.2 Montaje y ajuste del tope de profundidad

1. Afloje el tornillo de fijación.
2. Introduzca el tope de profundidad en el orificio previsto para ello.
3. Coloque el tope de profundidad a la profundidad de perforación deseada.
4. Apriete el tornillo de fijación con firmeza.



### 6.3 Aspiración de polvo (TE DRS-S)

- ▶ Monte la aspiración de polvo.



En el tope de profundidad se puede montar un sistema de aspiración de polvo. El aspirador de polvo permite aspirar los residuos de perforación. Si precisa más información sobre el manejo y el uso del aspirador de polvo, consulte el manual de instrucciones del TE DRS-S.

### 6.4 Desmontaje del alojamiento de cierre rápido

1. Coloque una llave de boca SW 17 en la superficie prevista para llaves del husillo de la herramienta.
2. Coloque una llave de boca SW 19 en la cabeza hexagonal del alojamiento de cierre rápido.
3. Gire la llave de boca SW 19 en sentido antihorario.
  - ▶ El alojamiento de cierre rápido se desenrosca del husillo de la herramienta.

### 6.5 Montaje del alojamiento de cierre rápido

1. Atornille el alojamiento de cierre rápido a mano hasta el tope en el husillo de la herramienta.
2. Coloque una llave de boca SW 17 en la superficie prevista para llaves del husillo de la herramienta.
3. Coloque una llave de boca SW 19 en la cabeza hexagonal del alojamiento de cierre rápido.
4. Apriete el alojamiento de cierre rápido.

#### Datos técnicos

Par de apriete al cambiar de portabrocas

120 Nm

(89 ftlb.)

### 6.6 Desmontaje del portabrocas de corona dentada

1. Monte un útil hexagonal en el portabrocas de corona dentada.
2. Fije el útil hexagonal con ayuda de la llave de portabrocas.
3. Coloque una llave de boca SW 17 en la superficie prevista para llaves del husillo de la herramienta.
4. Coloque una llave de boca adecuada en el útil hexagonal.
5. Gire en sentido antihorario con la llave de boca.
  - ▶ El portabrocas de corona dentada se desatornilla del husillo de la herramienta.

### 6.7 Montaje del portabrocas de corona dentada

1. Monte un útil hexagonal en el portabrocas de corona dentada.
2. Fije un útil hexagonal con ayuda de la llave de portabrocas.
3. Atornille el portabrocas de corona dentada a mano hasta el tope en el husillo de la herramienta.
4. Coloque una llave de boca SW 17 en la superficie prevista para llaves del husillo de la herramienta.
5. Coloque una llave adecuada en el útil hexagonal.
6. Apriete el portabrocas de corona dentada.

#### Datos técnicos

Par de apriete al cambiar de portabrocas

120 Nm

(89 ftlb.)

### 6.8 Extracción del útil del alojamiento de cierre rápido

1. Gire el casquillo de bloqueo del alojamiento de cierre rápido en sentido contrario a las agujas del reloj.



El bloqueo se libera automáticamente con un clic audible.

2. Siga girando el casquillo hasta que se suelte el útil.

### 6.9 Colocación de útil en alojamiento de cierre rápido

1. Abra el alojamiento de cierre rápido hasta que pueda colocar el vástago del útil.
2. Fije el útil girando el casquillo en sentido horario hasta que el alojamiento de cierre rápido se enclave automáticamente.
  - ▶ Cuando se enclava, pueden oírse claramente varios clics.



## 6.10 Colocación del útil en el portabrocas de corona dentada

1. Abra el portabrocas de corona dentada hasta que pueda colocar el vástago del útil.
2. Inserte el útil.
3. Cierre el portabrocas de corona dentada girando el anillo dentado.
4. Inserte la llave de portabrocas en un orificio del portabrocas de corona dentada.
5. Para fijar el útil gire la llave de portabrocas en sentido horario.
6. Desmonte la llave de portabrocas.

## 6.11 Extracción del útil del portabrocas de corona dentada

1. Inserte la llave de portabrocas en un orificio del portabrocas de corona dentada.
2. Para abrir, gire la llave de portabrocas en sentido antihorario.
3. Extraiga el útil.
4. Desmonte la llave de portabrocas.

## 7 Procedimiento de trabajo

---



### ADVERTENCIA

**Peligro por cables dañados.** Si durante el trabajo se daña el cable de red o el alargador, desenchufe inmediatamente la herramienta y el cable de la red. Evite tocar el punto donde se haya producido el daño.

- ▶ Compruebe regularmente todos los cables de conexión. Sustituya los alargadores defectuosos. Encargue a un profesional experto en la materia la sustitución de los cables de red dañados.
- 

Se recomienda el uso de un interruptor de corriente de defecto (RCD) con una corriente de desconexión máxima de 30 mA.

## 7.1 Conexión y desconexión de la marcha continua

1. Pulse y mantenga pulsado el conmutador de control.
2. Pulse y mantenga pulsado el botón de fijación.
3. Suelte el conmutador de control.
4. Suelte el botón de fijación.
5. Para desconectar la marcha continua, pulse el conmutador de control y suéltelo.

## 7.2 Conmutador de control con control electrónico de velocidad

Según la profundidad a la que se presione el conmutador de control, se puede ajustar la velocidad de forma continua hasta la velocidad máxima.

## 7.3 Ajuste del giro a la derecha o a la izquierda



### PRECAUCIÓN

**Riesgo de daños** El accionamiento durante el funcionamiento puede dañar el engranaje.

- ▶ El conmutador de giro a la derecha/izquierda no se debe accionar durante el funcionamiento.
  - ▶ Ajuste el conmutador de giro a la derecha/izquierda en la posición de giro deseada.
- 

## 7.4 Taladrar con percusión

- ▶ Sitúe el interruptor selector de funciones en «Taladrar con percusión»: .
- 



En caso necesario, debe girarse ligeramente el husillo.

---





### 7.5 Taladrar en 1.ª y 2.ª velocidad **14**

- ▶ Sitúe el interruptor selector de funciones en la posición 1 «Taladrar en primera velocidad» o en la posición 2 «Taladrar en segunda velocidad».



En caso necesario, debe girarse ligeramente el husillo.

### 7.6 Mezclado **14**

- ▶ Sitúe el interruptor selector de funciones en la posición 1 «Taladrar en primera velocidad».



En caso necesario, debe girarse ligeramente el husillo.

### 7.7 Atornillado **14**

1. Ajuste el conmutador de giro a la derecha/izquierda en la posición de giro deseada.
2. Sitúe el interruptor selector de funciones en la posición 1 «Taladrar en primera velocidad» o en la posición 2 «Taladrar en segunda velocidad».



En caso necesario, debe girarse ligeramente el husillo.

## 8 Cuidado y mantenimiento



### ADVERTENCIA

**Peligro de descarga eléctrica.** La realización de tareas de cuidado y mantenimiento con el enchufe conectado a la toma de corriente de puede provocar lesiones y quemaduras graves.

- ▶ Extraiga siempre el enchufe de la toma de corriente antes de realizar cualquier tarea de cuidado y mantenimiento.

#### Cuidado

- Retire con cuidado la suciedad fuertemente adherida.
- Limpie cuidadosamente las rejillas de ventilación con un cepillo seco.
- Limpie la carcasa utilizando únicamente un paño ligeramente humedecido. No utilice limpiadores que contengan silicona, ya que podría afectar a las piezas de plástico.

#### Mantenimiento



### ADVERTENCIA

**Riesgo de descarga eléctrica.** Las reparaciones indebidas en componentes eléctricos pueden producir lesiones graves y quemaduras.

- ▶ Las reparaciones de la parte eléctrica sólo puede llevarlas a cabo un técnico electricista cualificado.
- Compruebe con regularidad si las piezas visibles están dañadas o si los elementos de manejo funcionan correctamente.
- No utilice el producto si presenta daños o fallos que afecten al funcionamiento. Llévela de inmediato al Servicio Técnico de **Hilti** para que la reparen.
- Coloque todos los dispositivos de protección después de las tareas de cuidado y mantenimiento y compruebe su correcto funcionamiento.



Para garantizar un correcto funcionamiento, utilice exclusivamente piezas de repuesto y material de consumo originales. Puede encontrar piezas de repuesto, consumibles y accesorios para su producto que nosotros mismos comercializamos en **Hilti Store** o en: [www.hilti.group](http://www.hilti.group).

## 9 Transporte y almacenamiento

#### Transporte

- ▶ No transporte este producto con el útil insertado.
- ▶ Asegúrese de que durante el transporte esté bien sujeto.



- Compruebe tras cada transporte si las piezas visibles están dañadas o si los elementos de manejo funcionan correctamente.

### Almacenamiento

- Almacene este producto siempre con los enchufes desconectados.
- Guarde este producto en un lugar seco y fuera del alcance de niños y personas no autorizadas.
- Cuando lleve mucho tiempo almacenado, compruebe si las piezas visibles están dañadas y si los elementos de manejo funcionan correctamente.

## 10 Localización de averías

Anomalía	Posible causa	Solución
El producto no se pone en marcha.	Suministro de corriente interrumpido	► Conecte otra herramienta eléctrica y compruebe si funciona.
	Cable de red o enchufe defectuosos.	► Encargue la revisión a personal técnico cualificado y su sustitución en caso necesario.
	Error electrónico.	► Encargue la revisión al personal técnico cualificado y su sustitución en caso necesario.
El producto no desarrolla toda la potencia.	El alargador tiene una sección insuficiente.	► Utilice un alargador con sección suficiente.
	Conmutador de control no pulsado del todo.	► Presione el conmutador de control hasta el tope.
La broca no arranca material.	El producto está ajustado en giro a la izquierda.	► Conmute el producto a giro a la derecha.
	La broca está desafilada o dañada.	► Rectifique la broca o sustitúyala.
La broca no gira.	El portabrocas no está apretado correctamente.	► Apriete el portabrocas.

## 11 Reciclaje

Las herramientas Hilti están fabricadas en su mayor parte con materiales reutilizables. La condición para dicha reutilización es una separación adecuada de los materiales. En muchos países, Hilti recoge las herramientas usadas para su recuperación. Pregunte en el Servicio de Atención al Cliente de Hilti o a su asesor de ventas.



- No deseche las herramientas eléctricas, los aparatos eléctricos ni las baterías junto con los residuos domésticos.

## 12 Garantía del fabricante

- Si tiene alguna consulta acerca de las condiciones de la garantía, póngase en contacto con su sucursal local de Hilti.

## 13 Más información

Encontrará información adicional sobre manejo, técnica, medioambiente y reciclaje en el siguiente enlace: [qr.hilti.com/manual/?id=273762](https://qr.hilti.com/manual/?id=273762)

Encontrará este enlace también al final del manual de instrucciones como código QR.



# Manual de instruções original

## 1 Indicações sobre a documentação

### 1.1 Sobre esta documentação

- Antes da colocação em funcionamento, leia esta documentação. Esta é a condição para um trabalho seguro e um manuseamento sem problemas.
- Tenha em atenção as instruções de segurança e as advertências nesta documentação e no produto.
- Guarde o manual de instruções sempre junto do produto e entregue-o a outras pessoas apenas juntamente com este manual.

### 1.2 Explicação dos símbolos

#### 1.2.1 Advertências

As advertências alertam para perigos durante a utilização do produto. São utilizadas as seguintes palavras de aviso:

#### **PERIGO**

##### **PERIGO !**

- ▶ Indica perigo iminente que pode originar acidentes pessoais graves ou até mesmo fatais.

#### **AVISO**

##### **AVISO !**

- ▶ Indica um possível perigo que pode causar graves ferimentos pessoais, até mesmo fatais.





#### **CUIDADO**

##### **CUIDADO !**

- ▶ Indica uma situação potencialmente perigosa que pode originar ferimentos corporais ou danos materiais.


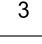
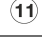

#### 1.2.2 Símbolos no manual de instruções

Neste manual de instruções são utilizados os seguintes símbolos:

	Consultar o manual de instruções
	Instruções de utilização e outras informações úteis
	Manuseamento com materiais recicláveis
	Não deitar as ferramentas eléctricas e baterias no lixo doméstico

#### 1.2.3 Símbolos nas figuras

Em figuras são utilizados os seguintes símbolos:

	Estes números remetem para a figura respectiva no início do presente manual de instruções.
	A numeração reproduz uma sequência dos passos de trabalho na imagem e pode divergir dos passos de trabalho no texto.
	Na figura <b>Vista geral</b> são utilizados números de posição que fazem referência aos números da legenda na secção <b>Vista geral do produto</b> .
	Este símbolo pretende despertar a sua atenção durante o manuseamento do produto.

### 1.3 Símbolos dependentes do produto

#### 1.3.1 Símbolos no produto

No produto, podem usar-se os seguintes símbolos:



	Use capacete de proteção
	Use óculos de proteção
	Use máscara antipoeiras
	Use proteção auricular
	Use luvas de proteção
	Furar com percussão
1	Perfurar sem percussão, 1.ª velocidade
2	Perfurar sem percussão, 1.ª velocidade
A	Ampere
Hz	Hertz
V	Volt
W	Watt
	Corrente alternada
	com duplo isolamento
/min	Rotações por minuto
	Se existente no produto, isso significa que o produto foi certificado por este organismo de certificação para o mercado americano e canadiano de acordo com as normas em vigor.

#### 1.4 Dados informativos sobre o produto

Os produtos destinam-se ao utilizador profissional e só podem ser operados, mantidos e reparados por pessoal autorizado, devidamente qualificado. Estas pessoas deverão estar informadas em particular sobre os potenciais perigos. O produto e seu equipamento auxiliar podem representar perigo se usados incorrectamente por pessoas não qualificadas ou se usados para fins diferentes daqueles para os quais foram concebidos.

A designação e o número de série são indicados na placa de características.

- ▶ Registe o número de série na tabela seguinte. Precisa dos dados do produto para colocar questões ao nosso representante ou posto de serviço de atendimento aos clientes.

##### Dados do produto

Berbequim de percussão	UH 700
Geração	01
N.º de série	

## 2 Segurança

### 2.1 Normas de segurança gerais para ferramentas eléctricas

**⚠ AVISO** Leia todas as normas de segurança, instruções, imagens e dados técnicos, com os quais esta ferramenta eléctrica está equipada. O não cumprimento das instruções a seguir pode resultar em choque eléctrico, incêndio e/ou ferimentos graves.

**Guarde bem todas as normas de segurança e instruções para futura referência.**

O termo “ferramenta eléctrica” utilizado nas normas de segurança refere-se a ferramentas com ligação à corrente eléctrica (com cabo de alimentação) ou a ferramentas a bateria (sem cabo).



### Segurança no posto de trabalho

- ▶ **Mantenha a sua área de trabalho limpa e bem iluminada.** Locais desarrumados ou mal iluminados podem ocasionar acidentes.
- ▶ **Não utilize a ferramenta eléctrica em ambientes explosivos ou na proximidade de líquidos ou gases inflamáveis.** Ferramentas eléctricas produzem faíscas que podem provocar a ignição de pó e vapores.
- ▶ **Mantenha crianças e terceiros afastados durante os trabalhos.** Distracções podem conduzir à perda de controlo sobre a ferramenta.

### Segurança eléctrica

- ▶ **A ficha da ferramenta eléctrica deve servir na tomada. A ficha não deve ser modificada de modo algum. Não utilize quaisquer adaptadores com ferramentas eléctricas com ligação terra.** Fichas originais (não modificadas) e tomadas adequadas reduzem o risco de choque eléctrico.
- ▶ **Evite o contacto do corpo com superfícies ligadas à terra, como, por exemplo, canos, radiadores, fogões e frigoríficos.** Existe um risco elevado de choque eléctrico se o corpo estiver com ligação à terra.
- ▶ **As ferramentas eléctricas não devem ser expostas à chuva nem à humidade.** A infiltração de água numa ferramenta eléctrica aumenta o risco de choque eléctrico.
- ▶ **Não use o cabo de ligação para transportar, pendurar ou desligar a ferramenta eléctrica da tomada. Mantenha o cabo de ligação afastado de calor, óleo, arestas vivas ou partes em movimento.** Cabos de ligação danificados ou emaranhados aumentam o risco de choque eléctrico.
- ▶ **Quando operar uma ferramenta eléctrica ao ar livre, utilize apenas cabos de extensão próprios para utilização no exterior.** A utilização de um cabo de extensão próprio para utilização no exterior reduz o risco de choques eléctricos.
- ▶ **Utilize um disjuntor diferencial se não puder ser evitada a utilização da ferramenta eléctrica em ambiente húmido.** A utilização de um disjuntor diferencial reduz o risco de choque eléctrico.

### Segurança física

- ▶ **Esteja alerta, observe o que está a fazer, e tenha prudência ao trabalhar com uma ferramenta eléctrica. Se estiver cansado ou sob influência de drogas, álcool ou medicamentos não efectue nenhum trabalho com ferramentas eléctricas.** Um momento de distração ao operar a ferramenta eléctrica pode causar ferimentos graves.
- ▶ **Use equipamento de segurança. Use sempre óculos de protecção.** Equipamento de segurança, como, por exemplo, máscara antipoeiras, sapatos de segurança antiderrapantes, capacete de segurança ou protecção auricular, de acordo com o tipo e aplicação da ferramenta eléctrica, reduzem o risco de lesões.
- ▶ **Evite um arranque involuntário. Assegure-se de que a ferramenta eléctrica está desligada antes de a ligar à fonte de alimentação e/ou à bateria, pegar nela ou a transportar.** Transportar a ferramenta eléctrica com o dedo no interruptor ou ligar uma ferramenta à tomada com o interruptor ligado (ON) pode resultar em acidentes.
- ▶ **Remova quaisquer chaves de ajuste (chaves de fenda), antes de ligar a ferramenta eléctrica.** Um acessório ou chave deixado preso numa parte rotativa da ferramenta pode causar ferimentos.
- ▶ **Evite posturas corporais desfavoráveis. Mantenha sempre uma posição correcta, em perfeito equilíbrio.** Desta forma será mais fácil manter o controlo sobre a ferramenta eléctrica em situações inesperadas.
- ▶ **Use roupa apropriada. Não use roupa larga ou jóias. Mantenha o cabelo, vestuário e luvas afastados das peças móveis.** Roupas largas, jóias ou cabelos compridos podem ficar presos nas peças móveis.
- ▶ **Se poderem ser montados sistemas de remoção e de recolha de pó, assegure-se de que estes estão ligados e são utilizados correctamente.** A utilização de um sistema de remoção de pó pode reduzir os perigos relacionados com a exposição ao mesmo.
- ▶ **Não se acomode numa falsa sensação de segurança e não ignore os regulamentos de segurança para ferramentas eléctricas, mesmo se estiver familiarizado com a ferramenta eléctrica após numerosas utilizações.** Agir de forma descuidada pode causar ferimentos graves dentro duma fracção de segundo.

### Utilização e manuseamento da ferramenta eléctrica

- ▶ **Não sobrecarregue a ferramenta. Use para o seu trabalho a ferramenta eléctrica correcta.** Com a ferramenta eléctrica adequada obterá maior eficiência e segurança se respeitar os seus limites.
- ▶ **Não utilize a ferramenta eléctrica se o interruptor estiver defeituoso.** Uma ferramenta eléctrica que já não possa ser accionada pelo interruptor é perigosa e deve ser reparada.



- ▶ **Retire a ficha da tomada e/ou remova uma bateria amovível antes de efectuar ajustes na ferramenta, substituir acessórios ou guardar a ferramenta.** Esta medida preventiva evita o accionamento acidental da ferramenta eléctrica.
- ▶ **Guarde ferramentas eléctricas não utilizadas fora do alcance das crianças. Não permita que a ferramenta seja utilizada por pessoas não familiarizadas com a mesma ou que não tenham lido estas instruções.** Ferramentas eléctricas operadas por pessoas não treinadas são perigosas.
- ▶ **Faça uma manutenção regular de ferramentas eléctricas e acessórios. Verifique se as partes móveis funcionam perfeitamente e não emperram ou se há peças quebradas ou danificadas que possam influenciar o funcionamento da ferramenta eléctrica. Peças danificadas devem ser reparadas antes da utilização da ferramenta.** Muitos acidentes são causados por ferramentas eléctricas com manutenção deficiente.
- ▶ **Mantenha as ferramentas de corte sempre afiadas e limpas.** Acessórios com gumes afiados tratados correctamente emperram menos e são mais fáceis de controlar.
- ▶ **Utilize a ferramenta eléctrica, acessórios, bits, etc., de acordo com estas instruções. Tome também em consideração as condições de trabalho e o trabalho a ser efectuado.** A utilização da ferramenta eléctrica para outros fins além dos previstos, pode ocasionar situações de perigo.
- ▶ **Mantenha punhos e respectivas superfícies secos, limpos e isentos de óleo e gordura.** Punhos e superfícies afins escorregadios não permitem um manuseamento e controlo seguro da ferramenta eléctrica em situações imprevistas.

### Manutenção

- ▶ **A sua ferramenta eléctrica só deve ser reparada por pessoal qualificado e só devem ser utilizadas peças sobressalentes originais.** Isto assegurará que a segurança da ferramenta eléctrica se mantenha.

## 2.2 Normas de segurança para berbequins

### Indicações de segurança para todos os trabalhos

- ▶ **Ao furar com percussão, use protecção auricular.** Ruído em excesso pode levar à perda de audição.
- ▶ **Utilize o punho adicional.** A perda de controlo da ferramenta pode causar ferimentos.
- ▶ **Segure a ferramenta eléctrica pelas áreas isoladas dos punhos quando realizar trabalhos onde o acessório pode encontrar cabos eléctricos encobertos ou o próprio cabo de ligação.** O contacto com um cabo sob tensão também pode colocar partes metálicas da ferramenta sob tensão e causar um choque eléctrico.

### Indicações de segurança em caso de utilização de brocas compridas

- ▶ **Não trabalhe, em caso algum, com uma velocidade de rotação maior do que a máxima velocidade admissível para a broca.** Se trabalhar com velocidades maiores, a broca poderá deformar-se ligeiramente, se poder rodar livremente, sem contacto com a peça a trabalhar, dando origem a ferimentos.
- ▶ **Inicie o processo de perfuração sempre a baixas rotações e enquanto a broca estiver em contacto com a peça a trabalhar.** Se trabalhar com velocidades maiores, a broca poderá deformar-se ligeiramente, se poder rodar livremente, sem contacto com a peça a trabalhar, dando origem a ferimentos.
- ▶ **Não aplique uma pressão excessiva e apenas no sentido longitudinal relativamente à broca.** As brocas podem deformar-se e, deste modo, partir ou originar uma perda de controlo, dando origem a ferimentos.

## 2.3 Normas de segurança adicionais

### Segurança física

- ▶ Utilize o produto e os acessórios somente se estiverem em perfeitas condições técnicas.
- ▶ Nunca efectue manipulações ou modificações no produto ou nos acessórios.
- ▶ Segure o produto sempre com as duas mãos nos punhos previstos para o efeito. Mantenha os punhos secos, limpos e isentos de óleos e massas.
- ▶ Durante o trabalho, mantenha o cabo de alimentação e a extensão sempre na parte de trás do produto. Evita, assim, tropeçar no cabo durante os trabalhos.
- ▶ Faça frequentemente pausas e exercícios para melhorar a circulação sanguínea nos dedos. Os trabalhos mais longos, devido às intensas vibrações, podem causar distúrbios nos vasos sanguíneos ou no sistema nervoso dos dedos, mãos ou pulsos.
- ▶ Risco de ferimentos devido a queda de ferramentas e/ou acessórios. Antes de iniciar os trabalhos, verifique se os acessórios montados estão seguramente fixos.
- ▶ Use óculos de protecção, capacete de segurança e protecção auricular durante a utilização do produto.



- ▶ Mantenha sempre as saídas de ar desobstruídas. Risco de queimaduras devido a saídas de ar tapadas!
- ▶ Pó produzido ao rectificar, lixar, cortar e furar pode conter produtos químicos perigosos. Alguns exemplos são: Chumbo ou tintas à base de chumbo; Tijolo, betão e outros produtos de alvenaria, pedra natural e outros produtos que contenham silicatos; Determinadas madeiras, como carvalho, faia e madeira tratada quimicamente; Amianto ou materiais contendo amianto. Determine a exposição do operador e das pessoas que se encontrem nas proximidades através da classe de perigo dos materiais a serem trabalhados. Tome as medidas necessárias para manter a exposição a um nível seguro como, por ex., a utilização de um sistema colector de pó ou o uso de uma protecção respiratória adequada. As medidas gerais para redução da exposição incluem:
  - ▶ Trabalhar num local bem ventilado,
  - ▶ Evitar o contacto prolongado com pó,
  - ▶ Afastar o pó do rosto e do corpo,
  - ▶ Usar roupa de protecção e lavar áreas expostas com água e sabão.
- ▶ O produto não foi concebido para pessoas debilitadas, sem formação. Mantenha o produto fora do alcance das crianças.
- ▶ As crianças devem ser instruídas de que não devem brincar com o produto.

### Segurança eléctrica

- ▶ Verifique regularmente o cabo de ligação do produto e, em caso de danos, mande substituir por um especialista reconhecido. Quando o cabo de conexão da ferramenta eléctrica está danificado, deve ser substituído por um cabo de conexão específico e aprovado, que se encontra disponível através do Serviço de Clientes Hilti. Verifique as extensões de cabo regularmente. Se estiverem danificadas, deverão ser substituídas. Se danificar o cabo ou a extensão enquanto trabalha, não lhe toque. Retire a ficha de rede da tomada. Linhas de conexão e extensões danificadas representam um risco de choque eléctrico.
- ▶ Antes de iniciar os trabalhos, verifique o local de trabalho relativamente a cabos eléctricos encobertos, bem como tubos de gás e água. Partes metálicas externas do produto podem causar um choque eléctrico ou uma explosão se, inadvertidamente, danificarem uma linha eléctrica, um cano de gás ou de água.
- ▶ Em caso de falha eléctrica desligue a ferramenta eléctrica e retire a ficha de rede, de modo a evitar uma colocação inadvertida em funcionamento quando a energia for restabelecida.
- ▶ Os produtos utilizados frequentemente para trabalhar materiais condutores e, conseqüentemente, muito sujos, devem ser verificados regularmente num Centro de Assistência Técnica Hilti. O pó (nomeadamente o pó resultante de materiais condutores) ou a humidade aderente à superfície do produto podem, sob condições desfavoráveis, causar choques eléctricos.

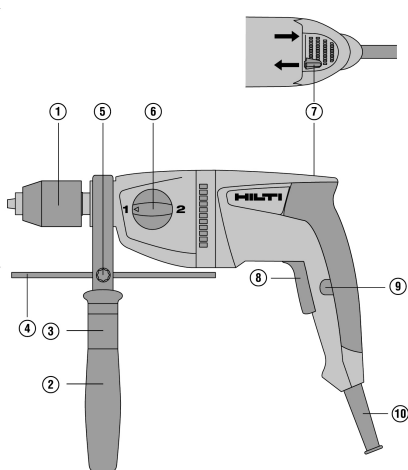
### Utilização e manutenção de ferramentas eléctricas

- ▶ Fixe a peça a trabalhar. Uma peça a trabalhar fixada com grampos ou num torno de bancada fica mais segura do que apenas com a mão.
- ▶ Para a substituição de acessórios, use luvas de protecção, pois estes aquecem durante a utilização.



### 3 Descrição

#### 3.1 Vista geral do produto



- ① Mandril (mandril de aperto rápido ou mandril de coroa dentada)
- ② Punho auxiliar
- ③ Casquilho
- ④ Limitador de profundidade
- ⑤ Parafuso de fixação para limitador de profundidade
- ⑥ Selector de funções
- ⑦ Comutador de rotação direita/esquerda
- ⑧ Interruptor on/off com regulação electrónica da velocidade
- ⑨ Botão de bloqueio para operação continuada
- ⑩ Cabo de alimentação

#### 3.2 Utilização correta

O produto é um berbequim de percussão operado com tensão de rede, de utilização manual. É adequado para furar com percussão, perfurar, aparafusar e, em determinadas condições, para agitar.

#### 3.3 Possível uso incorrecto

- Este produto não é adequado para trabalhar materiais nocivos para a saúde.
- Este produto não é adequado para a realização de trabalhos num ambiente húmido.

#### 3.4 Incluído no fornecimento

Berbequim de percussão, punho auxiliar, limitador de profundidade, chave do mandril de perfuração, capa protectora contra pó, manual de instruções

Poderá encontrar outros produtos de sistema aprovados para o seu produto na sua **Hilti Store** ou em: [www.hilti.group](http://www.hilti.group)

#### 3.5 Aplicação com percussão

Aplicação com percussão	Tipo de acessório	Dimensões 1.ª velocidade / 2.ª velocidade	Dimensões furar com percussão
Furar com percussão em alvenaria	Broca cilíndrica com lâmina de metal duro	—	≤ 16 mm (≤ 0,6 in)

#### 3.6 Aplicações sem percussão

Aplicações	Tipo de acessório	Dimensões 1.ª velocidade	Dimensões 2.ª velocidade
Furar em metal	Broca cilíndrica	≤ 13 mm (≤ 0,5 in)	1,5 mm ... 8 mm (0,06 in ... 0,3 in)
	Broca escalonada (step-bit)	≤ 35 mm (≤ 1,4 in)	≤ 8 mm (≤ 0,3 in)





Perfurar em madeira	Broca espiral	≤ 30 mm (≤ 1,2 in)	≤ 30 mm (≤ 1,2 in)
	Brocas serpentina para madeira	≤ 45 mm (≤ 1,8 in)	≤ 40 mm (≤ 1,6 in)
	Serras craneanas	≤ 80 mm (≤ 3,1 in)	≤ 40 mm (≤ 1,6 in)
	Broca goiva	≤ 30 mm (≤ 1,2 in)	—
	Brocas pá (não autocor- tantes)	≤ 40 mm (≤ 1,6 in)	≤ 40 mm (≤ 1,6 in)
Agitar tinta de dispersão argamassa de cimento fino, cimento-cola para ladrilhos, Gesso com agitador	TE-MP 80	Na 1. <sup>a</sup> velocidade recomendado	—
	TE-MP 110	Na 1. <sup>a</sup> velocidade recomendado	—

#### 4 Características técnicas



Consulte a tensão nominal, corrente nominal, frequência e/ou potência nominal na sua placa de características específica do país.

Em caso de alimentação por um gerador ou transformador, a respectiva potência de saída deverá ter, no mínimo, o dobro da potência nominal indicada na placa de características da ferramenta. A tensão de serviço do transformador ou gerador deverá encontrar-se sempre entre +5% e -15% da tensão nominal da ferramenta.

	UH 700
<b>Número de rotações 1.<sup>a</sup> velocidade</b>	900 rpm (15,0 Hz)
<b>Número de rotações 2.<sup>a</sup> velocidade</b>	2 500 rpm (41,7 Hz)
<b>Binário máximo 1.<sup>a</sup> velocidade</b>	80 Nm (59 ftlb <sub>o</sub> )
<b>Binário máximo 2.<sup>a</sup> velocidade</b>	29 Nm (21 ftlb <sub>o</sub> )
<b>Velocidade de impacto</b>	40 000 Nm (29 502 ftlb <sub>o</sub> )
<b>Diâmetro do mandril</b>	1,5 mm ... 13 mm (0,06 in ... 0,5 in)
<b>Binário de aperto na troca do mandril</b>	120 Nm (89 ftlb <sub>o</sub> )

#### 5 Utilização de extensões de cabo

##### Utilização de extensões de cabo



##### AVISO

**Perigo devido a cabo danificado!** Se danificar o cabo enquanto trabalha, não lhe toque e desligue o aparelho imediatamente. Retire a ficha de rede da tomada.

- ▶ Verifique o cabo eléctrico regularmente. Se danificado, deve ser imediatamente substituído por um especialista.
- Utilize apenas cabos de extensão aprovados para o tipo de aplicação em causa e com a secção transversal adequada. A inobservância desta recomendação pode resultar numa perda de potência da ferramenta e no sobreaquecimento do cabo.
- Examine o cabo periodicamente em relação a eventuais danos.
- Substitua os cabos de extensão danificados.



- Em trabalhos de exterior, utilize apenas extensões com secção apropriada e correspondentemente indicadas.



No final desta documentação encontrará as secções de cabo mínimas e comprimentos máximos sob a forma de código QR.

## 6 Preparação do local de trabalho



### CUIDADO

**Risco de ferimentos!** Arranque inadvertido do produto.

- ▶ Retire a ficha antes de efectuar ajustes na ferramenta ou substituir acessórios.

Tenha em atenção as instruções de segurança e as advertências nesta documentação e no produto.

### 6.1 Colocar e ajustar o punho auxiliar 2

1. Rode o punho para soltar a abraçadeira (cinta de aperto) do punho auxiliar.



Tenha atenção para que o casquilho esteja montado no punho do punho auxiliar.

2. Deslize a abraçadeira (cinta de aperto) sobre o porta-ferramentas, até à ranhura prevista para o efeito.
3. Posicione o punho auxiliar na posição pretendida, de acordo com as retenções predefinidas.



**Certifique-se de que as nervuras da fita tensora engatam nas ranhuras no colar da caixa de engrenagens.** Caso contrário, os binários já não poderão ser absorvidos através do punho auxiliar.

Se o punho auxiliar deslizar no material base após um bloqueio, verifique a união positiva/ nervuras no colar da caixa de engrenagens.

4. Rode o punho para apertar a abraçadeira (cinta de aperto) do punho auxiliar.

### 6.2 Montar e regular o limitador de profundidade 3

1. Desaperte o parafuso de fixação.
2. Empurre o limitador de profundidade para a abertura prevista para o efeito.
3. Ajuste o limitador de profundidade à profundidade de perfuração desejada.
4. Aperte o parafuso de fixação.

### 6.3 Sistema de remoção de pó (TE DRS-S) 4

- ▶ Monte o sistema de remoção de pó.



No limitador de profundidade pode ser aplicado um sistema de remoção de pó. Os restos de perfuração são aspirados com um aspirador. Poderá consultar mais explicações sobre o manuseamento e utilização do sistema de remoção de pó no manual de instruções separado do TE DRS-S.

### 6.4 Desmontar o mandril de aperto rápido 5

1. Aplique uma chave de forqueta 17 na zona de aperto prevista do fuso da ferramenta.
2. Coloque uma chave de forqueta 19 no sextavado do mandril de aperto rápido.
3. Com a chave de forqueta 19, rode no sentido contrário ao dos ponteiros do relógio.
  - ▶ O mandril de aperto rápido é desaparafusado do fuso da ferramenta.

### 6.5 Montar o mandril de aperto rápido

1. Aparafuse manualmente o mandril de aperto rápido até ao batente, no fuso da ferramenta.
2. Aplique uma chave de forqueta 17 na zona de aperto prevista do fuso da ferramenta.
3. Coloque uma chave de forqueta 19 no sextavado do mandril de aperto rápido.



- Aperte bem o mandril de aperto rápido.

Características técnicas	
Binário de aperto na troca do mandril	120 Nm (89 ftlb.)

## 6.6 Desmontar o mandril de coroa dentada

- Insira um ferro sextavado no mandril de coroa dentada.
- Aperte o ferro sextavado com ajuda da chave do mandril de perfuração.
- Aplique uma chave de forqueta 17 na zona de aperto prevista do fuso da ferramenta.
- Insira uma chave de forqueta adequada no ferro sextavado.
- Com a chave de forqueta, rode no sentido contrário ao dos ponteiros do relógio.
  - O mandril de coroa dentada é desaparafusado do fuso da ferramenta.

## 6.7 Montar o mandril de coroa dentada

- Insira um ferro sextavado no mandril de coroa dentada.
- Aperte um ferro sextavado com ajuda da chave do mandril de perfuração.
- Aparafuse manualmente o mandril de coroa dentada até ao batente no fuso da ferramenta.
- Aplique uma chave de forqueta 17 na zona de aperto prevista do fuso da ferramenta.
- Aplique uma chave adequada no ferro sextavado.
- Aperte bem o mandril de coroa dentada.

Características técnicas	
Binário de aperto na troca do mandril	120 Nm (89 ftlb.)

## 6.8 Retirar o acessório do mandril de aperto rápido

- Rode o casquilho de bloqueio do mandril de aperto rápido no sentido contrário ao dos ponteiros do relógio.



O bloqueio solta-se automaticamente com um clique audível.

- Continue a rodar o casquilho, até que o acessório se solte.

## 6.9 Inserir o acessório no mandril de aperto rápido

- Abra o mandril de aperto rápido até conseguir inserir a haste do acessório.
- Fixe o acessório, rodando o casquilho no sentido dos ponteiros do relógio, até que o mandril de aperto rápido engate automaticamente.
  - O engate é claramente audível através de vários cliques.

## 6.10 Inserir o acessório no mandril de coroa dentada

- Abra o mandril de coroa dentada até conseguir inserir a haste do acessório.
- Coloque o acessório.
- Feche o mandril de coroa dentada, rodando o anel de coroa dentada.
- Insira a chave do mandril de perfuração num orifício no mandril de coroa dentada.
- Para fixar o acessório, rode a chave do mandril de perfuração no sentido dos ponteiros do relógio.
- Remova a chave.

## 6.11 Retirar o acessório do mandril de coroa dentada

- Insira a chave do mandril de perfuração num orifício no mandril de coroa dentada.
- Para abrir, rode a chave do mandril de perfuração no sentido contrário ao dos ponteiros do relógio.
- Retire o acessório.
- Remova a chave.



**⚠ AVISO**

**Perigo devido a cabo danificado!** Se danificar o cabo enquanto trabalha, desligue imediatamente o aparelho e o cabo da rede elétrica. Não toque no local com defeito!

- ▶ Verifique regularmente todos os cabos de alimentação. Substitua o cabo de extensão defeituoso. Mandar substituir os cabos de alimentação danificados por um especialista reconhecido.
- 

Por princípio, recomendamos a utilização de um disjuntor diferencial (RCD) com uma corrente de disparo de, no máximo, 30 mA.

**7.1 Ligar/desligar o modo "operação continuada" **11****

1. Pressione o interruptor on/off e mantenha-o nesta posição.
2. Pressione o botão de bloqueio e mantenha-o nesta posição.
3. Solte o interruptor on/off.
4. Solte o botão de bloqueio.
5. Para desligar a operação continuada, pressione o interruptor on/off e solte-o novamente.

**7.2 Interruptor on/off com regulação electrónica da velocidade**

Consoante a profundidade da compressão do interruptor on/off, é possível controlar as rotações gradualmente, até se alcançar a velocidade máxima.

**7.3 Ajustar a rotação à direita ou à esquerda **12******⚠ CUIDADO**

**Perigo de danos** Um accionamento durante o funcionamento poderá dar origem a danos na engrenagem.

- ▶ O comutador de rotação para a direita/esquerda não pode ser activado com a ferramenta em funcionamento.
  - ▶ Ajuste o comutador de rotação para a direita/esquerda conforme o sentido de rotação pretendido.
- 

**7.4 Perfurar de martelo **13****

- ▶ Coloque o selector de funções em furar com percussão: .



Se necessário, o veio deve ser ligeiramente rodado.

---

**7.5 Perfurar 1.ª e 2.ª velocidade **14****

- ▶ Coloque o selector de funções na posição 1 "Perfurar em primeira velocidade" ou na posição 2 "Perfurar em segunda velocidade".



Se necessário, o veio deve ser ligeiramente rodado.

---

**7.6 Agitar **14****

- ▶ Coloque o selector de funções na posição 1 "Perfurar em primeira velocidade".



Se necessário, o veio deve ser ligeiramente rodado.

---

**7.7 Aparafusar **14****

- 1. Ajuste o comutador de rotação para a direita/esquerda conforme o sentido de rotação pretendido.



2. Coloque o selector de funções na posição 1 "Perfurar em primeira velocidade" ou na posição 2 "Perfurar em segunda velocidade".



Se necessário, o veio deve ser ligeiramente rodado.

## 8 Conservação e manutenção

### AVISO

**Perigo devido a choque eléctrico!** A conservação e manutenção com a ficha de ligação inserida pode originar ferimentos graves e queimaduras.

- ▶ Retirar sempre a ficha de ligação antes de todos os trabalhos de conservação e manutenção!

### Conservação

- Remover a sujidade persistente com cuidado.
- Limpe as saídas de ar cuidadosamente com uma escova seca.
- Limpar a carcaça apenas com um pano ligeiramente humedecido. Não utilizar produtos de conservação que contenham silicone, uma vez que estes poderiam danificar os componentes de plástico.

### Manutenção

### AVISO

**Perigo devido a choque eléctrico!** Reparações incorrectas em peças eléctricas podem causar ferimentos e queimaduras graves.

- ▶ As reparações na parte eléctrica apenas podem ser executadas por um electricista especializado.
- Verificar, regularmente, todos os componentes visíveis quanto a danos e os comandos operativos quanto a funcionamento perfeito.
- Em caso de danos e/ou perturbações de funcionamento, não operar o produto. Mandar reparar de imediato pelo Centro de Assistência Técnica **Hilti**.
- Após os trabalhos de conservação e manutenção, aplicar todos os dispositivos de protecção e verificar o respectivo funcionamento.



Para um funcionamento seguro, utilize apenas peças sobresselentes e consumíveis originais. Poderá encontrar peças sobresselentes, consumíveis e acessórios aprovados por nós para o seu produto no seu **Hilti Store** ou em: [www.hilti.group](http://www.hilti.group).

## 9 Transporte e armazenamento

### Transporte

- ▶ Não transporte este produto com a ferramenta inserida.
- ▶ Certificar-se de que está bem apertado durante o transporte.
- ▶ Após cada transporte, verifique todos os componentes visíveis quanto a danos e os comandos operativos quanto a funcionamento perfeito.

### Armazenamento

- ▶ Armazene este produto sempre com a ficha de rede retirada.
- ▶ Guarde este produto num local seco e fora do alcance das crianças e pessoas não autorizadas.
- ▶ Após um armazenamento prolongado, verifique todos os componentes visíveis quanto a danos e os comandos operativos quanto a funcionamento perfeito.

## 10 Localização de avarias

Avaria	Causa possível	Solução
O produto não arranca.	Avaria na rede eléctrica	▶ Insira outra ferramenta eléctrica e verifique o funcionamento.
	Cabo de alimentação ou ficha com defeito.	▶ Mandar verificar e, se necessário, substituir por um electricista especializado.



Avaria	Causa possível	Solução
O produto não arranca.	Avaria do sistema electrónico	▶ Mandar verificar e, se necessário, substituir por um electricista especializado.
O produto não atinge plena potência.	Extensão de cabo tem secção inadequada.	▶ Utilize uma extensão de cabo com secção permitida.
	O interruptor on/off não foi totalmente pressionado.	▶ Pressione o interruptor on/off o máximo possível.
A broca não avança.	O produto está comutado para rotação para a esquerda.	▶ Comute o produto para rotação para a direita.
	A broca está romba ou danificada.	▶ Rectifique a broca ou substitua-a.
A broca não roda.	Mandril não está bem apertado.	▶ Aperte o mandril.

## 11 Reciclagem

As ferramentas **Hilti** são, em grande parte, fabricadas com materiais recicláveis. Um pré-requisito para a reciclagem é que esses materiais sejam devidamente separados. Em muitos países, a **Hilti** aceita a sua ferramenta usada para reutilização. Para mais informações dirija-se ao Serviço de Clientes **Hilti** ou ao seu vendedor.



- ▶ Não deite as ferramentas eléctricas, aparelhos electrónicos e baterias no lixo doméstico!

## 12 Garantia do fabricante

- ▶ Se tiver dúvidas em relação às condições de garantia, contacte o seu parceiro **Hilti** local.

## 13 Mais informações

Pode consultar informações mais pormenorizadas sobre Utilização, Tecnologia, Meio ambiente e Reciclagem na seguinte hiperligação: [qr.hilti.com/manual/?id=273762](http://qr.hilti.com/manual/?id=273762)

Também pode encontrar esta hiperligação no final do manual de instruções sob a forma de código QR.







Hilti Corporation  
LI-9494 Schaan  
Tel.:+423 234 21 11  
Fax:+423 234 29 65  
[www.hilti.com](http://www.hilti.com)



273762