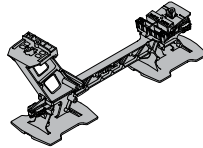




MSP-FR-SS 15
MSP-FR-SS 10



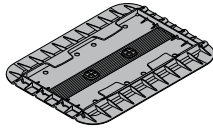
MSP-FR-SM 15
MSP-FR-SM 10



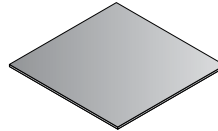
MSP-FR-SN 15
MSP-FR-SN 10



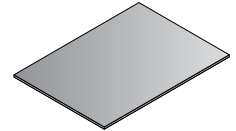
MSP-FR-LDP 230



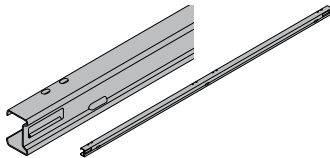
MSP-FR-LDP 380



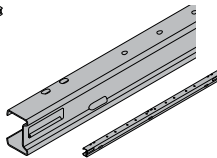
MSP-FR-AP 230



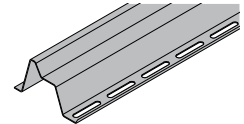
MSP-FR-AP 380



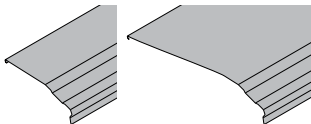
MSP-FR-CEW-1945-2005
MSP-FR-CEW-1620-1680
MSP-FR-CEW-1550-1610
MSP-FR-CEW-1450-1510



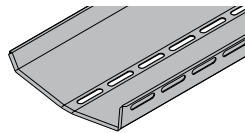
MSP-FR-CNS-1040-1095
MSP-FR-CNS-950-1010
MSP-FR-CNS-790-840



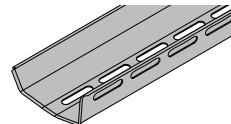
MSP-FR-BR-1685-2005
MSP-FR-BR



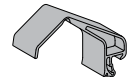
MSP-FR-CTC 80
MSP-FR-CTC 160



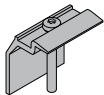
MSP-FR-CT 160



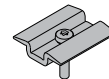
MSP-FR-CT 80



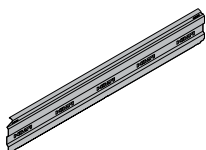
MSP-FR-CH



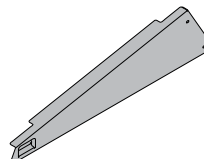
MSP-FR-EC 50, MSP-FR-EC 48, MSP-FR-EC 46
MSP-FR-EC 45, MSP-FR-EC 42, MSP-FR-EC 40
MSP-FR-EC 38, MSP-FR-EC 36, MSP-FR-EC 35
MSP-FR-EC 33



MSP-FR-MC 46-50
MSP-FR-MC 41-45
MSP-FR-MC 35-40
MSP-FR-MC 30-34



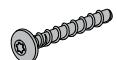
MSP-FR-WDN 1945-2005
MSP-FR-WDN 1620-1680
MSP-FR-WDN 1550-1610
MSP-FR-WDN 1450-1510



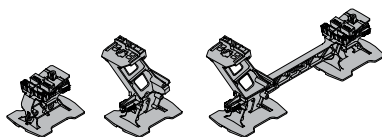
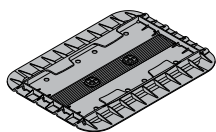
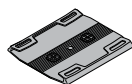
MSP-FR-WDE 15 1000,
MSP-FR-WDE 15 800
MSP-FR-WDE 10 1000,
MSP-FR-WDE 10 800



MSP-FR-S M6x16



MSP-FR-GS 6x60

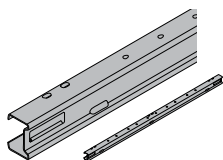
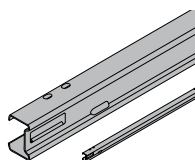
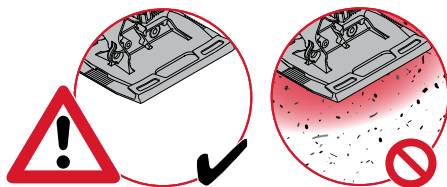
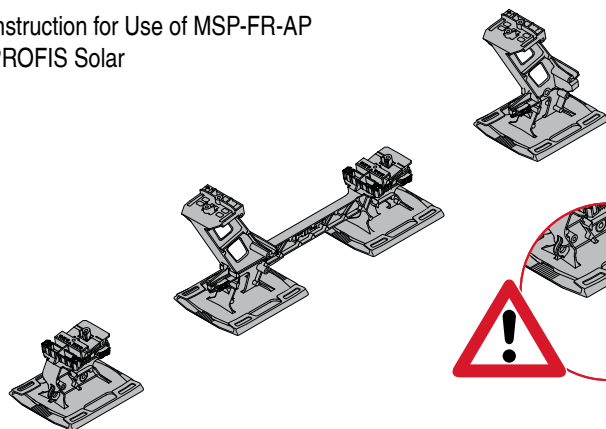


MSP-FR-LDP

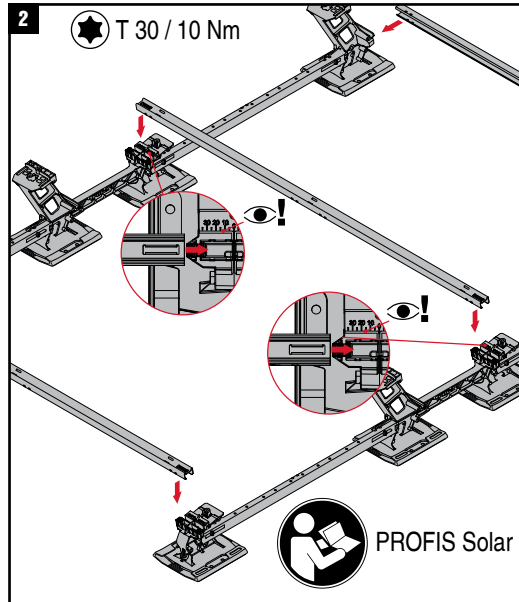
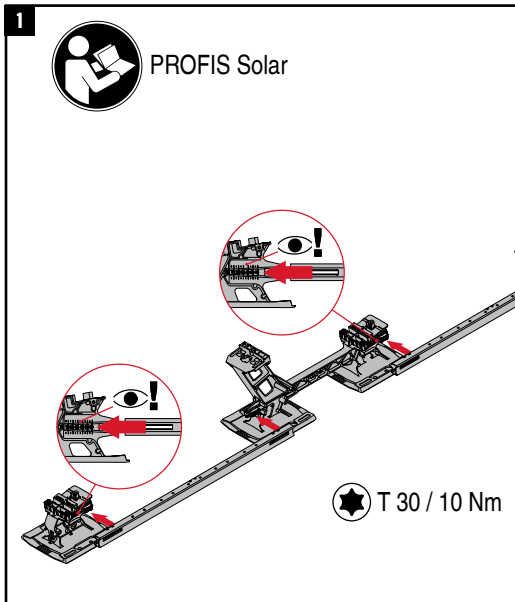
MSP-FR-SN, MSP-FR-SS, MSP-FR-SM

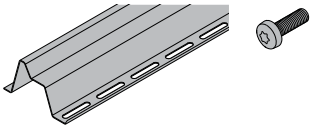


Instruction for Use of MSP-FR-AP
PROFIS Solar

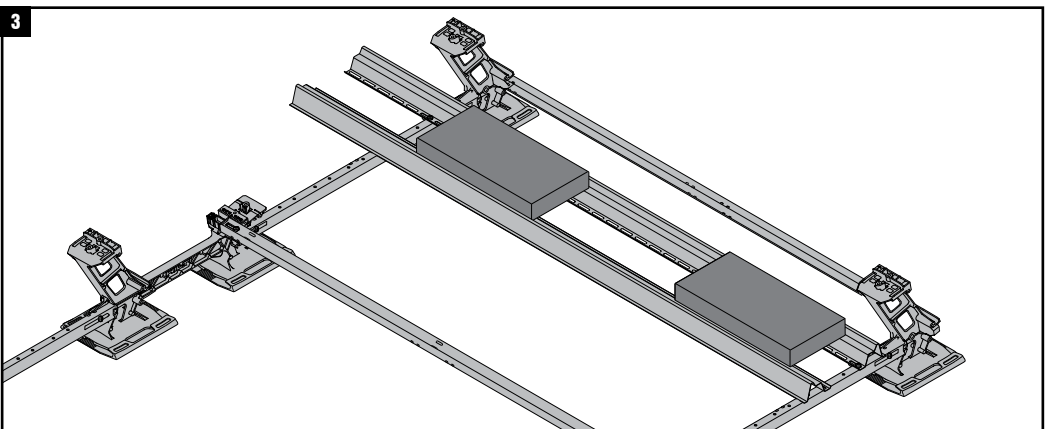
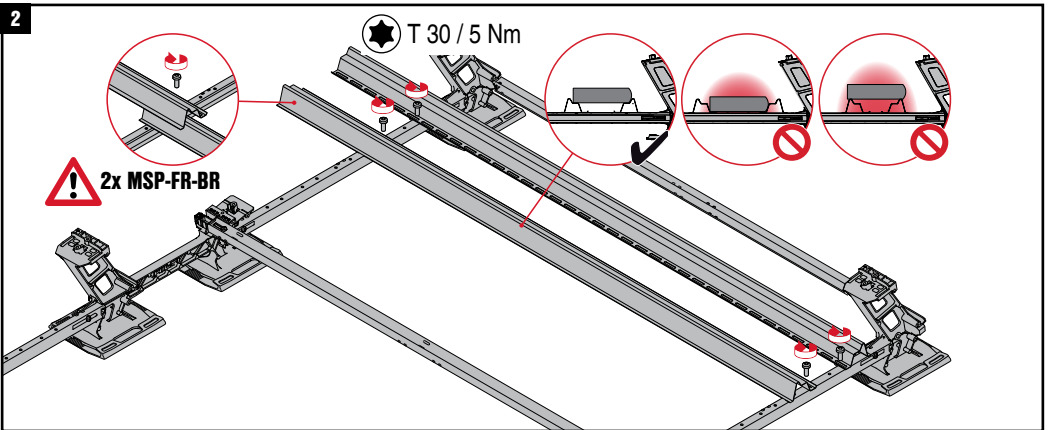
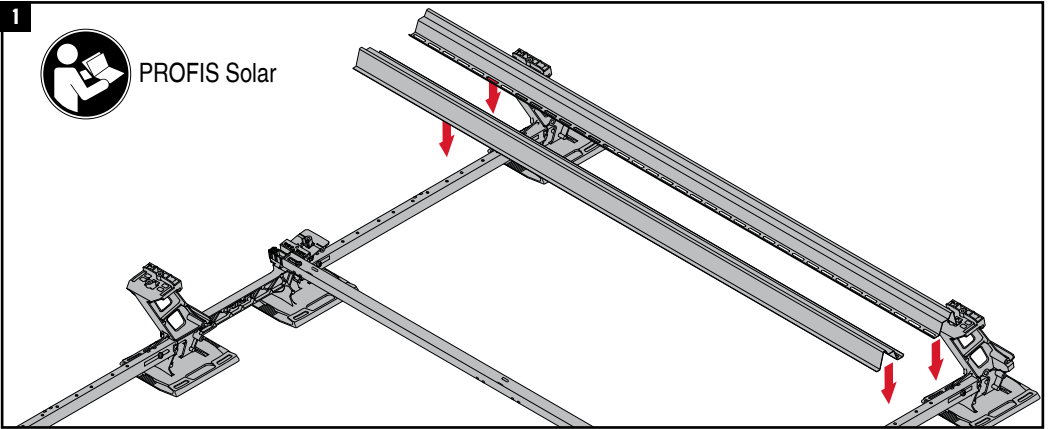


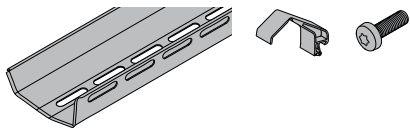
MSP-FR-CEW, MSP-FR-CNS, MSP-FR-S



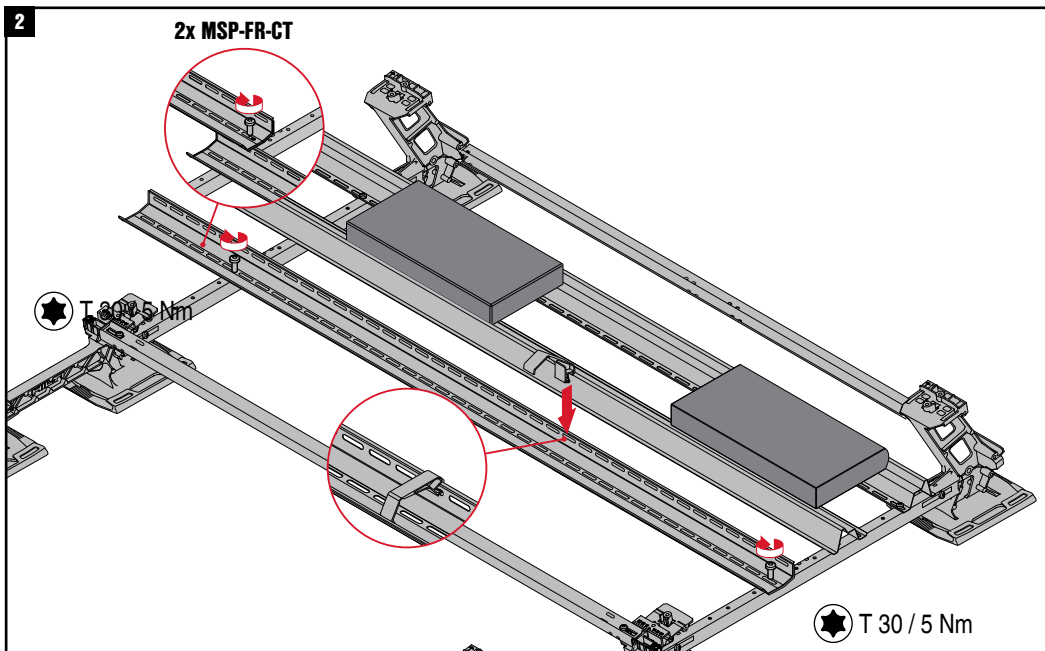
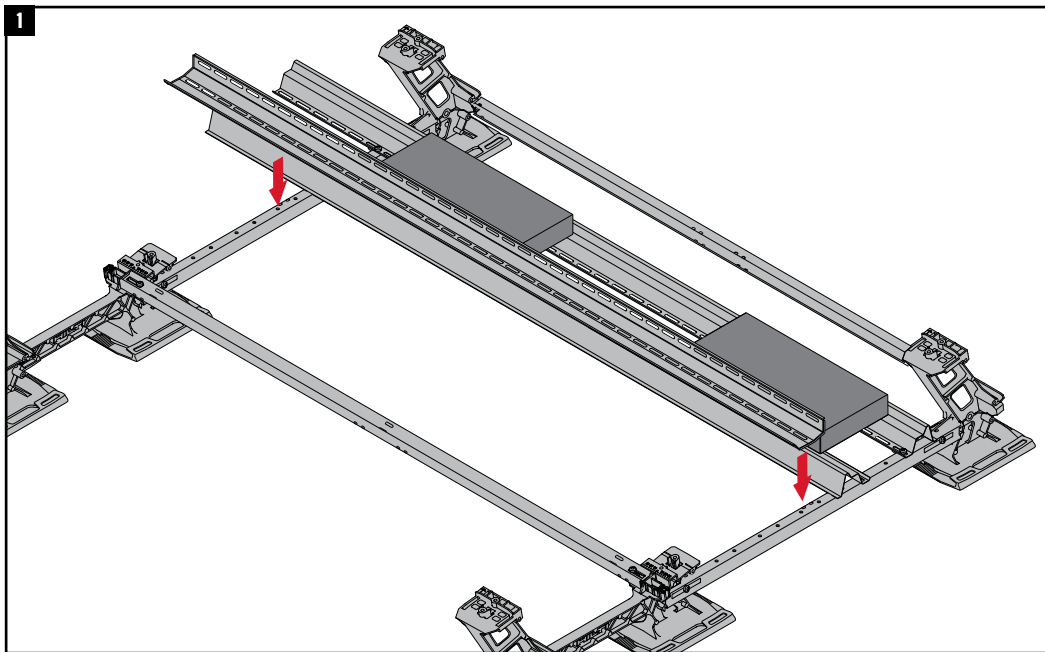


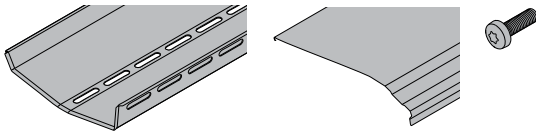
MSP-FR-BR, MSP-FR-S



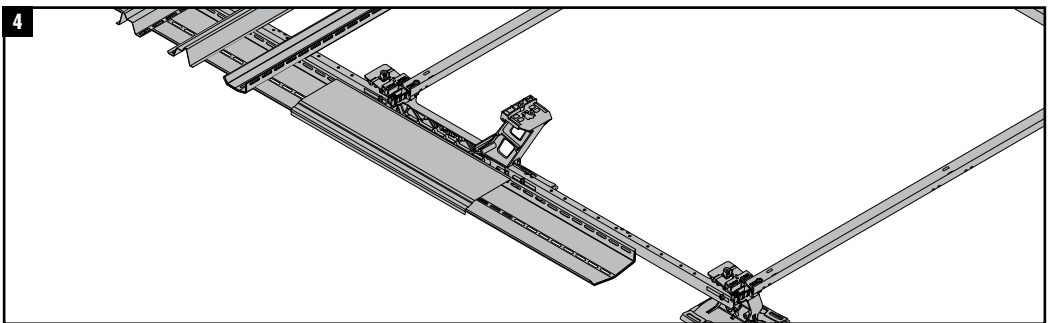
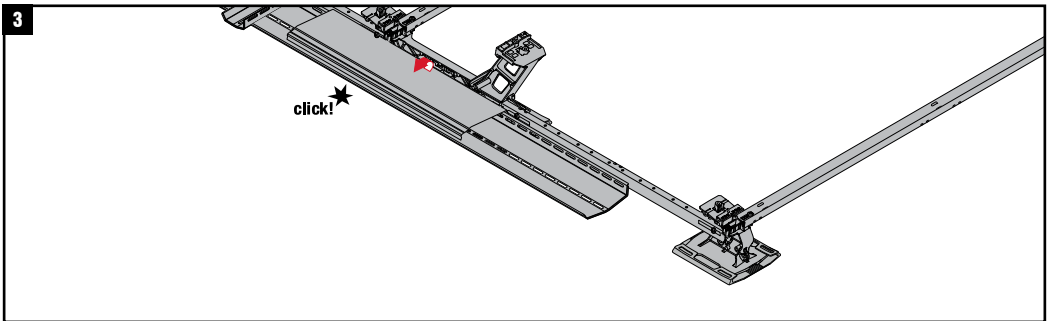
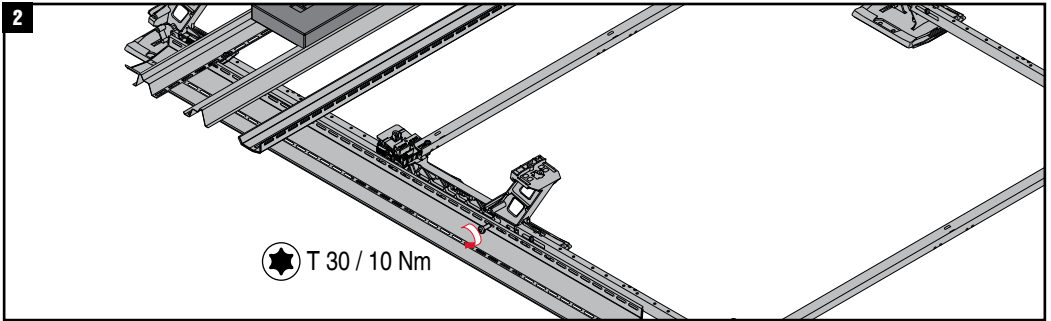
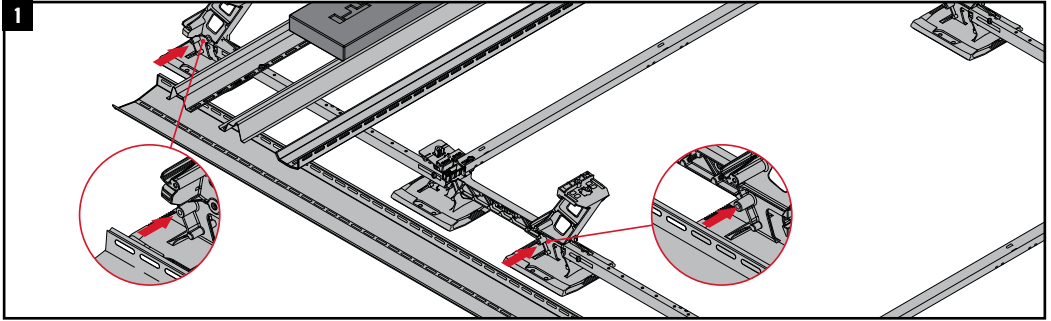


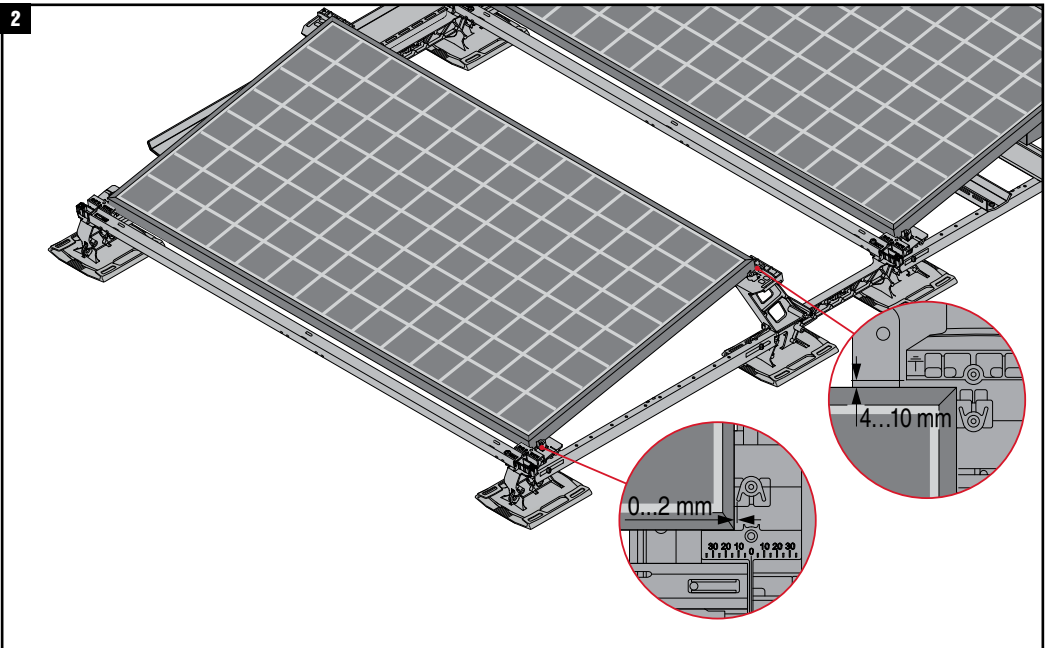
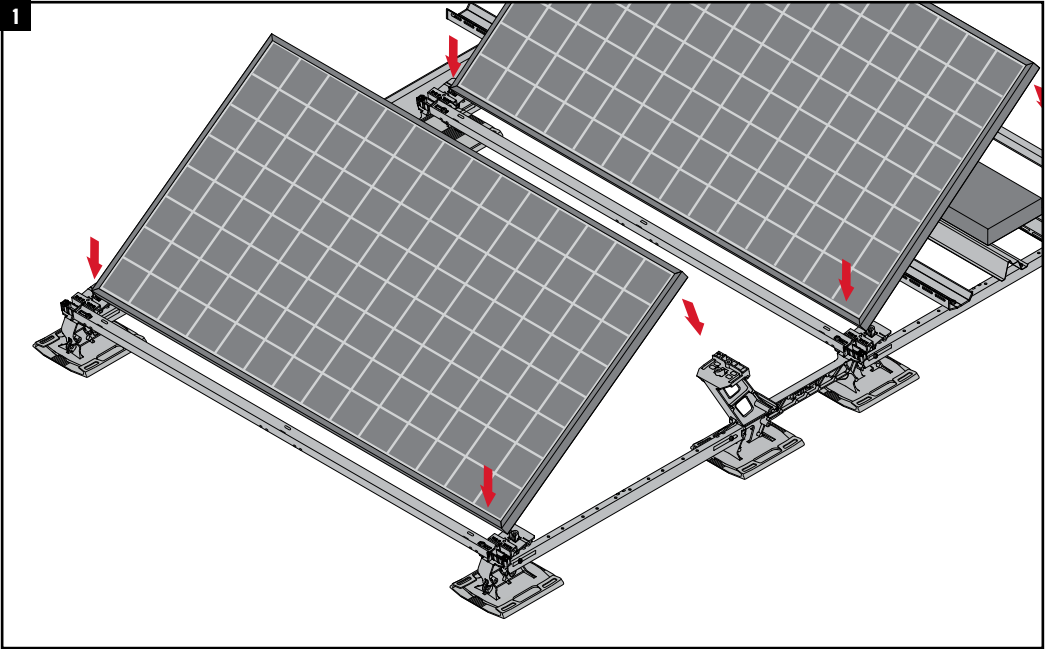
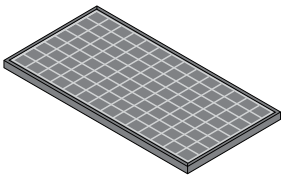
MSP-FR-CT, MSP-FR-CH, MSP-FR-S

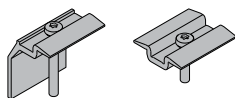




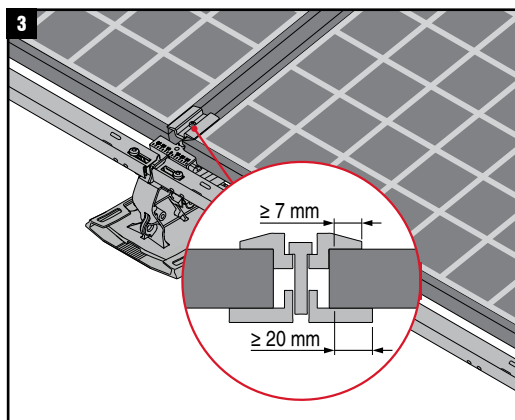
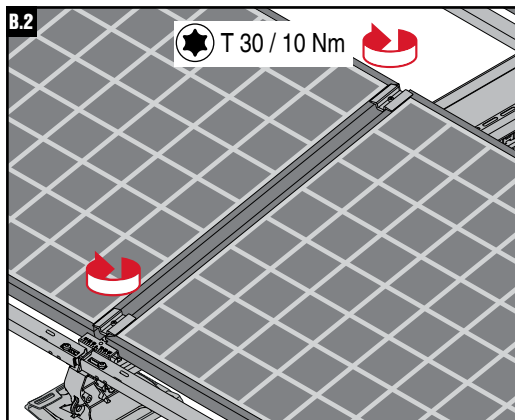
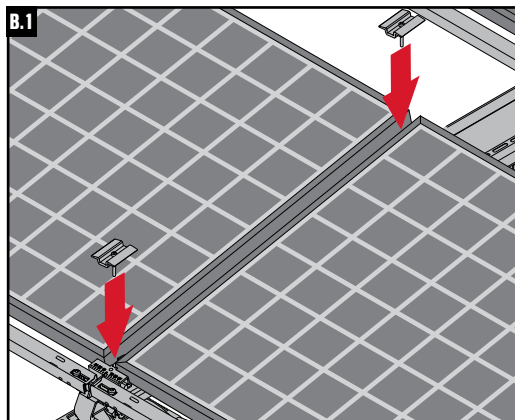
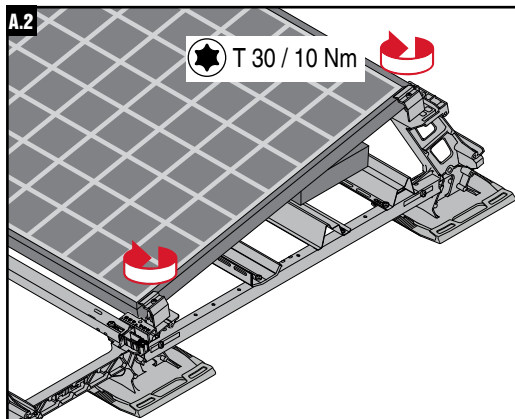
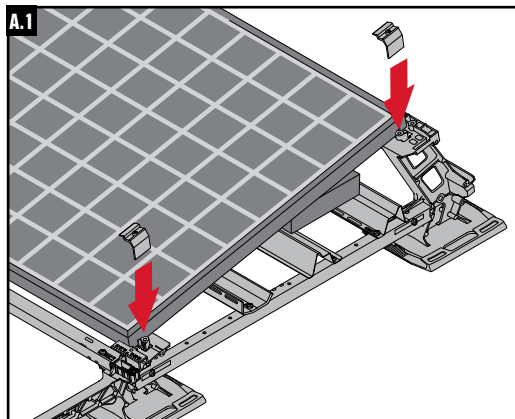
MSP-FR-CT, MSP-FR-CTC, MSP-FR-S

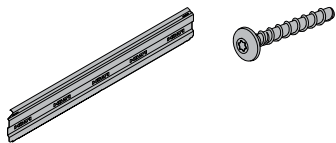




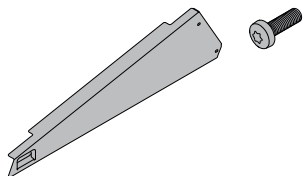
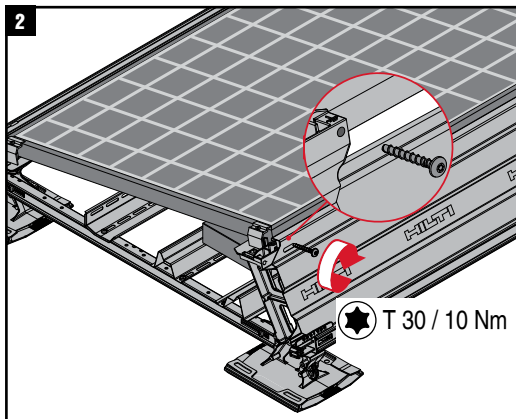
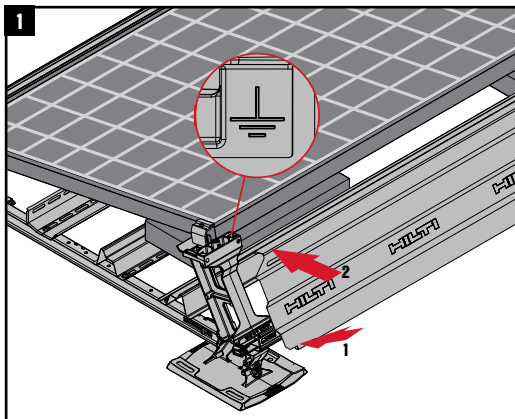


MSP-FR-EC, MSP-FR-MC





MSP-FR-WDN, MSP-FR-GS



MSP-FR-WDE

