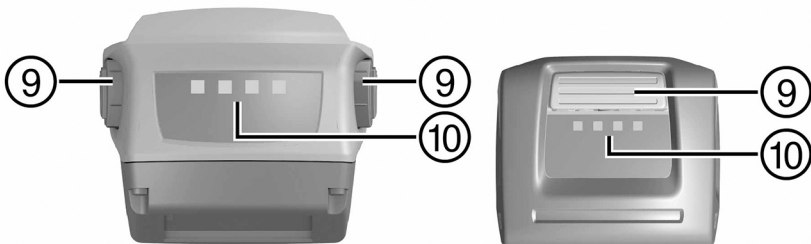
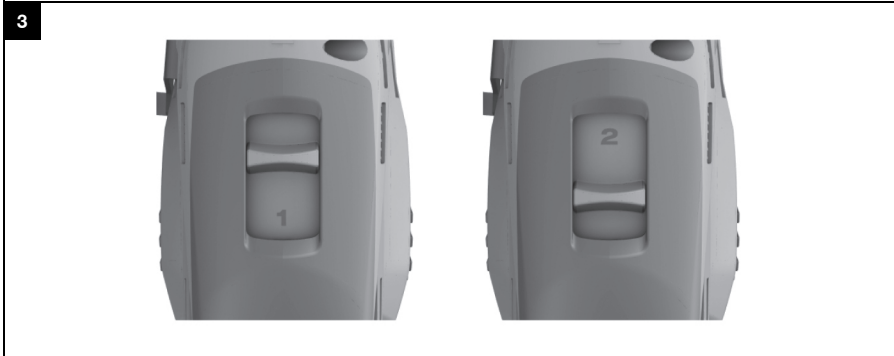
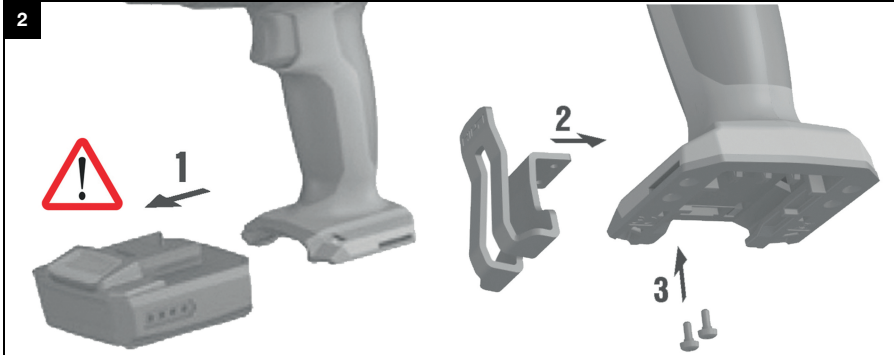




SFC 14-A
SFC 22-A

| | |
|------------|-----|
| English | 1 |
| Français | 10 |
| Dansk | 20 |
| Svenska | 30 |
| Norsk | 40 |
| Suomi | 49 |
| Eesti | 58 |
| Latviešu | 68 |
| Lietuvių | 77 |
| Русский | 87 |
| Українська | 98 |
| Қазақ | 109 |
| Türkçe | 119 |
| عربي | 130 |
| 日本語 | 140 |
| 한국어 | 149 |
| 繁體中文 | 158 |
| 中文 | 167 |





SFC 14-A

SFC 22-A

| | | |
|----|--|-----|
| en | Original operating instructions | 1 |
| fr | Notice d'utilisation originale | 10 |
| da | Original brugsanvisning | 20 |
| sv | Originalbruksanvisning | 30 |
| no | Original bruksanvisning | 40 |
| fi | Alkuperäiset ohjeet | 49 |
| et | Originaalkasutusjuhend | 58 |
| lv | Orģinālā lietošanas instrukcija | 68 |
| lt | Originali naudojimo instrukcija | 77 |
| ru | Оригинальное руководство по эксплуатации | 87 |
| uk | Ориģинальна інструкція з експлуатації | 98 |
| kk | Түпнұсқа пайдалану бойынша нұсқаулық | 109 |
| tr | Original kullanım kılavuzu | 119 |
| ar | دليل الاستعمال الأصلي | 130 |
| ja | オリジナル取扱説明書 | 140 |
| ko | 오리지널 사용 설명서 | 149 |
| zh | 原始操作說明 | 158 |
| cn | 原版操作说明 | 167 |

Original operating instructions

1 Information about the documentation

1.1 About this documentation

- Read this documentation before initial operation or use. This is a prerequisite for safe, trouble-free handling and use of the product.
- Observe the safety instructions and warnings in this documentation and on the product.
- Always keep the operating instructions with the product and make sure that the operating instructions are with the product when it is given to other persons.

1.2 Explanation of symbols used

1.2.1 Warnings

Warnings alert persons to hazards that occur when handling or using the product. The following signal words are used:

DANGER

DANGER !

- ▶ Draws attention to imminent danger that will lead to serious personal injury or fatality.

WARNING

WARNING !

- ▶ Draws attention to a potential threat of danger that can lead to serious injury or fatality.

CAUTION

CAUTION !

- ▶ Draws attention to a potentially dangerous situation that could lead to slight personal injury or damage to the equipment or other property.

1.2.2 Symbols in the documentation

The following symbols are used in this document:

| | |
|--|---|
| | Read the operating instructions before use. |
| | Instructions for use and other useful information |
| | Dealing with recyclable materials |
| | Do not dispose of electric equipment and batteries as household waste |

1.2.3 Symbols in the illustrations

The following symbols are used in illustrations:

| | |
|--|---|
| | These numbers refer to the corresponding illustrations found at the beginning of these operating instructions |
| | The numbering reflects the sequence of operations shown in the illustrations and may deviate from the steps described in the text |
| | Item reference numbers are used in the overview illustrations and refer to the numbers used in the product overview section |
| | This symbol is intended to draw special attention to certain points when handling the product. |



1.3 Product-dependent symbols

1.3.1 Symbols on the product

The following symbols are used on the product:

| | |
|--------|---|
| | Drilling without hammer action |
| /min | Revolutions per minute |
| n_0 | Rated speed under no load |
| == | Direct current (DC) |
| Li-Ion | Li-ion battery |
| | Hilti Li-ion battery type series used. Observe the information given in the section headed Intended use . |
| | The product supports wireless data transmission compatible with iOS and Android platforms. |
| | Never use the battery as a striking tool. |
| | Do not drop the battery. Never use a battery that has suffered an impact or is damaged in any other way. |

1.4 Product information

products are designed for professional users and only trained, authorized personnel are permitted to operate, service and maintain the products. This personnel must be specifically informed about the possible hazards. The product and its ancillary equipment can present hazards if used incorrectly by untrained personnel or if used not in accordance with the intended use.

The type designation and serial number are printed on the rating plate.

- ▶ Write down the serial number in the table below. You will be required to state the product details when contacting Hilti Service or your local Hilti organization to inquire about the product.

Product information → page 2

Product information

| | |
|--------------------------|----------------------|
| Cordless drill / driver: | SFC 22-A SFC 14-A |
| Generation: | 01 |
| Serial no.: | |

1.5 Declaration of conformity

We declare, on our sole responsibility, that the product described here complies with the applicable directives and standards. A copy of the declaration of conformity can be found at the end of this documentation.

The technical documentation is filed here:

Hilti Entwicklungsgesellschaft mbH | Tool Certification | Hiltistrasse 6 | 86916 Kaufering, Germany

2 Safety

2.1 General power tool safety warnings

WARNING

Read all safety warnings and all instructions. Failure to follow the warnings and instructions may result in electric shock, fire and/or serious injury.

Save all warnings and instructions for future reference.

Work area safety

- ▶ **Keep work area clean and well lit.** Cluttered or dark areas invite accidents.



- ▶ **Do not operate power tools in explosive atmospheres, such as in the presence of flammable liquids, gases or dust.** Power tools create sparks which may ignite the dust or fumes.
- ▶ **Keep children and bystanders away while operating a power tool.** Distractions can cause you to lose control.

Electrical safety

- ▶ **Avoid body contact with earthed or grounded surfaces, such as pipes, radiators, ranges and refrigerators.** There is an increased risk of electric shock if your body is earthed or grounded.
- ▶ **Do not expose power tools to rain or wet conditions.** Water entering a power tool will increase the risk of electric shock.

Personal safety

- ▶ **Stay alert, watch what you are doing and use common sense when operating a power tool. Do not use a power tool while you are tired or under the influence of drugs, alcohol or medication.** A moment of inattention while operating power tools may result in serious personal injury.
- ▶ **Use personal protective equipment. Always wear eye protection.** Protective equipment such as dust mask, non-skid safety shoes, hard hat, or hearing protection used for appropriate conditions will reduce personal injuries.
- ▶ **Prevent unintentional starting. Ensure the switch is in the off-position before connecting to battery pack, picking up or carrying the tool.** Carrying power tools with your finger on the switch or energising power tools that have the switch on invites accidents.
- ▶ **Remove any adjusting key or wrench before turning the power tool on.** A wrench or a key left attached to a rotating part of the power tool may result in personal injury.
- ▶ **Do not overreach. Keep proper footing and balance at all times.** This enables better control of the power tool in unexpected situations.
- ▶ **Dress properly. Do not wear loose clothing or jewellery. Keep your hair, clothing and gloves away from moving parts.** Loose clothes, jewellery or long hair can be caught in moving parts.
- ▶ **If devices are provided for the connection of dust extraction and collection facilities, ensure these are connected and properly used.** Use of dust collection can reduce dust-related hazards.

Power tool use and care

- ▶ **Do not force the power tool. Use the correct power tool for your application.** The correct power tool will do the job better and safer at the rate for which it was designed.
- ▶ **Do not use the power tool if the switch does not turn it on and off.** Any power tool that cannot be controlled with the switch is dangerous and must be repaired.
- ▶ **Disconnect the battery pack from the power tool before making any adjustments, changing accessories, or storing power tools.** Such preventive safety measures reduce the risk of starting the power tool accidentally.
- ▶ **Store idle power tools out of the reach of children and do not allow persons unfamiliar with the power tool or these instructions to operate the power tool.** Power tools are dangerous in the hands of untrained users.
- ▶ **Maintain power tools. Check for misalignment or binding of moving parts, breakage of parts and any other condition that may affect the power tool's operation. If damaged, have the power tool repaired before use.** Many accidents are caused by poorly maintained power tools.
- ▶ **Keep cutting tools sharp and clean.** Properly maintained cutting tools with sharp cutting edges are less likely to bind and are easier to control.
- ▶ **Use the power tool, accessories and tool bits etc. in accordance with these instructions, taking into account the working conditions and the work to be performed.** Use of the power tool for operations different from those intended could result in a hazardous situation.

Battery tool use and care

- ▶ **Recharge only with the charger specified by the manufacturer.** A charger that is suitable for one type of battery pack may create a risk of fire when used with another battery pack.
- ▶ **Use power tools only with specifically designated battery packs.** Use of any other battery packs may create a risk of injury and fire.
- ▶ **When battery pack is not in use, keep it away from other metal objects, like paper clips, coins, keys, nails, screws or other small metal objects, that can make a connection from one terminal to another.** Shorting the battery terminals together may cause burns or a fire.
- ▶ **Under abusive conditions, liquid may be ejected from the battery; avoid contact. If contact accidentally occurs, flush with water. If liquid contacts eyes, additionally seek medical help.** Liquid ejected from the battery may cause irritation or burns.



Service

- ▶ **Have your power tool serviced by a qualified repair person using only identical replacement parts.** This will ensure that the safety of the power tool is maintained.

2.2 Drill safety warnings

- ▶ **Use auxiliary handle(s), if supplied with the tool.** Loss of control can cause personal injury.
- ▶ **Hold power tool by insulated gripping surfaces, when performing an operation where the cutting accessory may contact hidden wiring.** Cutting accessory contacting a "live" wire may make exposed metal parts of the power tool "live" and could give the operator an electric shock.

2.3 Additional safety precautions for screwdrivers**Personal safety**

- ▶ Use the product only when it is in perfect working order.
- ▶ Never tamper with or modify the tool in any way.
- ▶ Use the auxiliary grips supplied with the power tool. Loss of control can cause personal injury.
- ▶ Always hold the tool firmly with both hands on the grips provided. Keep the grips clean and dry.
- ▶ Do not touch rotating parts – risk of injury!
- ▶ Wear suitable protective glasses, a hard hat, ear protection, protective gloves and light respiratory protection while using the power tool.
- ▶ Wear protective gloves also when changing the tool. Touching the accessory tool can result in cuts and burns.
- ▶ Wear eye protection. Flying fragments can injure the body and eyes.
- ▶ Before starting work, check the hazard class of the dust that will be produced when working. Use an industrial vacuum cleaner with an officially approved protection class in compliance with the locally applicable dust protection regulations. Dust from materials such as lead-based paint, certain types of wood and concrete/masonry/stone containing quartz, minerals or metal can be harmful to health.
- ▶ Make sure that the workplace is well ventilated and, where necessary, wear a respirator appropriate for the type of dust generated. Contact with or inhalation of the dust may cause allergic reactions and/or respiratory or other diseases among operators or bystanders. Certain kinds of dust are classified as carcinogenic such as oak and beech dust, especially in conjunction with additives for wood conditioning (chromate, wood preservative). Only specialists are permitted to handle material containing asbestos.
- ▶ Take breaks and do physical exercises to improve the blood circulation in your fingers. Exposure to vibration during long periods of work can lead to disorders of the blood vessels and nervous system in the fingers, hands and wrists.

Electrical safety

- ▶ Before beginning work, check the working area for concealed electric cables or gas and water pipes. External metal parts of the power tool may give you an electric shock if you damage an electric cable accidentally.

Power tool use and care

- ▶ Immediately switch off the power tool if the accessory tool jams. The power tool might twist off-line.
- ▶ Wait until the power tool stops completely before you lay it down.

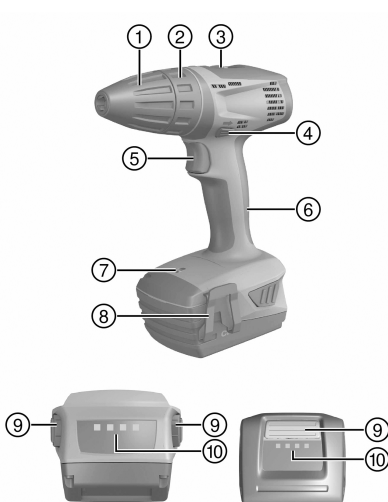
2.4 Battery use and care

- ▶ Observe the special regulations and instructions applicable to the transport, storage and use of Li-ion batteries.
- ▶ Do not expose batteries to high temperatures, direct sunlight or fire.
- ▶ Do not disassemble, crush or incinerate batteries and do not subject them to temperatures over 80 °C.
- ▶ Do not use or charge batteries that have suffered mechanical impact, have been dropped from a height or show signs of damage. In this case, always contact your **Hilti Service**.
- ▶ If the battery is too hot to touch it may be defective. In this case, place the product in a non-flammable location, well away from flammable materials, where it can be kept under observation and allowed to cool down. In this case, always contact your **Hilti Service**.



3 Description

3.1 Overview



- ① Keyless chuck
- ② Torque and drilling mode selector ring
- ③ 2-speed gear selector switch
- ④ Forward / reverse selector switch with safety lock
- ⑤ Control switch (with electronic speed control)
- ⑥ Grip
- ⑦ Lamp
- ⑧ Belt hook (optional)
- ⑨ Release buttons with additional function (charge status display activation)
- ⑩ Charge state and fault display (Li-ion battery)

3.2 Intended use

The product described is a hand-held cordless drill/driver. It is designed for driving and removing screws and for drilling in steel, wood and plastic.

- ▶ Use only **Hilti** Li-ion batteries of the B 14 and B22 series with this product.
- ▶ Use only **Hilti** battery chargers of the C4/36 series for charging these batteries.

3.3 Charge status display

The charge status of the Li-ion battery is displayed after pressing the release button.

| Status | Meaning |
|------------------|------------------------------|
| 4 LEDs light up. | Charge status: 75 % to 100 % |
| 3 LEDs light up. | Charge status: 50 % to 75 % |
| 2 LEDs light up. | Charge status: 25 % to 50 % |
| 1 LED lights up. | Charge status: 10 % to 25 % |
| 1 LED blinks. | Charge status: < 10 % |



Battery charge status cannot be displayed while the control switch is pressed.

3.4 Items supplied

Drill / driver, operating instructions.

- You can find other system products approved for use with your product at your local **Hilti** Center or online at: www.hilti.group.



4 Technical data

4.1 Technical data

| | SFC 14-A | SFC 22-A |
|---|--------------------------|--------------------------|
| Rated voltage | 14.4 V | 21.6 V |
| Weight in accordance with EPTA procedure 01 | 1.5 kg | 2.4 kg |
| Speed in 1st gear | 0 /min ... 500 /min | 0 /min ... 600 /min |
| Speed in 2nd gear | 0 /min ... 1,700 /min | 0 /min ... 1,800 /min |
| Torque (max.) | 24 Nm | 28 Nm |
| Torque range (15 settings) | 1.5 Nm ... 10 Nm | 1.5 Nm ... 10 Nm |

4.2 Battery

| | |
|---------------------------------------|------------------|
| Battery operating voltage | 14.4 V |
| Ambient temperature for operation | -17 °C ... 60 °C |
| Storage temperature | -20 °C ... 40 °C |
| Battery charging starting temperature | -10 °C ... 45 °C |

4.3 Battery

| | |
|---------------------------------------|------------------|
| Battery operating voltage | 21.6 V |
| Ambient temperature for operation | -17 °C ... 60 °C |
| Storage temperature | -20 °C ... 40 °C |
| Battery charging starting temperature | -10 °C ... 45 °C |

4.4 Noise information and vibration values in accordance with EN 60745

The sound pressure and vibration values given in these instructions were measured in accordance with a standardized test and can be used to compare one power tool with another. They can also be used for a preliminary assessment of exposure. The data given represents the main applications of the power tool. However, if the power tool is used for different applications, with different accessory tools, or is poorly maintained, the data can vary. This can significantly increase exposure over the total working period. An accurate estimation of exposure should also take into account the times when the tool is switched off, or when it is running but not actually being used for a job. This can significantly reduce exposure over the total working period. Identify additional safety measures to protect the operator from the effects of noise and/or vibration, for example: Maintaining the power tool and accessory tools, keeping the hands warm, organization of work patterns.

Noise emission values

| | SFC 14-A | SFC 22-A |
|---|----------|----------|
| Emission sound pressure level (L_{pA}) | 69 dB(A) | 69 dB(A) |
| Uncertainty for the sound pressure level (K_{pA}) | 3 dB(A) | 3 dB(A) |
| Sound (power) level | 80 dB(A) | 80 dB(A) |
| Uncertainty for the sound power level (K_{WA}) | 3 dB(A) | 3 dB(A) |

Total vibration

| | SFC 14-A | SFC 22-A |
|---|-----------------------|-----------------------|
| Vibration emission value for screwdriving (a_n) | < 2 m/s ² | < 2 m/s ² |
| Uncertainty for screwdriving (K) | 1.5 m/s ² | 1.5 m/s ² |
| Drilling in metal ($a_{n,d}$) | 2.67 m/s ² | 2.67 m/s ² |
| Uncertainty for drilling in metal (K) | 1.5 m/s ² | 1.5 m/s ² |



5 Preparations at the workplace

CAUTION

Risk of injury by inadvertent starting!

- ▶ Before inserting the battery, make sure that the product is switched off.
- ▶ Remove the battery before making any adjustments to the power tool or before changing accessories.

Observe the safety instructions and warnings in this documentation and on the product.

5.1 Charging the battery

1. Before charging the battery, read the operating instructions for the charger.
2. Make sure that the contacts on the battery and the contacts on the charger are clean and dry.
3. Use an approved charger to charge the battery.

5.2 Inserting the battery

CAUTION

Risk of injury by short circuit or falling battery!

- ▶ Before inserting the battery, make sure that the contacts on the battery and the contacts on the product are free of foreign matter.
- ▶ Make sure that the battery always engages correctly.

1. Charge the battery fully before using it for the first time.
2. Push the battery into the battery holder until it engages with an audible click.
3. Check that the battery is seated securely.

5.3 Removing the battery

1. Press the battery release buttons.
2. Remove the battery from the tool.

5.4 Fitting the belt hook (optional)

WARNING

Risk of injury. A falling power tool may present a risk of injury to yourself and others.

- ▶ Check that the belt hook is fitted securely before beginning work.



The belt hook allows the power tool to be attached to a belt worn by the operator. The belt hook can be fitted to allow attachment on the left or right side of the body.

- ▶ Fit the belt hook.

5.5 Fitting the accessory tool

1. Set the forward/reverse switch to the middle position or remove the battery from the power tool.
2. Check that the connection end of the accessory tool is clean. Clean the connection end if necessary.
3. Open the keyless chuck.
4. Insert the accessory tool into the keyless chuck and then turn the chuck firmly by hand until tight and several clicks are heard.
5. Check that the accessory tool is held securely.

6 Operation

Observe the safety instructions and warnings in this documentation and on the product.

6.1 Selecting the gear

- ▶ Select the gear.



6.2 Setting forward or reverse rotation



An interlock prevents switching while the motor is running.
The control switch is locked when the forward/reverse switch is in the middle position (safety lock).

- ▶ Set the forward/reverse switch to the desired direction of rotation.

6.3 Switching on

- ▶ Press the control switch.




Speed can be controlled steplessly right up to maximum by varying how far the control switch is pressed in.

6.4 Screwdriving

1. Set the torque and operating mode selector ring to the required torque.
2. Set the forward/reverse switch to the desired direction of rotation.

6.5 Drilling

1. Set the torque and operating mode selector ring to the  symbol.
2. Set the forward/reverse switch to the “forward” position.

6.6 Switching off

- ▶ Release the control switch.

6.7 Removing the accessory tool

1. Set the forward/reverse switch to the middle position or remove the battery from the power tool.
2. Open the keyless chuck.
3. Pull the accessory tool out of the keyless chuck.

7 Care and maintenance



WARNING

Risk of injury with battery inserted !

- ▶ Always remove the battery before carrying out care and maintenance tasks!

Care and maintenance of the tool

- Carefully remove stubborn dirt.
- Clean the air vents carefully with a dry brush.
- Use only a slightly damp cloth to clean the casing. Do not use cleaning agents containing silicone as these can attack the plastic parts.

Care of the Li-ion batteries

- Keep the battery free from oil and grease.
- Use only a slightly damp cloth to clean the casing. Do not use cleaning agents containing silicone as these may attack the plastic parts.
- Avoid ingress of moisture.

Maintenance

- Check all visible parts and controls for signs of damage at regular intervals and make sure that they all function correctly.
- Do not operate the product if signs of damage are found or if parts malfunction. Have it repaired immediately by **Hilti Service**.
- After cleaning and maintenance, fit all guards or protective devices and check that they function correctly.





To help ensure safe and reliable operation, use only genuine Hilti spare parts and consumables. Spare parts, consumables and accessories approved by Hilti for use with the product can be found at your local **Hilti Store** or online at: www.hilti.group.

8 Transport and storage of cordless tools

Transport

CAUTION

Accidental starting during transport !

- ▶ Always transport your products with the batteries removed!
- ▶ Remove the battery.
- ▶ Never transport batteries in bulk form (loose, unprotected).
- ▶ Check the tool and batteries for damage before use after long periods of transport.

Storage

CAUTION

Accidental damage caused by defective or leaking batteries !

- ▶ Always store your products with the batteries removed!
- ▶ Store the tool and batteries in a place that is as cool and dry as possible.
- ▶ Never store batteries in direct sunlight, on heating units or behind a window pane.
- ▶ Store the tool and batteries in a place where they cannot be accessed by children or unauthorized persons.
- ▶ Check the tool and batteries for damage before use after long periods of storage.

9 Troubleshooting

9.1 Troubleshooting

If the trouble you are experiencing is not listed in this table or you are unable to remedy the problem by yourself, please contact **Hilti Service**.

| Trouble or fault | Possible cause | Action to be taken |
|---|--|---|
| The power tool does not work. | The battery is not fully inserted. | ▶ Push the battery in until it engages with an audible double click. |
| | Low battery. | ▶ Change the battery and charge the empty battery. |
| | Electrical fault. | ▶ Remove the battery from the tool and contact Hilti Service . |
| The power tool does not work and one LED flashes. | Low battery. | ▶ Change the battery and charge the empty battery. |
| | The battery is too hot or too cold. | ▶ Bring the battery to the recommended operating temperature. |
| The on/off button cannot be pressed, i.e. the button is locked. | The forward/reverse selector switch is in the middle position. | ▶ Push the forward/reverse switch to the left or right. |
| LED 1 flashes | Low battery. | ▶ Change the battery and charge the empty battery. |
| | The tool is overloaded (application limits exceeded). | ▶ Pay attention to the power and performance rating of the product before using it, i.e. check its suitability for the job on hand. See the "Technical data" section. |
| The battery runs down more quickly than usual. | Very low ambient temperature. | ▶ Allow the battery to warm up slowly to room temperature. |



| Trouble or fault | Possible cause | Action to be taken |
|---|--|--|
| The battery does not engage with an audible double click. | The retaining lugs on the battery are dirty. | ▶ Clean the retaining lugs and push the battery in until it engages. Contact Hilti Service if the problem persists. |

10 Disposal

Most of the materials from which **Hilti** tools and appliances are manufactured can be recycled. The materials must be correctly separated before they can be recycled. In many countries, your old tools, machines or appliances can be returned to **Hilti** for recycling. Ask **Hilti** Service or your Hilti representative for further information.

Battery disposal

Improper disposal of batteries can result in health hazards from leaking gases or fluids.

- ▶ DO NOT send batteries through the mail!
- ▶ Cover the terminals with a non-conductive material (such as electrical tape) to prevent short circuiting.
- ▶ Dispose of your battery out of the reach of children.
- ▶ Dispose of the battery at your **Hilti Store**, or consult your local governmental garbage disposal or public health and safety resources for disposal instructions.



- ▶ Do not dispose of power tools, electronic equipment or batteries as household waste!

11 China RoHS (guideline on restriction of the use of dangerous substances)

The following links take you to the table of dangerous substances: qr.hilti.com/r4793 (SFC 14-A) and qr.hilti.com/r4833 (SFC 22-A).

You will find a link to the RoHS table, in the form of a QR code, at the end of this document.

12 Manufacturer's warranty

- ▶ Please contact your local **Hilti** representative if you have questions about the warranty conditions.

Notice d'utilisation originale

1 Indications relatives à la documentation

1.1 À propos de cette documentation

- Lire intégralement la présente documentation avant la mise en service. C'est la condition préalablement requise pour assurer la sécurité du travail et un maniement sans perturbations.
- Bien respecter les consignes de sécurité et les avertissements de la présente documentation ainsi que celles figurant sur le produit.
- Toujours conserver le mode d'emploi à proximité du produit et uniquement le transmettre à des tiers avec ce mode d'emploi.

1.2 Explication des symboles

1.2.1 Avertissements

Les avertissements attirent l'attention sur des dangers liés à l'utilisation du produit. Les termes de signalisation suivants sont utilisés :

DANGER

DANGER !

- ▶ Pour un danger imminent qui peut entraîner de graves blessures corporelles ou la mort.



AVERTISSEMENT

AVERTISSEMENT !

- Pour un danger potentiel qui peut entraîner de graves blessures corporelles ou la mort.

ATTENTION

ATTENTION !

- Pour attirer l'attention sur une situation pouvant présenter des dangers entraînant des blessures corporelles légères ou des dégâts matériels.

1.2.2 Symboles dans la documentation

Les symboles suivants sont utilisés dans la présente documentation :

| | |
|--|--|
| | Lire le mode d'emploi avant d'utiliser l'appareil |
| | Pour des conseils d'utilisation et autres informations utiles |
| | Maniement des matériaux recyclables |
| | Ne pas jeter les appareils électriques et les accus dans les ordures ménagères |

1.2.3 Symboles dans les illustrations

Les symboles suivants sont utilisés dans les illustrations :

| | |
|--|--|
| | Ces chiffres renvoient à l'illustration correspondante au début du présent mode d'emploi |
| | La numérotation détermine la séquence des étapes de travail dans l'image et peut se différencier de celles des étapes de travail dans le texte |
| | Les numéros de position sont utilisés dans l'illustration Vue d'ensemble et renvoient aux numéros des légendes dans la section Vue d'ensemble du produit |
| | Ce signe doit inviter à manier le produit en faisant particulièrement attention. |

1.3 Symboles spécifiques au produit

1.3.1 Symboles sur le produit

Les symboles suivants sont utilisés sur le produit :

| | |
|--------|--|
| | Perçage sans percussion |
| /min | Tours par minute |
| n_0 | Vitesse nominale à vide |
| | Courant continu |
| Li-Ion | Accu lithium-ions |
| | Série de type d'accu Li-Ion Hilti utilisée. Observer les instructions au chapitre Utilisation conforme à l'usage prévu . |
| | Le produit prend en charge la transmission de données sans fil qui est compatible avec les plates-formes iOS et Android. |
| | Ne jamais utiliser l'accu comme outil de percussion. |
| | Ne pas laisser tomber l'accu. Ne pas utiliser d'accu ayant subi un choc ou d'autres dommages. |



1.4 Informations produit

Les produits sont destinés aux professionnels et ne doivent être utilisés, entretenus et réparés que par un personnel autorisé et formé. Ce personnel doit être spécialement instruit quant aux dangers inhérents à l'utilisation de l'appareil. Le produit et ses accessoires peuvent s'avérer dangereux s'ils sont utilisés de manière incorrecte par un personnel non qualifié ou de manière non conforme à l'usage prévu. La désignation du modèle et le numéro de série figurent sur sa plaque signalétique.

- ▶ Inscrivez le numéro de série dans le tableau suivant. Les informations produit vous seront demandées lorsque vous contactez nos revendeurs ou services après-vente.

Caractéristiques produit → Page 12

Caractéristiques produit

| | |
|------------------------------|----------------------|
| Visseuse-perceuse sans fil : | SFC 22-A SFC 14-A |
| Génération : | 01 |
| N° de série : | |

1.5 Déclaration de conformité

Nous déclarons sous notre seule et unique responsabilité que le produit décrit ici est conforme aux directives et normes en vigueur. Une copie de la Déclaration de conformité se trouve en fin de la présente documentation.

Pour obtenir les documentations techniques, s'adresser à :

Hilti Entwicklungsgesellschaft mbH | Zulassung Geräte | Hiltistraße 6 | 86916 Kaufering, DE

2 Sécurité

2.1 Indications générales de sécurité pour les appareils électriques

⚠ AVERTISSEMENT ! Lire et comprendre toutes les consignes de sécurité et instructions. Tout manquement à l'observation des consignes de sécurité et instructions risque de provoquer une électrocution, un incendie et/ou de graves blessures.

Conservez toutes les consignes de sécurité et instructions.

Sécurité sur le lieu de travail

- ▶ **Conserver la zone de travail propre et bien éclairée.** Un lieu de travail en désordre ou mal éclairé augmente le risque d'accidents.
- ▶ **Ne pas faire fonctionner les outils électriques en atmosphère explosive et où se trouvent des liquides, des gaz ou poussières inflammables.** Les outils électriques produisent des étincelles qui peuvent enflammer les poussières ou les fumées.
- ▶ **Maintenir les enfants et les personnes présentes à l'écart pendant l'utilisation de l'outil électroportatif.** En cas d'inattention il y a risque de perdre le contrôle de l'appareil.

Sécurité relative au système électrique

- ▶ **Éviter les contacts du corps avec des surfaces mises à la terre tels que tuyaux, radiateurs, cuisinières et réfrigérateurs.** Il y a un risque élevé de choc électrique au cas où votre corps serait relié à la terre.
- ▶ **Ne pas exposer les outils électroportatifs à la pluie ou à l'humidité.** La pénétration d'eau à l'intérieur d'un outil électroportatif augmente le risque d'un choc électrique.

Sécurité des personnes

- ▶ **Rester vigilant, surveiller ce que l'on fait. Faire preuve de bon sens en utilisant l'outil électrique. Ne pas utiliser l'outil électrique en étant fatigué ou sous l'emprise de l'alcool, de drogues ou de médicaments.** Un moment d'inattention lors de l'utilisation de l'outil électrique peut entraîner des blessures graves.
- ▶ **Utiliser un équipement de sécurité et toujours porter une protection pour les yeux.** Les équipements de protection personnels tels que masque antipoussière, chaussures de sécurité antidérapantes, casque de protection ou protection acoustique suivant l'utilisation de l'outil électroportatif, réduiront le risque de blessures des personnes.
- ▶ **Éviter une mise en service par mégarde. S'assurer que l'outil électrique est arrêté avant de le brancher à l'accu, de le prendre ou de le porter.** Le fait de porter l'outil électroportatif avec le doigt sur l'interrupteur ou de brancher l'appareil sur la source de courant lorsque l'interrupteur est en position de fonctionnement peut entraîner des accidents.



- ▶ **Retirer tout outil de réglage ou toute clé avant de mettre l'outil électroportatif en fonctionnement.** Une clé ou un outil se trouvant sur une partie en rotation peut causer des blessures.
- ▶ **Adopter une bonne posture. Veiller à toujours garder une position stable et équilibrée.** Cela permet un meilleur contrôle de l'outil électroportatif dans des situations inattendues.
- ▶ **S'habiller de manière adaptée. Ne pas porter de vêtements amples ni de bijoux. Garder les cheveux, les vêtements et les gants à distance des parties en mouvement.** Des vêtements amples, des bijoux ou des cheveux longs peuvent être happés par des parties en mouvement.
- ▶ **Si des dispositifs servant à aspirer ou à recueillir les poussières doivent être utilisés, s'assurer qu'ils sont effectivement raccordés et correctement utilisés.** L'utilisation d'un dispositif d'aspiration de la poussière peut réduire les risques dus aux poussières.

Utilisation et maniement de l'outil électroportatif

- ▶ **Ne pas forcer l'appareil. Utiliser l'outil électroportatif adapté au travail à effectuer.** Un outil électroportatif approprié réalisera mieux le travail et de manière plus sûre au régime pour lequel il a été conçu.
- ▶ **Ne pas utiliser d'outil électroportatif dont l'interrupteur est défectueux.** Tout outil électroportatif qui ne peut plus être mis en ou hors fonctionnement est dangereux et doit être réparé.
- ▶ **Retirer le bloc-accu, avant d'effectuer des réglages sur l'appareil, de changer les accessoires ou de ranger l'appareil.** Cette mesure de précaution empêche une mise en fonctionnement par mégarde de l'outil électroportatif.
- ▶ **Conserver hors de portée des enfants les outils électroportatifs non utilisés. Ne pas permettre l'utilisation de l'appareil à des personnes qui ne se sont pas familiarisées avec celui-ci ou qui n'ont pas lu ces instructions.** Les outils électroportatifs sont dangereux lorsqu'ils sont entre les mains de personnes non initiées.
- ▶ **Prendre soin des outils électriques. Vérifier que les parties en mouvement fonctionnent correctement et qu'elles ne sont pas coincées, et contrôler si des parties sont cassées ou endommagées de sorte que le bon fonctionnement de l'outil électroportatif s'en trouve entravé. Faire réparer les parties endommagées avant d'utiliser l'appareil.** De nombreux accidents sont dus à des outils électroportatifs mal entretenus.
- ▶ **Garder les outils de coupe affûtés et propres.** Des outils destinés à couper correctement entretenus avec des arêtes de coupe tranchantes sont moins susceptibles de bloquer et sont plus faciles à contrôler.
- ▶ **L'outil électroportatif, les accessoires, les outils amovibles, etc. doivent être utilisés conformément à ces instructions. Tenir également compte des conditions de travail et du travail à réaliser.** L'utilisation des outils électroportatifs à d'autres fins que celles prévues peut entraîner des situations dangereuses.

Utilisation et maniement de l'outil sur accu

- ▶ **Ne charger les accus que dans des chargeurs recommandés par le fabricant.** Si un chargeur approprié à un type spécifique d'accu est utilisé avec des accus non recommandés pour celui-ci, il y a risque d'incendie.
- ▶ **Dans les outils électroportatifs, utiliser uniquement les accus spécialement prévus pour ceux-ci.** L'utilisation de tout autre accu peut entraîner des blessures et des risques d'incendie.
- ▶ **Tenir l'accu non utilisé à l'écart de tous objets métalliques tels qu'agrafes, pièces de monnaie, clés, clous, vis ou autres, étant donné qu'un pontage peut provoquer un court-circuit.** Un court-circuit entre les contacts d'accu peut provoquer des brûlures ou un incendie.
- ▶ **En cas d'utilisation abusive, du liquide peut sortir de l'accu. Éviter tout contact avec ce liquide.** Le liquide qui sort de l'accu peut entraîner des irritations de la peau ou causer des brûlures. En cas de contact par mégarde, rincer soigneusement avec de l'eau. En cas de contact de fluide avec les yeux, solliciter l'aide d'un personnel médical qualifié.

Service après-vente

- ▶ **L'outil électroportatif doit être réparé uniquement par un personnel qualifié, utilisant exclusivement des pièces de rechange d'origine.** Ceci permet d'assurer la sûreté de l'outil électroportatif.

2.2 Indications de sécurité pour les perceuses

- ▶ **Utiliser la poignée supplémentaire livrée avec l'appareil.** La perte de contrôle peut entraîner des blessures.
- ▶ **Tenir l'appareil par les surfaces isolées des poignées lors des travaux pendant lesquels l'outil utilisé risque de toucher des câbles électriques cachés.** Le contact avec un câble sous tension risque de mettre les parties métalliques de l'appareil sous tension et de provoquer une décharge électrique.



2.3 Consignes de sécurité supplémentaires spécifiques à la visseuse

Sécurité des personnes

- ▶ Utiliser le produit uniquement s'il est en parfait état.
- ▶ Ne jamais entreprendre de manipulation ou de modification sur l'appareil.
- ▶ Utiliser la poignée supplémentaire livrée avec l'appareil. La perte de contrôle peut entraîner des blessures.
- ▶ Toujours tenir l'appareil des deux mains par les poignées prévues à cet effet. Tenir les poignées toujours sèches et propres.
- ▶ Éviter de toucher des pièces en rotation – Risque de blessures !
- ▶ Pendant l'utilisation de l'appareil, porter des lunettes de protection adaptées, un casque de protection, un casque antibruit, des gants de protection et un masque respiratoire léger.
- ▶ Porter des gants de protection pour changer d'outil. Risque de blessures par coupure et de brûlures au contact avec l'outil amovible.
- ▶ Porter des lunettes de protection. Les éclats de matière peuvent entraîner des blessures corporelles et aux yeux.
- ▶ Avant le début du travail, prendre connaissance de la classe de risque de la poussière générée lors des travaux. Utiliser un aspirateur avec une classification de sécurité autorisée officiellement et conforme aux dispositions locales concernant les poussières. Les poussières de matériaux telles que des peintures contenant du plomb, certains types de bois, du béton / de la maçonnerie / des pierres naturelles qui contiennent du quartz ainsi que des minéraux et des métaux peuvent être nuisibles à la santé.
- ▶ Veiller à ce que le poste de travail soit bien ventilé et porter, le cas échéant, un masque de protection respiratoire adapté au type de poussières. Le contact ou l'aspiration de poussière peut provoquer des réactions allergiques et/ou des maladies respiratoires de l'utilisateur ou de toute personne se trouvant à proximité. Certaines poussières, telles que des poussières de chêne ou de hêtre, sont réputées être cancérogènes, en particulier lorsqu'elles sont combinées à des additifs destinés au traitement du bois (chromate, produit de protection du bois). Les matériaux contenant de l'amiante doivent seulement être manipulés par un personnel spécialisé.
- ▶ Faire régulièrement des pauses et des exercices de massage des doigts pour favoriser l'irrigation sanguine dans les doigts. Lors d'un travail prolongé, les vibrations peuvent provoquer des troubles de la circulation sanguine ou du système nerveux des doigts, des mains ou du poignet.

Sécurité relative au système électrique

- ▶ Avant d'entamer le travail, vérifier qu'il n'y a pas de câbles ou gaines électriques, tuyaux de gaz ou d'eau cachés dans la zone d'intervention. Toutes pièces métalliques extérieures de l'appareil sont susceptibles de provoquer une décharge électrique si un câble électrique est endommagé par inadvertance.

Utilisation et emploi soigneux de l'outil électroportatif

- ▶ Arrêter immédiatement l'outil électroportatif si l'outil se bloque. L'appareil peut dévier latéralement.
- ▶ Attendre jusqu'à ce que l'outil électroportatif soit arrêté avant de le déposer.

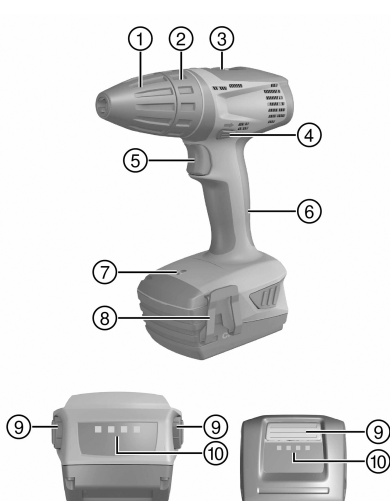
2.4 Utilisation et emploi soigneux des batteries

- ▶ Respecter les directives spécifiques relatives au transport, au stockage et à l'utilisation des batteries li-ion.
- ▶ Ne pas exposer les batteries à des températures élevées, ni au rayonnement direct du soleil ou au feu.
- ▶ Les batteries ne doivent pas être démontées, écrasées, chauffées à une température supérieure à 80 °C ou jetées au feu.
- ▶ Ne jamais utiliser ni charger d'accus qui ont subi un choc électrique, qui sont tombés de plus d'un mètre ou qui ont été endommagés d'une manière quelconque. Si tel est le cas, il convient de contacter le **S.A.V Hilti**.
- ▶ Si la batterie est trop chaude pour être touchée, elle peut être défectueuse. Déposer le produit à un endroit non inflammable d'où il peut être surveillé, à une distance suffisante de matériaux inflammables et le laisser refroidir. Si tel est le cas, il convient de contacter le **S.A.V Hilti**.



3 Description

3.1 Vue d'ensemble 1



- ① Mandrin à serrage rapide
- ② Bague de réglage du couple de rotation et de la fonction perçage
- ③ Commutateur à 2 vitesses
- ④ Inverseur du sens de rotation droite / gauche avec dispositif de blocage
- ⑤ Interrupteur de commande (avec variateur de vitesse électronique)
- ⑥ Poignée
- ⑦ Lampe
- ⑧ Patte d'accrochage (en option)
- ⑨ Boutons de déverrouillage avec fonction supplémentaire d'activation de l'indicateur de l'état de charge
- ⑩ Affichage de l'état de charge et des défauts (accu Li-Ion)

3.2 Utilisation conforme à l'usage prévu

Le produit décrit est une visseuse-perceuse sans fil à guidage manuel. Il a été conçu pour le vissage et serrage de vis, et le perçage dans de l'acier, du bois et du plastique.

- ▶ Pour ce produit, utiliser exclusivement les accus Li-Ion **Hilti** de la série B14 et B22.
- ▶ Pour ces accus, utiliser exclusivement les chargeurs **Hilti** de la série C4/36.

3.3 Indicateur de l'état de charge

L'état de charge de l'accu Li-Ion s'affiche après actionnement du bouton de déverrouillage.

| État | Signification |
|-----------------|-------------------------------|
| 4 LED allumées. | État de charge : 75 % à 100 % |
| 3 LED allumées. | État de charge : 50 % à 75 % |
| 2 LED allumées. | État de charge : 25 % à 50 % |
| 1 LED allumée. | État de charge : 10 % à 25 % |
| 1 LED clignote. | État de charge : < 10 % |

Si le variateur de vitesse électronique est activé, il n'est pas possible d'interroger l'indicateur de l'état de charge.

3.4 Éléments livrés

Visseuse-perceuse, mode d'emploi.

- D'autres produits système autorisés pour votre produit peuvent être obtenus auprès du S.A.V. **Hilti** ou en ligne sous : www.hilti.group.



4 Caractéristiques techniques

4.1 Caractéristiques techniques

| | SFC 14-A | SFC 22-A |
|----------------------------------|------------------------------|------------------------------|
| Tension de référence | 14,4 V | 21,6 V |
| Poids selon la procédure EPTA 01 | 1,5 kg | 2,4 kg |
| Vitesse de rotation 1ère vitesse | 0 tr/min ... 500 tr/min | 0 tr/min ... 600 tr/min |
| Vitesse de rotation 2ème vitesse | 0 tr/min ... 1.700 tr/min | 0 tr/min ... 1.800 tr/min |
| Couple prescrit (max.) | 24 Nm | 28 Nm |
| Réglage du couple (15 niveaux) | 1,5 Nm ... 10 Nm | 1,5 Nm ... 10 Nm |

4.2 Batterie

| | |
|---|------------------|
| Tension nominale de l'accu | 14,4 V |
| Température ambiante en cours de service | -17 °C ... 60 °C |
| Température de stockage | -20 °C ... 40 °C |
| Température de l'accu au début de la charge | -10 °C ... 45 °C |

4.3 Batterie

| | |
|---|------------------|
| Tension nominale de l'accu | 21,6 V |
| Température ambiante en cours de service | -17 °C ... 60 °C |
| Température de stockage | -20 °C ... 40 °C |
| Température de l'accu au début de la charge | -10 °C ... 45 °C |

4.4 Valeurs d'émissions acoustiques et de vibrations selon EN 60745

Les valeurs de pression acoustique et de vibrations triaxiales mentionnées dans ces instructions ont été mesurées conformément à un procédé de mesure normalisé et peuvent être utilisées comme base de comparaison entre outils électroportatifs. Elles servent également à une évaluation préalable de l'exposition aux bruits et aux vibrations. Les indications fournies correspondent aux principales applications de l'outil électroportatif. Ces données peuvent néanmoins différer si l'outil électroportatif est utilisé pour d'autres applications, avec des outils à monter différents ou que l'entretien s'avère insuffisant. Ceci peut augmenter considérablement les contraintes d'exposition dans tout l'espace de travail. Pour une évaluation précise des expositions, il convient également de prendre en compte les temps durant lesquels l'appareil est arrêté ou marche à vide. Ceci peut réduire considérablement les contraintes d'exposition dans tout l'espace de travail. Par ailleurs, il convient de prendre des mesures de sécurité supplémentaires en vue de protéger l'utilisateur des effets du bruit et/ou des vibrations, telles que : bien entretenir l'outil électroportatif ainsi que les outils à monter, maintenir les mains chaudes, optimiser l'organisation des opérations.

Valeurs d'émissions sonores

| | SFC 14-A | SFC 22-A |
|--|----------|----------|
| Niveau de pression acoustique d'émission (L_{pA}) | 69 dB(A) | 69 dB(A) |
| Incertitude sur le niveau de pression acoustique (K_{pA}) | 3 dB(A) | 3 dB(A) |
| Niveau de puissance acoustique | 80 dB(A) | 80 dB(A) |
| Incertitude sur le niveau de puissance acoustique (K_{WA}) | 3 dB(A) | 3 dB(A) |

Valeurs totales des vibrations

| | SFC 14-A | SFC 22-A |
|--|-----------------------|-----------------------|
| Valeur d'émission des vibrations Vissage (a_h) | < 2 m/s ² | < 2 m/s ² |
| Incertitude relative au vissage (K) | 1,5 m/s ² | 1,5 m/s ² |
| Perçage dans le métal ($a_{h,p}$) | 2,67 m/s ² | 2,67 m/s ² |
| Incertitude – Perçage dans le métal (K) | 1,5 m/s ² | 1,5 m/s ² |



5 Préparatifs

ATTENTION

Risque de blessures du fait d'une mise en marche inopinée !

- ▶ Avant d'insérer l'accu, s'assurer que le produit correspondant est bien sur arrêt.
- ▶ Retirer le bloc-accu, avant d'effectuer des réglages sur l'appareil ou de changer les accessoires.

Bien respecter les consignes de sécurité et les avertissements de la présente documentation ainsi que celles figurant sur le produit.

5.1 Recharge de l'accu

1. Avant de commencer la charge, lire le mode d'emploi du chargeur.
2. Veiller à ce que les contacts de l'accu et du chargeur sont propres et secs.
3. Charger l'accu à l'aide d'un chargeur homologué.

5.2 Introduction de l'accu

ATTENTION

Risque de blessures du fait d'un court-circuit ou de la chute de l'accu !

- ▶ Avant d'insérer l'accu dans l'appareil, s'assurer que les contacts de l'accu et les contacts sur le produit sont exempts de corps étrangers.
- ▶ S'assurer que l'accu s'encliquette toujours correctement.

1. L'accu doit être entièrement chargé avant la première mise en service.
2. Insérer l'accu dans l'appareil jusqu'à ce qu'il s'encliquette avec un clic audible.
3. Vérifier que l'accu est bien en place.

5.3 Retrait de l'accu

1. Appuyer sur les boutons de déverrouillage de l'accu.
2. Retirer l'accu hors de l'appareil.

5.4 Montage de la patte d'accrochage (en option)

AVERTISSEMENT

Risque de blessures. Une chute de l'appareil pourrait vous mettre en danger ou mettre en danger d'autres personnes.

- ▶ Avant de commencer à travailler, vérifier que la patte d'accrochage à la ceinture est bien fixée.



Cette patte permet d'accrocher l'appareil à la ceinture le long du corps. La patte d'accrochage peut être montée à droite ou à gauche selon le côté sur lequel l'appareil doit être porté.

- ▶ Monter la patte d'accrochage.

5.5 Mise en place de l'outil amovible

1. Mettre l'inverseur du sens de rotation droite / gauche sur la position médiane ou sortir l'accu de l'appareil.
2. Vérifier que l'emmanchement de l'outil amovible est bien propre. Nettoyer l'emmanchement si nécessaire.
3. Ouvrir le mandrin à serrage rapide.
4. Introduire l'outil amovible dans le mandrin à serrage rapide. et bien serrer le mandrin à serrage rapide, jusqu'à ce que plusieurs déclics mécaniques se fassent entendre.
5. Vérifier que l'outil amovible tient bien.

6 Utilisation


Bien respecter les consignes de sécurité et les avertissements de la présente documentation ainsi que celles figurant sur le produit.



6.1 Sélection de vitesse

- ▶ Choisir le régime approprié.


6.2 Sélection du sens de rotation droite / gauche

 Un dispositif de blocage empêche toute inversion du sens de rotation lorsque le moteur tourne. Dans la position médiane, l'interrupteur de commande est bloqué (blocage anti-démarrage).

- ▶ Régler l'inverseur du sens de rotation droite / gauche sur le sens de rotation souhaité.

6.3 Mise en marche


- ▶ Appuyer sur le variateur électronique de vitesse.

 La vitesse de rotation est augmentée progressivement jusqu'à sa valeur maximale selon la pression exercée sur le variateur électronique de vitesse.

6.4 Vissages

1. Régler le couple de rotation à l'aide de la bague de réglage du couple et de la fonction appropriée.
2. Régler l'inverseur du sens de rotation droite / gauche sur le sens de rotation souhaité.

6.5 Perçage

1. Régler la bague de réglage du couple et la fonction sur le symbole .
2. Régler l'inverseur du sens de rotation droite / gauche sur rotation à droite.

6.6 Arrêt

- ▶ Relâcher le variateur électronique de vitesse.

6.7 Retrait de l'outil amovible

1. Mettre l'inverseur du sens de rotation droite / gauche sur la position médiane ou sortir l'accu de l'appareil.
2. Ouvrir le mandrin à serrage rapide.
3. Retirer l'outil amovible hors du mandrin à serrage rapide.

7 Nettoyage et entretien

AVERTISSEMENT

Risque de blessures lorsque l'accu est inséré !

- ▶ Toujours retirer l'accu avant tous travaux de nettoyage et d'entretien !

Entretien de l'appareil

- Éliminer prudemment les saletés récalcitrantes.
- Nettoyer les ouïes d'aération avec précaution au moyen d'une brosse sèche.
- Nettoyer le boîtier uniquement avec un chiffon légèrement humidifié. Ne pas utiliser de nettoyeurs à base de silicone, ceci pourrait attaquer les pièces en plastique.

Entretien des accus Li-ion

- Veiller à ce que l'accu soit toujours propre et exempt de traces de graisse et d'huile.
- Nettoyer le boîtier uniquement avec un chiffon légèrement humidifié. Ne pas utiliser de nettoyeurs à base de silicone, ceci pourrait attaquer les pièces en plastique.
- Éviter toute pénétration d'humidité.

Entretien

- Vérifier régulièrement qu'aucune pièce visible n'est endommagée et que les organes de commande sont parfaitement opérationnels.
- En cas d'endommagements et/ou de dysfonctionnements, ne pas utiliser le produit. Le faire immédiatement réparer par le S.A.V. **Hilti**.



- Après des travaux de nettoyage et d'entretien, vérifier si tous les équipements de protection sont bien en place et fonctionnent parfaitement.



Pour une utilisation en toute sécurité, utiliser uniquement des pièces de rechange et consommables d'origine. Vous trouverez les pièces de rechange, consommables et accessoires autorisés convenant pour votre produit dans le centre **Hilti Store** ou sous : www.hilti.group.

8 Transport et stockage des appareils sur accu

Transport

ATTENTION

Mise en marche inopinée lors du transport !

- ▶ Toujours retirer les accus avant de transporter les produits !
- ▶ Retirer les accus.
- ▶ Ne jamais transporter les accus en vrac.
- ▶ Avant toute utilisation consécutive à un transport prolongé de l'appareil et des accus, toujours vérifier qu'ils ne sont pas endommagés.

Stockage

ATTENTION

Endommagement involontaire du fait d'accus défectueux ou de chute d'accu !

- ▶ Toujours retirer les accus avant de stocker les produits !
- ▶ Stocker l'appareil et les accus si possible au frais et au sec.
- ▶ Ne jamais stocker les accus exposés au soleil, sur des installations de chauffage ou derrière des vitres.
- ▶ Stocker l'appareil et les accus hors de portée des enfants et des personnes non autorisées.
- ▶ Avant toute utilisation consécutive à un stockage prolongé de l'appareil et des accus, toujours vérifier qu'ils ne sont pas endommagés.

9 Aide au dépannage

9.1 Aide au dépannage

En cas de défaillances non énumérées dans ce tableau ou auxquelles il n'est pas possible de remédier sans aide, contacter le S.A.V. **Hilti**.

| Défaillance | Causes possibles | Solution |
|---|--|---|
| L'appareil ne fonctionne pas. | L'accu n'est pas complètement encliqueté. | ▶ Encliqueter l'accu d'un « double-clic » audible. |
| | L'accu est déchargé. | ▶ Remplacer l'accu et charger l'accu vide. |
| | Erreur d'origine électrique. | ▶ Retirer l'accu de l'appareil et contacter le S.A.V. Hilti . |
| L'appareil ne fonctionne pas et une LED clignote. | L'accu est déchargé. | ▶ Remplacer l'accu et charger l'accu vide. |
| | Accu trop chaud ou trop froid. | ▶ Amener l'accu à la température de service recommandée. |
| Impossible d'enfoncer l'interrupteur Marche / Arrêt ou l'interrupteur est bloqué. | Inverseur du sens de rotation droite / gauche sur la position médiane. | ▶ Pousser l'inverseur du sens de rotation droite / gauche vers la gauche ou la droite. |
| La DEL 1 clignote | L'accu est déchargé. | ▶ Remplacer l'accu et charger l'accu vide. |
| | Charge excessive de l'appareil (limite d'emploi dépassée). | ▶ Avant d'entamer tout travail, tenir compte des indications de puissance du produit. Se référer aux caractéristiques techniques. |



| Défaillance | Causes possibles | Solution |
|--|---|---|
| L'accu se vide plus rapidement que d'habitude. | Température ambiante très basse. | ▶ Laisser l'accu se réchauffer lentement à la température de service. |
| L'accu ne s'encliquette pas avec un « double-clic » audible. | Ergots d'encliquetage encrassés sur l'accu. | ▶ Nettoyer les ergots d'encliquetage et encliqueter l'accu dans son logement. Si le problème persiste, contacter le S.A.V. Hilti . |

10 Recyclage

Les appareils **Hilti** sont fabriqués pour une grande partie en matériaux recyclables. Le recyclage présuppose un tri adéquat des matériaux. **Hilti** reprend les appareils usagés dans de nombreux pays en vue de leur recyclage. Consulter le service clients **Hilti** ou un conseiller commercial.

Élimination des accus

Une élimination non conforme des accus peut produire des émanations de gaz et de liquides nocives pour la santé.

- ▶ Ne pas envoyer ni expédier d'accus endommagés !
- ▶ Recouvrir les raccordements avec un matériau non conducteur pour éviter tout court-circuit.
- ▶ Éliminer les accus en veillant à ce qu'ils soient hors de la portée des enfants.
- ▶ Éliminer l'accu en le déposant auprès du **Hilti Store** local ou s'adresser à l'entreprise de collecte des déchets compétente.



- ▶ Ne pas jeter les appareils électriques, électroniques et accus dans les ordures ménagères !

11 China RoHS (directive relative à la limitation d'utilisation des substances dangereuses)

Vous trouverez sous les liens ci-dessous le tableau des substances dangereuses : qr.hilti.com/r4793 (SFC 14-A) et qr.hilti.com/r4833 (SFC 22-A).

Vous trouverez à la fin de la présente documentation un lien vers le tableau RoHS sous forme de code QR.

12 Garantie constructeur

- ▶ En cas de questions sur les conditions de garantie, veuillez vous adresser à votre partenaire **Hilti** local.

Original brugsanvisning

1 Oplysninger vedrørende dokumentationen

1.1 Vedrørende denne dokumentation

- Læs denne dokumentation igennem før ibrugtagning. Det er en forudsætning for sikkert arbejde og korrekt håndtering.
- Følg sikkerheds- og advarselshenvisningerne i denne dokumentation og på produktet.
- Opbevar altid brugsanvisningen sammen med produktet, og overdrag det kun til andre personer sammen med denne anvisning.

1.2 Tegnforklaring

1.2.1 Advarsler

Advarsler advarer mod farer ved håndtering af produktet. Følgende signalord anvendes:



FARE

FARE !

- ▶ Betegner en umiddelbart truende fare, der kan medføre alvorlige kvæstelser eller døden.

ADVARSEL

ADVARSEL !

- ▶ Står ved en potentielt truende fare, der kan medføre alvorlige kvæstelser eller døden.

FORSIGTIG

FORSIGTIG !

- ▶ Betegner en potentielt farlig situation, der kan forårsage lettere personskader eller materielle skader.

1.2.2 Symboler i denne dokumentation

Følgende symboler anvendes i denne dokumentation:

| | |
|--|---|
| | Læs brugsanvisningen før brug |
| | Anvisninger for anvendelse og andre nyttige oplysninger |
| | Håndtering af genvindbare materialer |
| | Elektriske maskiner og batterier må ikke bortskaffes som almindeligt husholdningsaffald |

1.2.3 Symboler i illustrationer

Følgende symboler anvendes på illustrationer:

| | |
|--|---|
| | Disse tal henviser til de forskellige illustrationer i begyndelsen af brugsanvisningen |
| | Nummereringen udtrykker arbejdsstrinnenes rækkefølge på illustrationen og kan afvige fra arbejdsstrinnene i teksten |
| | Positionsnumre anvendes i illustrationen Oversigt og refererer til tallene i symbolforklaringen i afsnittet Produktoversigt |
| | Dette symbol skal sikre skærpet opmærksomhed ved omgang med produktet. |

1.3 Produktspecifikke symboler

1.3.1 Symboler på produktet

Følgende symboler anvendes på produktet:

| | |
|--------|---|
| | Boring uden slagfunktion |
| /min | Omdrejninger pr. minut |
| n_0 | Nominelt omdrejningstal, ubelastet |
| | Jævnstrøm |
| Li-Ion | Lithium-ion-batteri |
| | Anvendt Hilti lithium-ion-batteriserie. Overhold oplysningerne i kapitlet Tilsigtet anvendelse . |
| | Produktet understøtter trådløs dataoverførsel, som er kompatibel med iOS- og Android-platformer. |
| | Brug aldrig batteriet som slagværktøj. |



2073071



Lad ikke batteriet falde på gulvet. Brug ikke et batteri, der har fået et slag eller på anden vis er beskadiget.

1.4 Produktoplysninger

-produkter er beregnet til professionel brug og må kun betjenes, efterses og vedligeholdes af autoriseret og instrueret personale. Dette personale skal i særdeleshed informeres om de potentielle farer, der er forbundet med anvendelsen af denne maskine. Der kan opstå farlige situationer ved anvendelse af produktet og det tilhørende udstyr, hvis det anvendes af personer, der ikke er blevet undervist i dens brug, eller hvis det ikke anvendes korrekt i henhold til forskrifterne i denne brugsanvisning.

Typebetegnelse og serienummer fremgår af typeskiltet.

- ▶ Notér serienummeret i den efterfølgende tabel. Du skal bruge produktoplysningerne ved henvendelser til vores lokale afdeling eller vores serviceværksted.

Produktoplysninger → Side 22

Produktoplysninger

| | |
|-----------------------------------|----------------------|
| Batteridrevet bore-/skruemaskine: | SFC 22-A SFC 14-A |
| Generation: | 01 |
| Serienummer: | |

1.5 Overensstemmelseserklæring

Vi erklærer som eneansvarlige, at det beskrevne produkt er i overensstemmelse med gældende direktiver og standarder. Sidst i dette dokument finder du et billede af overensstemmelseserklæringen.

Den tekniske dokumentation er arkiveret her:

Hilti Entwicklungsgesellschaft mbH | Zulassung Geräte | Hiltistraße 6 | 86916 Kaufering, DE

2 Sikkerhed

2.1 Generelle sikkerhedsanvisninger for elværktøj

⚠ ADVARSEL! Læs alle sikkerhedsanvisninger og instruktioner. Hvis sikkerhedsanvisningerne og instruktionerne ikke overholdes, er der risiko for elektrisk stød, brand og/eller alvorlige personskader.

Opbevar alle sikkerhedsanvisninger og instruktioner til senere brug.

Arbejdspladssikkerhed

- ▶ **Sørg for at holde arbejdsområdet ryddeligt og godt oplyst.** Uorden eller uoplyste arbejdsområder øger faren for uheld.
- ▶ **Brug ikke elværktøj i eksplosionstruede omgivelser, hvor der er brændbare væsker, gasser eller støv.** Elværktøj kan slå gnister, der kan antænde støv eller dampe.
- ▶ **Sørg for, at andre personer og ikke mindst børn holdes væk fra arbejdsområdet, når elværktøjet er i brug.** Hvis man distraheres, kan man miste kontrollen over maskinen.

Elektrisk sikkerhed

- ▶ **Undgå kropskontakt med jordforbundne overflader som f.eks. rør, radiatorer, komfurer og køleskabe.** Hvis din krop er jordforbundet, øges risikoen for elektrisk stød.
- ▶ **Elværktøj må ikke udsættes for regn eller fugt.** Indtrængning af vand i elværktøj øger risikoen for elektrisk stød.

Personlig sikkerhed

- ▶ **Det er vigtigt at være opmærksom, se, hvad man laver, og bruge elværktøjet fornuftigt. Anvend aldrig elværktøj, hvis du er trætt eller påvirket af stoffer, alkohol eller medicin.** Et øjeblikks uopmærksomhed under brugen af elværktøjet kan medføre alvorlige personskader.
- ▶ **Brug beskyttelsesudstyr, og hav altid beskyttelsesbriller på.** Brug af sikkerhedsudstyr som f.eks. støvmaske, skridsikkert fodtøj, beskyttelseshjelm eller høreværn afhængigt af elværktøjets type og anvendelse nedsætter risikoen for personskader.
- ▶ **Undgå utilsigtet igangsætning. Kontrollér, at elværktøjet er frakoblet, før du slutter det til batteriet, tager det op eller transporterer det.** Undgå at bære elværktøjet med fingeren på afbryderen, og sørg for, at det ikke er tændt, når det slutes til nettet, da dette øger risikoen for personskader.
- ▶ **Fjern indstillingsværktøj eller skruenøgler, inden elværktøjet tændes.** Hvis et stykke værktøj eller en nøgle sidder i en roterende maskindel, er der risiko for personskader.



- ▶ **Undgå at arbejde i unormale kroppsstillinger. Sørg for at stå sikkert, mens der arbejdes, og kom ikke ud af balance.** Det er derved nemmere at kontrollere elværktøjet, hvis der skulle opstå uventede situationer.
- ▶ **Brug egnet arbejdstøj. Undgå løse beklædningsgenstande eller smykker. Hold hår, tøj og handsker væk fra dele, der bevæger sig.** Dele, der er i bevægelse, kan gribe fat i løstsiddende tøj, smykker eller langt hår.
- ▶ **Hvis støvudsugnings- og opsamlingsudstyr kan monteres, er det vigtigt, at dette tilsluttes og benyttes korrekt.** Ved at anvende en støvudsugning er det muligt at nedsætte risiciene som følge af støv.

Anvendelse og pleje af elværktøjet

- ▶ **Undgå at overbelaste maskinen. Brug altid en maskine, der er beregnet til det stykke arbejde, der skal udføres.** Med det rigtige værktøj arbejder man bedst og mest sikkert inden for det angivne effektområde.
- ▶ **Brug ikke elværktøj, hvis afbryderen er defekt.** En maskine, der ikke kan startes og stoppes, er farlig og skal repareres.
- ▶ **Fjern batteriet, inden du foretager indstillinger, skifter tilbehørsdele eller lægger maskinen væk.** Disse sikkerhedsforanstaltninger forhindrer utilsigtet start af elværktøjet.
- ▶ **Opbevar ubenyttede elværktøjer uden for børns rækkevidde. Lad aldrig personer, der ikke er fortrolige med elværktøjet eller ikke har gennemlæst sikkerhedsanvisningerne benytte dette.** Elværktøj er farligt, hvis det benyttes af ukyndige personer.
- ▶ **Sørg for at pleje elværktøj omhyggeligt. Kontrollér, om bevægelige dele fungerer korrekt og ikke sidder fast, og om delene er brækket eller beskadiget, således at elværktøjets funktion påvirkes. Få beskadigede dele repareret, inden elværktøjet tages i brug.** Mange uheld skyldes dårligt vedligeholdte elværktøjer.
- ▶ **Sørg for, at skæreværktøjer er skarpe og rene.** Omhyggeligt vedligeholdte skæreværktøjer med skarpe skærekanter sætter sig ikke så hurtigt fast og er nemmere at føre.
- ▶ **Anvend elværktøj, tilbehør, indsatsværktøj osv. i overensstemmelse med disse anvisninger. Tag hensyn til arbejdsforholdene og det arbejde, der skal udføres.** I tilfælde af anvendelse af maskinen til formål, som ligger uden for det fastsatte anvendelsesområde, kan der opstå farlige situationer.

Anvendelse og pleje af batteridrevet elværktøj

- ▶ **Oplad kun batterier i ladere, der er anbefalet af fabrikanten.** Der er risiko for brand, hvis en lader, der er beregnet til et bestemt batteri, anvendes til opladning af en anden batteritype.
- ▶ **Brug kun de batterier, der er beregnet til elværktøjet.** Brug af andre batterier øger risikoen for personskader og er forbundet med brandfare.
- ▶ **Ikke benyttede batterier må ikke komme i berøring med kontorclips, mønter, nøgler, søm, skruer eller andre små metalgenstande, da disse kan kortslutte kontakterne.** En kortslutning mellem batterikontakterne øger risikoen for personskader i form af forbrændinger.
- ▶ **Hvis batteriet anvendes forkert, kan der løbe væske ud af batteriet. Undgå at komme i kontakt med denne væske.** Batterivæske kan give hudirritation eller forbrændinger. Hvis det alligevel skulle ske, skylles med vand. Søg læge, hvis væsken kommer i øjnene.

Service

- ▶ **Sørg for, at elværktøjet kun repareres af kvalificerede fagfolk, og at der altid benyttes originale reservedele.** Dermed sikres størst mulig elværktøjssikkerhed.

2.2 Sikkerhedsanvisninger for boremaskiner

- ▶ **Brug de ekstrahåndgreb, som følger med maskinen.** Hvis du mister kontrollen, kan det medføre personskader.
- ▶ **Hold maskinen på de isolerede grebsflader, når du udfører opgaver, hvor indsatsværktøjet kan ramme skjulte strømledninger.** Ved kontakt med en spændingsførende ledning kan også metalliske værktøjsdele sættes under spænding, hvilket kan medføre elektrisk stød.

2.3 Yderligere sikkerhedsanvisninger for skruemaskinen

Personlig sikkerhed

- ▶ Anvend kun produktet i teknisk fejlfri stand.
- ▶ Foretag aldrig manipulationer eller ændringer på maskinen.
- ▶ Brug de ekstrahåndgreb, som følger med maskinen. Hvis du mister kontrollen, kan det medføre personskader.



- ▶ Hold altid maskinen med begge hænder på de dertil beregnede håndtag. Sørg for, at håndgrebene er tørre og rene.
- ▶ Undgå berøring af roterende dele - fare for personskader!
- ▶ Anvend egnede beskyttelsesbriller, sikkerhedshjelm, høreværn, beskyttelseshandsker og et let åndedrætsværn under brugen af maskinen.
- ▶ Brug også beskyttelseshandsker, når du skifter værktøj. Berøring af indsatsværktøjet kan medføre snitsår og forbrændinger.
- ▶ Brug øjenværn. Splinterne fra materialet kan medføre skader på legeme og øjne.
- ▶ Find ud af, hvilken fareklasse det støv, der opstår ved arbejdet, har, inden du går i gang med arbejdet. Anvend en industristøvsuger med en officielt tilladt beskyttelsesklassificering, som opfylder de lokale støvbeskyttelsesbestemmelser. Støv fra materialer såsom blyholdig maling, visse træsorter, beton / murværk / natursten, som indeholder kvarts, og mineraler samt metal kan være sundhedsfarlige.
- ▶ Sørg for en god ventilation af arbejdspladsen, og brug om nødvendigt et åndedrætsværn, som egner sig til den pågældende støvtype. Berøring eller indånding af støv kan medføre allergiske reaktioner og/eller luftvejssygdomme hos brugeren eller personer, der opholder sig i nærheden. Bestemte støvtyper, f.eks. støv fra ege- og bøgetræ, er kræftfremkaldende, især i forbindelse med tilsætningsstoffer til træbehandling (kromat, træbeskyttelsesmidler). Asbestholdige materialer må kun håndteres af fagfolk.
- ▶ Hold pauser under arbejdet, og lav øvelser, så dine fingre får en bedre blodgennemstrømning. Ved længerevarende arbejde kan vibrationer medføre forstyrrelser af fingrenes, hændernes eller håndleddenes blodkar og nervesystem.

Elektrisk sikkerhed

- ▶ Kontrollér før påbegyndelse af arbejdet arbejdsområdet for skjulte elektriske ledninger, gas- og vandrør, f.eks. med en metaldetektor. Udvendige metaldele på maskinen kan medføre elektrisk stød, hvis du ved en fejl kommer til at beskadige en ledning.

Omhyggelig omgang med og brug af elværktøj

- ▶ Sluk omgående elværktøjet, når værktøjet er blokeret. Maskinen kan trække til siden.
- ▶ Vent, indtil elværktøjet er standset helt, før du lægger det fra dig.

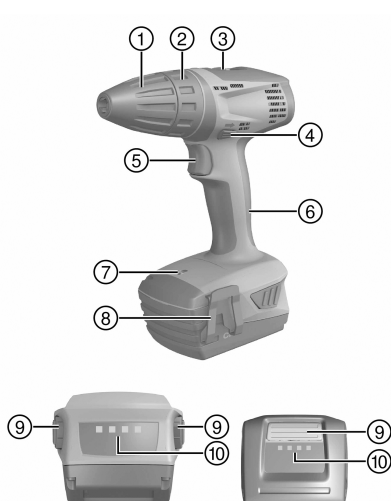
2.4 Omhyggelig omgang med og brug af batterier

- ▶ Læs de særlige retningslinjer for transport, opbevaring og brug af lithium-ion-batterier.
- ▶ Hold batterier på sikker afstand af høje temperaturer, direkte solindstråling og ild.
- ▶ Batterierne må ikke adskilles, klemmes, opvarmes til over 80 °C eller brændes.
- ▶ Anvend og oplad ikke batterier, som har fået et slag, er faldet på gulvet fra mere end en meters højde eller på anden vis er blevet beskadiget. Kontakt i så fald altid **Hilti Service**.
- ▶ Hvis batteriet er for varmt til at kunne røres, kan det være defekt. Placer produktet på et ikke-brændbart sted i tilstrækkelig afstand til brændbare materialer, hvor det er muligt at holde øje med det, og lad det køle af. Kontakt i så fald altid **Hilti Service**.



3 Beskrivelse

3.1 Oversigt



- ① Selvspændende borepatron
- ② Indstillingsring til drejningsmoment og boring
- ③ Gearvælger
- ④ Omskifter til valg af højre-/venstreløb med startspærre
- ⑤ Afbryder (med elektronisk hastighedsstyring)
- ⑥ Håndgreb
- ⑦ Lampe
- ⑧ Bæltekrog (ekstratilbehør)
- ⑨ Frigøringsknapper med ekstrafunktion til aktivering af ladetilstandsvisning
- ⑩ Ladetilstands- og fejlvisning (lithium-ion-batteri)

3.2 Bestemmelsesmæssig anvendelse

Det beskrevne produkt er en håndført batteridrevet bore-/skruemaskine. Den er beregnet til iskruning og løsning af skruer og til boring i stål, træ og kunststof.

- ▶ Anvend kun **Hilti** lithium-ion-akkuer i typeserien B14 og B22 til dette produkt.
- ▶ Anvend kun **Hilti** ladere i C4/36-serien til disse batterier.

3.3 Ladestatusindikator

Lithium-ion-batteriets ladetilstand vises efter berøring af batterifrigøringsknappen.

| Tilstand | Betydning |
|---------------------|------------------------------|
| 4 lysdioder. | Ladetilstand: 75 % til 100 % |
| 3 lysdioder lyser. | Ladetilstand: 50 % til 75 % |
| 2 lysdioder lyser. | Ladetilstand: 25 % til 50 % |
| 1 lysdiode lyser. | Ladetilstand: 10 % til 25 % |
| 1 Lysdiode blinker. | Ladetilstand: < 10 % |



Hvis afbryderen er trykket ind, er det ikke muligt at få vist ladetilstanden.

3.4 Leveringsomfang

Bore-/skruemaskine, brugsanvisning.

- Andre systemprodukter, som er godkendt til dit produkt, finder du i dit **Hilti** Center eller online på adressen: www.hilti.group.



2073071

4 Tekniske data

4.1 Tekniske data

| | SFC 14-A | SFC 22-A |
|--|---------------------|---------------------|
| Nominal spænding | 14,4 V | 21,6 V |
| Vægt i henhold til EPTA-procedure 01 | 1,5 kg | 2,4 kg |
| Hastighed 1. gear | 0/min ... 500/min | 0/min ... 600/min |
| Hastighed 2. gear | 0/min ... 1.700/min | 0/min ... 1.800/min |
| Drejningsmoment (maks.) | 24 Nm | 28 Nm |
| Indstilling af drejningsmoment (15 trin) | 1,5 Nm ... 10 Nm | 1,5 Nm ... 10 Nm |

4.2 Batteri

| | |
|--|------------------|
| Batteridriftsspænding | 14,4 V |
| Omgivende temperatur under drift | -17 °C ... 60 °C |
| Opbevaringstemperatur | -20 °C ... 40 °C |
| Batteriets temperatur ved start af ladning | -10 °C ... 45 °C |

4.3 Batteri

| | |
|--|------------------|
| Batteridriftsspænding | 21,6 V |
| Omgivende temperatur under drift | -17 °C ... 60 °C |
| Opbevaringstemperatur | -20 °C ... 40 °C |
| Batteriets temperatur ved start af ladning | -10 °C ... 45 °C |

4.4 Støjinformation og vibrationsværdier iht. EN 60745

Lydtryk- og vibrationsværdier i denne brugsanvisning er målt i henhold til en standardiseret målemetode og kan anvendes til sammenligning af forskellige elværktøjer. De kan også anvendes til en foreløbig vurdering af den eksponering, brugeren udsættes for. De anførte data repræsenterer elværktøjets primære anvendelsesformål. Hvis elværktøjet imidlertid anvendes til andre formål, med andre indsatsværktøjer eller utilstrækkelig vedligeholdelse, kan dataene afvige. Dette kan forøge den eksponering, som brugeren udsættes for, i hele arbejdstiden markant. For at opnå en præcis vurdering af den eksponering, som brugeren udsættes for, bør også den tid, hvor maskinen er slukket eller blot kører uden at blive anvendt, inddrages. Dette kan reducere den eksponering, som brugeren udsættes for, i hele arbejdstiden markant. Fastlæg yderligere sikkerhedsforanstaltninger til beskyttelse af brugeren mod støj- og/eller vibrationspåvirkninger, f.eks. er det vigtigt at vedligeholde elværktøj og indsatsværktøj, at holde hænderne varme og at organisere arbejdsprocesserne.

Støjemissionsværdier

| | SFC 14-A | SFC 22-A |
|--|----------|----------|
| Lydtrykniveau (L_{pA}) | 69 dB(A) | 69 dB(A) |
| Usikkerhed, lydtrykniveau (K_{pA}) | 3 dB(A) | 3 dB(A) |
| Lydeffektniveau | 80 dB(A) | 80 dB(A) |
| Usikkerhed, lydeffektniveau (K_{WA}) | 3 dB(A) | 3 dB(A) |

Samlede vibrationsværdier

| | SFC 14-A | SFC 22-A |
|---|-----------------------|-----------------------|
| Vibrationsemmissionsværdi, skrining (a_n) | < 2 m/s ² | < 2 m/s ² |
| Usikkerhed skrining (K) | 1,5 m/s ² | 1,5 m/s ² |
| Boring i metal ($a_{n,D}$) | 2,67 m/s ² | 2,67 m/s ² |
| Usikkerhed, boring i metal (K) | 1,5 m/s ² | 1,5 m/s ² |



5 Forberedelse af arbejdet

FORSIGTIG

Fare for personskader på grund af utilsigtet start!

- ▶ Før isætning af batteriet skal du kontrollere, at det tilhørende produkt er slukket.
- ▶ Fjern batteriet fra maskinen, inden du foretager indstillinger eller skifter tilbehørsdele på den.

Følg sikkerheds- og advarselshenvisningerne i denne dokumentation og på produktet.

5.1 Opladning af batteri

1. Læs brugsanvisningen til laderen før opladning.
2. Vær opmærksom på, at kontakterne på batteriet og laderen er rene og tørre.
3. Oplad batteriet i en godkendt lader.

5.2 Isætning af batteri

FORSIGTIG

Fare for personskader på grund af kortslutning eller batteri, der falder på gulvet!

- ▶ Før isætning af batteriet skal du kontrollere, at batteriets kontakter og kontakterne på produktet er fri for fremmedlegemer.
- ▶ Kontrollér, at batteriet altid går korrekt i indgreb.

1. Lad batteriet helt op før første ibrugtagning.
2. Sæt batteriet i maskinholderen, indtil det går hørbart i indgreb.
3. Kontrollér, at batteriet er sat korrekt i.

5.3 Fjernelse af batteri

1. Tryk på batteriets frigøringsknapper.
2. Træk batteriet ud af maskinen.

5.4 Montering af bæltekrog (ekstratilbehør)

ADVARSEL

Fare for personskader. En maskine, som falder på gulvet, kan være til fare for dig selv og andre.

- ▶ Kontrollér før arbejdets begyndelse, at bæltekrogen er sikkert fastgjort.



Med bæltekrogen kan du fastgøre maskinen i bæltet tæt på kroppen. Bæltekrogen kan monteres i både højre og venstre side.

- ▶ Monter bæltekrogen.

5.5 Isætning af indsatsværktøj

1. Sæt omskifteren til valg af højre-/venstreløb i midterposition, eller tag batteriet ud af maskinen.
2. Kontrollér, at indsatsværktøjets indstiksende er ren. Rengør om nødvendigt indstiksenden.
3. Åbn den selvspændende borepatron.
4. Før indsatsværktøjet ind i den selvspændende borepatron, og spænd den selvspændende borepatron, indtil du hører flere klik.
5. Kontrollér, at indsatsværktøjet sidder godt fast.

6 Betjening


Følg sikkerheds- og advarselshenvisningerne i denne dokumentation og på produktet.

6.1 Valg af gear

- ▶ Vælg gear.




6.2 Indstilling af højre-/venstreløb

 En spærre forhindrer skift af omdrejningsretning, når maskinen er i gang.
Når omskifteren til valg af højre-/venstreløb står i midterpositionen, er afbryderen blokeret (startspærre).

- ▶ Indstil omskifteren til valg af højre-/venstreløb til den ønskede omdrejningsretning.

6.3 Tænding


- ▶ Tryk på afbryderen.

 Alt efter hvor langt afbryderen er trykket ind, kan omdrejningstallet reguleres trinløst op til det maksimale omdrejningstal.

6.4 Skruning

1. Indstil det nødvendige moment på indstillingsringen for moment og funktion.
2. Indstil den ønskede omdrejningsretning på omskifteren til valg af højre-/venstreløb.

6.5 Boring

1. Indstil indstillingsringen for moment og funktion på symbolet .
2. Indstil omskifteren til valg af højre-/venstreløb til højreløb.

6.6 Frakobling

- ▶ Slip afbryderen.

6.7 Udtagning af indsatsværktøj

1. Sæt omskifteren til valg af højre-/venstreløb i midterposition, eller tag batteriet ud af maskinen.
2. Åbn den selvspændende borepatron.
3. Træk indsatsværktøjet ud af den selvspændende borepatron.

7 Rengøring og vedligeholdelse



ADVARSEL

Fare for personskader ved isat batteri !

- ▶ Fjern altid batteriet før alle pleje- og vedligeholdelsesarbejder!

Pleje af produktet

- Fjern forsigtigt fastsiddende snavs.
- Rengør forsigtigt ventilationsåbningerne med en tør børste.
- Rengør kun kabinettet med en let fugtet klud. Undlad at anvende silikoneholdige plejemidler, da de kan angribe plastdelene.

Pleje af lithium-ion-batterier

- Sørg for at holde batteriet tørt og fri for olie og fedt.
- Rengør kun kabinettet med en let fugtet klud. Undlad at anvende silikoneholdige plejemidler, da de kan angribe plastdelene.
- Undgå indtrængen af fugt.

Vedligeholdelse

- Kontrollér regelmæssigt alle synlige dele for skader, og at betjeningselementerne fungerer fejlfrit.
- Anvend ikke produktet i tilfælde af beskadigelse og/eller funktionsfejl. Få omgående udført reparation hos **Hilti Service**.
- Monter alle beskyttelsesanordninger efter pleje- og vedligeholdelsesarbejder, og kontrollér dem for funktion.





Anvend kun originale reservedele og forbrugsmaterialer af hensyn til en sikker drift. Reservedele, forbrugsmaterialer og tilbehør til dit produkt, som vi har godkendt, finder du i dit **Hilti Store Center** eller under: **www.hilti.group**.

8 Transport og opbevaring af batteridrevne maskiner

Transport

FORSIGTIG

Utsigtet start ved transport !

- ▶ Transportér altid dine produkter uden isat batteri!
- ▶ Tag batteriet ud.
- ▶ Transportér aldrig batterier liggende løst og ubeskyttet.
- ▶ Kontrollér maskine og batterier for skader før ibrugtagning efter længere transport.

Opbevaring

FORSIGTIG

Utsigtet beskadigelse på grund af defekte eller utætte batterier !

- ▶ Opbevar altid dine produkter uden isat batteri!
- ▶ Opbevar maskine og batterier så køligt og tørt som muligt.
- ▶ Opbevar aldrig batterier i direkte sollys, på radiatorer eller i et vindue.
- ▶ Opbevar maskine og batterier utilgængeligt for børn og uvedkommende personer.
- ▶ Kontrollér maskine og batterier for skader før ibrugtagning efter længere tids opbevaring.

9 Fejlafhjælpning

9.1 Fejlafhjælpning

Ved fejl, som ikke fremgår af denne tabel, eller som du ikke selv kan afhjælp, beder vi dig om at kontakte **Hilti Service**.

| Fejl | Mulig årsag | Løsning |
|---|--|---|
| Maskinen virker ikke. | Batteriet er ikke korrekt isat. | ▶ Bring batteriet i indgreb med et tydeligt dobbeltklik. |
| | Batteriet er afladet. | ▶ Udskift batteriet, og oplad det tomme batteri. |
| | Elektrisk fejl. | ▶ Tag batteriet ud af maskinen, og kontakt Hilti Service . |
| Maskinen fungerer ikke, og én lysdiode blinker. | Batteriet er afladet. | ▶ Udskift batteriet, og oplad det tomme batteri. |
| | Batteriet er for varmt eller for koldt. | ▶ Sørg for, at batteriet får den anbefalede arbejdstemperatur. |
| Tænd/sluk-knappen kan ikke trykkes ned eller er blokeret. | Omskifteren til valg af højre-/venstreløb er i midterposition. | ▶ Tryk omskifteren til valg af højre-/venstreløb til højre eller venstre. |
| Lysdiode 1 blinker | Batteriet er afladet. | ▶ Udskift batteriet, og oplad det tomme batteri. |
| | Maskinen er blevet overbelastet (anvendelsesgrænse overskredet). | ▶ Kontrollér effektoplysningerne for dit produkt før alle opgaver. Se Tekniske data. |
| Batteriet aflades hurtigere end normalt. | Meget lav omgivende temperatur. | ▶ Lad batteriet varme langsomt op til rumtemperatur. |
| Batteriet går ikke i indgreb med et tydeligt dobbeltklik. | Låsetapperne på batteriet er beskadigede. | ▶ Rengør holdetapperne, bring batteriet i indgreb. Hvis problemet fortsætter, skal du kontakte Hilti Service . |



10 Bortskaffelse

♻ Størstedelen af de materialer, som anvendes ved fremstillingen af **Hilti**-produkter, kan genvindes. Materialerne skal sorteres, før de kan genvindes. I mange lande modtager **Hilti** dine udtjente instrumenter med henblik på genvinding. Spørg **Hilti** kundeservice eller din forhandler.

Bortskaffelse af batterier

Som følge af ukorrekt bortskaffelse af batterier kan der opstå sundhedsfare på grund af lækkende gasser eller væsker.

- ▶ Beskadigede batterier må under ingen omstændigheder sendes!
- ▶ Tildæk kontakterne med et ikke-ledende materiale, så kortslutninger undgås.
- ▶ Bortskaf batterier på en sådan måde, at børn ikke kan få fat på dem.
- ▶ Bortskaf batteriet hos din **Hilti Store**, eller henvend dig til det ansvarlige renovationsfirma.



- ▶ Elværktøj, elektriske maskiner og batterier må ikke bortskaffes sammen med almindeligt husholdningsaffald!

11 Kina RoHS (direktiv til begrænsning af anvendelsen af farlige stoffer)

Under følgende links finder du tabellen med farlige stoffer: qr.hilti.com/r4793 (SFC 14-A) og qr.hilti.com/r4833 (SFC 22-A).

Et link til RoHS-tabellen finder du i slutningen af denne dokumentation som QR-kode.

12 Producentgaranti

- ▶ Hvis du har spørgsmål vedrørende garantibetingelserne, bedes du henvende dig til din lokale **Hilti**-partner.

Originalbruksanvisning

1 Uppgifter för dokumentation

1.1 Om denna dokumentation

- Läs denna dokumentation innan du börjar ta enheten i drift. Det är en förutsättning för säkert arbete och problemfri hantering.
- Observera de säkerhets- och varningsanvisningar som du hittar i dokumentationen och på själva enheten.
- Förvara alltid bruksanvisningen tillsammans med produkten och överlämna aldrig produkten till någon annan utan att bifoga den.

1.2 Teckenförklaring

1.2.1 Varningar

Varningarna är till för att varna för risker i samband med användning av produkten. Följande riskindikeringar används:

**FARA****FARA !**

- ▶ Anger överhängande risker som kan leda till svåra personskador eller dödsolycka.

**VARNING****VARNING !**

- ▶ Anger potentiella risker som kan leda till svåra personskador eller dödsfall.



FÖRSIKTIGHET

FÖRSIKTIGHET !

- Används för att fästa uppmärksamhet på en potentiell risksituation som kan leda till skador på person eller utrustning.

1.2.2 Symboler i dokumentationen

I den här dokumentationen används följande symboler:

| | |
|--|---|
| | Läs bruksanvisningen före användning |
| | Anmärkningar och annan praktisk information |
| | Hantering av återvinningsbara material |
| | Elverktyg och batterier får inte kastas i hushållssoporna |

1.2.3 Symboler i bilderna

Följande symboler används i bilder:

| | |
|--|---|
| | Dessa siffror hänvisar till motsvarande bild i början av bruksanvisningen |
| | Numreringen återger ordningsföljden hos arbetsmomenten på bilden och kan skilja sig från arbetsmomenten i texten |
| | På bilden Översikt används positionsnummer som hänvisar till siffrorna i teckenförklaringen i avsnittet Produktöversikt |
| | Det här tecknet är till för att du ska vara extra uppmärksam på något som gäller hur du hanterar produkten. |

1.3 Produktberoende symboler

1.3.1 Symboler på produkten

Följande övriga symboler används på produkten:

| | |
|--------|---|
| | Borring utan slag |
| /min | Varv per minut |
| n_0 | Nominellt varvtal, obelastat |
| | Likström |
| Li-Ion | Litiumjonbatteri |
| | Hilti -litiumjonbatteriserie som används. Observera uppgifterna i kapitlet Avsedd användning . |
| | Produkten stöder trådlös dataöverföring som är kompatibel med iOS- och Android-plattformar. |
| | Använd aldrig batteriet som slagverktyg. |
| | Låt inte batteriet falla ner på marken. Använd inte batterier som har utsatts för slag eller på annat sätt har skadats. |

1.4 Produktinformation

HILTI-produkter är avsedda för professionella användare och får endast användas, underhållas och repareras av auktoriserad, utbildad personal. Personalen måste vara särskilt informerad om de risker som finns. Produkten och dess tillbehör kan utgöra en risk om den används på ett felaktigt sätt av utbildad personal eller inte används enligt föreskrifterna.



2073071

Svenska

31

Typbeteckning och serienummer anges på typskylten.

- ▶ Använd de serienummer som anges i följande tabell. Du behöver produktuppgifterna när du kontaktar vår återförsäljare eller serviceverkstad.
Produktdetaljer → Sidan 32

Produktdetaljer

| | |
|-------------------------------|----------------------|
| Batteridriven borrarvdragare: | SFC 22-A SFC 14-A |
| Generation: | 01 |
| Serienr: | |

1.5 Försäkran om överensstämmelse

Vi försäkras på eget ansvar att den produkt som beskrivs här överensstämmer med gällande direktiv och standarder. En bild på försäkran om överensstämmelse hittar du i slutet av dokumentationen.

Den tekniska dokumentationen finns sparad här:

Hilti Entwicklungsgesellschaft mbH | Zulassung Geräte | Hiltistraße 6 | 86916 Kaufering, Tyskland

2 Säkerhet

2.1 Allmänna säkerhetsföreskrifter för elverktyg

⚠ VARNING! Läs alla säkerhetsföreskrifter och anvisningar. Om säkerhetsföreskrifterna och anvisningarna inte följs finns risk för elektriska stötar, brand och/eller svåra skador.

Förvara alla säkerhetsföreskrifter och anvisningarna på ett säkert ställe för framtida användning.

Säker arbetsmiljö

- ▶ **Håll arbetsområdet rent och väl belyst.** Oordning eller bristfällig belysning på arbetsplatsen kan leda till olyckor.
- ▶ **Arbeta inte med elverktyget i omgivningarna med explosionsrisk där det finns brännbara vätskor, gaser eller damm.** Elverktyg alstrar gnistor som kan antända dammet eller gaserna.
- ▶ **Håll barn och obehöriga personer på betryggande avstånd under arbetet med elverktyget.** Om du störs av obehöriga personer kan du förlora kontrollen över verktyget.

Elektrisk säkerhet

- ▶ **Undvik kroppskontakt med jordade ytor som rör, värmeelement, spisar och kylskåp.** Det finns en större risk för elstötar om din kropp är jordad.
- ▶ **Skydda elverktyget från regn och väta.** Tränger vatten in i ett elverktyg ökar risken för elstötar.

Personsäkerhet

- ▶ **Var uppmärksam, se upp med vad du gör och använd elverktyg med förnuft.** Använd aldrig elverktyg om du är trött eller påverkad av droger, alkohol eller medicin. En kort sekund av bristande uppmärksamhet när du arbetar med ett elverktyg kan leda till att du skadar dig själv eller någon annan svårt.
- ▶ **Bär alltid personlig skyddsutrustning och skyddsglasögon.** Genom att använda personlig skyddsutrustning som t.ex. dammskyddsmask, halkfria säkerhetsskor, hjälm eller hörselskydd, beroende på vilket elverktyg du använder och till vad, minskar du risken för kroppsskada.
- ▶ **Undvik oavsiktlig igångsättning. Kontrollera att elverktyget är avstängt innan du ansluter det till batteriet, tar upp det eller bär det.** Om du bär elverktyget med fingret på strömbrytaren eller ansluter ett tillkopplat verktyg till nätströmmen kan en olycka inträffa.
- ▶ **Ta bort alla inställningsverktyg och skruvnycklar innan du kopplar in elverktyget.** Ett verktyg eller en nyckel i en roterande komponent kan leda till skador.
- ▶ **Undvik en onormal kroppshållning. Se till att du står stadigt och håller balansen.** Då kan du lättare kontrollera elverktyget i oväntade situationer.
- ▶ **Bär lämpliga kläder. Bär inte löst hängande kläder eller smycken. Håll håret, kläderna och handskarna på avstånd från rörliga delar.** Löst hängande kläder, smycken och långt hår kan dras in av roterande delar.
- ▶ **När du använder elverktyg med anordningar för uppsugning och uppsamling av damm, bör du kontrollera att dessa anordningar är rätt monterade och används korrekt.** Används en dammsugare kan faror som orsakas av damm minskas.



Användning och hantering av elprodukter

- ▶ **Överbelasta inte verktyget.** Använd elverktyg som är avsedda för det aktuella arbetet. Med ett lämpligt elverktyg kan du arbeta bättre och säkrare inom angivet effektområde.
- ▶ **Använd aldrig elverktyget om strömbrytaren är defekt.** Ett elverktyg som inte kan kopplas in eller ur är farligt och måste repareras.
- ▶ **Ta ut batteriet innan du gör inställningar, byter tillbehör eller lägger ifrån dig verktyget.** Denna skyddsåtgärd förhindrar att du eller någon annan råkar sätta igång elverktyget av misstag.
- ▶ **Förvara elprodukter oåtkomligt för barn.** Produkten får inte användas av personer som inte är vana eller inte har läst dessa anvisningar. Elprodukter är farliga om de används av oerfarna personer.
- ▶ **Underhåll elverktygen noggrant.** Kontrollera att rörliga komponenter fungerar felfritt och inte kärvar och att komponenter inte har brustit eller skadats så att elverktygets funktion påverkas negativt. Se till att skadade delar repareras innan verktyget används igen. Många olyckor orsakas av dåligt skötta elverktyg.
- ▶ **Håll insatsverktygen skarpa och rena.** Omsorgsfullt skötta insatsverktyg med skarpa eggar kommer inte så lätt i kläm och går lättare att styra.
- ▶ **Använd produkten, tillbehör, insatsverktyg osv. enligt dessa anvisningar.** Ta hänsyn till arbetsvillkoren och arbetsmomenten. Används produkten på icke ändamålsenligt sätt kan farliga situationer uppstå.

Användning och hantering av batteriverktyg

- ▶ **Ladda endast batterierna i de laddare som tillverkaren har rekommenderat.** Brandrisk kan uppstå om en laddare som är avsedd för en viss typ av batterier används för andra batterityper.
- ▶ **Använd endast batterier som är avsedda för aktuellt elverktyg.** Används andra batterier finns det risk för kroppsskada och brand.
- ▶ **Håll gem, mynt, nycklar, spikar, skruvar och andra små metallföremål på avstånd från reservbatterier för att undvika kortslutning av kontakterna.** En kortslutning av batteriets kontakter kan leda till brännskador eller brand.
- ▶ **Om batteriet används på fel sätt kan vätska rinna ur batteriet. Undvik kontakt med vätskan.** Batterivätskan kan orsaka hudirritation eller brännskada. Vid oavsiktlig kontakt, skölj med vatten. Kontakta läkare om vätskan kommer i kontakt med ögonen.

Service

- ▶ **Låt endast kvalificerad fackpersonal reparera produkten och använd då endast originalreservdelar.** Detta garanterar att produktens säkerhet upprätthålls.

2.2 Säkerhetsföreskrifter för bormaskiner

- ▶ **Använd de extrahandtag som levereras tillsammans med verktyget.** Tappar du kontrollen över verktyget kan det leda till skador.
- ▶ **Håll verktyget i de isolerade greppytorna medan du arbetar, eftersom det kan finnas risk att insatsverktyget stöter på en dold elledning.** Vid kontakt med en spänningssatt ledning kan metalldelar på verktyget spänningssättas och ge dig en stöt.

2.3 Ytterligare säkerhetsföreskrifter för skrudragaren

Personsäkerhet

- ▶ Använd verktyget bara om det är fullt funktionsdugligt.
- ▶ Manipulera eller ändra aldrig något på verktyget.
- ▶ Använd de extrahandtag som levereras tillsammans med verktyget. Tappar du kontrollen över verktyget kan det leda till skador.
- ▶ Håll alltid verktyget i handtagen med båda händerna. Håll alltid handtaget torrt och rent.
- ▶ Rör inte vid roterande delar – risk för personskada!
- ▶ Använd lämpliga skyddsglasögon, skyddshjälm, hörselskydd, skyddshandskar och ett lätt andningsskydd när du arbetar med verktyget.
- ▶ Använd skyddshandskar även vid byte av insatsverktyg. Det finns risk för skär- och brännskador vid beröring av nyss använda insatsverktyg.
- ▶ Använd skyddsglasögon. Splitter kan skada oskyddade kroppsdelar och ögon.
- ▶ Ta bort de dammpartiklar som har uppstått innan arbetet i riskklassen startas. Använd en byggdamm-sugare med en standardskyddsklassificering som motsvarar de lokala dammskyddsbestämmelserna. Damm från material med blyhaltig färg, vissa träslag, betong, tegel, sten som innehåller kvarts, mineraler och metall kan vara hälsovådliga.



- ▶ Se till att arbetsplatsen har god ventilation, och använd vid behov en andningsmask som är avsedd för damm av det aktuella slaget. Beröring eller inandning av damm kan orsaka allergiska reaktioner och/eller sjukdomar i andningsvägarna hos användaren eller hos personer som befinner sig i närheten. Vissa slags damm, till exempel från ek eller bok, anses vara cancerframkallande, särskilt i kombination med tillsatssämnen för behandling av trä (kromat, träskyddsmedel). Asbesthaltigt material får bara hanteras av särskilt utbildad personal.
- ▶ Gör pauser i arbetet och utför fingerövningar som ökar blodgenomströmningen i fingrarna. Vid långvarigt, innehållande arbete kan vibrationerna ge besvär i blodkärl och nerver i fingrarna, händerna och handlederna.

Elektrisk säkerhet

- ▶ Undersök om det finns dolda el-, gas- och vattenledningar inom arbetsområdet innan du påbörjar arbetet. Utanpåliggande metalldelar på verktyget kan orsaka elstötar om du oavsiktligt råkar skada en elledning.

Omsorgsfull hantering och användning av elverktyg

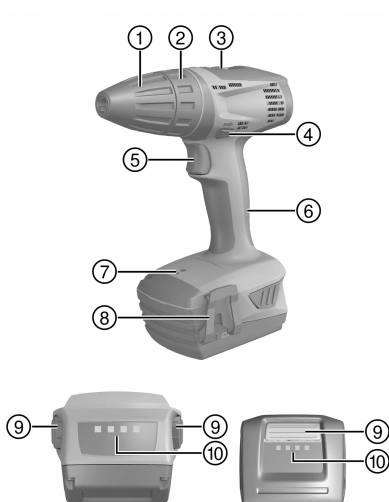
- ▶ Stäng genast av elverktyget om insticksverktyget blockeras. Elverktyget kan vridas i sidled.
- ▶ Vänta tills elverktyget stannat helt innan du lägger det ifrån dig.

2.4 Omsorgsfull hantering och användning av batterier

- ▶ Observera de särskilda föreskrifterna för transport, förvaring användning av litiumjonbatterier.
- ▶ Utsätt inte batterierna för höga temperaturer, direkt solljus eller eld.
- ▶ Batterier får inte tas isär, klämmas, hettas upp över 80° eller brännas.
- ▶ Använd eller ladda inte batterier som tagit emot slag, har fallit från över en meters höjd eller är skadade på något annat sätt. I sådana fall, kontakta **Hilti Service**.
- ▶ Om batteriet är så hett att du inte kan ta i det kan det vara defekt. Ställ produkten på en plats där inget riskerar att fatta eld och på betryggande avstånd från brännbart material, där du kan hålla den under uppsikt medan batteriet svalnar. I sådana fall, kontakta **Hilti Service**.

3 Beskrivning

3.1 Översikt



- 1 Snabbchuck
- 2 Inställningsring för vridmoment och borring
- 3 Växelomkopplare
- 4 Omkopplare för höger- och vänstervarv med påkopplingspärr
- 5 Strömbrytare (med elektronisk varvtalsreglering)
- 6 Handtag
- 7 Lampa
- 8 Bälteshake (tillval)
- 9 Utlösningsknapp med extrafunktion för visning av laddningsstatus
- 10 Laddningsstatus- och felindikering (litiumjonbatteri)

3.2 Avsedd användning

Den produkt som beskrivs här är en handhållen batteridriven borrhandskruvdragare. Den är avsedd att användas för att skruva i och lossa skruvar och för borring i stål, trä och plast.

- ▶ Använd endast **Hiltis** litiumjonbatterier av typ B14 och B22 med produkten.
- ▶ Använd endast **Hilti** batteriladdare i C4/36-serien för dessa batterier.



3.3 Laddningsindikering

Litiumjonbatteriernas laddningsstatus visas när du trycker på spärren.

| Status | Betydelse |
|--------------------|----------------------------------|
| 4 lysdioder lyser. | Laddningsstatus: 75 % till 100 % |
| 3 lysdioder lyser. | Laddningsstatus: 50 % till 75 % |
| 2 lysdioder lyser. | Laddningsstatus: 25 % till 50 % |
| 1 lysdiod lyser. | Laddningsstatus: 10 % till 25 % |
| 1 lysdiod blinkar. | Laddningsstatus: < 10 % |



Det går inte att kontrollera laddningsstatus om strömbrytaren är intryckt.

3.4 Leveransinnehåll

Borrskruvdragare, bruksanvisning.

- Dessutom finns fler systemprodukter för din produkt i ditt **Hilti-center** eller online på adressen: www.hilti.group.

4 Teknisk information

4.1 Teknisk information

| | SFC 14-A | SFC 22-A |
|--|----------------------------------|----------------------------------|
| Märkspänning | 14,4 V | 21,6 V |
| Vikt enligt EPTA Procedure 01 | 1,5 kg | 2,4 kg |
| Varvtal 1:a växeln | 0 varv/min ... 500 varv/min | 0 varv/min ... 600 varv/min |
| Varvtal 2:a växeln | 0 varv/min ... 1 700 varv/min | 0 varv/min ... 1 800 varv/min |
| Vridmoment (max.) | 24 Nm | 28 Nm |
| Inställning av vridmoment (15 steg) | 1,5 Nm ... 10 Nm | 1,5 Nm ... 10 Nm |

4.2 Batteri

| | |
|--|------------------|
| Batteriets driftspänning | 14,4 V |
| Omgivningstemperatur vid drift | -17 °C ... 60 °C |
| Förvaringstemperatur | -20 °C ... 40 °C |
| Batteritemperatur när laddningen påbörjas | -10 °C ... 45 °C |

4.3 Batteri

| | |
|--|------------------|
| Batteriets driftspänning | 21,6 V |
| Omgivningstemperatur vid drift | -17 °C ... 60 °C |
| Förvaringstemperatur | -20 °C ... 40 °C |
| Batteritemperatur när laddningen påbörjas | -10 °C ... 45 °C |

4.4 Bullerinformation och vibrationsvärden enligt EN 60745

De ljudtrycks- och vibrationsvärden som anges i anvisningarna har uppmätts med en standardiserad mätmetod och kan användas för att jämföra olika elverktyg med varandra. De kan också användas för att göra en preliminär uppskattning av exponeringarna. De angivna värdena representerar borrdammarens huvudsakliga användning. När elverktyget begagnas inom andra områden, med andra insatsverktyg eller med otillräckligt underhåll, kan mätning ge avvikande värden. Det innebär att exponeringen under den totala arbetstiden kan ökas betydligt. För att uppskattningen av exponeringarna ska bli exakt bör man också räkna in de tider då verktyget är fränkopplat, eller då det är tillkopplat men inte används. Detta kan



minska exponeringen betydligt under den totala arbetstiden. Vidta även andra säkerhetsåtgärder för att skydda användaren mot effekterna av buller och/eller vibrationer, exempelvis: Underhåll av elverktyg och insatsverktyg, möjlighet att hålla händerna varma, organisation av arbetsflöppen.

Bullervärden

| | SFC 14-A | SFC 22-A |
|---------------------------------------|----------|----------|
| Ljudtrycksnivå (L_{pA}) | 69 dB(A) | 69 dB(A) |
| Osäkerhet ljudtrycksnivå (K_{pA}) | 3 dB(A) | 3 dB(A) |
| Ljudeffektnivå | 80 dB(A) | 80 dB(A) |
| Osäkerhet ljudeffektnivå (K_{WA}) | 3 dB(A) | 3 dB(A) |

Sammanlagt vibrationsvärde

| | SFC 14-A | SFC 22-A |
|--|-----------------------|-----------------------|
| Vibrationsemissionsvärde vid skruvdragning (a_n) | < 2 m/s ² | < 2 m/s ² |
| Osäkerhet skruvdragning (K) | 1,5 m/s ² | 1,5 m/s ² |
| Borrning i metall ($a_{n,D}$) | 2,67 m/s ² | 2,67 m/s ² |
| Osäkerhet vid borrning i metall (K) | 1,5 m/s ² | 1,5 m/s ² |

5 Förberedelser för arbete

FÖRSIKTIGHET

Risk för personskada till följd av oavsiktlig start!

- ▶ Kontrollera att produkten är avstängd innan du sätter i batteriet.
- ▶ Ta alltid bort batteriet innan du gör några inställningar på verktyget eller byter tillbehörsdelar.

Observera de säkerhets- och varningsanvisningar som du hittar i dokumentationen och på själva enheten.

5.1 Laddning av batteri

1. Läs batteriladdarens bruksanvisning innan du laddar batteriet.
2. Se till att batteriets och batteriladdarens sladdar är rena och torra.
3. Ladda batteriet i en godkänd batteriladdare.

5.2 Sätta i batteriet

FÖRSIKTIGHET

Risk för personskada på grund av kortslutning eller nedfallande batteri!

- ▶ Kontrollera innan du sätter in batteriet i produkten att både batteriets och produktens kontakter är fria från smuts och andra hinder.
- ▶ Säkerställ att batteriet alltid hakar i ordentligt.

1. Ladda batteriet helt innan det används första gången.
2. Sätt i batteriet i verktygshållaren så att du hör att det klickar fast.
3. Kontrollera att batteriet sitter stadigt.

5.3 Ta ur batteri

1. Tryck in batteriets spärrar.
2. Ta ut batteriet ur verktyget.

5.4 Sätt fast bälteshake (tillval)

VARNING

Risk för personskada. Om verktyget faller ner kan den skada dig och andra.

- ▶ Innan du startar ett arbete ska du kontrollera att bälteshaken är korrekt fastsatt.





Med bälteshaken kan du fästa verktyget i bältet så att det ligger mot kroppen. Du väljer själv om du vill sätta fast bälteshaken på höger eller vänster sida.

- ▶ Sätt fast bälteshaken.

5.5 Insättning av insatsverktyg

1. Ställ omkopplaren för höger- och vänstervarv i mittenläge eller ta ut batteriet ur verktyget.
2. Kontrollera att insticksänden på insatsverktyget är ren. Rengör insticksänden vid behov.
3. Öppna snabbchucken.
4. För in insatsverktyget i snabbchucken och vrid fast snabbchucken tills du hör upprepade mekaniska klick.
5. Kontrollera att insatsverktyget sitter fast ordentligt.

6 Användning

Observera de säkerhets- och varningsanvisningar som du hittar i dokumentationen och på själva enheten.

6.1 Välja växel

- ▶ Välj växel.

6.2 Ställa in rotationsriktning



En spärr förhindrar att omkoppling sker medan motorn går. Strömbrytaren spärrad i mittläget (tillkopplingspärr).

- ▶ Ställ in omkopplaren för höger- och vänstervarv på önskad rotationsriktning.

6.3 Tillkoppling

- ▶ Tryck in strömbrytaren.



Varvtalet går att reglera steglöst upp till maximalt värde beroende på hur långt du trycker in manöverströmbrytaren.

6.4 Skruvdragning

1. Ställ in det vridmoment som behövs med inställningsringen för vridmoment och funktion.
2. Ställ in omkopplaren för höger- och vänstervarv på önskad rotationsriktning.

6.5 Borring

1. Sätt inställningsringen för vridmoment och funktion på symbolen .
2. Ställ omkopplaren för höger-/vänstervarv på högervarv.

6.6 Frånkoppling

- ▶ Släpp strömbrytaren.

6.7 Uttagning av insatsverktyg

1. Ställ omkopplaren för höger- och vänstervarv i mittenläge eller ta ut batteriet ur verktyget.
2. Öppna snabbchucken.
3. Dra ut insatsverktyget ur snabbchucken.



7 Skötsel och underhåll

VARNING

Risk för personskada vid anslutet batteri !

- ▶ Ta alltid bort batteriet innan skötsel och underhåll utförs!

Verktygets skötsel

- Ta försiktigt bort smuts som fastnat på verktyget.
- Rengör ventilationsspringorna försiktigt med en torr borste.
- Rengör höljet med en lätt fuktad trasa. Använd inte rengöringsmedel med silikon, eftersom det kan skada plastdelarna.

Skötsel av litiumjonbatterier

- Håll batteriet rent och fritt från olja och fett.
- Rengör höljet med en lätt fuktad trasa. Använd inte rengöringsmedel med silikon, eftersom det kan skada plastdelarna.
- Se till att ingen fukt tränger in.

Underhåll

- Kontrollera regelbundet att inga synliga delar har skadats och att alla reglage fungerar som de ska.
- Använd inte produkten om den uppvisar skador eller funktionsstörningar. Skicka den direkt till **Hilti Service** för reparation.
- Efter att skötsel- och underhållsarbete utförts ska alla skyddsanordningar alltid monteras och kontrolleras.

Använd endast originalreservdelar och förbrukningsmaterial för säker drift. Godkända reservdelar, förbrukningsmaterial och tillbehör till din produkt från oss hittar du i närmaste **Hilti Store** eller på: www.hilti.group.

8 Transport och förvaring av batteridrivna verktyg

Transport

FÖRSIKTIGHET

Oavsiktlig start under transport. !

- ▶ Transportera alltid produkten utan insatta batterier.
- ▶ Ta bort batterierna.
- ▶ Transportera aldrig batterierna löst liggande.
- ▶ Kontrollera att verktyget och batterierna är oskadda innan de används efter längre transporter.

Förvaring

FÖRSIKTIGHET

Oavsiktlig skada på grund av trasiga eller läckande batterier. !

- ▶ Förvara alltid produkten utan insatta batterier.
- ▶ Förvara verktyget och batterierna så svalt och torrt som möjligt.
- ▶ Förvara aldrig batterierna i direkt solsken, på värmeelement eller bakom glasrutor.
- ▶ Förvara verktyget och batterierna oåtkomliga för barn och obehöriga personer.
- ▶ Kontrollera att verktyget och batterierna är oskadda innan de används efter en längre tids förvaring.

9 Hjälp vid störningar

9.1 Felsökning

Kontakta **Hilti-service** om det uppstår ett fel som inte finns med i den här tabellen eller som du inte lyckas åtgärda på egen hand.

| Fel | Möjlig orsak | Lösning |
|--------------------------|---|---|
| Verktyget fungerar inte. | Batteriet har inte tryckts in hela vägen. | ▶ Tryck in batteriet tills du hör ett "dubbelklick". |
| | Batteriet är urladdat. | ▶ Byt batteri och sätt det tomma batteriet på laddning. |



| Fel | Möjlig orsak | Lösning |
|---|--|--|
| Verktyget fungerar inte. | Elektriskt fel. | ► Ta ut batteriet ur verktyget och kontakta Hiltis service. |
| Verktyget fungerar inte och en lysdiod blinkar. | Batteriet är urladdat. | ► Byt batteri och sätt det tomma batteriet på laddning. |
| | Batteriet för varmt eller för kallt. | ► Låt batteriet få rekommenderad arbetstemperatur. |
| På/av-knappen kan inte tryckas in resp. är spärrad. | Omkopplaren för höger- och vänstervarv står i mittenläge. | ► Tryck omkopplaren för höger- och vänstervarv åt vänster eller höger. |
| Lysdiod 1 blinkar | Batteriet är urladdat. | ► Byt batteri och sätt det tomma batteriet på laddning. |
| | Verktyget är överbelastat (användningsgränsen har överskridits). | ► Kontrollera effektangivelsen för din produkt innan du börjar arbeta med den. Se Tekniska data. |
| Batteriet laddas ur fortare än vanligt. | Mycket låg omgivningstemperatur. | ► Värm långsamt upp batteriet till rumstemperatur. |
| Batteriet hakar inte i med ett hörbart dubbelklick. | Batteriets låsmekanism är smutsig. | ► Rengör låsmekanismen och tryck i batteriet. Vänd dig till Hilti -service om problemet kvarstår. |

10 Avfallshantering

Hilti-produkter är till stor del tillverkade av återvinningsbara material. En förutsättning för återvinning är att materialen separeras på rätt sätt. I många länder kan du lämna in ditt uttjänta instrument så att **Hilti** tar hand om det. Hör efter med **Hiltis** kundtjänst eller din kontaktperson.

Avfallshantering av batterier

Bristfällig avfallshantering av batterier kan orsaka hälsorisker på grund av läckande gaser eller vätskor.

- Skicka aldrig iväg skadade batterier!
- Täck anslutningarna med ett icke ledande material för att förhindra kortslutningar.
- Kassera batterier så att de inte kan hamna i händerna på barn.
- Kassera batteriet hos din **Hilti Store** eller vänd dig till närmaste återvinningscentral.



- Kasta inte elverktyg, elektronisk apparatur och batterier i hushållssoporna.

11 China RoHS (bestämmelser för begränsning av användning av farliga ämnen)

Använd länkarna nedan för att komma till tabellen över farliga ämnen: qr.hilti.com/r4793 (SFC 14-A) och qr.hilti.com/r4833 (SFC 22-A).

En länk till RoHS-tabellen hittar du i slutet på det här dokumentet i form av en QR-kod.

12 Tillverkargaranti

- Vänd dig till din lokala **Hilti**-representant om du har frågor om garantivillkoren.



Original bruksanvisning

1 Informasjon om dokumentasjonen

1.1 Om denne dokumentasjonen

- Les denne dokumentasjonen før du tar produktet i bruk. Dette er en forutsetning for sikkerhet under arbeidet og problemfri bruk.
- Følg sikkerhetshenvisningene og advarslene i denne dokumentasjonen og på produktet.
- Oppbevar alltid bruksanvisningen på produktet, og lever bruksanvisningen fra deg sammen med produktet hvis det overtas av andre personer.

1.2 Symbolforklaring

1.2.1 Farehenvisninger

Farehenvisninger advarer mot farer under håndtering av produktet. Følgende signalord brukes:



FARE

FARE !

- ▶ For en umiddelbart truende fare som kan føre til alvorlige personskader eller død.



ADVARSEL

ADVARSEL !

- ▶ Varsler en mulig fare som kan føre til alvorlige personskader eller død.



FORSIKTIG

FORSIKTIG !

- ▶ Varsler om en mulig farlig situasjon som kan føre til lettere personskade eller skade på utstyr og annen eiendom.

1.2.2 Symboler i dokumentasjonen

Følgende symboler brukes i denne dokumentasjonen:

| | |
|--|---|
| | Les bruksanvisningen før bruk |
| | Anvisninger om bruk og annen nyttig informasjon |
| | Håndtering av resirkulerbare materialer |
| | Ikke kast elektriske apparater eller batterier i husholdningsavfallet |

1.2.3 Symboler i illustrasjoner

Følgende symboler brukes i illustrasjonene:

| | |
|--|--|
| | Disse tallene henviser til illustrasjonen foran i denne bruksanvisningen |
| | Nummereringen angir rekkefølgen for arbeidstrinnene på bildet og kan avvike fra arbeidstrinnene i teksten |
| | Posisjonsnumrene brukes i illustrasjonen Oversikt og henviser til numrene på teksten i avsnittet Produktoversikt |
| | Dette symbolet betyr at håndtering av produktet krever stor grad av oppmerksomhet. |

1.3 Produktavhengige symboler

1.3.1 Symboler på produktet

Følgende symboler brukes på produktet:



| | |
|--------|---|
| | Boring uten slag |
| /min | Omdreininger per minutt |
| n_0 | Nominelt tomgangsturtall |
| | Likestrøm |
| Li-Ion | Li-ion-batteri |
| | Brukt HilTI Li-Ion-batteriserie. Følg anvisningene i kapitlet Forskriftsmessig bruk . |
| | Produktet støtter trådløs dataoverføring som er kompatibel med iOS- og Android-plattformer. |
| | Bruk aldri batteriet som slagverktøy. |
| | Ikke mist ned batteriet. Ikke bruk et batteri som har vært utsatt for støt eller er skadet på annen måte. |

1.4 Produktinformasjon

HILTI-produkter er laget for profesjonell bruk og må kun brukes, vedlikeholdes og repareres av kyndig personale. Dette personalet må informeres om eventuelle farer som kan oppstå. Produktet og tilleggsutstyret kan utgjøre en fare hvis det betjenes av ukvalifisert personale eller det benyttes feil.

Typebetegnelse og serienummer står på typeskiltet.

- Skriv inn serienummeret i tabellen nedenfor. Du trenger produktspesifikasjonene ved henvendelser til Hiltis representant eller servicesenter.
Produktspesifikasjoner → Side 41

Produktspesifikasjoner

| | |
|--------------------------------|----------------------|
| Batteridrevet bor-/skrumaskin: | SFC 22-A SFC 14-A |
| Generasjon: | 01 |
| Serienummer: | |

1.5 Samsvarserklæring

Vi erklærer herved at produktet som er beskrevet her, er i samsvar med gjeldende normer og direktiver. Du finner et bilde av samsvarserklæringen på slutten av denne dokumentasjonen.

Den tekniske dokumentasjonen er lagret her:

HilTI Entwicklungsgesellschaft mbH | Zulassung Geräte | Hiltistraße 6 | 86916 Kaufering, DE

2 Sikkerhet

2.1 Generelle sikkerhetsregler for elektroverktøy

⚠ ADVARSEL! Les alle sikkerhetsanvisninger og andre anvisninger. Manglende overholdelse av sikkerhetsanvisninger og andre anvisninger kan medføre elektrisk støt, brann og/eller alvorlige skader. Overhold alle sikkerhetsanvisninger og instruksjoner i hele bruksperioden.

Sikkerhet på arbeidsplassen

- **Hold arbeidsområdet rent og godt opplyst.** Rotete eller dårlig belyste arbeidsområder kan føre til ulykker.
- **Bruk ikke elektroverktøyet i eksplosjonsfarlige omgivelser hvor det befinner seg brennbare flytende stoffer, gasser eller støv.** Elektroverktøy lager gnister som kan antenne støv eller damp.
- **Hold barn og andre personer på sikker avstand mens elektroverktøyet brukes.** Hvis du blir forstyrret under arbeidet, kan du miste kontrollen over verktøyet.



2073071

Elektrisk sikkerhet

- ▶ **Unngå kroppskontakt med jordete overflater som rør, radiatorer, komfyrer og kjøleskap.** Risikoen for elektrisk støt er høyere når kroppen er jordet.
- ▶ **Hold elektroverktøyet unna regn og fuktighet.** Risikoen for elektrisk støt øker ved inntrenging av vann i et elektroverktøy.

Personsikkerhet

- ▶ **Vær oppmerksom, pass på hva du gjør, og gå fornuftig fram under arbeidet med et elektroverktøy. Ikke bruk elektroverktøy når du er trøtt eller påvirket av narkotika, alkohol eller medikamenter.** Et øyeblikks uoppmerksomhet ved bruk av elektroverktøyet kan være nok til å forårsake alvorlige personskader.
- ▶ **Bruk alltid personlig verneutstyr og vernebriller.** Bruk av personlig verneutstyr som støvmaske, sklislire vernesko, hjelm eller hørselsvern – avhengig av type og bruk av elektroverktøyet – reduserer risikoen for skader.
- ▶ **Unngå utilsiktet start. Forsikre deg om at elektroverktøyet er slått av før du kobler det til stikkkontakten eller batteriet, løfter eller flytter på det.** Hvis du holder fingeren på bryteren når du bærer elektroverktøyet, eller kobler elektroverktøyet til strøm i innkoblet tilstand, kan dette føre til uhell.
- ▶ **Fjern justeringsverktøy og skrunøkkel før du slår på elektroverktøyet.** Et verktøy eller en nøkkel som befinner seg i en roterende maskindel, kan føre til skader.
- ▶ **Unngå uhensiktsmessige arbeidsposisjoner. Sørg for å stå stødig og i balanse.** Dermed kan du kontrollere elektroverktøyet bedre i uventede situasjoner.
- ▶ **Bruk egnede klær. Ikke bruk vide klær eller smykker. Hold hår, tøy og hansker unna deler som beveger seg.** Løstsittende tøy, smykker eller langt hår kan komme inn i deler som beveger seg.
- ▶ **Hvis det er montert støvavsugs- og oppsamlingsinnretninger, må det kontrolleres at disse er koblet til og blir brukt på riktig måte.** Bruk av støvavsug kan redusere faremomentene i forbindelse med støv.

Bruk og behandling av elektroverktøyet

- ▶ **Ikke overbelast verktøyet. Bruk et elektroverktøy som er beregnet til den type arbeid du vil utføre.** Med et passende elektroverktøy arbeider du bedre og sikrer i det angitte effektområdet.
- ▶ **Ikke bruk elektroverktøy med defekt bryter.** Et elektroverktøy som ikke lenger kan slås av eller på, er farlig og må repareres.
- ▶ **Fjern batteriet før du foretar maskininnstillinger, skifter tilbehørsdeler eller legger vekk maskinen.** Disse tiltakene forhindrer en utilsiktet start av elektroverktøyet.
- ▶ **Oppbevar elektroverktøy som ikke brukes utenfor barns rekkevidde. La ikke personer som ikke er fortrolige med eller ikke har lest instruksjonene, bruke verktøyet.** Elektroverktøy er farlige når de brukes av uerfarne personer.
- ▶ **Sørg for grundig stell av elektroverktøy. Kontroller at bevegelige deler på elektroverktøyet fungerer feilfritt og ikke klemmes fast, og om deler er brukket eller skadet, slik at dette innvirker på elektroverktøyets funksjon. La skadde deler repareres før elektroverktøyet brukes.** Mange ulykker er et resultat av dårlig vedlikeholdte elektroverktøy.
- ▶ **Hold skjæreverktøy skarpe og rene.** Godt vedlikeholdte skjæreverktøy med skarpe skjærekanten blir sjeldnere fastklemt og er lettere å styre.
- ▶ **Bruk elektroverktøy, tilbehør, arbeidsverktøy osv. i overensstemmelse med denne anvisningen. Ta hensyn til arbeidsforholdene og arbeidet som skal utføres.** Bruk av elektroverktøy til andre formål enn det som er angitt, kan føre til farlige situasjoner.

Bruk og behandling av det batteridrevne elektroverktøyet

- ▶ **Bruk kun ladere som er anbefalt av produsenten når du skal lade batteriene.** Det oppstår brannfare når det brukes andre batterier i en lader enn dem laderen er egnet for.
- ▶ **Bruk bare batterier som er beregnet for de forskjellige elektroverktøyene.** Bruk av andre batterier kan medføre skader og brannfare.
- ▶ **Unngå å oppbevare ubrukte batterier i nærheten av binders, mynter, nøkler, nagler, skruer eller andre små metallgjenstander som kan forårsake kortslutning av kontakten.** En kortslutning mellom batterikontaktene kan føre til forbrenninger eller brann.
- ▶ **Ved feil bruk kan væske lekk fra batteriet. Unngå kontakt med denne væsken.** Batterivæske som renner ut, kan føre til iritasjoner på huden eller forbrenninger. Ved tilfeldig kontakt må det skylles med vann. Hvis det kommer væske i øynene, må du i tillegg oppsøke lege.

Service

- ▶ **Elektroverktøyet må kun repareres av kvalifisert fagpersonale og kun med originale reservedeler.** Slik opprettholdes elektroverktøyets sikkerhet.



2.2 Sikkerhetsanvisninger for bormaskiner

- ▶ **Bruk håndtakene som leveres med maskinen.** Tap av kontroll kan føre til skader.
- ▶ **Hold maskinen i de isolerte håndtakene når du utfører arbeid der verktøyet kan komme i kontakt med elektriske ledninger.** Kontakt med en spenningsførende ledning kan også sette maskinens metalldele under spenning og føre til elektrisk støt.

2.3 Ekstra sikkerhetsanvisninger skrumaskin

Personsikkerhet

- ▶ Bruk produktet bare i teknisk feilfri stand.
- ▶ Ikke foreta modifiseringer eller endringer på maskinen.
- ▶ Bruk håndtakene som leveres med maskinen. Tap av kontroll kan føre til skader.
- ▶ Hold alltid maskinen fast med begge hendene i de to håndtakene. Hold håndtakene tørre og rene.
- ▶ Unngå å berøre de roterende delene. Fare for personskader!
- ▶ Ved bruk av maskinen skal det alltid brukes egnede vernebriller, vernehjelm, hørselsvern, vernehansker og en lett ansiktsmaske.
- ▶ Bruk vernehansker også ved skifte av verktøy. Berøring av innsatsverktøyet kan føre til kuttskader og forbrenninger.
- ▶ Bruk øyevern. Splintret materiale kan skade kroppen og øynene.
- ▶ Før arbeidet påbegynnes, må du bringe på det rene hvilken fareklasse støvmaterialet som oppstår, tilhører. Bruk en anleggsstøvsuger med offisiell beskyttelsesklassifisering sammen med maskinen. Maskinen må oppfylle lokale støvbeskyttelseskrav. Støv fra materialer som blyholdig maling, enkelte tresorter, betong/mur/stein som inneholder kvarts, mineraler og metaller kan være helseskadelig.
- ▶ Sørg for god ventilasjon på arbeidsplassen, og bruk eventuelt åndedrettsvern tilpasset den aktuelle typen støv. Berøring eller innånding av slike typer støv kan fremkalle allergiske reaksjoner og/eller luftveissykdommer hos brukeren og andre personer som oppholder seg i nærheten. Bestemte typer støv som eikestøv eller bøkstøv regnes som kreftfremkallende, særlig i forbindelse med stoffer for trebehandling (kromat, trepleiemidler). Asbestholdige materialer skal kun håndteres av kvalifisert personell.
- ▶ Ta pauser i arbeidet og gjør øvelser for å sikre bedre blodsirkulasjon i fingrene. Ved langvarig arbeid kan det oppstå skader på blodkar eller nervesystemet i fingrer, hender eller håndledd.

Elektrisk sikkerhet

- ▶ Kontroller før arbeidet påbegynnes at det ikke finnes skjulte strømledninger, gass- eller vannrør i arbeidsområdet. Utvendige metalldele på maskinen kan forårsake elektrisk støt hvis du utilsiktet skulle skade en strømlledning.

Forsiktig behandling og bruk av elektroverktøy

- ▶ Slå elektroverktøyet av straks hvis verktøyet setter seg fast. Maskinen kan gli ut til siden.
- ▶ Vent til elektroverktøyet har stanset helt før du legger det fra deg.

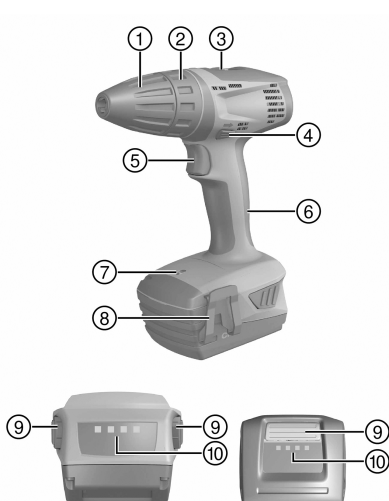
2.4 Aktsom håndtering og bruk av batterier

- ▶ Ta hensyn til spesielle retningslinjer for transport, lagring og bruk av Li-Ion-batterier.
- ▶ Hold batteriene unna høye temperaturer, direkte solskinn og åpen ild.
- ▶ Batteriene må ikke tas fra hverandre, klemmes, varmes opp over 80 °C eller brennes.
- ▶ Ikke bruk eller lad opp batterier som har fått et støt, har falt ned over en meter eller er skadet på annen måte. Kontakt i slike tilfeller alltid **Hilti service**.
- ▶ Hvis batteriet er for varmt til å ta i, kan det være defekt. Plasser produktet på et ikke-brennbar sted med tilstrekkelig avstand fra brennbare materialer, der det kan observeres. La det avkjøles. Kontakt i slike tilfeller alltid **Hilti service**.



3 Beskrivelse

3.1 Oversikt



- ① Hurtigchuck
- ② Innstillingsring for dreiemoment og boring
- ③ Togirsbryter
- ④ Bryter for høyre-/venstregang med innkoblingssperre
- ⑤ Kontrollbryter (med elektronisk turtallsstyring)
- ⑥ Håndtak
- ⑦ Lykt
- ⑧ Beltekrok (ekstrautstyr)
- ⑨ Låseknapper med tilleggsfunksjon for aktivering av ladeindikator
- ⑩ Lade- og feilindikator (Li-Ion-batteri)

3.2 Forskriftsmessig bruk

Det beskrevne produktet er en håndholdt, batteridrevet bor-/skrumaskin. Den er beregnet for innskruing og løsning av skruer og boring i stål, tre og plast.

- ▶ Til dette produktet må det bare brukes **Hilti** li-ion-batterier i serien B14 og B22.
- ▶ Bruk bare **Hilti**-laderne i C4/36-serien til disse batteriene.

3.3 Ladenivåindikator

Ladenivået for Li-Ion-batteriet vises når du trykker på låseknappen.

| Tilstand | Betydning |
|-----------------|--------------------------|
| 4 LED-er lyser. | Ladenivå: 75 % til 100 % |
| 3 LED-er lyser. | Ladenivå: 50 % til 75 % |
| 2 LED-er lyser. | Ladenivå: 25 % til 50 % |
| 1 LED lyser. | Ladenivå: 10 % til 25 % |
| 1 LED blinker. | Ladenivå: < 10 % |



Når kontrollbryteren er inntrykt, er det ikke mulig å vise ladenivået.

3.4 Dette følger med:

bor-/skrumaskin, bruksanvisning.

- I tillegg finner du tillatte systemprodukter til produktet hos nærmeste **Hilti**-senter eller på nettet under: www.hilti.group.



4 Tekniske data

4.1 Tekniske data

| | SFC 14-A | SFC 22-A |
|---|----------------------------|----------------------------|
| Merkespenning | 14,4 V | 21,6 V |
| Vekt i henhold til EPTA-prosedyre 01 | 1,5 kg | 2,4 kg |
| Turtall 1. gir | 0 o/min ... 500 o/min | 0 o/min ... 600 o/min |
| Turtall 2. gir | 0 o/min ... 1 700 o/min | 0 o/min ... 1 800 o/min |
| Dreiemoment (maks.) | 24 Nm | 28 Nm |
| Dreiemomentinnstilling (15 trinn) | 1,5 Nm ... 10 Nm | 1,5 Nm ... 10 Nm |

4.2 Batteri

| | |
|---|------------------|
| Batteriets driftsspenning | 14,4 V |
| Omgivelsestemperatur under drift | -17 °C ... 60 °C |
| Lagringstemperatur | -20 °C ... 40 °C |
| Batteritemperatur ved ladestart | -10 °C ... 45 °C |

4.3 Batteri

| | |
|---|------------------|
| Batteriets driftsspenning | 21,6 V |
| Omgivelsestemperatur under drift | -17 °C ... 60 °C |
| Lagringstemperatur | -20 °C ... 40 °C |
| Batteritemperatur ved ladestart | -10 °C ... 45 °C |

4.4 Støyinformasjon og vibrasjonsverdier iht. EN 60745

Lydtrykk- og vibrasjonsverdiene som er angitt i denne bruksanvisningen, er målt i samsvar med en normert målemetode og kan brukes til sammenligning av elektroverktøy. De egner seg også til en foreløpig vurdering av eksponeringene. De angitte dataene representerer de viktigste bruksområdene for elektroverktøyet. Men hvis elektroverktøyet brukes til andre formål, med avvikende innsatsverktøy eller med utilstrekkelig vedlikehold, kan dataene avvike. Dette kan øke eksponeringene betraktelig gjennom hele arbeidsperioden. For å få en nøyaktig vurdering av eksponeringene må man også ta hensyn til tidsrommene da maskinen er slått av eller er i gang, men ikke i drift. Dette kan redusere eksponeringene betraktelig gjennom hele arbeidsperioden. Fastsatt ekstra sikkerhetstiltak for å beskytte operatøren mot effekten av støy og/eller vibrasjoner, for eksempel: Vedlikehold av elektroverktøy og innsatsverktøy, holde hendene varme, organisering av arbeidsprosesser.

Støyutslippsverdier

| | SFC 14-A | SFC 22-A |
|---|----------|----------|
| Avgitt lydtrykk (L_{pA}) | 69 dB(A) | 69 dB(A) |
| Usikkerhet lydtrykknivå (K_{pA}) | 3 dB(A) | 3 dB(A) |
| Lydeffektnivå | 80 dB(A) | 80 dB(A) |
| Usikkerhet lydeffektnivå (K_{WA}) | 3 dB(A) | 3 dB(A) |

Totale vibrasjonsverdier

| | SFC 14-A | SFC 22-A |
|--|-----------------------|-----------------------|
| Avgitt vibrasjonsverdi skruer (a_{h1}) | < 2 m/s ² | < 2 m/s ² |
| Usikkerhet skruing (K) | 1,5 m/s ² | 1,5 m/s ² |
| Boring i metall ($a_{h,D}$) | 2,67 m/s ² | 2,67 m/s ² |
| Usikkerhet boring i metall (K) | 1,5 m/s ² | 1,5 m/s ² |



5 Klargjøring til arbeidet

FORSIKTIG

Fare for personskader på grunn av utilsiktet start!

- ▶ Før batteriet settes i, må det kontrolleres at det tilhørende produktet er slått av.
 - ▶ Fjern batteriet før du foretar maskininnstillinger eller skifter tilbehørsdeler.
-

Følg sikkerhetshenvisningene og advarslene i denne dokumentasjonen og på produktet.

5.1 Lade batteriet

1. Les bruksanvisningen for laderen før lading.
2. Kontaktene på batteriet og laderen må være rene og tørre.
3. Lad opp batteriet i en godkjent lader.

5.2 Sette i batteri

FORSIKTIG

Fare for personskader på grunn av kortslutning eller ved at batteriet faller ned!

- ▶ Forsikre deg om at det ikke er fremmedlegemer ved kontaktene på batteriet og kontaktene på produktet før du setter batteriet inn i maskinen.
 - ▶ Kontroller at batteriet alltid går riktig i inngrep.
-

1. Lad batteriet helt opp før første gangs bruk.
2. Sett batteriet inn i holderen på maskinen til det klikker hørbart på plass.
3. Kontroller at batteriet sitter godt fast.

5.3 Ta ut batteriet

1. Trykk på låseknappene til batteriet.
2. Trekk batteriet ut av maskinen.

5.4 Montere beltekrok (ekstraustyr)

ADVARSEL

Fare for personskader. Hvis maskinen faller ned, kan dette være farlig for deg selv og andre.

- ▶ Kontroller før arbeidet starter at beltekroken er sikkert festet.
-



Beltekroken kan brukes til å feste maskinen inntil kroppen. Beltekroken kan monteres både på høyre og venstre side.

- ▶ Monter beltekroken.

5.5 Sette i innsatsverktøy

1. Sett bryteren for høyre-/venstregang i midtstilling eller koble batteriet fra maskinen.
2. Kontroller at innstikkenden på innsatsverktøyet er ren. Gjør den ren om nødvendig.
3. Åpne hurtigchucken.
4. Skyv innsatsverktøyet inn i hurtigchucken, og skru hurtigchucken fast til du hører flere mekaniske klikk.
5. Kontroller at innsatsverktøyet sitter godt fast.

6 Betjening

Følg sikkerhetsanvisningene og advarslene i denne dokumentasjonen og på produktet.

6.1 Velge gir

- ▶ Velg giret.



6.2 Stille inn høyre- eller venstregang

En sperre hindrer at motoren kobles om når den er i drift. I midtstilling er kontrollbryteren blokkert (innkoblingsperre).

- ▶ Still inn bryteren for høyre-/venstregang i ønsket dreieretning.

6.3 Slå på

- ▶ Trykk på kontrollbryteren.

Avhengig av hvor langt inn kontrollbryteren trykkes, kan turtallet innstilles trinnløst til maksimalt turtall.

6.4 Skruing

1. Still inn det nødvendige dreiemomentet på innstillingsringen for dreiemoment og funksjon.
2. Still inn ønsket rotasjonsretning med bryteren for høyre-/venstregang.

6.5 Boring

1. Sett innstillingsringen for dreiemoment og funksjon på symbolet .
2. Sett bryteren for høyre-/venstregang på høyregang.

6.6 Slå av

- ▶ Slipp kontrollbryteren.

6.7 Ta ut innsatsverktøyet

1. Sett bryteren for høyre-/venstregang i midtstilling eller koble batteriet fra maskinen.
2. Åpne hurtigchucken.
3. Trekk innsatsverktøyet ut av hurtigchucken.

7 Service og vedlikehold

ADVARSEL

Fare for personskader på grunn av isatt batteri !

- ▶ Ta alltid ut batteriet før stell og vedlikeholdsarbeid!

Stell av maskinen

- Fjern gjenstridig smuss forsiktig.
- Rengjør ventilasjonsåpningene forsiktig med en tørr børste.
- Rengjør huset bare med en lett fuktet klut. Ikke bruk silikonholdige pleiemiddel, da dette kan angripe plastdelene.

Stell av Li-Ion-batterier

- Hold batteriet rent og fritt for olje og fett.
- Rengjør huset bare med en lett fuktet klut. Ikke bruk silikonholdige pleiemiddel, da dette kan angripe plastdelene.
- Unngå inntrenging av fuktighet.

Vedlikehold

- Kontroller alle synlige deler regelmessig mht. skade og alle betjeningslementene mht. feilfri funksjon.
- Ved skader og/eller funksjonsfeil må produktet ikke brukes. Få maskinen reparert av **Hilti** service snarest mulig.
- Etter stell- og vedlikeholdsarbeid må alle beskyttelsesinnretninger monteres, og det må foretas funksjonskontroll av dem.



i Av hensyn til sikkerheten må du bare bruke originale reservedeler og forbruksmaterialer. Reservedeler, forbruksmaterialer og tilbehør til produktet, som er godkjent av oss, finner du hos **Hilti Store** eller under: **www.hilti.group**.

8 Transport og lagring av batterier

Transport

FORSIKTIG

Utisiktet start under transport !

- ▶ Transporter alltid produktene dine uten batterier!
- ▶ Ta ut batteriene.
- ▶ Ikke transporter batterier upakket.
- ▶ Etter en lengre transport må maskin og batterier kontrolleres med hensyn til skade før bruk.

Lagring

FORSIKTIG

Utisiktet skade på grunn av defekte batterier eller lekkasje fra batterier !

- ▶ Oppbevar alltid produktene dine uten batterier!
- ▶ Oppbevar maskin og batterier mest mulig kaldt og tørt.
- ▶ Batteriene må aldri lagres i solen, på en radiator eller bak glassruter.
- ▶ Oppbevar maskin og batterier utenfor barns og uvedkommes rekkevidde.
- ▶ Etter lengre tids oppbevaring må maskin og batterier kontrolleres med hensyn til skade før bruk.

9 Feilsøking

9.1 Feilsøking

Ved feil som ikke står i denne tabellen eller som du selv ikke kan rette opp, må du kontakte **Hilti service**.

| Feil | Mulig årsak | Løsning |
|--|---|--|
| Maskinen fungerer ikke. | Batteriet er ikke satt helt inn. | ▶ La batteriet gå i lås med et hørbart dobbeltklikk. |
| | Batteriet er utladet. | ▶ Skift batteri og lad tomt batteri. |
| | Elektrisk feil. | ▶ Ta batteriet ut av maskinen og kontakt Hilti service . |
| Maskinen fungerer ikke og én LED blinker. | Batteriet er utladet. | ▶ Skift batteri og lad tomt batteri. |
| | Batteriet er for varmt eller for kaldt. | ▶ Bring batteriet til anbefalt driftstemperatur. |
| Av/på-bryteren kan ikke trykkes inn eller er blokkert. | Bryteren for høyre-/venstregang er i midtstilling. | ▶ Trykk bryteren for høyre-/venstregang mot venstre eller høyre. |
| LED 1 blinker | Batteriet er utladet. | ▶ Skift batteri og lad tomt batteri. |
| | Maskinen er overbelastet (bruksgrensen er overskredet). | ▶ Sjekk alltid produktets motoreffekt før du begynner å arbeide. Se tekniske data. |
| Batteriet blir tomt raskere enn vanlig. | Svært lave omgivelses-temperaturer. | ▶ La batteriet varmes langsomt opp til romtemperatur. |
| Batteriet festes ikke med et hørbart dobbeltklikk. | Festetappene på batteriet er skitne. | ▶ Rengjør festetappene og la batteriet klikke på plass. Hvis problemet vedvarer, kontakter du Hilti service . |



10 Avhending

Hilti-apparater er i stor grad laget av resirkulerbart materiale. En forskriftsmessig materialsortering er en forutsetning for resirkulering. I mange land tar **Hilti** diitt gamle apparat i retur. Spør **Hilti** kundeservice eller forhandleren din.

Avhending av batterier

Ved ukynndig avhending av batterier kan gasser eller væsker som lekker ut, representere helsefare.

- ▶ Ikke send skadde batterier i posten eller på annen måte!
- ▶ Dekk til kontaktene med et ikke-ledende materiale for å unngå kortslutning.
- ▶ Kasser batterier slik at de er utilgjengelige for barn.
- ▶ Lever inn batteriet i nærmeste **Hilti Store**, eller kontakt et lokalt renovasjonsfirma.



- ▶ Kast aldri elektroverktøy, elektronisk utstyr eller batterier i husholdningsavfallet!

11 China RoHS (direktiv for begrensning av bruk av farlige stoffer)

Under følgende lenke finner du tabellen over farlige stoffer: qr.hilti.com/r4793 (SFC 14-A og qr.hilti.com/r4833 (SFC 22-A).

Du finner en lenke til RoHS-tabellen helt til slutt i denne dokumentasjonen som QR-kode.

12 Produsentgaranti

- ▶ Når det gjelder spørsmål om garantibetingelser, ber vi deg kontakte din lokale **Hilti**-partner.

Alkuperäiset ohjeet

1 Dokumentaation tiedot

1.1 Tästä dokumentaatiosta

- Lue ehdottomasti tämä dokumentaatio ennen tuotteen käyttöönottoa. Se on turvallisen työnteen ja tuotteen ongelmattoman käsittelyn perusedellytys.
- Noudata tässä dokumentaatiossa ja tuotteessa olevia turvallisuus- ja varoitushuomautuksia.
- Säilytä käyttöohje aina tuotteen yhteydessä ja varmista, että käyttöohje on mukana, kun luovutat tuotteen toiselle henkilölle.

1.2 Merkkien selitykset

1.2.1 Varoitushuomautukset

Varoitushuomautukset varoittavat tuotteen käyttöön liittyvistä vaaroista. Seuraavia varoitustekstejä käytetään:



VAKAVA VAARA

VAKAVA VAARA !

- ▶ Varoittaa uhkaavasta vaaratilanteesta, josta voi seurauksena olla vakava loukkaantuminen tai jopa kuolema.



VAARA

VAARA !

- ▶ Varoittaa mahdollisesta vaarasta, josta voi seurauksena olla vakava loukkaantuminen tai kuolema.



VAROITUS

VAROITUS !

- ▶ Varoittaa mahdollisesta vaaratilanteesta, josta voi seurata loukkaantuminen tai aineellinen vahinko.



2073071

Suomi

49

1.2.2 Symbolit dokumentaatioissa

Tässä dokumentaatioissa käytetään seuraavia symboleita:

| | |
|--|---|
| | Lue käyttöohje ennen käyttämistä |
| | Toimintaohjeita ja muuta hyödyllistä tietoa |
| | Kierrätyskelpoisten materiaalien käsittely |
| | Älä hävitä sähkölaitteita ja akkuja tavallisen sekajätteen mukana |

1.2.3 Symbolit kuvissa

Kuvissa käytetään seuraavia symboleita:

| | |
|--|---|
| | Nämä numerot viittaavat vastaavaan kuvaan tämän käyttöohjeen alussa |
| | Numerointi kertoo työvaiheiden järjestyksen kuvissa ja saattaa poiketa numeroinnista tekstissä |
| | Kohtanumeroita käytetään kuvassa Yleiskuva , ja ne viittaavat kuvatekstien numerointiin kappaleessa Tuoteyhteenveto |
| | Tämän merkin tarkoitus on kiinnittää erityinen huomiosi tuotteen käyttöön ja käsittelyyn. |

1.3 Tuotekohtaiset symbolit

1.3.1 Symbolit tuotteessa

Tuotteessa käytetään seuraavia symboleita:

| | |
|--------|---|
| | Poraaminen ilman iskua |
| /min | Kierrosta minuutissa |
| n_0 | Nimellisjoutokäyntikierrosluku |
| | Tasavirta |
| Li-Ion | Litiumioniakku |
| | Käytettävien Hilti -litiumioniakkujen tyyppisarja. Ota kappaleessa Tarkoituksenmukainen käyttö annetut tiedot huomioon. |
| | Tuote tukee langatonta tiedonsiirtoa, joka on yhteensopiva iOS- ja Android-alustojen kanssa. |
| | Älä koskaan käytä akkua lyöntityökaluna. |
| | Älä päästä akkua putoamaan. Älä käytä akkua, johon on kohdistunut isku tai joka on muutoin vaurioitunut. |

1.4 Tuotetiedot

HILTI -tuotteet on tarkoitettu ammattikäyttöön, ja niitä saa käyttää, huoltaa tai korjata vain valtuutettu, koulutettu henkilö. Käyttäjän pitää olla hyvin perillä käyttöön liittyvistä vaaroista. Tuote ja sen varusteet saattavat aiheuttaa vaaratilanteita, jos kokemattomat henkilöt käyttävät tuotetta ohjeiden vastaisesti tai muutoin asiattomasti.

Tyyppimerkin ja sarjanumeron löydät tyyppikilvestä.

- Kirjoita sarjanumero oikeiseen taulukkoon. Tuotteen tiedot tarvitaan, jos esität kysymyksiä myynti- tai huoltoedustajallemme.

Tuotetiedot → Sivu 51



Tuotetiedot

| | |
|---------------|----------------------|
| Akkuporakone: | SFC 22-A SFC 14-A |
| Sukupolvi: | 01 |
| Sarjanumero: | |

1.5 Vaatimustenmukaisuusvakuutus

Vakuutamme, että tässä kuvattu tuote täyttää voimassa olevien direktiivien ja standardien vaatimukset. Kuva vaatimustenmukaisuusvakuutuksesta on tämän dokumentaation lopussa.

Tekninen dokumentaatio löytyy tästä:

Hilti Entwicklungsgesellschaft mbH | Zulassung Geräte | Hiltistraße 6 | 86916 Kaufering, DE

2 Turvallisuus

2.1 Sähkötyökaluja koskevat yleiset turvallisuusohjeet

⚠ VAARA! Lue kaikki turvallisuus- ja käyttöohjeet. Turvallisuus- ja käyttöohjeiden noudattamatta jättäminen saattaa johtaa sähköiskuun, tulipaloon ja/tai vakavaan loukkaantumiseen.

Säilytä kaikki turvallisuus- ja käyttöohjeet huolellisesti vastaisen varalle.

Työpaikan turvallisuus

- ▶ **Pidä työskentelyalue siistinä ja hyvin valaistuna.** Työpaikan epäjärjestys ja valaisemattomat työalueet voivat johtaa tapaturmiin.
- ▶ **Älä käytä sähkötyökalua räjähdysalttiissa ympäristössä, jossa on syttyvää nestettä, kaasua tai pölyä.** Sähkötyökalut synnyttävät kipinöitä, jotka saattavat sytyttää pölyn tai höyryä.
- ▶ **Pidä lapset ja sivulliset loitolla sähkötyökalua käyttäessäsi.** Voit menettää laitteen hallinnan huomiosi suuntautuessa muualle.

Sähköturvallisuus

- ▶ **Vältä koskettamasta maadotettuihin pintoihin kuten putkiin, pattereihin, liesiin ja jääkaappeihin.** Sähköiskun vaara kasvaa, jos kehosi maadotuu.
- ▶ **Älä aseta sähkötyökalua alttiiksi sateelle tai kosteudelle.** Veden tunkeutuminen sähkötyökalun sisään lisää sähköiskun vaaraa.

Henkilöturvallisuus

- ▶ **Ole valpas, kiinnitä huomiota työskentelyysi ja noudata tervettä järkeä sähkötyökalua käyttäessäsi. Älä käytä sähkötyökalua, jos olet väsynyt tai huumeiden, alkoholin tai lääkkeiden vaikutuksen alaisena.** Sähkötyökalua käytettäessä hetkellinenkin varomattomuus saattaa aiheuttaa vakavia vammoja.
- ▶ **Käytä henkilökohtaisia suojarusteita ja aina suojalaseja.** Henkilökohtaiset suojarusteet, kuten hengityssuojain, luistamattomat turvajalkineet, kypärä ja kuulosuojaimet, pienentävät oikein käytettyinä loukkaantumisriskiä sähkötyökalun käyttötilanteesta riippuen.
- ▶ **Varo tahatonta käynnistämistä. Varmista, että sähkötyökalu on kytketty pois päältä, ennen kuin liität siihen akun, otat sen käteesi tai kannat sitä.** Jos kannat sähkötyökalua sormi käyttökytkimellä tai liität pistokkeen pistorasiaan käyttökytkimen ollessa käyntiasennossa, altistat itsesi onnettomuuksille.
- ▶ **Poista kaikki säätötyökalut ja ruuvitalat, ennen kuin käynnistät sähkötyökalun.** Työkalu tai avain, joka sijaitsee laitteen pyöriässä osassa, saattaa johtaa loukkaantumiseen.
- ▶ **Vältä vaikeita työskentelyasentoja. Varmista aina tukeva seisoma-asento ja tasapaino.** Siten voit paremmin hallita sähkötyökalua odottamattomissa tilanteissa.
- ▶ **Käytä työohsi soveltuvia vaatteita. Älä käytä löysiä työvaatteita tai koruja. Pidä hiukset, vaatteet ja käsineet loitolla liikkuvista osista.** Väljät vaatteet, korut ja pitkät hiukset voivat takertua liikkuviin osiin.
- ▶ **Jos pölynpoisto- ja keräilylaitteita voidaan asentaa, sinun on tarkastettava, että ne on liitetty oikein ja että niitä käytetään oikealla tavalla.** Pölynpoistovarustuksen käyttö vähentää pölyn aiheuttamia vaaroja.

Sähkötyökalun käyttö ja käsittely

- ▶ **Älä ylikuormita laitetta. Käytä kyseiseen työhön tarkoitettua sähkötyökalua.** Sopivaa sähkötyökalua käyttäen työskentelet paremmin ja varmemmin tehoalueella, jolle sähkötyökalu on tarkoitettu.
- ▶ **Älä käytä sähkötyökalua, jonka käyttökytkin ei toimi.** Sähkötyökalu, jota ei enää voida käynnistää ja pysäyttää käyttökytkimellä, on vaarallinen ja se täytyy korjata.
- ▶ **Irrota akku, ennen kuin muutat laitteen asetuksia tai vaihdat lisävarusteosia, tai kun lopetat laitteen käyttämisen.** Tämä turvatoimenpide estää sähkötyökalun tahattoman käynnistysriskin.



2073071

Suomi

51

- ▶ **Säilytä sähkötyökalut poissa lasten ulottuvilta, kun niitä ei käytetä. Älä anna toisten henkilöiden käyttää sähkötyökalua, elleivät he ole perehtyneet sen käyttöön ja lukeneet käyttöohjeita.** Sähkötyökalut ovat vaarallisia, jos niitä käytävältä kokemattomat henkilöt.
- ▶ **Hoida sähkötyökalujasi huolellisesti. Tarkasta, että liikkuvat osat toimivat moitteettomasti eivätkä ole puristuksissa, ja tarkasta myös, ettei sähkötyökalussa ole murtuneita tai vaurioituneita osia, jotka saattaisivat haitata sen toimintaa. Korjauta vaurioituneet osat ennen työkalun käyttämistä.** Usein loukkaantumisten ja tapaturmien syyinä on sähkötyökalujen laiminlyöty huolto.
- ▶ **Pidä terät terävinä ja puhtaina.** Huolella hoidetut terät, joiden leikkausreunat ovat teräviä, eivät jumitu herkästi, ja niillä työnteko on kevyempää.
- ▶ **Käytä sähkötyökalua, lisävarusteita ja tarvikkeita, teriä jne. niiden käyttöohjeiden mukaisesti. Ota tällöin työolosuhteet ja suoritettava työtehtävä huomioon.** Sähkötyökalun käyttö muuhun kuin sille tarkoitettuun käyttöön saattaa johtaa vaarallisiin tilanteisiin.

Akkukäyttöisen sähkötyökalun käyttö ja käsittely

- ▶ **Lataa akku vain valmistajan suositellulla laturilla.** Jos laturi on tarkoitettu vain tietyn akkumallin lataamiseen, palovaara on olemassa, jos laturia käytetään muiden akkujen lataamiseen.
- ▶ **Käytä ainoastaan juuri kyseiseen sähkötyökaluun tarkoitettua akkua.** Jonkun muun akun käyttö saattaa johtaa loukkaantumiseen ja tulipaloon.
- ▶ **Pidä irrallinen akku loitolla metalliesineistä, kuten paperinliittimistä, kolikoista, avaimista, nau-loista, ruuveista tai muista pienistä metalliesineistä, jotka voivat oikosulkea akun liittimet.** Akun liittimien välinen oikosulku saattaa aiheuttaa palovammoja tai johtaa tulipaloon.
- ▶ **Väärästä käytöstä johtuen saattaa akusta vuotaa nestettä, jota ei saa koskettaa. Vältä kosketusta sen kanssa.** Akusta vuotava neste saattaa aiheuttaa ärsytystä ja palovammoja. Huuhtelee kosketuskohta vedellä. Jos nestettä pääsee silmiin, tarvitaan lisäksi lääkärin apua.

Huolto

- ▶ **Anna koulutettujen ammattihenkilöiden korjata sähkötyökalusi ja hyväksy korjauksiin vain alkupe-räisiä varaosia.** Siten varmistat, että sähkötyökalu säilyy turvallisena.

2.2 Porakoneita koskevat turvallisuusohjeet

- ▶ **Käytä koneen mukana toimitettuja lisäkäsikahvoja.** Koneen hallinnan menettäminen saattaa aiheuttaa loukkaantumisia.
- ▶ **Pidä koneesta kiinni vain sen eristetyistä kahvapinnoista, jos teet työtä, jossa terä saattaa osua rakenteen sisällä olevaan virtajohtoon.** Jos terä osuu virtajohtoon, koneen metalliosiin saattaa johtua virta, jolloin saatat saada sähköiskun.

2.3 Lisää ruuvainten turvallisuusohjeita

Henkilöturvallisuus

- ▶ Käytä vain tuotetta, joka on teknisesti moitteettomassa kunnossa.
- ▶ Älä koskaan tee koneeseen minkäänlaisia muutoksia.
- ▶ Käytä koneen mukana toimitettuja lisäkäsikahvoja. Koneen hallinnan menettäminen saattaa aiheuttaa loukkaantumisia.
- ▶ Pidä aina molemmin käsin kiinni koneen käsikahvoista. Pidä käsikahvat kuivina ja puhtaina.
- ▶ Varo, ettet koske pyöriiviin osiin - loukkaantumisvaara!
- ▶ Koneetta käyttäessäsi käytä soveltuvia suojalaseja, suojakypärää, kuulosuojaimia, suojakäsineitä ja kevyttä hengityssuojainta.
- ▶ Käytä työkaluterän vaihdossa suojakäsineitä. Työkaluterän koskettaminen saattaa aiheuttaa haavoja ja palovammoja.
- ▶ Käytä suojalaseja. Sirpaleet saattavat aiheuttaa vammoja ja vahingoittaa silmiä.
- ▶ Selvitä työssä syntyvän pölyn vaarallisuus ennen työn aloittamista. Käytä rakennustyömaakäyttöön hyväksyttyä pölynimuria, joka täyttää viralliset pölysuojaluokitusmääräykset. Tiettyjen materiaalien kuten lyijypitoisen maalin, joidenkin puulajien, kvartsia sisältävän betonin / muurauksen / kivityksen ja mineraalien sekä metallien pölyt voivat olla terveydelle vaarallisia.
- ▶ Varmista työpisteen hyvä tuuletus ja tarvittaessa käytä hengityssuojainta, joka soveltuu kyseessä olevalla pölylle. Pölyjen ihokosketus tai hengittäminen saattaa aiheuttaa allergisia reaktioita ja/tai hengitystiesairauksia koneen käyttäjälle tai lähellä oleville henkilöille. Tietty pölyt kuten tammen tai pyökien pöly on luokiteltu syöpää aiheuttaviksi, erityisesti jos niihin liittyy puunkäsittelyn lisäaineita (kromaatti, puunsuoja-aineet). Asbestia sisältäviä materiaaleja saavat työstää vain erikoiskoulutetut henkilöt.



- Pidä työssäsi taukoja, joiden aikana tee sormivoimisteluliikkeitä varmistaaksesi sormiesi hyvän verenkierron. Pitempään jatkuva työnteko saattaa tärinän vuoksi aiheuttaa verenkiertohäiriöitä tai sormien, käsien ja ranteiden hermokipuja.

Sähköturvallisuus

- Tarkasta ennen työn aloittamista, onko työskentelyalueella rakenteiden sisälle asennettuja sähköjohtoja tai kaasu- ja vesiputkia. Koneen ulkopinnan metalliosista saatat saada sähköiskun, jos vahingossa osut sähköjohtoon.

Sähkötyökalujen käyttö ja hoito

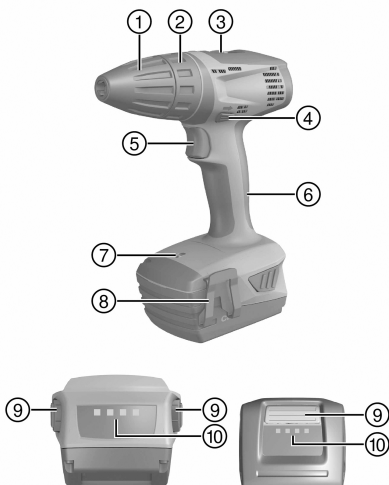
- Kytke sähkötyökalu heti pois päältä, jos terä jumittuu. Kone saattaa pyrkiä liikkumaan sivusuunnassa.
- Odota, että sähkötyökalu on täysin pysähtynyt, ennen kuin lasket sen kädestäsi.

2.4 Akkujen käyttö ja hoito

- Ota litiumioniakkujen kuljettamisesta, varastoinnista ja käyttämisestä annetut erityisohjeet huomioon.
- Suojaa akut korkeilta lämpötiloilta, suoralta auringonpaisteelta ja avotulelta.
- Akkuja ei saa avata, puristaa, kuumentaa yli 80 °C:n lämpötilaan tai polttaa.
- Älä käytä tai lataa akkua, joka on saanut iskun, joka on pudonnut yli metrin korkeudelta tai joka on muulla tavoin vaurioitunut. Tällaisessa tapauksessa ota aina yhteys **Hilti -huoltoon**.
- Jos akku on liian kuuma koskea, se saattaa olla vaurioitunut. Aseta tuote riittävän etäälle syttyivistä materiaaleista palovaarattomaan paikkaan, jossa voit valvoa tuotetta, ja anna sen jäähtyä. Tällaisessa tapauksessa ota aina yhteys **Hilti -huoltoon**.

3 Kuvaus

3.1 Yhteenveto



- ① Pikaistukka
- ② Vääntömomentin ja poraamisen säätörengas
- ③ Kaksivaihtekytin
- ④ Suunnanvaihtokytin jossa päälle kytkemisen salpa
- ⑤ Käyttökytkin (kierrosluvun elektroninen säätö)
- ⑥ Käsikahva
- ⑦ Lamppu
- ⑧ Vyökoukku (lisävaruste)
- ⑨ Vapautuspainikkeet joissa lisätoimintona lataustilan näytön aktivointi
- ⑩ Lataustila- ja häiriönäyttö (litiumioniakku)

3.2 Tarkoituksenmukainen käyttö

Kuvattu tuote on käsiohjattava akkukäyttöinen porakone. Se on tarkoitettu ruuvien kiertämiseen sekä poraamiseen teräkseen, puuhun ja muoviin.

- Käytä tässä tuotteessa vain tyyppisarjan B14 ja B22 **Hilti**-litiumioniakkuja.
- Käytä tämän akun yhteydessä vain C4/36-sarjan **Hilti**-latureita.

3.3 Lataustilan näyttö

Litiumioniakun lataustila näytetään, kun akun lukituksen vapautuspainiketta painetaan kevyesti.



2073071

Suomi

53

| Tila | Merkitys |
|--------------------------|----------------------------|
| 4 LED-merkkivaloa palaa. | Lataustila: 75 % ... 100 % |
| 3 LED-merkkivaloa palaa. | Lataustila: 50 % ... 75 % |
| 2 LED-merkkivaloa palaa. | Lataustila: 25 % ... 50 % |
| 1 LED-merkkivalo palaa. | Lataustila: 10 % ... 25 % |
| 1 LED vilkkuu. | Lataustila: < 10 % |

Jos käyttökytkin on painettuna, akun lataustilaa ei voi tarkastaa.

3.4 Toimituksen sisältö

Porakone, käyttöohje.

- Muita tälle tuotteelle hyväksytyjä järjestelmätuotteita löydät **Hilti**-edustajalta tai internetistä osoitteesta: www.hilti.group.

4 Tekniset tiedot

4.1 Tekniset tiedot

| | SFC 14-A | SFC 22-A |
|--|---------------------|---------------------|
| Nimellisjännite | 14,4 V | 21,6 V |
| Paino EPTA 01 mukaan | 1,5 kg | 2,4 kg |
| Kierrosluvu 1. vaihteella | 0/min ... 500/min | 0/min ... 600/min |
| Kierrosluvu 2. vaihteella | 0/min ... 1 700/min | 0/min ... 1 800/min |
| Vääntömomentti (max.) | 24 Nm | 28 Nm |
| Vääntömomentin säätö (15 asentoa) | 1,5 Nm ... 10 Nm | 1,5 Nm ... 10 Nm |

4.2 Akku

| | |
|---|------------------|
| Akkutoimintajännite | 14,4 V |
| Ympäristön lämpötila käytettäessä | -17 °C ... 60 °C |
| Varastointilämpötila | -20 °C ... 40 °C |
| Akun lämpötila lataamisen alkaessa | -10 °C ... 45 °C |

4.3 Akku

| | |
|---|------------------|
| Akkutoimintajännite | 21,6 V |
| Ympäristön lämpötila käytettäessä | -17 °C ... 60 °C |
| Varastointilämpötila | -20 °C ... 40 °C |
| Akun lämpötila lataamisen alkaessa | -10 °C ... 45 °C |

4.4 Melutiedot ja värinäarvot EN 60745 mukaan

Tässä käyttöohjeessa annetut äänenpaine- ja värinäarvot on mitattu standardoitujen mittausmenetelmien mukaisesti, ja näitä arvoja voidaan käyttää sähkötyökalujen vertailussa. Ne soveltuvat myös altistumisten tilapäiseen arviointiin. Annetut arvot koskevat sähkötyökalun pääasiallisia käyttötarkoituksia. Jos sähkötyökalua kuitenkin käytetään muihin tarkoituksiin, poikkeavia työkaluja tai teriä käyttäen tai puutteellisesti huollettuna, arvot voivat poiketa tässä ilmoitetuista. Tämä saattaa merkittävästi lisätä altistumista koko työskentelyajan aikana. Altistumisia tarkasti arvioitaessa on otettava huomioon myös ne ajat, jolloin kone on kytketty pois päältä tai jolloin kone on päällä, mutta sillä ei tehdä varsinaista työtä. Tämä saattaa merkittävästi vähentää altistumista koko työskentelyajan aikana. Käyttäjän suojaamiseksi melun ja/tai värinän vaikutukselta ryhdy tarpeellisiin turvatoimenpiteisiin kuten: Sähkötyökalun ja siihen kiinnitettävien työkaluterien huolto, käsien lämpimänä pitäminen, työtehtävien organisointi.



Melupäästöarvot

| | SFC 14-A | SFC 22-A |
|---|----------|----------|
| Melupäästön äänenpainetaso (L_{pA}) | 69 dB(A) | 69 dB(A) |
| Äänenpainetason epävarmuus (K_{pA}) | 3 dB(A) | 3 dB(A) |
| Äänitehotaso | 80 dB(A) | 80 dB(A) |
| Äänitehotason epävarmuus (K_{WA}) | 3 dB(A) | 3 dB(A) |

Tärinän kokonaisarvot

| | SFC 14-A | SFC 22-A |
|--------------------------------------|-----------------------|-----------------------|
| Tärinäarvo ruuvattaessa (a_h) | < 2 m/s ² | < 2 m/s ² |
| Epävarmuus ruuvattaessa (K) | 1,5 m/s ² | 1,5 m/s ² |
| Poraaminen metalliin ($a_{h,D}$) | 2,67 m/s ² | 2,67 m/s ² |
| Epävarmuus porattaessa metalliin (K) | 1,5 m/s ² | 1,5 m/s ² |

5 Työkohteen valmistelu

VAROITUS

Loukkaantumiswaara vahingossa käynnistymisen seurauksena!

- ▶ Varmista ennen akun kiinnittämistä, että tuote on kytketty pois päältä.
- ▶ Irrota akku, ennen kuin muutat koneen säätöjä tai vaihdat lisävarusteosia.

Noudata tässä dokumentaatiossa ja tuotteessa olevia turvallisuus- ja varoitushuomautuksia.

5.1 Akun lataus

1. Ennen lataamista lue laturin käyttöohje.
2. Varmista, että liittimet akussa ja laturissa ovat puhtaat ja kuivat.
3. Lataa akku hyväksytyllä laturilla.

5.2 Akun kiinnitys

VAROITUS

Loukkaantumiswaara akun oikosulun tai putoamisen seurauksena!

- ▶ Ennen akun paikalleen laittamista varmista, ettei akun liittimissä akussa ja tuotteessa ole vieraita esineitä.
- ▶ Varmista, että akku aina lukittuu kunnolla paikalleen.

1. Lataa akku täyteen ennen ensimmäistä käyttökertaa.
2. Aseta akku kiinnikkeeseen koneessa siten, että akku kuultavasti lukittuu.
3. Tarkasta, että akku on kunnolla kiinni.

5.3 Akun irrotus

1. Paina akun lukituksen vapautuspainikkeita.
2. Vedä akku irti laitteesta.

5.4 Vyökoukun (lisävaruste) kiinnitys

VAARA

Loukkaantumiswaara. Putoamaan pääsevä kone saattaa aiheuttaa vaaran sinulle tai muille lähellä oleville.

- ▶ Ennen työn aloittamista tarkasta, että vyökoukku on kunnolla kiinnitetty.



Vyökoukun avulla voit kiinnittää koneen vyöhösi käden ulottuville. Vyökoukku voidaan kiinnittää koneen kantamiseksi vasemmalla tai oikealla puolella.

- ▶ Kiinnitä vyökoukku.



2073071

Suomi

55

5.5 Työkaluterän kiinnitys

1. Kytke suunnanvaihtokytkin keskiasentoon tai irrota koneesta akku.
2. Tarkasta, että työkaluterän istukkapää on puhdas. Tarvittaessa puhdista istukkapää.
3. Avaa pikaistukka.
4. Ohjaa työkaluterä pikaistukkaan ja kierrä pikaistukka kiinni, kunnes kuulet useamman mekaanisen kilahduksen.
5. Tarkasta, että työkaluterä on kunnolla kiinni.


6 Käyttö

Noudata tässä dokumentaatioissa ja tuotteessa olevia turvallisuus- ja varoitushuomautuksia.

6.1 Vaihteen valinta

- Valitse vaihde.


6.2 Pyörimissuunnan valinta

 Salpa estää suunnan vaihtamisen moottorin käydessä.
Keskiasennossa koneen käyttökytkin on lukitty (päälle kytkemisen salpa).

- Valitse haluamasi pyörimissuunta suunnanvaihtokytkimellä.

6.3 Kytkeminen päälle


- Paina käyttökytkintä.

 Koneen kierroslukua voi säätää portaattomasti painamalla käyttökytkintä aina maksimikierroslukuun saakka.

6.4 Ruuvaaminen

1. Valitse haluamasi vääntömomentti vääntömomentin ja toimintatavan säätörenkaalla.
2. Valitse haluamasi pyörimissuunta suunnanvaihtokytkimellä.

6.5 Poraaminen

1. Kierrä vääntömomentin ja toimintatavan säätörenkas symbolin  kohdalle.
2. Valitse suunnanvaihtokytkimellä pyörimissuunta oikealle.

6.6 Kytkeminen pois päältä

- Vapauta käyttökytkin.

6.7 Työkaluterän irrotus

1. Kytke suunnanvaihtokytkin keskiasentoon tai irrota koneesta akku.
2. Avaa pikaistukka.
3. Vedä työkaluterä irti pikaistukasta.

7 Huolto, hoito ja kunnossapito

VAARA

Loukkaantumisvaara jos akku paikallaan !

- Irrota akku aina ennen hoito- ja kunnostustöitä!

Koneen hoito

- Poista pinttynyt lika varovasti.
- Puhdista jäähdytysilmaraot varovasti kuivalla harjalla.



- Käytä kotelon puhdistamiseen vain kevyesti kostutettua kangasta. Älä käytä silikonia sisältäviä hoitoaineita, sillä ne voivat vaurioittaa muoviosia.

Litiumioniakkujen hoito

- Pidä akku puhtaana, öljyttömänä ja rasvattomana.
- Käytä kotelon puhdistamiseen vain kevyesti kostutettua kangasta. Älä käytä silikonia sisältäviä hoitoaineita, sillä ne voivat vaurioittaa muoviosia.
- Varo, ettei kosteutta pääse tunkeutumaan sisään.

Kunnossapito

- Tarkasta säännöllisin välein kaikkien näkyvien osien mahdolliset vauriot ja käyttöelementtien moitteeton toiminta.
- Jos havaitset vaurioita ja / tai toteat toimintahäiriöitä, älä käytä tuotetta. Korjauta heti **Hilti**-huollossa.
- Hoito- ja kunnostustöiden jälkeen kiinnitä kaikki suojalaitteet ja tarkasta niiden toiminta.



Käyttöturvallisuuden varmistamiseksi käytä vain alkuperäisiä varaosia ja käyttömateriaaleja. Tälle tuotteelle hyväksytyjä varaosia, kulutusmateriaaleja ja lisävarusteita löydät **Hilti Store** -liikkeestä tai osoitteesta: www.hilti.group.

8 Akkukäyttöisten koneiden kuljetus ja varastointi

Kuljettaminen

VAROITUS

Käynnistyminen vahingossa kuljetuksen aikana !

- ▶ Kuljeta tuotteesi aina akku irrotettuna!
- ▶ Irrota akut.
- ▶ Älä koskaan kuljeta akkuja irrallaan muiden tavaroiden joukossa.
- ▶ Pitemmän kuljetuksen jälkeen tarkasta koneen ja akkujen mahdolliset vauriot ennen käyttöä.

Varastointi

VAROITUS

Viallinen tai vuotava akku voi aiheuttaa vaurioita !

- ▶ Varastoi tuotteesi aina akku irrotettuna!
- ▶ Varastoi kone ja akut viileässä ja kuivassa paikassa.
- ▶ Älä koskaan varastoi akkuja auringonpaisteessa, lämmittimen tai patterin päällä tai ikkunan vieressä.
- ▶ Varastoi kone ja akut lasten ja asiattomien henkilöiden ulottumattomissa.
- ▶ Pitemmän varastoinnin jälkeen tarkasta kone ja akkujen mahdolliset vauriot ennen käyttöä.

9 Apua häiriötilanteisiin

9.1 Apua häiriötilanteisiin

Häiriöissä, joita ei ole kuvattu tässä taulukossa tai joita et itse pysty poistamaan, ota yhteys **Hilti**-huoltoon.

| Häiriö | Mahdollinen syy | Ratkaisu |
|--|--|---|
| Kone ei toimi. | Akku ei kunnolla kiinni. | ▶ Kiinnitä akku siten, että se lukittuu paikalleen kuuluvasti kaksi kertaa naksauten. |
| | Akku tyhjentynyt. | ▶ Vaihda akku ja lataa tyhjentynyt akku. |
| | Sähköinen vika. | ▶ Irrota akku koneesta ja ota yhteys Hilti -huoltoon. |
| Kone ei toimi ja yksi LED-merkkivalo vilkkuu. | Akku tyhjentynyt. | ▶ Vaihda akku ja lataa tyhjentynyt akku. |
| | Akku liian kuuma tai liian kylmä. | ▶ Anna akun jäähtyä tai lämmitä suositeltuun käyttölämpötilaan. |
| Käyttökytkintä ei saa painettua tai se on jumissa. | Suunnanvaihtokytkin on keskiasennossa. | ▶ Paina suunnanvaihtokytkin vasemmalle tai oikealle. |



| Häiriö | Mahdollinen syy | Ratkaisu |
|--|--|--|
| LED-merkivalo 1 viikkuu | Akku tyhjentynyt. | ▶ Vaihda akku ja lataa tyhjentynyt akku. |
| | Kone on ylikuormittunut (käyttökuormitusraja ylittynyt). | ▶ Ota aina ennen töiden aloittamista huomioon tuotteen teh tiedot. Ks. kohta Tekniset tiedot. |
| Akku tyhjenee tavallista nopeammin. | Erittäin alhainen ympäristön lämpötila. | ▶ Anna akun hitaasti lämmetä huoneenlämpötilaan. |
| Akku ei lukitu paikalleen selvästi kaksi kertaa nakshtaen. | Akun salpanokat likaantuneet. | ▶ Puhdista salpanokat ja kiinnitä akku paikalleen. Jos ongelma ei korjaantunut, ota yhteys Hilti -huoltoon. |

10 Hävittäminen

Hilti-työkalut, -koneet ja -laitteet on pääosin valmistettu kierrätyskelteisistä materiaaleista. Kierrätyksen edellytys on materiaalien asianmukainen lajittelu. Useissa maissa **Hilti** ottaa vanhat koneet ja laitteet vastaan kierrätystä ja hävitystä varten. Lisätietoja saat **Hilti**-huollosta tai -edustajalta.

Akkujen hävittäminen

Määräystenvastaisten hävittämisen seurauksena akuista ulos pääsevät kaasut tai nesteet voivat vaarantaa terveyden.

- ▶ Älä lähetä vaurioituneita akkuja!
- ▶ Peitä liitännät sähköä johtamattomalla materiaalilla oikosulkujen välttämiseksi.
- ▶ Hävitä akut siten, etteivät ne voi joutua lasten käsiin.
- ▶ Hävitä akku viemällä se **Hilti Store** -liikkeeseen tai käänny vastuullisen jätteenkäsittely-yrityksen puoleen.



- ▶ Älä hävitä sähkötyökaluja, elektronisita laitteita ja akkuja tavallisen sekajätteen mukana!

11 Kiinan RoHS (vaarallisten aineiden käytön rajoittamisen direktiivi)

Vaarallisten aineiden taulukon löydät seuraavista linkeistä: qr.hilti.com/r4793 (SFC 14-A) ja qr.hilti.com/r4833 (SFC 22-A).

Linkki RoHS-taulukkoon on tämän dokumentaation lopussa QR-koodina.

12 Valmistajan myöntämä takuu

- ▶ Jos sinulla on takuuehtoihin liittyviä kysymyksiä, ota yhteys paikalliseen **Hilti**-edustajaan.

Originaalkasutusjuhend

1 Andmed dokumentatsiooni kohta

1.1 Kasutusjuhend

- Enne seadme kasutuselevõttu lugege see kasutusjuhend läbi. See on ohutu kasutamise ja tõrgeteta töö eeldus.
- Järgige kasutusjuhendis esitatud ja tootele märgitud ohutusnõudeid ja hoiatusi.
- Hoidke kasutusjuhend alati seadme juures ja toote edasiandmisel teistele isikutele andke üle ka kasutusjuhend.

1.2 Märkide selgitus

1.2.1 Hoiatused

Hoiatused annavad märku toote kasutamisel tekkivatest ohtudest. Kasutatakse alljärgnevaid märksõnu:



OHT

OHT !

- ▶ Võimalikud ohtlikud olukorrad, mis võivad põhjustada kasutaja raskeid kehavigastusi või hukkumist.

HOIATUS

HOIATUS !

- ▶ Võimalik ohtlik olukord, mis võib põhjustada kasutaja raskeid kehavigastusi või hukkumist.

ETTEVAATUST

ETTEVAATUST !

- ▶ Võimalikud ohtlikud olukorrad, millega võivad kaasnedna kergemad kehavigastused või varaline kahju.

1.2.2 Kasutusjuhendis kasutatud sümbolid

Selles dokumendis kasutatakse järgmisi sümboleid.

| | |
|--|--|
| | Lugege enne kasutamist läbi kasutusjuhendi! |
| | Soovitused seadme kasutamiseks ja muu kasulik teave |
| | Taaskasutatavate materjalide käsitlemine |
| | Elektriseadmeid ja akusid ei tohi visata olmejäätmete hulka. |

1.2.3 Joonistel kasutatud sümbolid

Joonistel kasutatakse järgmisi sümboleid.

| | |
|--|---|
| | Numbrid viitavad vastavatele joonistele kasutusjuhendi alguses |
| | Numeratsioon kajastab tööetappide järjekorda pildi kujul ja võib tekstis kirjeldatud tööetappidest erineda |
| | Positsiooninumbreid kasutatakse ülevaatejoonisel ja need viitavad selgituste numbritele toote ülevaates |
| | See märk näitab, et toote käsitlemisel tuleb olla eriti tähelepanelik. |

1.3 Tootepõhised sümbolid

1.3.1 Sümbolid tootel

Tootel kasutatakse järgmisi sümboleid:

| | |
|--------|---|
| | Löögita puurimine |
| /min | pööret minutis |
| n_0 | Tühikäigu nimipöörete arv |
| | Alalisvool |
| Li-Ion | Liitumioonaku |
| | Kasutatud Hilti Li-ioonaku seeria. Pidage kinni peatükis Sihipärane kasutamine toodud juhistest. |
| | Seade võimaldab juhtmevaba andmeedastust ja ühildub iOS- ja Android-platvormidega. |
| | Ärge kasutage akut kunagi löögiriistana. |



2073071



Ärge laske akul kunagi maha kukkuda. Ärge kasutage akut, mis on saanud löögi või on muul moel kahjustatud.

1.4 Tooteinfo

tooted on ette nähtud professionaalsele kasutajale ja neid tohivad käsitseda, hooldada ja korrastada ainult volitatud ja asjaomase väljaõppega isikud. Nimetatud personal peab olema teadlik kõikidest kaasnevatest ohtudest. Seade ja sellega ühendatavad abivahendid võivad osutada ohtlikuks, kui neid ei kasutata nõuetekohasel või kui nendega töötab vastava väljaõppeta isik.

Tüübitähis ja seerianumber on tüübisildil.

- ▶ Kandke seerianumber järgmise tabelisse. Andmeid toote kohta vajate meie esindusele või hooldekeskusele päringute esitamisel.
Tooteinfo → Lehekülg 60

Tooteinfo

| | |
|-----------------------|----------------------|
| Akuretllkruvikeeraja: | SFC 22-A SFC 14-A |
| Generatsioon: | 01 |
| Seerianumber: | |

1.5 Vastavusdeklaratsioon

Kinnitame ainuvastutajana, et käesolevas kasutusjuhendis kirjeldatud seade vastab kehtivate direktiivide ja standardite nõuetele: Vastavusdeklaratsiooni ärakirja leiate käesoleva kasutusjuhendi lõpust.

Tehnilised dokumendid on saadaval:

Hilti Entwicklungsgesellschaft mbH | Zulassung Geräte | Hiltistraße 6 | 86916 Kaufering, DE

2 Ohutus

2.1 Üldised ohutusnõuded elektriliste tööriistade kasutamisel

⚠ HOIATUS! Lugege läbi kõik ohutusnõuded ja juhised. Järgnevate ohutusnõuete eiramise tagajärjeks võib olla elektrilöök, tulekahju ja/või rasked vigastused.

Hoidke kõik ohutusnõuded ja juhised edaspidiseks kasutamiseks alles.

Ohutus töökohal

- ▶ **Hoidke oma töökoht puhas ja valgustage seda korralikult.** Korrastamata ja valgustamata töökoht võib põhjustada õnnetusi.
- ▶ **Ärge kasutage elektritööriista plahvatusohtlikus keskkonnas, kus leidub tuleohtlikke vedelikke, gaase või tolmu.** Elektritööriistadest lööb sädemeid, mis võivad tolmu või aaurud süüdata.
- ▶ **Hoidke lapsed ja kõik teised töökohast eemal, kui kasutate elektritööriista!** Kui teie tähelepanu juhitakse kõrvale, võib seade teie kontrolli alt väljuda.

Elektriohutus

- ▶ **Vältige kehalist kontakti maandatud pindadega, nagu torud, radiaatorid, pliidid ja külmkapid.** Kui Teie keha on maandatud, on elektrilöögi oht suurem.
- ▶ **Kaitske elektritööriista vihma ja niiskuse eest.** Kui elektritööriista sisemusse satub vett, suurendab see elektrilöögiohtu.

Inimeste turvalisus

- ▶ **Olge tähelepanelik, jälgige oma tegevust ning toimige elektrilise tööriistaga töötades kaalutletult. Ärge töötage elektrilise tööriistaga, kui olete väsinud või alkoholi, narkootikumide või ravimite mõju all!** Hetkeline tähelepanematus elektrilise tööriista kasutamisel võib põhjustada raskeid kehavigastusi või varalist kahju.
- ▶ **Kandke isiklikke kaitsevahendeid ja alati kaitseprille.** Isiklike kaitsevahendite, nt tolmu maski, libisemiskindlate turvajalatsite, kaitsekiivri või kuulmiskaitsevahendite kandmine (sõltuvalt elektritööriista tüübist ja kasutusalaast) vähendab vigastusohu.
- ▶ **Vältige elektrilise tööriista tahtmatut käivitamist. Veenduge, et elektriline tööriist on välja lülitatud, kui ühendate selle külge aku või kui seda tõstate või kannate.** Kui hoiate elektrilise tööriista kandmisel kõrme lülilil või ühendate vooluvõrku sisselülitatud tööriista, võib tagajärjeks olla tööõnnetus.
- ▶ **Eemaldage enne elektritööriista sisselülitamist selle küljest seade- ja mutrivõtmed.** Elektritööriista pöörleva osa küljes olev seade- või mutrivõti võib põhjustada vigastusi.



- ▶ **Vältige ebatavalist tööasendit! Võtke stabiilne tööasend ja säilitage alati tasakaal.** Nii saate seadet ootamatutes olukordades paremini kontrollida.
- ▶ **Kandke sobivat rõivastust. Ärge kandke laiu riideid ega ehteid! Hoidke juuksed, rõivad ja kindad seadme liikuvatest osadest eemal.** Lotendavad riided, ehted ja pikad juuksed võivad sattuda seadme liikuvate osade vahele.
- ▶ **Kui elektritööriista külge on võimalik paigaldada tolmuemaldus- ja kogumiseseadiseid, veenduge, et need on tööriistaga ühendatud ja et need kasutatakse nõuetekohaselt.** Tolmuemaldusseadise kasutamine võib vähendada tolmust tingitud ohte.

Elektrilise tööriista kasutamine ja käsitsemine

- ▶ **Ärge koormake seadet üle! Kasutage konkreetseks tööks sobivat elektrilist tööriista.** See töötab ettenähtud jõudluspiirides tõhusamalt ja ohutumalt.
- ▶ **Ärge kasutage elektrilist tööriista, mille lüliti on rikkis!** Elektriline tööriist, mida ei saa enam lülitsit korralikult sisse ja välja lülitada, on ohtlik ning tuleb viia parandusse.
- ▶ **Eemaldage aku, enne kui asute tööriista seadistama, tarvikuid vahetama või tööriista hoiele panema.** See ettevaatusabinõu hoiab ära seadme tahtmatu käivitamise.
- ▶ **Kasutusvälisel ajal hoidke elektrilist tööriista lastele kättesaamatus kohas. Ärge lubage seadet kasutada isikutel, kes seda ei tunne või ei ole lugenud käesolevaid juhiseid.** Asjatundmatute isikute käes on elektrilised tööriistad ohtlikud.
- ▶ **Hooldage elektrilisi tööriistu hoolikalt. Kontrollige, kas seadme liikuvad detailid töötavad veult ega kiilu kiini.** Veenduge, et seadme detailid ei ole murdunud või kahjustatud määral, mis mõjutab seadme töökindlust. Laske kahjustatud osad enne seadme kasutamist parandada. Ebapiisavalt hooldatud elektrilised tööriistad põhjustavad tööõnnetusi.
- ▶ **Hoidke lõiketarvikud teravad ja puhtad.** Hästi hooldatud, teravate lõikeservadega lõiketarvikud kiiluvad harvemini kinni ja neid on lihtsam juhtida.
- ▶ **Kasutage elektrilist tööriista, tarvikuid ja lisatarvikuid vastavalt nendele juhistele. Arvestage seejuures töötingimuste ja tehtava töö iseloomuga.** Elektrilise tööriista kasutamine otstarbel, milleks see ei ole ette nähtud, võib põhjustada ohtlikke olukordi.

Akuga tööriista kasutamine ja käsitsemine

- ▶ **Laadige akusid ainult tootja soovitatud laadimiseseadmega.** Kui teatud tüüpi aku laadimiseks ettenähtud laadimiseseadet kasutatakse teist tüüpi akude laadimiseks, tekib tulekahjuoht.
- ▶ **Kasutage elektritööriistades ainult neile ettenähtud akusid.** Teist tüüpi akude kasutamine võib põhjustada vigastus- ja põlenguohtu.
- ▶ **Hoidke akud kasutusvälisel ajal eemal kirjaklambritest, müntidest, võtmetest, naeltest, kruvidest ja teistest väikestest metallesemetest, mis võivad aku kontaktid omavahel ühendada.** Aku kontaktide vahel tekkinud lühis võib põhjustada põletust või tulekahju.
- ▶ **Väärkasutuse korral võib akuvedelik akust välja voolata. Vältige sellega kokkupuudet.** Väljavoolav akuvedelik võib põhjustada nahaärritusi või põletusi. Juhusliku kokkupuute korral loputage kahjustatud kohta veega. Kui vedelik satub silma, pöörduge lisaks arsti poole.

Hooldus

- ▶ **Laske elektrilist tööriista parandada ainult kvalifitseeritud spetsialistidel, kes kasutavad originaalvaruosi.** Nii on tagatud, et elektritööriista ohutus säilib.

2.2 Ohutusnõuded puurtrellide kasutamisel

- ▶ **Kasutage tarnekomplekti kuuluvaid lisakäepidemeid.** Kontrolli kaotus seadme üle võib põhjustada vigastusi.
- ▶ **Kui teete töid, mille puhul võib tarvik tabada varjatud elektrijuhtmeid, hoidke seadet isoleeritud haardepinnast.** Kokkupuude pingestatud elektrijuhtmega võib seada pinge alla ka seadme metalldetailid ja põhjustada elektrilöögi.

2.3 Täiendavad ohutusnõuded kruvikeerajate kasutamisel

Inimeste turvalisus

- ▶ Kasutage toodet ainult siis, kui selle tehniline seisukord on veatu.
- ▶ Ärge kunagi muutke ega modifitseerige seadet.
- ▶ Kasutage tarnekomplekti kuuluvaid lisakäepidemeid. Kontrolli kaotus seadme üle võib põhjustada vigastusi.
- ▶ Hoidke seadet ettenähtud käepidemetest mõlema käega. Hoidke käepidemed kuivad ja puhtad.
- ▶ Vältige kokkupuudet seadme pöörlevate osadega - vigastuste oht!



- ▶ Seadme kasutamise ajal kandke sobivaid kaitseprille, kaitsekiivrit, kuulmiskaitsevahendeid, kaitsekindaid ja kerge hingamisteede kaitsemaski.
- ▶ Kandke ka tarviku vahetades kaitsekindaid! Tarviku puudutamine võib tekitada löikehaavu ja põletusi.
- ▶ Kasutage kaitseprille. Materjalist väljalendavad killud võivad tekitada keha- ja silmavigastusi.
- ▶ Enne töö algust tehke kindlaks töötamisel tekkiva tolmu ohuklass. Kasutage ettenähtud kaitseklassi kuuluvat ehitustolmuimejat, mis vastab kehtivatele tolmukaitseõuetele. Pliisistaldusega värvide, teatavat liiki puidu, betooni/müüritise/kvartsisaldusega kivi, mineraalide ja metalli tolm võib kahjustada tervist.
- ▶ Tagage töökohal hea ventilatsioon ja vajaduse korral kandke tekkiva tolmu filtreerimiseks sobivat hingamisteede kaitsemaski. Kokkupuude tolmuga või tolmu sissehingamine võib põhjustada kasutajal või läheduses viibival isikul allergilist reaktsiooni ja/või hingamisteede haigusi. Teatav tolm, nt tamme- või pöögitolm on kantserogeenne, seda eeskätt koosmõjus puidu töötlemise lisaainetega (kromaat, puidukaitsevahendid). Asbesti sisaldavate materjalide töötlemine on lubatud vaid asjaomase kvalifikatsiooniga isikul.
- ▶ Tehke tööpause ja liigutage sõrmi, et parandada nende verevarustust. Pikemaajaliste tööde korral võib vibratsioon tekitada probleeme sõrmede, käte ja randmeliigeste veresoontes ja närvisüsteemis.

Elektriohutus

- ▶ Enne töö algust kontrollige tööpiirkond üle ja veenduge, et seal ei ole varjatud elektrijuhtmeid, gaasi- ega veetorusid. Seadme välised metallisosad võivad elektrijuhtme vigastamise korral tekitada elektrilöögi.

Elektriliste tööriistade hoolikas käsitsemine ja kasutamine

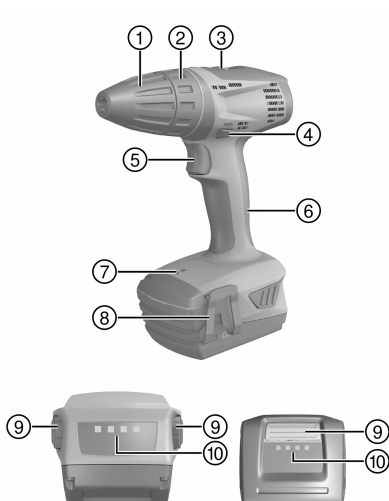
- ▶ Tarviku blokeerumise korral lülitage tööriist kohe välja. Seade võib külgsuunas liikuda.
- ▶ Enne käestpanekut oodake, kuni tööriist on seiskunud.

2.4 Akude hoolikas käsitsemine ja kasutamine

- ▶ Järgige liitiumioonakude veo, ladustamise ja käsitsemise suhtes kehtivaid erinõudeid.
- ▶ Kaitske akusid kõrgete temperatuuride, otsese päikesekiirguse ja tule eest.
- ▶ Akusid ei tohi lahti võtta, muljuda, kuumutada üle 80 °C ega põletada.
- ▶ Ärge kasutage ega laadige akusid, mis on saanud löögi, kukkunud kõrgemalt kui üks meeter või muul viisil vigastada saanud. Võtke sellisel juhul alati ühendust **Hilti hooldekeskusega**.
- ▶ Kui aku on nii kuum, et seda ei saa puudutada, võib aku olla defektnine. Asetage aku tulekindlasse kohta nii, et see jääb süttivatest materjalidest piisavalt kaugele ja et seda saaks jälgida, ning laske akul jahtuda. Võtke sellisel juhul alati ühendust **Hilti hooldekeskusega**.

3 Kirjeldus

3.1 Ülevaade



- 1 Kiirkinnituspadrun
- 2 Pöördemomendi ja puurimise regulaator
- 3 Käigu valiku lüliti
- 4 Reverslüliit koos sisselülitustõkikisega
- 5 Juhtlüliit (pöörete arvu elektroonilise juhtimisega)
- 6 Käepide
- 7 Lamp
- 8 Vööklamber (lisatarvik)
- 9 Vabastusklahvid koos lisafunktsiooniga laetuse astme näidu aktiveerimiseks
- 10 Laetuse astme ja veanäidik (liitiumioonaku)



3.2 Kasutusotstarve

Kirjeldataud toode on käsitsi juhitud akutoitega trellkrivikeeraja. See on ette nähtud krivide keeramiseks terasesse, puitu ja plasti ning nimetatud materjalide puurimiseks.

- ▶ Kasutage selle toote jaoks üksnes **Hilti B 14** ja **B22** tüüpi liitiumioonakusid.
- ▶ Kasutage nende akude laadimiseks üksnes **Hilti C4/36** seeria laadimisseadmeid.

3.3 Aku laetuse astme indikaator

Liitiumioonaku laetuse astet kuvatakse pärast vajutamist lukustusnupule.

| Seisund | Tähendus |
|---------------------|-------------------------------|
| 4 LED-tuld põlevad. | Laetuse aste: 75 % kuni 100 % |
| 3 LED-tuld põlevad. | Laetuse aste: 50 % kuni 75 % |
| 2 LED-tuld põlevad. | Laetuse aste: 25 % kuni 50 % |
| 1 LED-tuli põleb. | Laetuse aste: 10 % kuni 25 % |
| 1 LED vilgub. | Laetuse aste: < 10 % |



Kui juhtlüliti on alla vajutatud, ei ole võimalik laetuse astet teada saada.

3.4 Tarnekomplekt

Trellkrivikeeraja, kasutusjuhend.

- Teised tööriistaga kasutada lubatud süsteemi kuuluvad tooted leiata **Hilti** müügiesindusest või veebilehelt www.hilti.group.

4 Tehnilised andmed

4.1 Tehnilised andmed

| | SFC 14-A | SFC 22-A |
|------------------------------------|----------------------------|----------------------------|
| Nimipinge | 14,4 V | 21,6 V |
| Kaal EPTA-Procedure 01 kohaselt | 1,5 kg | 2,4 kg |
| Pöörete arv 1. käigul | 0 p/min ... 500 p/min | 0 p/min ... 600 p/min |
| Pöörete arv 2. käigul | 0 p/min ... 1 700 p/min | 0 p/min ... 1 800 p/min |
| Pöördemoment (max) | 24 Nm | 28 Nm |
| Pöördemomendi seadistus (15 astet) | 1,5 Nm ... 10 Nm | 1,5 Nm ... 10 Nm |

4.2 Aku

| | |
|---|------------------|
| Aku tööpinge | 14,4 V |
| Ümbritseva keskkonna temperatuur töötamise ajal | -17 °C ... 60 °C |
| Hoiutemperatuur | -20 °C ... 40 °C |
| Aku temperatuur laadimise alguses | -10 °C ... 45 °C |

4.3 Aku

| | |
|---|------------------|
| Aku tööpinge | 21,6 V |
| Ümbritseva keskkonna temperatuur töötamise ajal | -17 °C ... 60 °C |
| Hoiutemperatuur | -20 °C ... 40 °C |
| Aku temperatuur laadimise alguses | -10 °C ... 45 °C |



2073071

4.4 Andmed müra ja vibratsiooni kohta vastavalt standardile EN 60745

Käesolevas kasutusjuhendis toodud helirõhu- ja vibratsioonitase on mõõdetud standarditud mõõtemeetodil ning asjaomaseid näitajaid saab kasutada elektriliste tööriistade võrdlemiseks. Need sobivad ka müra- ja vibratsioonitaseme esialgseks hindamiseks. Toodud näitajad iseloomustavad elektrilise tööriista põhilisi ettenähtud töid. Kui aga elektrilist tööriista kasutatakse muul otstarbel, teiste tarvikutega või kui tööriista on ebapiisavalt hooldatud, võivad näitajad käesolevas juhendis toodud näitajatest kõrvale kalduda. See võib vibratsiooni- ja mürataset töötamise koguperioodil tunduvalt suurendada. Müra- ja vibratsioonitaseme täpseks hindamiseks tuleb arvesse võtta ka aega, mil tööriist oli välja lülitatud või küll sisse lülitatud, kuid tege-likult tööle rakendamata. See võib vibratsiooni- ja mürataset töötamise koguperioodil tunduvalt vähendada. Seadme kasutaja kaitsmiseks müra ja/või vibratsiooni eest rakendage täiendavaid kaitseabinõusid, näiteks: hooldage seadet ja tarvikuid korralikult, hoidke käed soojad, tagage sujuv töökorraldus.

Mürataset

| | SFC 14-A | SFC 22-A |
|--|----------|----------|
| Helirõhutase (L_{pA}) | 69 dB(A) | 69 dB(A) |
| Helirõhutase mõõtemääramatus (K_{pA}) | 3 dB(A) | 3 dB(A) |
| Helivõimsustase | 80 dB(A) | 80 dB(A) |
| Helivõimsustase mõõtemääramatus (K_{WA}) | 3 dB(A) | 3 dB(A) |

Vibratsioonitase

| | SFC 14-A | SFC 22-A |
|--|-----------------------|-----------------------|
| Vibratsioonitase kruvikeeramisel (a_h) | < 2 m/s ² | < 2 m/s ² |
| Mõõtemääramatus kruvikeeramisel (K) | 1,5 m/s ² | 1,5 m/s ² |
| Metalli puurimine (a_{hD}) | 2,67 m/s ² | 2,67 m/s ² |
| Mõõtemääramatus metalli puurimisel (K) | 1,5 m/s ² | 1,5 m/s ² |

5 Töö ettevalmistamine

ETTEVAATUST

Vigastuste oht soovimatu käivitumise tõttu!

- ▶ Enne aku paigaldamist veenduge, et selle juurde kuuluv seade on välja lülitatud.
- ▶ Enne seadme seadistamist ja tarvikute vahetamist eemaldage seadmest aku.

Järgige kasutusjuhendis esitatud ja tootele märgitud ohutusnõudeid ja hoiatusi.

5.1 Aku laadimine

1. Enne laadimist lugege laadimiseadme kasutusjuhendit.
2. Veenduge, et aku ja laadimiseadme kontaktid on puhtad ja kuivad.
3. Laadige akut selleks ettenähtud laadimiseadmega.

5.2 Aku paigaldamine

ETTEVAATUST

Vigastuste oht lühise või allakukkunud aku tõttu!

- ▶ Enne aku paigaldamist veenduge, et aku ja seadme kontaktidel ei ole vöörihasid.
- ▶ Veenduge, et aku fikseerub alati korrektselt kohale.

1. Enne esmakordset kasutamist laadige aku täiesti täis.
2. Asetage aku seadme hoidikusse, nii et fikseerub kuuldavalt kohale.
3. Kontrollige aku kindlat kinnitumist.

5.3 Aku eemaldamine

1. Vajutage aku vabastusnuppudele.
2. Tõmmake aku seadmest välja.



5.4 Vööklambri paigaldamine (soovi korral) 2

HOIATUS

Vigastuste oht! Allakukkuv tööriist võib Teid ja teisi inimesi vigastada.

- ▶ Enne töö algust veenduge, et vööklamber on kindlalt kinnitatud.



Vööklambri abil saate seadme kinnitada vöö külge, nii on see kogu aeg käeulatuses. Vööklambrit saab paigaldada nii vasakule kui ka paremale küljele.

- ▶ Paigaldage vööklamber.

5.5 Tarviku paigaldamine

1. Viige reverslüli keskasendisse või eemaldage seadmest aku.
2. Kontrollige, kas tarviku padrunisse kinnituv ots on puhas. Vajaduse korral puhastage see.
3. Avage kiirkinnituspadrun.
4. Asetage tarki kiirkinnituspadrunisse ja keerake kiirkinnituspadrunit seni, kuni on kuulda mitu mehaanilist klõpsu.
5. Kontrollige tarki kindlat kinnitumist.

6 Käsitsemine

Järgige kasutusjuhendis esitatud ja tootele märgitud ohutusnõudeid ja hoiatusi.

6.1 Käigu valik 3

- ▶ Valige käik.

6.2 Paremale/vasakule käigule seadmine 4



Blokeering takistab lüli kasutamist mootori töötamise ajal. Keskasendis on juhtlüli lukustatud (siselülitustõkis).

- ▶ Seadke reverslüli soovitud pöörlemissuuna asendisse.

6.3 Sisselülitamine

- ▶ Vajutage juhtlülitile.



Olenevalt juhtlüli sissevajutamise sügavusest saab pöörete arvu sujuvalt reguleerida kuni maksimumini.

6.4 Krivikeeramine

1. Pöördemomendi ja töörežiimi regulaatorist reguleerige välja vajalik pöördemoment.
2. Seadke reverslüli soovitud pöörlemissuunale.

6.5 Puurimine

1. Seadke pöördemomendi ja töörežiimi regulaator sümbolile .
2. Seadke reverslüli paremale käigule.

6.6 Väljalülitamine

- ▶ Vabastage juhtlüli.

6.7 Tarviku eemaldamine

1. Viige reverslüli keskasendisse või eemaldage seadmest aku.
2. Avage kiirkinnituspadrun.



3. Tõmmake tarvik kiirinnituspadrunist välja.

7 Hooldus ja korrashoid

HOIATUS

Vigastuste oht paigaldatud aku korral !

- ▶ Enne mis tahes hooldus- ja korrashoiutöid eemaldage seadmest aku!

Seadme hooldamine

- Eemaldage kõvasti kinni olev mustus ettevaatlikult.
- Puhastage ventilatsiooniasiad ettevaatlikult kuiva harjaga.
- Puhastage korpust kergelt niiske lapiga. Ärge kasutage silikooni sisaldavaid hooldusvahendeid, sest need võivad kahjustada seadme plastdetaile.

Liitiumioonakude hooldus

- Hoidke aku puhas ja vaba õlist ja rasvast.
- Puhastage korpust kergelt niiske lapiga. Ärge kasutage silikooni sisaldavaid hooldusvahendeid, sest need võivad kahjustada seadme plastdetaile.
- Vältige vedeliku sissetungimist.

Korrashoid

- Kontrollige regulaarselt, kas kõik nähtavad osad on terved ja kas juhtelemendid toimivad veatult.
- Kahjustuste ja/või tõrgete korral ei tohi seadet kasutada. Laske tööriist kohe **Hilti** hooldekeskuses parandada.
- Pärast hooldus- ja korrashoiutöid paigaldage kõik kaitseseadised ja kontrollige nende toimivust.



Tööohutuse tagamiseks kasutage ainult originaalvaruosi ja -materjale. Teie tootega sobivaid ja meie poolt heakskiidetud varuosad, materjalid ja tarvikud leiate kauplusest **Hilti Store** või veebilehelt: www.hilti.group.

8 Akutööriistade transport ja ladustamine

Transport

ETTEVAATUST

Soovimatu käivitumine transportimisel !

- ▶ Transportige tooteid ilma akudeta!
- ▶ Eemaldage akud.
- ▶ Ärge kunagi transportige akusid lahtiselt.
- ▶ Pärast pikemat transporti kontrollige, kas tööriist või akud on saanud vigastusi.

Ladustamine

ETTEVAATUST

Defektsed akud või lekkivad akud võivad tekitada vigastusi !

- ▶ Kasutusvälisel ajal eemaldage seadmest aku!
- ▶ Hoidke seadet ja akusid võimalikult jahedas ja kuivas kohas.
- ▶ Ärge hoidke akusid kunagi päikese käes, küttekeha peal ega aknalaual.
- ▶ Hoidke seadet ja akusid lastele ja kõrvalistele isikutele ligipääsmatus kohas.
- ▶ Pärast pikemaajalist ladustamist kontrollige, kas tööriist või akud on saanud vigastusi.

9 Tegutsemine tõrgete korral

9.1 Abi tõrgete puhul

Kui peaks esinema tõrge, mida ei ole järgmises tabelis nimetatud või mida Te ei suuda ise kõrvaldada, pöörduge **Hilti** hooldekeskusse.

| Tõrge | Võimalik põhjus | Lahendus |
|-----------------|-------------------------------------|---|
| Seade ei tööta. | Aku ei ole täielikult sisse pandud. | ▶ Laske akul kuuldava topeltklõpsuga kohale fikseeruda. |



| Tõrge | Võimalik põhjus | Lahendus |
|--|--|--|
| Seade ei tööta. | Aku on tühi. | ▶ Vahetage aku välja ja laadige tühi aku täis. |
| | Elektriline rike. | ▶ Eemaldage seadmest aku ja pöörduge Hilti hooldekeskusse. |
| Seade ei tööta ja üks LED-tuli vilgub. | Aku on tühi. | ▶ Vahetage aku välja ja laadige tühi aku täis. |
| | Aku on liiga kuum või liiga külm. | ▶ Laske akul soojeneda/jahtuda soovituslikule töötemperatuurile. |
| Lülitit (sisse/välja) ei saa sisse vajutada / lülitit (sisse/välja) on kinni kiilunud. | Reverslülitit on keskasendis. | ▶ Viige reverslülitit vasakule või paremale. |
| LED 1 vilgub | Aku on tühi. | ▶ Vahetage aku välja ja laadige tühi aku täis. |
| | Seade on üle koormatud (seadme jõudluspiirid on ületatud). | ▶ Enne mis tahes tööde tegemist lähtuge pöörake tähelepanu seadme võimsusele. Vt Tehnilised andmed. |
| Aku tühjeneb tavalisest kiiremini. | Ümbritseva keskkonna väga madal temperatuur. | ▶ Laske akul aeglaselt ruumitemperatuurile soojeneda. |
| Aku ei fikseeru kuuldava topeltklõpsuga kohale. | Aku lukustusmehhanism on määratud. | ▶ Puhastage fiksaatorinad ja laske akul kohale fikseeruda. Kui probleem ei kao, võtke ühendust Hilti hooldekeskusega. |

10 Utiliseerimine

Hilti seadmed on suures osas valmistatud taaskasutatavatest materjalidest. Taaskasutuse eelduseks on materjalide korralik sorteerimine. Paljudes riikides kogub **Hilti** kasutusressursi ammendanud seadmed kokku. Lisateavet saate **Hilti** müügiesindusest.

Akude utiliseerimine

Asjatundmatu käitlemise korral võib akudest eralduda terviseohtlikke gaase või vedelikke.

- ▶ Ärge saatke kahjustada saanud akusid posti teel!
- ▶ Lühise vältimiseks katke akukontaktid elektrit mittejuhtiva materjaliga.
- ▶ Käidelge akusid nii, et need ei satu laste kätte.
- ▶ Utiliseerige aku **Hilti Store** esinduses või pöörduge asjaomase jäätmekäitlusettevõtte poole.



- ▶ Ärge visake kasutusressursi ammendanud elektrilisi tööriistu, elektroonikaseadmeid ja akusid olmejäätmete hulka!

11 China RoHS (direktiiv ohtlike ainete kasutamise piirangute kohta)

Ohtlike ainete tabeli leiata järgmistest linkidest alt: qr.hilti.com/r4793 (SFC 14-A) ja qr.hilti.com/r4833 (SFC 22-A). RoHS-tabeli juurde viiva lingi leiata käesoleva dokumendi lõpust QR-koodina.

12 Tootja garantii

- ▶ Kui Teil on küsimusi garantiitingimuste kohta, pöörduge **Hilti** müügiesindusse.



2073071

Eesti

67

Originālā lietošanas instrukcija

1 Informācija par dokumentāciju

1.1 Par šo dokumentāciju

- Pirms ekspluatācijas sākšanas obligāti izlasiet šo dokumentāciju. Tas ir priekšnoteikums darba drošībai un izstrādājuma lietošanai bez traucējumiem.
- Ievērojiet drošības norādījumus un brīdinājumus, kas atrodami šajā dokumentācijā un uz izstrādājuma.
- Vienmēr glabājiet lietošanas instrukciju izstrādājuma tuvumā un nododiet to kopā ar izstrādājumu, ja tas tiek nodots citām personām.

1.2 Apzīmējumu skaidrojums

1.2.1 Brīdinājumi

Brīdinājumi pievērš uzmanību bīstamībai, kas pastāv, strādājot ar izstrādājumu. Tiek lietoti šādi signālvārdi:

BĪSTAMI!

BĪSTAMI! !

- ▶ Pievērš uzmanību draudošām briesmām, kas var izraisīt smagus miesas bojājumus vai nāvi.

BRĪDINĀJUMS!

BRĪDINĀJUMS! !

- ▶ Pievērš uzmanību iespējamam apdraudējumam, kas var izraisīt smagas traumas vai pat nāvi.

IEVĒROT PIESARDZĪBU!

UZMANĪBU! !

- ▶ Norāda uz iespējami bīstamām situācijām, kas var izraisīt vieglas traumas vai materiālos zaudējumus.

1.2.2 Dokumentācijā lietotie simboli

Šajā dokumentācijā tiek lietoti šādi simboli:

| | |
|--|---|
| | Pirms lietošanas izlasiet instrukciju |
| | Norādījumi par lietošanu un cita noderīga informācija |
| | Rīcība ar otrreiz pārstrādājamiem materiāliem |
| | Neizmetiet elektroiekārtas un akumulatorus sadzīves atkritumos. |

1.2.3 Attēlos lietotie simboli

Attēlos tiek lietoti šādi simboli:

| | |
|---|--|
| | Šie skaitļi norāda uz attiecīgajiem attēliem, kas atrodami šīs instrukcijas sākumā. |
| 3 | Numerācija attēlos atbilst veicamo darbību secībai un var atšķirties no darbību apraksta tekstā. |
| | Pozīciju numuri tiek lietoti attēlā Pārskats un norāda uz leģendas numuriem sadaļā Izstrādājuma pārskats . |
| | Šī simbola uzdevums ir pievērst īpašu uzmanību izstrādājuma lietošanas laikā. |

1.3 Simboli atkarībā no izstrādājuma

1.3.1 Simboli uz izstrādājuma

Uz izstrādājuma tiek lietoti šādi simboli:



| | |
|--------|--|
| | Urbšana bez triecienu funkcijas |
| /min | Apgriezienu skaits minūtē |
| n_0 | Nominālais apgriezienu skaits tukšgaitā |
| | Līdzstrāva |
| Li-Ion | Litija jonu akumulators |
| | Lietojamā Hilti litija jonu akumulatoru sērija. Ņemiet vērā informāciju, kas iekļauta nodaļā Nosacījumiem atbilstīga lietošana . |
| | Izstrādājums atbalsta bezvadu datu pānesi, kas ir saderīga ar iOS un Android platformām. |
| | Nekādā gadījumā nelietojiet akumulatoru kā triecienuinstrumentu. |
| | Sargājiet akumulatoru no kritieniem. Nelietojiet akumulatoru, ja tas ir bijis pakļauts triecienam vai tam ir radušies cita veida bojājumi. |

1.4 Izstrādājuma informācija

HILTI izstrādājumi ir paredzēti profesionāliem lietotājiem, un to darbināšanu, apkopi un tehniskā stāvokļa uzturēšanu drīkst veikt tikai kvalificēts, atbilstīgi apmācīts personāls. Personālam ir jābūt labi informētam par iespējamajiem riskiem, kas var rasties darba laikā. Izstrādājums un tā papildaprīkojums var radīt bīstamas situācijas, ja to uztic neprofesionālam personālam vai nelieto atbilstīgi nosacījumiem.

Iekārtas tipa apzīmējums un sērijas numurs ir norādīti uz identifikācijas datu plāksnītes.

- ▶ Ierakstiet sērijas numuru zemāk redzamajā tabulā. Izstrādājuma dati jānorāda, vēršoties mūsu pārstāvniecībā vai servisā.

Izstrādājuma dati → Lappuse 69

Izstrādājuma dati

| | |
|---|----------------------|
| Ar akumulatoru darbināma skrūvēšanas urbmašīna: | SFC 22-A SFC 14-A |
| Paaudze: | 01 |
| Sērijas Nr.: | |

1.5 Atbilstības deklarācija

Uzņemoties pilnu atbildību, mēs apliecinām, ka šeit aprakstītais izstrādājums atbilst šādām direktīvām un standartiem: Atbilstības deklarācijas attēls ir atrodams šīs dokumentācijas beigās.

Tehniskā dokumentācija ir saglabāta šeit:

Hilti Entwicklungsgesellschaft mbH | Zulassung Geräte | Hiltistraße 6 | 86916 Kaufering, DE

2 Drošība

2.1 Vispārīgi drošības norādījumi par darbu ar elektroiekārtām

⚠ BRĪDINĀJUMS! Izlasiet visus drošības norādījumus un instrukcijas. Šeit izklāstīto drošības norādījumu un instrukciju neievērošana var izraisīt elektrošoku, ugunsgrēku un/vai nopietnas traumas.

Saglabājiet visus drošības norādījumus un instrukcijas turpmākai lietošanai.

Drošība darba vietā

- ▶ **Uzturiet darba vietā tīrību un kārtību un nodrošiniet labu apgaismojumu.** Nekārtīgā darba vietā vai sliktā apgaismojumā var viegli notikt nelaimes gadījums.
- ▶ **Nestrādājiet ar elektroiekārtu sprādzienbīstamā vidē, kur atrodas uzliesmojoši šķidrumi, gāzes vai putekļi.** Darbības laikā elektroiekārtas mēdz dzirkstēļot, un tas var izraisīt viegli degošu putekļu vai tvaiku aizdegšanos.
- ▶ **Lietojot elektroiekārtu, neļaujiet nepederošām personām un jo īpaši bērniem tuvoties darba vietai.** Citu personu klātbūtne var novērst uzmanību, un tā rezultātā jūs varat zaudēt kontroli pār iekārtu.



2073071

Latviešu

69

Elektrodrošība

- ▶ **Darba laikā nepieskarieties sazemētiem priekšmetiem, piemēram, caurulēm, radiatoriem, plītiem un ledusskapjiem.** Pieskaroties sazemētām virsmām, pieaug risks saņemt elektrisko triecienu.
- ▶ **Nelietojiet elektroiekārtu lietus laikā, neturiet to mitrumā.** Mitrumam iekļūstot elektroiekārtā, pieaug risks saņemt elektrisko triecienu.

Personiskā drošība

- ▶ **Strādājot ar elektroiekārtu, esiet uzmanīgi, pievērsiet uzmanību tam, ko jūs darāt un rīkojieties saprātīgi.** Ar elektroiekārtu nedrīkst strādāt personas, kas ir nogurušas vai atrodas narkotiku, alkohola vai medikamentu ietekmē. Mirklis neuzmanības darbā ar elektroiekārtu var novest pie nopietnām traumām.
- ▶ **Izmantojiet individuālos aizsardzības līdzekļus un darba laikā vienmēr nēsājiet aizsargbrilles.** Individuālo aizsardzības līdzekļu (putekļu aizsargmaskas, neslidošu apavu un aizsargķiveres vai ausu aizsargu) lietošana atbilstoši elektroiekārtas tipam un veicamā darba raksturam ļauj izvairīties no savainojumiem.
- ▶ **Nepieļaujiet iekārtas nekontrolētas ieslēgšanās iespēju.** Pirms akumulatora pievienošanas, elektroiekārtas satvēršanas vai pārvietošanas pārlicinieties, ka tā ir izslēgta. Ja iekārtas pārvietošanas laikā pirksts atrodas uz slēdža vai ja ieslēgta iekārta tiek pievienota elektroīkai, var notikt nelaimes gadījums.
- ▶ **Pirms elektroiekārtas ieslēgšanas jānoņem visi regulēšanas piederumi un uzgriežņu atslēgas.** Regulēšanas piederumi vai uzgriežņu atslēga, kas iekārtas ieslēgšanas brīdī atrodas iekārtā, var radīt traumas.
- ▶ **Izvairieties no nedabiskām pozām.** Darba laikā vienmēr saglabājiet līdzsvaru un nodrošinieties pret paslidēšanu. Tas atvieglos elektroiekārtas vadību neparedzētās situācijās.
- ▶ **Izvēlieties darbam piemērotu apģērbu.** Darba laikā nenēsājiet brīvi plandošas drēbes un rotaslietas. Netuviniet matus, apģērbu un aizsargcimdus iekārtas kustīgajām daļām. Vaļīgas drēbes, rotaslietas un garī mati var ieķerties iekārtas kustīgajās daļās.
- ▶ **Ja elektroiekārtas konstrukcija ļauj pievienot putekļu nosūkšanas vai savākšanas ierīci, sekojiet, lai tā būtu pievienota un tiktu darbināta pareizi.** Putekļu nosūcēja lietošana samazina putekļu kaitīgo ietekmi.

Elektroiekārtas lietošana un apkope

- ▶ **Nepārslodojiet elektroiekārtu.** Katram darbam izvēlieties piemērotu iekārtu. Elektroiekārta darbosies labāk un drošāk pie nominālās slodzes.
- ▶ **Nelietojiet elektroiekārtu, ja ir bojāts tās slēdzis.** Elektroiekārta, ko nevar ieslēgt un izslēgt, ir bīstama un nekavējoties jānodod remontā.
- ▶ **Izņemiet no iekārtas akumulatoru, pirms iestatījumu veikšanas, aprikojuma daļu nomainīšanas vai iekārtas novietošanas glabāšanā.** Šādi jūs novērsīsiet elektroiekārtas nejaušas ieslēgšanās risku.
- ▶ **Elektroiekārtu, kas netiek darbināta, uzglabājiet piemērotā vietā.** Neļaujiet lietot iekārtu personām, kas nav iepazinušas ar tās funkcijām un izlasījušas šo lietošanas instrukciju. Ja elektroiekārtu lieto nekompetentas personas, tas var apdraudēt cilvēku veselību.
- ▶ **Rūpīgi veiciet elektroiekārtu apkopi.** Pārbaudiet, vai kustīgās daļas darbojas bez traucējumiem un neķeras un vai kāda no daļām nav salauzta vai bojāta un tādējādi netraucē elektroiekārtas nevainojamu darbību. Raugieties, lai pirms iekārtas lietošanas tiktu nomainītas vai saremontētas bojātās daļas. Daudzi nelaimes gadījumi notiek tāpēc, ka elektroiekārtām nav nodrošināta pareiza apkope.
- ▶ **Griezējinstrumentiem vienmēr jābūt uzasinātiem un tīriem.** Rūpīgi kopti griezējinstrumenti ar asām šķautnēm retāk iestrēgst un ir vieglāk vadāmi.
- ▶ **Lietojiet elektroiekārtu, piederumus, maināmos instrumentus utt. saskaņā ar šiem norādījumiem.** Jāņem vērā arī konkrētie darba apstākļi un veicamās operācijas īpatnības. Elektroiekārtu lietošana citiem mērķiem, nekā to ir paredzējis ražotājs, ir bīstama un var izraisīt neparedzamas sekas.

Ar akumulatoru darbināmas iekārtas lietošana un apkope

- ▶ **Akumulatora uzlādei jālieto tikai ražotāja ieteiktie lādētāji.** Noteikta veida akumulatoriem paredzēts lādētājs kļūst ugunsbīstams, ja to izmanto ar cita veida akumulatoriem.
- ▶ **Izmantojiet elektroiekārtas barošanai tikai tai paredzētos akumulatorus.** Cita tipa akumulatoru lietošana var izraisīt iekārtas un/vai akumulatora aizdegšanos.
- ▶ **Laikā, kad akumulators ir atvienots no iekārtas, nepieļaujiet tā kontaktu saskāršanos ar saspaudēm, monētām, atslēgām, naglām, skrūvēm vai citiem nelieliem metāla priekšmetiem, kas varētu izraisīt issavienojumu.** Ja starp akumulatora kontaktiem rodas issavienojums, tas var sadegt vai kļūt par ugunsgrēka cēloni.
- ▶ **Nepareizi lietojot akumulatoru, no tā var izplūst šķidrums.** Nepieļaujiet tā nokļūšanu uz ādas. No akumulatora izplūdušais šķidrums var izraisīt ādas kairinājumu vai pat apdegumus. Ja tas tomēr nejausī



ir noticis, noskalojiet ar ūdeni. Ja šķidrums iekļūst acīs, izskalojiet acis un nekavējoties griezieties pie ārsta.

Serviss

- ▶ **Uzdodiet elektroiekārtas remontu veikt tikai kvalificētam personālam, kas izmanto vienīgi oriģinālās rezerves daļas.** Tikai tā ir iespējams saglabāt elektroiekārtas funkcionālo drošību.

2.2 Drošības norādījumi darbam ar urbjašīnām

- ▶ **Lietojiet kopā ar iekārtu piegādātos papildu rokturus.** Kontroles zudums var kļūt par cēloni traumām.
- ▶ **Ja darba laikā pastāv iespēja, ka instruments var nonākt saskarē ar apslēptiem elektriskajiem vadiem, vienmēr satveriet iekārtu aiz izolētajām rokturu virsmām.** Saskaroties ar spriegumam pieslēgtiem vadiem, spriegums tiek novadīts uz iekārtas metāla daļām, radot elektrošoka risku.

2.3 Papildu drošības norādījumi par skrūvēšanas iekārtu

Personīgā drošība

- ▶ Lietojiet izstrādājumu tikai tad, ja tas ir tehniski nevainojamā stāvoklī.
- ▶ Nekādā gadījumā nemēģiniet ietekmēt iekārtas funkcijas vai to pārveidot.
- ▶ Lietojiet kopā ar iekārtu piegādātos papildu rokturus. Kontroles zudums var kļūt par cēloni traumām.
- ▶ Vienmēr turiet iekārtu ar abām rokām aiz tam paredzētajiem rokturiem. Raugieties, lai rokturi vienmēr būtu sausi un tīri.
- ▶ Izvairieties no saskares ar rotējošām daļām. Trauma risks!
- ▶ Iekārtas lietošanas laikā valkājiet piemērotas aizsargbrilles, aizsargķiveri, ausu aizsargus, kā arī vieglu elpceļu aizsardzības aprīkojumu.
- ▶ Arī instrumenta maiņas laikā valkājiet aizsargcimdus. Saskare ar maināmo instrumentu var izraisīt grieztas traumas un apdegumus.
- ▶ Valkājiet aizsargbrilles vai masku. Materiāla šķembas var savainot ķermeni un acis.
- ▶ Pirms darba sākšanas noskaidrojiet darba laikā radušos putekļu bīstamības kategoriju. Lietojiet celtniecības putekļsūcēju ar oficiālas sertifikācijas ietvaros piešķirtu drošības klasifikāciju, kas atbilst vietējiem putekļu ietekmes ierobežošanas normatīviem. Putekļi, ko rada tādi materiāli kā, piemēram, svīnu saturoša krāsa, daži koksnes veidi, betons / mūrīs / kvarcu saturoši akmeņi, minerāli un metāls, var būt kaitīgi veselībai.
- ▶ Nodrošiniet darba vietā labu ventilāciju un, ja nepieciešams, valkājiet elpceļu aizsargmasku, kas aizsargā pret attiecīgā veida putekļiem. Saskare ar šiem putekļiem vai to ieelpošana var izraisīt lietotāja vai citu tuvumā esošu personu alerģiskas reakcijas un/vai elpceļu saslimšanas. Noteikti putekļu veidi, piemēram, ozola un skābarža koksnes putekļi, tiek uzskatīti par kancerogēniem – sevišķi kopā ar kokapstrādē izmantotajām vielām (hromātiem, koksnes aizsarglīdzekļiem). Azbestu saturošus materiālus drīkst apstrādāt tikai kompetenti speciālisti.
- ▶ Darba pārtraukumos veiciet pirkstu vingrinājumus, kas uzlabo asinsriti. Ilgstoša darba gadījumā vibrācija var radīt traucējumus pirkstu, roku vai plaukstu locītavu asinsvadu un nervu sistēmas funkcijās.

Elektrodrošība

- ▶ Pirms darba sākšanas pārbaudiet, vai darba zonā neatrodas neseģti elektrības vadi, gāzes vai ūdensapgādes caurules. Nejauši sabojājot zem sprieguma esošus vadus, iekārtas ārējās metāla daļas var izraisīt elektrošoku.

Rūpīga elektroiekārtu lietošana un apkope

- ▶ Nekavējoties izslēdziet elektroiekārtu, ja nobloķējas instruments. Iekārta var tikt novirzīta uz sāniem.
- ▶ Nekad nenolieciet elektroiekārtu, kamēr nav pilnībā apstājusies tajā nostiprinātā instrumenta kustība.

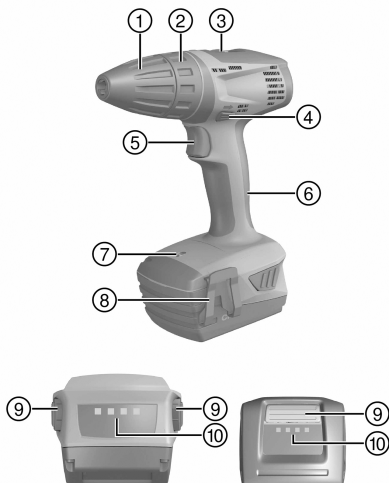
2.4 Akumulatoru pareiza lietošana un apkope

- ▶ Ievērojiet īpašos norādījumus par litija jonu akumulatoru transportēšanu, uzglabāšanu un ekspluatāciju.
- ▶ Sargājiet akumulatorus no augstas temperatūras, tiešiem saules stariem un uguns.
- ▶ Akumulatorus nedrīkst izjaukt, saspiest, sakarsēt virs 80 °C vai sadedzināt.
- ▶ Nemēģiniet izmantot vai uzlādēt akumulatorus, kas bijuši pakļauti triecienam, krituši no vairāk nekā viena metra augstuma vai ir citā veidā bojāti. Šādā gadījumā vienmēr vērsieties savā **Hilti servisā**.
- ▶ Ja akumulators kļūst pārāk karsts, iespējams, ka tas ir bojāts. Novietojiet iekārtu pietiekamā attālumā no degošiem materiāliem, vietā, kur nevar notikt aizdegšanās un kur to iespējams pastāvīgi novērot, un ļaujiet tai atdzist. Šādā gadījumā vienmēr vērsieties savā **Hilti servisā**.



3 Apraksts

3.1 Pārskats



- ① Ātrās fiksācijas patrona
- ② Griezes momenta un urbšanas iestatīšanas gredzens
- ③ Divu pārnēsumu pārslēdzējs
- ④ Labā / kreisā rotācijas virziena pārslēdzējs ar ieslēgšanas bloķēšanu
- ⑤ Vadības slēdzis (ar elektronisku rotācijas ātruma regulatoru)
- ⑥ Rokturis
- ⑦ Lampa
- ⑧ Jostas āķis (opcija)
- ⑨ Atbloķēšanas taustiņš ar papildu funkciju - uzlādes līmeņa indikācijas aktivēšanu
- ⑩ Uzlādes līmeņa un traucējumu indikācija (litija jonu akumulatoram)

3.2 Nosacījumiem atbilstīga lietošana

Aprakstītais izstrādājums ir manuāli vadāma, ar akumulatoru darbināma urbmašīna / skrūvēšanas iekārta. Tā ir paredzēta skrūvju ieskrūvēšanai un izskrūvēšanai, kā arī urbšanai metālā, kokā un plastmasā.

- ▶ Lietojiet kopā ar šo izstrādājumu tikai sērijas B14 un B22 **Hilti** litija jonu akumulatorus.
- ▶ Lietojiet šo akumulatoru uzlādēšanai tikai sērijas C4/36 **Hilti** lādētājus.

3.3 Uzlādes statusa indikācija

Litija jonu akumulatora uzlādes statusu iespējams apskatīties, īsi nospiežot atbloķēšanas taustiņu.

| Statuss | Nozīme |
|--------------|-------------------------------------|
| 4 LED deg. | Uzlādes statuss: no 75 % līdz 100 % |
| 3 LED deg. | Uzlādes statuss: 50 % līdz 75 % |
| 2 LED deg. | Uzlādes statuss: 25 % līdz 50 % |
| 1 LED deg. | Uzlādes statuss: no 10 % līdz 25 % |
| 1 LED mirgo. | Uzlādes statuss: < 10 % |



Pēc vadības slēdža nospiešanas uzlādes statuss vairs netiek parādīts.

3.4 Piegādes komplektācija

Urbmašīna / skrūvēšanas iekārta, lietošanas instrukcija.

- Citus šim izstrādājumam izmantojamus sistēmas produktus meklējiet **Hilti** servisa centrā vai tīmekļvietnē www.hilti.group.



4 Tehniskie parametri

4.1 Tehniskie parametri

| | SFC 14-A | SFC 22-A |
|---|------------------------------------|------------------------------------|
| Nominālais spriegums | 14,4 V | 21,6 V |
| Svars saskaņā ar EPTA procedūru 01 | 1,5 kg | 2,4 kg |
| Rotācijas ātrums 1. pārsesumam | 0 apgr./min ... 500 apgr./min | 0 apgr./min ... 600 apgr./min |
| Rotācijas ātrums 2. pārsesumam | 0 apgr./min ... 1 700 apgr./min | 0 apgr./min ... 1 800 apgr./min |
| Griezes moments (maks.) | 24 Nm | 28 Nm |
| Griezes momenta noregulēšana (15 pakāpes) | 1,5 Nm ... 10 Nm | 1,5 Nm ... 10 Nm |

4.2 Akumulators

| | |
|--|------------------|
| Akumulatora darba spriegums | 14,4 V |
| Apkārtējā temperatūra darbības laikā | -17 °C ... 60 °C |
| Uzglabāšanas temperatūra | -20 °C ... 40 °C |
| Akumulatora temperatūra uzlādes sākumā | -10 °C ... 45 °C |

4.3 Akumulators

| | |
|--|------------------|
| Akumulatora darba spriegums | 21,6 V |
| Apkārtējā temperatūra darbības laikā | -17 °C ... 60 °C |
| Uzglabāšanas temperatūra | -20 °C ... 40 °C |
| Akumulatora temperatūra uzlādes sākumā | -10 °C ... 45 °C |

4.4 Informācija par troksni un vibrāciju saskaņā ar EN 60745

Šajās instrukcijās norādītie lielumi, kas raksturo skaņas spiedienu un vibrāciju, ir noteikti ar standartizētas mērījumu metodes palīdzību, un tos var izmantot elektroiekārtu savstarpējai salīdzināšanai. Tos var izmantot arī trokšņa un vibrācijas iedarbības pagaidu novērtējumam. Norādītie parametri attiecas uz elektroiekārtas galvenajiem lietošanas veidiem. Taču, ja elektroiekārta tiek izmantota citos nolūkos, ar citiem maināmajiem instrumentiem vai netiek nodrošināta pietiekama tās apkope, parametri var atšķirties no norādītajiem. Tas var ievērojami palielināt trokšņa un vibrācijas iedarbību visā darba laikā. Lai precīzi novērtētu iedarbību, jāņem vērā arī laiks, cik ilgi iekārta ir izslēgta vai ir ieslēgta, taču faktiski netiek darbināta. Tas var būtiski samazināt iedarbību kopējā darba laikā. Jāparedz papildu drošības pasākumi, lai aizsargātu iekārtas lietotāju pret trokšņa un/vai vibrācijas iedarbību, piemēram, elektroiekārtas un maināmo instrumentu apkope, roku turēšana siltumā, darba procesu organizācija.

Skaņas emisijas rādītāji

| | SFC 14-A | SFC 22-A |
|--|----------|----------|
| Skaņas spiediena līmenis (L_{pA}) | 69 dB(A) | 69 dB(A) |
| Skaņas spiediena līmeņa pielāde (K_{pA}) | 3 dB(A) | 3 dB(A) |
| Skaņas jaudas līmenis | 80 dB(A) | 80 dB(A) |
| Skaņas jaudas līmeņa pielāde (K_{WA}) | 3 dB(A) | 3 dB(A) |

Kopējie vibrācijas rādītāji

| | SFC 14-A | SFC 22-A |
|--|-----------------------|-----------------------|
| Svārstību emisijas rādītāji skrūvēšanai (a_{h1}) | < 2 m/s ² | < 2 m/s ² |
| Skrūvju pielāde (K) | 1,5 m/s ² | 1,5 m/s ² |
| Urbšana metālā (a_{hD}) | 2,67 m/s ² | 2,67 m/s ² |
| Pielāde urbšanai metālā (K) | 1,5 m/s ² | 1,5 m/s ² |



5 Sagatavošanās darbam

IEVĒROT PIESARDZĪBU!

Traumu risks nejaušas iedarbošanās gadījumā!

- ▶ Pirms akumulatora ievietošanas pārlicinieties, ka attiecīgais izstrādājums ir izslēgts.
- ▶ Pirms iekārtas iestatīšanas vai piederumu nomaiņas izņemiet no iekārtas akumulatoru.

Ievērojiet drošības norādījumus un brīdinājumus, kas atrodami šajā dokumentācijā un uz izstrādājuma.

5.1 Akumulatora uzlādēšana

1. Pirms uzlādes sākšanas izlasiet lādētāja lietošanas instrukciju.
2. Raugieties, lai akumulatora un lādētāja kontaktu virsmas ir tīras un sausas.
3. Veiciet akumulatora uzlādi atbilstīgā lādētājā.

5.2 Akumulatora ievietošana

IEVĒROT PIESARDZĪBU!

Traumu risks īssavienojuma vai akumulatora nokrišanas gadījumā!

- ▶ Pirms akumulatora ievietošanas pārlicinieties, ka uz akumulatora un izstrādājuma kontaktiem neatrodas nekādi svešķermeņi.
 - ▶ Pārbaudiet, vai akumulators ir droši nofiksēts.
1. Pirms pirmās lietošanas pilnībā uzlādējiet akumulatoru.
 2. Ievietojiet akumulatoru iekārtas stiprinājumā, līdz tas dzirdami nofiksējas.
 3. Pārbaudiet, vai akumulators ir droši nofiksēts.

5.3 Akumulatora izņemšana


1. Nospiediet akumulatora atbloķēšanas taustiņus.
2. Izvelciet akumulatoru no iekārtas.

5.4 Jostas āķa montāža (opcija)

BRĪDINĀJUMS!

Traumu risks. Iekārtas nokrišana var apdraudēt tās lietotāju un apkārtējos.

- ▶ Pirms darba uzsākšanas pārbaudiet, vai jostas āķis ir kārtīgi nofiksēts.

 Ar jostas āķa palīdzību jūs varat nostiprināt iekārtu pie jostas tā, lai tā piekļautos ķermenim. Jostas āķi iespējams piemontēt nēsāšanai labajā un kreisajā pusē.

- ▶ Piemontējiet jostas āķi.

5.5 Maināmā instrumenta ievietošana

1. Pārslēdziet labā / kreisā rotācijas virziena pārslēdzēju vidējā pozīcijā vai atvienojiet no iekārtas akumulatoru.
2. Pārbaudiet, vai maināmā instrumenta nofiksējamais gals ir tīrs. Vajadzības gadījumā instrumenta nostiprināmais gals jānotīra.
3. Atveriet ātrās fiksācijas patronu.
4. Iebīdīet maināmo instrumentu ātrās fiksācijas patronā un pagrieziet ātrās fiksācijas patronu, līdz ir sadzirdams vairākkārtējs mehāniskais klikšķis.
5. Pārbaudiet maināmā instrumenta fiksāciju.

6 Lietošana

Ievērojiet drošības norādījumus un brīdinājumus, kas atrodami šajā dokumentācijā un uz izstrādājuma.



6.1 Pārnesuma izvēle

- Izvēlieties pārnesumu.

6.2 Labā / kreisā rotācijas virziena pārslēgšana

Iekšējās aizsardzības mehānisms nepieļauj iespēju pārslēgt rotācijas virzienu motora darbības laikā. Vidējā pozīcijā ir bloķēts vadības slēdzis (ieslēgšanas bloķēšana).

- Iestatiet labā / kreisā rotācijas virziena pārslēdzēju atbilstīgi nepieciešamajam rotācijas virzienam.

6.3 Ieslēgšana

- Nospiediet vadības slēdzi.

Atkarībā no vadības slēdža iespēšanas dziļuma apgriezīnu skaitu var bez fiksētām pakāpēm iestatīt diapazonā līdz maksimālajam apgriezīnu skaitam.

6.4 Skrūvēšana

1. Ar griezes momenta un funkciju iestatīšanas gredzenu iestatiet nepieciešamo griezes momentu.
2. Iestatiet labā / kreisā rotācijas virziena pārslēdzēju uz nepieciešamo rotācijas virzienu.

6.5 Urbšana

1. Pagrieziet griezes momenta un funkciju iestatīšanas gredzenu pret simbolu .
2. Iestatiet labā / kreisā rotācijas virziena pārslēdzēju uz labo rotācijas virzienu.

6.6 Izslēgšana

- Atlaidiet vadības slēdzi.

6.7 Maināmā instrumenta izņemšana

1. Pārslēdziet labā / kreisā rotācijas virziena pārslēdzēju vidējā pozīcijā vai atvienojiet no iekārtas akumulatoru.
2. Atveriet ātrās fiksācijas patronu.
3. Izvelciet maināmo instrumentu no ātrās fiksācijas patronas.

7 Apkope un uzturēšana

BRĪDINĀJUMS!

Traumu risks ievietota akumulatora gadījumā !

- Pirms jebkādiem apkopes un tehniskā stāvokļa uzturēšanas darbiem vienmēr izņemiet akumulatoru!

Iekārtas apkope

- Uzmanīgi notīriet pielīpušos netīrumus.
- Uzmanīgi iztīriet ventilācijas atveres ar sausu birstīti.
- Korpusa tīrīšanai jālieto tikai neredzams samitrināta drāniņa. Nedrīkst lietot silikonu saturošus kopšanas līdzekļus, kas var sabojāt plastmasas daļas.

Litija jonu akumulatoru apkope

- Raugieties, lai akumulators ir tīrs un nebūtu savārtīts ar eļļu un smērvielām.
- Korpusa tīrīšanai jālieto tikai neredzams samitrināta drāniņa. Nedrīkst lietot silikonu saturošus kopšanas līdzekļus, kas var sabojāt plastmasas daļas.
- Nepieļaujiet mitruma iekļūšanu.

Uzturēšana

- Regulāri pārbaudiet visas redzamās daļas, lai pārliecinātos, ka tās nav bojātas un funkcionē nevainojami.
- Bojājumu un/vai funkciju traucējumu gadījumā izstrādājumu nedrīkst lietot. Tas nekavējoties jānodod **Hilti**, lai veiktu remontu.



2073071

Latviešu

75

- Pēc apkopes un remonta darbiem visas aizsargierīces jāpieņemtē vietā un jāpārbauda, vai tās darbojas.



Lai iekārtas lietošana būtu droša, izmantojiet tikai oriģinālās rezerves daļas un patēriņa materiālus. Rezerves daļas un patēriņa materiālus, kuru lietošanu kopā ar šo iekārtu mēs akceptējam, var atrast **Hilti Store** vai tīmekļvietnē www.hilti.group.

8 Ar akumulatoru darbināmo iekārtu transportēšana un uzglabāšana

Transportēšana

IEVĒROT PIESARDZĪBU!

Nekontrolēta iedarbošanās transportēšanas laikā !

- ▶ Pirms iekārtu transportēšanas vienmēr izņemiet no tām akumulatorus!
- ▶ Izņemiet akumulatorus.
- ▶ akumulatorus nekādā gadījumā nedrīkst transportēt nenostiprinātā veidā, sabērtus kaudzēs.
- ▶ Pirms atsākt iekārtas un akumulatoru lietošanu pēc ilgākas transportēšanas, pārbaudiet, vai tie nav bojāti.

Uzglabāšana

IEVĒROT PIESARDZĪBU!

Neparedzami bojājumi bojātu vai izplūdušu akumulatoru dēļ !

- ▶ Pirms iekārtu novietošanas glabāšanā vienmēr izņemiet no tām akumulatorus!
- ▶ Iekārta un akumulatori jāglabā pēc iespējas vēsā un sausā vietā.
- ▶ Nekādā gadījumā neglabājiet akumulatorus augstā temperatūrā, tiešos saules staros vai aiz stikla.
- ▶ Glabājiet iekārtu un akumulatorus vietā, kas nav pieejama bērniem un nepiederošām personām.
- ▶ Pirms atsākt iekārtas un akumulatoru lietošanu pēc ilgas uzglabāšanas, pārbaudiet, vai tie nav bojāti.

9 Traucējumu novēršana

9.1 Traucējumu novēršana

Ja iekārtas darbībā radušies traucējumi, kas nav uzskaitīti šajā tabulā vai ko jums neizdodas novērst saviem spēkiem, lūdzu, meklējiet palīdzību mūsu **Hilti** servisā.

| Traucējums | Iespējamais iemesls | Risinājums |
|--|---|--|
| Iekārta nedarbojas. | Akumulators nav kārtīgi ievietots. | ▶ Nofiksējiet akumulatoru ar sadzirdamu, divkāršu klikšķi. |
| | Akumulators ir izlādējies. | ▶ Nomainiet akumulatoru un uzlādējiet tukšo akumulatoru. |
| | Elektriskas problēmas. | ▶ Izņemiet akumulatoru no iekārtas un vērsieties Hilti servisā. |
| Iekārta nedarbojas, mirgo viena LED. | Akumulators ir izlādējies. | ▶ Nomainiet akumulatoru un uzlādējiet tukšo akumulatoru. |
| | Akumulators ir pārāk auksts vai pārāk karsts. | ▶ Nodrošiniet ieteicamo akumulatora darba temperatūru. |
| Ieslēgšanas / izslēgšanas slēdzi nav iespējams nospiegt, respektīvi, tas ir nobloķēts. | Labā / kreisā rotācijas virziena slēdzis atrodas vidējā pozīcijā. | ▶ Pārvietojiet labā / kreisā rotācijas virziena pārslēdzēju pa labi vai pa kreisi. |
| LED 1 mirgo | Akumulators ir izlādējies. | ▶ Nomainiet akumulatoru un uzlādējiet tukšo akumulatoru. |
| | Iekārtas pārslodze (pārsniegtas ekspluatācijas robežas). | ▶ Pirms jebkādiem darbiem pievērsiet uzmanību jūsu izstrādājuma jauda parametriem. Skat. sadaļu "Tehniskie parametri". |
| Akumulators izlādējas ātrāk nekā parasti. | Ļoti zema apkārtējā temperatūra. | ▶ Ļaujiet akumulatoram pamazām sasilt līdz istabas temperatūrai. |



| Traulcējums | Iespējamais iemesls | Risinājums |
|---|--|---|
| Akumulators nenofiksējas ar sadzirdamu, divkāršu klikšķi. | Netīri akumulatora fiksācijas izciļņi. | ► Notīriet fiksācijas izciļņus un nofiksējiet akumulatoru. Ja problēma saglabājas, vērsieties Hilti servisā. |

10 Nokalpojušo iekārtu utilizācija

Hilti iekārtu izgatavošanā tiek izmantoti galvenokārt otrreiz pārstrādājami materiāli. Priekšnosacījums otrreizējai pārstrādei ir atbilstoša materiālu šķirošana. Daudzās valstīs **Hilti** pieņem nolietotās iekārtas otrreizējai pārstrādei. Lai saņemtu vairāk informācijas, vērsieties **Hilti** servisā vai pie sava pārdošanas konsultanta.

Akumulatoru utilizācija

Ja akumulatoru utilizācija netiek veikta pareizā veidā, var izplūst kaitīgas gāzes un šķidrums, kas apdraud veselību.

- Bojātus akumulatorus nav atļauts nosūtīt!
- Lai nepieļautu īssavienojumus, nosedziet pieslēguma kontaktus ar materiālu, kam nepiemīt elektriskā vadītspēja.
- Utilizējiet akumulatorus tā, lai tiem nevarētu piekļūt bērni.
- Nododiet akumulatoru utilizācijai jūsu apkalpojošajā **Hilti Store** vai vērsieties pie kompetentā atkritumu apsaimniekošanas uzņēmuma.



- Neizmetiet elektroiekārtas, elektroniskas ierīces un akumulatorus sadzīves atkritumos!

11 Ķīnas RoHS (direktīva par bīstamo vielu izmantošanas ierobežošanu)

Lai apskatītu bīstamo vielu tabulu, izmantojiet šādas saites: qr.hilti.com/r4793 (SFC 14-A) un qr.hilti.com/r4833 (SFC 22-A).

Saiti uz RoHS tabulu jūsu QR koda veidā atradīsiet šīs dokumentācijas beigās.

12 Ražotāja garantija

- Ar jautājumiem par garantijas nosacījumiem, lūdzu, vērsieties pie vietējā **Hilti** partnera.

Originali naudojimo instrukcija

1 Dokumentų duomenys

1.1 Apie šią instrukciją

- Prieš pradėdami eksploatuoti, perskaitykite šią instrukciją. Tai yra saugaus darbo ir patikimo naudojimo sąlyga.
- Laikykitės šioje instrukcijoje ir ant prietaiso pateiktų saugos nurodymų ir įspėjimų.
- Šią naudojimo instrukciją visada laikykite kartu su prietaisu, prietaisą kitiems asmenims perduokite tik kartu su šia instrukcija.

1.2 Ženklių paaiškinimas

1.2.1 Įspėjantieji nurodymai

Įspėjantieji nurodymai įspėja apie pavojus, gresiančius eksploatuojant prietaisą. Naudojami tokie signaliniai žodžiai:



PAVOJUS

PAVOJUS!

- Šis žodis vartojamas norint įspėti apie tiesiogiai gresiantį pavojų, kurio pasekmės yra sunkūs kūno sužalojimai arba žūtis.



2073071

Lietuvių

77

ĮSPĖJIMAS

ĮSPĖJIMAS !

- Šis žodis vartojamas norint įspėti apie galimai gresiantį pavojų, kurio pasekmės gali būti sunkūs kūno sužalojimai arba žūtis.

ATSARGIAI

ATSARGIAI !

- Šis žodis vartojamas potencialiai pavojingai situacijai žymėti, kai yra lengvo kūno sužalojimo arba materialinių nuostolių grėsmė.

1.2.2 Instrukcijoje naudojami simboliai

Šioje instrukcijoje naudojami tokie simboliai:

| | |
|--|--|
| | Prieš naudojant, perskaityti instrukciją |
| | Naudojimo nurodymai ir kita naudinga informacija |
| | Rodo, kad juo paženklintą medžiagą galima perdirbti |
| | Elektrinių prietaisų ir akumuliatorių nemesti į buitinius šiukšlynus |

1.2.3 Iliustracijose naudojami simboliai

Iliustracijose naudojami šie simboliai:

| | |
|---|--|
| | Šie skaitmenys nurodo atitinkamą iliustraciją šios instrukcijos pradžioje |
| 3 | Numeravimas nurodo darbinių veiksmų eiliškumą paveikslėlyje ir gali skirtis nuo tekste pateiktų darbinių veiksmų numeravimo |
| | Pozicijų numeriai naudojami paveikslėlyje Apžvalga – jie nurodo skyrelyje Prietaiso vaizdas esančių paaiškinimų numerius |
| | Šiuo ženklu siekiama atkreipti ypatingą dėmesį į naudojamą šiuo prietaisu. |

1.3 Specifiniai prietaiso simboliai

1.3.1 Simboliai ant prietaiso

Ant prietaiso naudojami tokie simboliai:

| | |
|--------|---|
| | Grėžimas be smūgiavimo |
| /min | Apsisukimai per minutę |
| n_0 | Nominalus tuščiosios eigos sukimosi greitis |
| --- | Nuolatinė srovė |
| Li-Ion | Ličio jonų akumulatorius |
| | Naudotas Hilti serijos ličio jonų akumulatorius. Atkreipkite dėmesį į duomenis skyriuje Naudojimas pagal paskirtį . |
| | Prietaisas palaiko belaidį duomenų perdavimą, suderinamą su „iOS“ ir „Android“ platformomis. |
| | Niekada nenaudokite akumulatoriaus kaip smūginio įrankio. |
| | Saugokite, kad akumulatorius nenukristų. Nenaudokite akumulatoriaus, kuris buvo sutrenktas arba kaip nors kitaip pažeistas. |



1.4 Informacija apie prietaisą

HILTI gaminiai yra skirti profesionalams, todėl juos naudoti, atlikti jų techninės priežiūros ir remonto darbus leidžiama tik įgaliotam instruktuotam personalui. Šis personalas turi būti supažindintas su visais galimais pavojais. Neinstrukuoto personalo netinkamai arba ne pagal paskirtį naudojamas prietaisas ir jo reikmenys gali kelti pavojų.

Tipas ir serijos numeris yra nurodyti firminėje duomenų lentelėje.

- ▶ Serijos numerį perkeltkite į toliau nurodytą lentelę. Kreipdamiesi su prietaisu susijusiais klausimais į mūsų atstovybę ar techninės priežiūros centrą, visada nurodykite šiuos prietaiso duomenis.
Prietaiso duomenys → psl. 79

Prietaiso duomenys

| | |
|-------------------------------------|----------------------|
| Akumuliatorinis gręžtuvas-suktuvas: | SFC 22-A SFC 14-A |
| Karta: | 01 |
| Serijos Nr.: | |

1.5 Atitikties deklaracija

Prisiimdami visą atsakomybę pareiškiame, kad čia yra aprašytas gaminyje atitinka galiojančias direktyvas ir normas. Atitikties deklaracijos kopiją rasite šios instrukcijos gale.

Techninė dokumentacija saugoma čia:

Hilti Entwicklungsgesellschaft mbH | Zulassung Geräte | Hiltistraße 6 | 86916 Kaufering, DE

2 Sauga

2.1 Bendrieji saugos nurodymai dirbantiems su elektriniais įrankiais

⚠️ ISPĖJIMAS! Perskaitykite visus saugos nurodymus ir instrukcijas. Šių saugos nurodymų ir instrukcijų nesilaikymas gali tapti elektros smūgio, gaisro ir / arba sunkių sužalojimų priežastimi.

Išsaugokite visus saugos nurodymus ir instrukcijas, kad galėtumėte į juos pažvelgti ateityje.

Sauga darbo vietoje

- ▶ **Pasirūpinkite, kad darbo vieta visada būtų švari ir gerai apšviesta.** Netvarkinga ar blogai apšviesta darbo vieta gali tapti nelaimingų atsitikimų priežastimi.
- ▶ **Nenaudokite šio elektrinio įrankio sprogoje aplinkoje, kurioje yra degių skysčių, dujų arba dulkių.** Veikiantys elektriniai įrankiai kibirkščiuoja, ir kibirkštys gali uždegti dulkes arba susikaupusius garus.
- ▶ **Dirbdami su elektriniu įrankiu, neleiskite darbo zonoje būti vaikams ir pašaliniais asmenims.** Atitraukę dėmesį nuo darbo, galite nebesuvaldyti prietaiso.

Apsauga nuo elektros

- ▶ **Venkite kūno kontakto su įžemintais paviršiais, pvz., vamzdžiais, šildytuvais, viryklėmis ir šaldytuvais.** Kai žmogaus kūnas yra įžemintas, padidėja elektros smūgio tikimybė.
- ▶ **Saugokite elektrinius įrankius nuo lietaus ir drėgmės.** Į elektrinį įrankį patekus vandens, padidėja elektros smūgio rizika.

Žmonių sauga

- ▶ **Dirbdami su elektriniu įrankiu, būkite atidūs, sutelkite dėmesį į darbą ir vadovaukitės sveika nuovoka.** Elektrinio įrankio nenaudokite, jeigu esate pavargę arba apsvaigę nuo narkotinių medžiagų, alkoholio ar vaistų. Neatidumo akimirka dirbant su elektriniu įrankiu gali tapti rimtų sužalojimų priežastimi.
- ▶ **Naudokite asmenines apsaugos priemones ir visuomet užsidėkite apsauginius akinius.** Naudojant asmenines apsaugos priemones, pvz., respiratorių, neslystančius apsauginius batus, apsauginį šalną, ausines ir kt., priklausomai nuo elektrinio įrankio tipo ir naudojimo, mažėja rizika susižaloti.
- ▶ **Saugokitės, kad neįjungtumėte prietaiso atsitiktinai.** Prieš įrankį imdami į rankas, nešdami ar dėdami į jį akumuliatorių, įsitikinkite, kad elektrinis įrankis yra išjungtas. Jeigu nešdami elektrinį įrankį pirštą laikysite ant jungiklio arba įrankį įjungsitė į elektros tinklą tuomet, kai jungiklis nėra išjungtas, gali įvykti nelaimingas atsitikimas.
- ▶ **Prieš įjungdami elektrinį įrankį, pašalinkite iš jo reguliavimo įrankius ar veržlinius raktus.** Besisukančioje prietaiso dalyje esantis įrankis ar paliktas raktas gali tapti sužalojimų priežastimi.
- ▶ **Venkite nepatogių kūno padėčių.** Dirbdami stovėkite tvirtai ir visada išlaikykite kūno pusiausvyrą. Taip galėsite geriau kontroliuoti elektrinį įrankį netikėtose situacijose.



- ▶ **Vilkėkite tinkamą aprangą. Nevilkėkite plačių drabužių, nesidėkite papuošalų. Saugokite plaukus, drabužius ir pirštines nuo besisukančių prietaiso dalių.** Laisvus drabužius, papuošalus ir ilgus plaukus gali įtraukti besisukančios prietaiso dalys.
- ▶ **Jei yra numatyta galimybė prijungti dulkių nusiurbimo ar surinkimo įrenginius, visada įsitikinkite, kad jie yra prijungti ir tinkamai naudojami.** Naudojant dulkių nusiurbimo įrenginį, gali sumažėti dulkių keliamo grėsmė.

Elektrinio įrankio naudojimas ir elgesys su juo

- ▶ **Prietaiso neperkraukite. Naudokite Jūsų darbui tinkamą elektrinį įrankį.** Su tinkamu elektriniu įrankiu dirbsite geriau ir saugiau, jei neviršysite nurodytos galios.
- ▶ **Nenaudokite elektrinio įrankio su sugedusiu jungikliu.** Elektrinis įrankis, kurio nebegalima įjungti ar išjungti, yra pavojingas ir jį reikia remontuoti.
- ▶ **Prieš atlikdami prietaiso nustatymus, keisdami reikmenis ar padėdami prietaisą į šalį, iš jo išimkite akumuliatorių.** Ši atsargumo priemonė leis išvengti netikėto elektrinio įrankio įsijungimo.
- ▶ **Nenaudojamus elektrinius įrankius saugokite vaikams nepasiekiamoje vietoje. Neleiskite prietaisu naudotis asmenims, kurie nėra su juo susipažinę arba nėra perskaitę šios instrukcijos.** Elektriniai įrankiai yra pavojingi, kai juos naudoja patirties neturintys asmenys.
- ▶ **Elektrinius įrankius rūpestingai prižiūrėkite. Tikrinkite, ar judančios elektrinio įrankio dalys tinkamai funkcionuoja ir niekur neklūva, ar nėra sulūžusių ir pažeistų dalių, kurios blogintų įrankio veikimą. Prieš naudojimą pažeistos prietaiso dalys turi būti suremontuotos.** Blogai prižiūrimi elektriniai įrankiai yra daugelio nelaimingų atsitikimų priežastis.
- ▶ **Pjovimo įrankiai visuomet turi būti aštrūs ir švarūs.** Rūpestingai prižiūrėti pjovimo įrankiai su aštriomis pjovimo briaunomis mažiau stringa ir yra lengviau valdomi.
- ▶ **Elektrinį įrankį, reikmenis, keičiamuosius įrankius ir t. t. naudokite pagal šias instrukcijas. Taip pat atsižvelkite į darbo sąlygas ir atliekamo darbo pobūdį.** Elektrinius įrankius naudojant ne pagal paskirtį, gali kilti pavojingos situacijos.

Akumuliatorinio įrankio naudojimas ir elgesys su juo

- ▶ **Akumuliatoriams įkrauti naudokite tik tuos kroviklius, kuriuos rekomenduoja gamintojas.** Kroviklį, tinkantį tik nurodytiems akumuliatorių tipams, naudojant kitiems akumuliatoriams įkrauti, kyla gaisro pavojus.
- ▶ **Elektriniuose įrankiuose naudokite tik konkrečiai jiems skirtus akumuliatorius.** Naudojant kitokius akumuliatorius, kyla pavojus susižaloti ir sukelti gaisrą.
- ▶ **Nenaudojamo akumuliatoriaus nelaikykite šalia sąvaržėlių, monetų, raktų, vinių, varžtų ar kitokių smulkių metalinių daiktų, kurie galėtų trumpai sujungti akumuliatoriaus kontaktus.** Trumpai sujungus akumuliatoriaus kontaktus, yra pavojus nusideginti ar sukelti gaisrą.
- ▶ **Akumuliatorių naudojant netinkamai, iš jo gali ištekėti skystis. Venkite kontakto su šiuo skysčiu.** Akumuliatoriaus skystis gali sudirginti arba chemiškai nudeginti odą. Jei skysčio atsitiktinai pateko ant odos, nuplaukite jį vandeniu. Jei pateko į akis – gerai praplaukite jas vandeniu ir nedelsdami kreipkitės į gydytoją.

Techninė priežiūra

- ▶ **Savo elektrinį įrankį patikėkite remontuoti tik kvalifikuotam specialistui, tam jis turi naudoti tik originalias atsargines dalis.** Taip galima užtikrinti, kad bus išlaikytas elektrinio įrankio naudojimo saugumas.

2.2 Saugos nurodymai dirbantiems su elektriniais gręžtuvais

- ▶ **Naudokite prietaiso komplekte esančias papildomas rankenas.** Prietaisui tapus nebevaldomam, galite susižaloti.
- ▶ **Vykdydami darbus, kurių metu keičiamasis įrankis gali paliesti paslėptus elektros laidus, prietaisą laikykite paėmę už izoliuotų rankenų paviršių.** Dėl kontakto su laidais, kuriais teka elektros srovė, metalinėse prietaiso dalyse taip pat gali atsirasti įtampa, todėl kyla elektros smūgio pavojus.

2.3 Papildomi saugos nurodymai dirbantiems su suktuvu

Žmonių sauga

- ▶ Prietaisą naudokite tik tada, kai jis yra techniškai tvarkingas.
- ▶ Prietaisą draudžiama keisti ar kitaip juo manipuliuoti.
- ▶ Naudokite prietaiso komplekte esančias papildomas rankenas. Prietaisui tapus nebevaldomam, galite susižaloti.
- ▶ Prietaisą visada laikykite tvirtai, abiem rankomis paėmę už rankenų. Rankenos visada turi būti sausas ir švarios.



- ▶ Venkite liesti besisukančias prietaiso dalis – susižalojimo pavojus!
- ▶ Dirbdami su prietaisu, užsidėkite tinkamus apsauginius akinius, apsauginį šalną, ausines, lengvą respiratorių ir mūvėkite apsaugines pirštines.
- ▶ Apsaugines pirštines mūvėkite ir keisdami įrankį. Liesdami keičiamąjį įrankį, galite susipjaustyti ir nusideginti rankas.
- ▶ Dirbdami užsidėkite akių apsaugos priemonę. Medžiagų skeveldros gali sužaloti odą ir akis.
- ▶ Prieš pradėdami dirbti, nustatykite darbo metu kilsiančių dulkių kenksmingumo klasę. Naudokite licencijuotą statybinį dulkių siurbį, atitinkantį apsaugos klasę pagal vietoje galiojančias apsaugos nuo dulkių normas. Tam tikrų medžiagų, pvz., dažų, kuriuose yra švino junginių, kai kurių medienos rūšių, betono / mūro / akmens, kuriuose yra kvarco ir kitų mineralų, taip pat metalo dulksės gali būti sveikatai kenksmingos.
- ▶ Pasirūpinkite, kad darbo vieta būtų gerai vėdinama, ir, jeigu reikia, užsidėkite atitinkamoms dulksmėms skirtą kvėpavimo takus saugančią kaukę. Liečiamos ar įkvėptos tokios dulksės darbuotojui ar arti jo esantiems asmenims gali sukelti alergines reakcijas ir / arba kvėpavimo takų susirgimus. Ažuolo arba buko medienos dulksės gali sukelti vėžinius susirgimus, ypač tada, kai buvo naudojami priedai medienai apdoroti (chromatai, medienos konservantai). Medžiagas, kuriose yra asbesto, leidžiama apdoroti tik specialistams.
- ▶ Dirbdami darykite pertraukas ir atpalaidavimo pratimus pirštams, kad pagerėtų kraujotaka. Dirbant ilgesnį laiką, vibracijos gali sukelti pirštų, plaštakos ar riešo sąnario kraujagyslių ar nervų sistemos pažeidimus.

Apsauga nuo elektros

- ▶ Prieš pradėdami dirbti, patikrinkite, ar darbo zonoje nėra paslėptų elektros laidų, dujų ar vandentiekio vamzdžių. Netyčia pažeidus elektros kabelį, išorinėse metalinėse prietaiso dalyse gali atsirasti įtampa, kelianti elektros smūgio pavojų.

Atsargus elektrinių įrankių naudojimas ir elgesys su jais

- ▶ Įrankiui užsiblokavus, elektrinį įrankį nedelsdami išjunkite. Prietaisas gali pakrypti į šoną.
- ▶ Prieš elektrinį įrankį padėdami, palaukite, kol jis visiškai sustos.

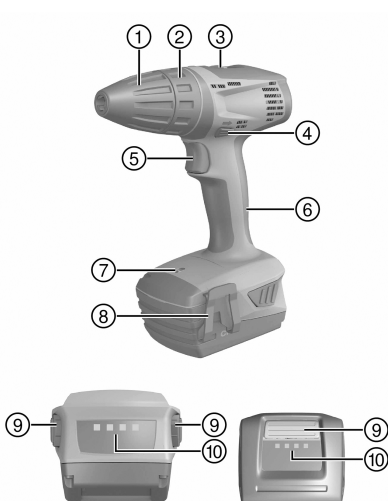
2.4 Su akumuliatoriais elgtis atsargiai

- ▶ Laikykitės Li-Ion akumuliatorių specialiųjų transportavimo, sandėliavimo ir naudojimo direktyvų.
- ▶ Akumuliatorius saugokite nuo aukštos temperatūros, tiesioginių saulės spindulių ir ugnies.
- ▶ Akumuliatorius draudžiama ardyti, spausti, kaitinti iki aukštesnės kaip 80 °C temperatūros arba deginti.
- ▶ Nenaudokite ir neįkraukite akumuliatorių, kurie buvo patyrę smūgi, kritę iš didesnio kaip vieno metro aukščio ar yra kitokiu būdu pažeisti. Tokiu atveju visada kreipkitės į savo **Hilti techninės priežiūros centrą**.
- ▶ Jeigu į rankas paimtas akumuliatorius atrodo karštas, jis gali būti sugedęs. Prietaisą padėkite nedegioje vietoje toliau nuo degių medžiagų ir, nuolat stebėdami, leiskite atvėsti. Tokiu atveju visada kreipkitės į savo **Hilti techninės priežiūros centrą**.



3 Aprašymas

3.1 Vaizdas 1



- ① Greitojo fiksavimo griebtuvas
- ② Sukimo momento ir gręžimo nustatymo žiedas
- ③ Dviejų padėčių jungiklis
- ④ Dešininės / kairinės eigos perjungiklis su įjungimo blokatoriumi
- ⑤ Valdymo jungiklis (su elektroniniu sukimosi greičio reguliavimu)
- ⑥ Rankena
- ⑦ Lemputė
- ⑧ Diržo kablys (papildomai užsakoma įranga)
- ⑨ Atblokavimo mygtukai su papildoma įkrovos lygio indikatoriumi suaktyvinimo funkcija
- ⑩ Įkrovos lygio ir sutrikimų indikatorius (Li-Ion akumulatoriaus)

3.2 Naudojimas pagal paskirtį

Aprašytasis prietaisas yra rankinis akumulatorinis gręžtuvas-suktuvas. Jis yra skirtas varžtams įsukti ir atsukti, taip pat plienui, medienai ir plastikams gręžti.

- ▶ Su šiuo prietaisu naudokite tik B14 ir B22 serijų **Hilti** ličio jonų akumulatorius.
- ▶ Šiems akumulatoriams įkrauti naudokite tik C4/36 serijos **Hilti** kroviklius.

3.3 Įkrovos lygio indikatorius

Ličio jonų akumulatoriaus įkrovos lygis rodomas paspaudus atblokavimo mygtuką.

| Būsena | Reikšmė |
|---------------------------|---------------------------------|
| Šviečia 4 šviesos diodai. | Įkrovos lygis: nuo 75 iki 100 % |
| Šviečia 3 šviesos diodai. | Įkrovos lygis: nuo 50 iki 75 % |
| Šviečia 2 šviesos diodai. | Įkrovos lygis: nuo 25 iki 50 % |
| Šviečia 1 šviesos diodas. | Įkrovos lygis: nuo 10 iki 25 % |
| 1 šviesos diodas mirksi. | Įkrovos lygis: < 10 % |

Kai paspaustas valdymo jungiklis, įkrovos lygis nerodomas.

3.4 Tiekiamas komplektas

Gręžtuvas-suktuvas, naudojimo instrukcija.

- Daugiau Jūsų turimam prietaisui skirtų sisteminių reikmenų rasite vietiniame **Hilti** techninės priežiūros centre arba tinklalapyje www.hilti.group.



4 Techniniai duomenys

4.1 Techniniai duomenys

| | SFC 14-A | SFC 22-A |
|--|------------------------------------|------------------------------------|
| Nominalioji maitinimo įtampa | 14,4 V | 21,6 V |
| Svoris pagal „EPTA-Procedure 01“ | 1,5 kg | 2,4 kg |
| Sukimosi greitis, 1 padėtis | 0 aps./min. ... 500 aps./min. | 0 aps./min. ... 600 aps./min. |
| Sukimosi greitis, 2 padėtis | 0 aps./min. ... 1 700 aps./min. | 0 aps./min. ... 1 800 aps./min. |
| Sukimo momentas (maks.) | 24 Nm | 28 Nm |
| Sukimo momento nustatymas (15 padėčių) | 1,5 Nm ... 10 Nm | 1,5 Nm ... 10 Nm |

4.2 Akumulatorius

| | |
|---|------------------|
| Akumulatoriaus darbinė įtampa | 14,4 V |
| Darbinė aplinkos temperatūra | -17 °C ... 60 °C |
| Laikymo temperatūra | -20 °C ... 40 °C |
| Akumulatoriaus temperatūra, kai pradedama įkrauti | -10 °C ... 45 °C |

4.3 Akumulatorius

| | |
|---|------------------|
| Akumulatoriaus darbinė įtampa | 21,6 V |
| Darbinė aplinkos temperatūra | -17 °C ... 60 °C |
| Laikymo temperatūra | -20 °C ... 40 °C |
| Akumulatoriaus temperatūra, kai pradedama įkrauti | -10 °C ... 45 °C |

4.4 Informacija apie triukšmą ir vibracijos reikšmės pagal EN 60745

Šiuose nurodymuose pateiktos garso slėgio ir vibracijos reikšmės yra išmatuotos taikant standartizuotą matavimo metodą ir gali būti naudojamos elektriniams įrankiams palyginti tarpusavyje. Jos taip pat tinka šių veiksmų poveikiui iš anksto įvertinti. Nurodytieji duomenys yra susieti su pagrindinėmis šio elektrinio įrankio naudojimo sritimis. Jeigu elektrinis įrankis bus naudojamas kitaip, su skirtingais keičiamaisiais įrankiais arba bus nepakankamai techniškai prižiūrimas, šie duomenys gali skirtis nuo nurodytųjų. Tai gali gerokai padidinti šių veiksnių poveikį per visą darbo laikotarpį. Norint tiksliai įvertinti poveikį, reikėtų įvertinti ir laiką, kai prietaisas yra išjungtas, arba, nors ir įjungtas, juo faktiškai nedirbama. Toks įvertinimas gali smarkiai sumažinti poveikio per visą darbo laikotarpį reikšmę. Imkitės papildomų saugos priemonių, kad darbuotojas būtų apsaugotas nuo triukšmo ir / arba vibracijos poveikio, pavyzdžiui, reikalaukite tinkamos elektrinio įrankio ir keičiamųjų įrankių techninės priežiūros, pasirūpinkite, kad darbuotojų rankos visada būtų šiltos, užtikrinkite tinkamą darbo organizavimą.

Skleidžiamo triukšmo lygio reikšmės

| | SFC 14-A | SFC 22-A |
|---|----------|----------|
| Skleidžiamo garso slėgio lygis (L_{pA}) | 69 dB(A) | 69 dB(A) |
| Garso slėgio lygio paklaida (K_{pA}) | 3 dB(A) | 3 dB(A) |
| Garso galios lygis | 80 dB(A) | 80 dB(A) |
| Garso galios lygio paklaida (K_{WA}) | 3 dB(A) | 3 dB(A) |

Suminės vibracijų reikšmės

| | SFC 14-A | SFC 22-A |
|---|-----------------------|-----------------------|
| Vibracijų emisijos reikšmė sukant varžtus (a_n) | < 2 m/s ² | < 2 m/s ² |
| Paklaida sukant varžtus (K) | 1,5 m/s ² | 1,5 m/s ² |
| Metalo grėžimas ($a_{h,D}$) | 2,67 m/s ² | 2,67 m/s ² |
| Paklaida grėžiant metalą (K) | 1,5 m/s ² | 1,5 m/s ² |



5 Pasiruošimas darbui

ATSARGIAI

Sužalojimo pavojus dėl atsitiktinio paleidimo!

- ▶ Prieš įdėdami akumuliatorių, įsitikinkite, kad atitinkamas prietaisas yra išjungtas.
- ▶ Prieš nustatydami prietaisą ar keisdami reikmenis, išimkite akumuliatorių.

Laikykitės šioje instrukcijoje ir ant prietaiso pateiktų saugos nurodymų ir įspėjimų.

5.1 Akumulatoriaus įkrovimas

1. Prieš pradėdami krauti, perskaitykite kroviklio naudojimo instrukciją.
2. Atkreipkite dėmesį, kad akumulatoriaus ir kroviklio kontaktai turi būti švarūs ir sausi.
3. Akumuliatorių įkraukite leistinu krovikliu.

5.2 Akumulatoriaus įdėjimas

ATSARGIAI

Sužalojimo pavojus dėl trumpojo jungimo arba krintančio akumulatoriaus!

- ▶ Prieš įdėdami akumuliatorių, įsitikinkite, kad jo ir prietaiso kontaktuose nėra pašalinių daiktų.
- ▶ Visada įsitikinkite, kad akumulatorius tinkamai užsifiksavo.

1. Prieš pirmąjį kartą naudodami, akumuliatorių pilnai įkraukite.
2. Akumuliatorių dėkite į prietaise esantį laikiklį, kol girdimai užsifiksuos.
3. Patikrinkite, ar akumulatorius gerai užfiksuotas prietaise.

5.3 Akumulatoriaus išėmimas

1. Spauskite akumulatoriaus atfiksavimo mygtukus.
2. Akumuliatorių išimkite iš prietaiso.

5.4 Diržo kablio (papildomai užsakoma įranga) montavimas

ĮSPĖJIMAS

Sužalojimo pavojus. Krintantis prietaisas gali sužaloti Jus ir kitus žmones.

- ▶ Prieš pradėdami dirbti kontroliuokite, kad diržo kablys būtų patikimai pritvirtintas.



Diržo kabliu prietaisą galite laikinai „pasidėti“ prie pat kūno – pakabinti ant diržo. Diržo kabli galima sumontuoti taip, kad prietaisą būtų galima kabinti dešinėje arba kairėje kūno pusėje.

- ▶ Sumontuokite diržo kabli.

5.5 Keičiamojo įrankio įdėjimas

1. Dešininės / kairinės eigos perjungiklį nustatykite į vidurinę padėtį arba iš prietaiso išimkite akumuliatorių.
2. Patikrinkite, ar keičiamojo įrankio kotas yra švarus. Jei reikia, jį nuvalykite.
3. Atidarykite greitojo fiksavimo griebtuvą.
4. Keičiamąjį įrankį įstatykite į greitojo fiksavimo griebtuvą, tada greitojo fiksavimo griebtuvą veržkite tol, kol išgirsite daugkartinį mechaninį spragsėjimą.
5. Patikrinkite, ar keičiamasis įrankis laikosi tvirtai.

6 Naudojimas

Laikykitės šioje instrukcijoje ir ant prietaiso pateiktų saugos nurodymų ir įspėjimų.

6.1 Greičio pasirinkimas

- ▶ Pasirinkite greitį.



6.2 Dešininės / kairinės eigos nustatymas

Blokavimo įtaisas neleidžia perjungti jungiklio, kol variklis veikia. Vidurinėje padėtyje valdymo jungiklis yra užblokuotas (įjungimo blokatorius).

- ▶ Dešininės / kairinės eigos perjungikliu nustatykite norimą sukimosi kryptį.

6.3 Įjungimas

- ▶ Spauskite valdymo jungiklį.

Priklausomai nuo valdymo jungiklio spaudimo, sukimosi greitį galima sklandžiai reguliuoti iki maksimalios reikšmės.

6.4 Varžtų sukimas

1. Sukimo momento ir funkcijos nustatymo žiedu nustatykite reikiamą sukimo momentą.
2. Dešininės / kairinės eigos perjungikliu nustatykite norimą sukimosi kryptį.

6.5 Gręžimas

1. Sukimo momento ir funkcijos pasirinkimo žiedą nustatykite ties simboliu .
2. Dešininės / kairinės eigos perjungiklį nustatykite į dešininės eigos padėtį.

6.6 Išjungimas

- ▶ Atleiskite valdymo jungiklį.

6.7 Keičiamojo įrankio išėmimas

1. Dešininės / kairinės eigos perjungiklį nustatykite į vidurinę padėtį arba iš prietaiso išimkite akumuliatorių.
2. Atidarykite greitojo fiksavimo griebtuvą.
3. Keičiamąjį įrankį ištraukite iš greitojo fiksavimo griebtuvo.

7 Priežiūra ir einamasis remontas

ĮSPĖJIMAS

Sužalojimo pavojus kai įstatytas akumuliatorius !

- ▶ Prieš pradėdami bet kokius techninės priežiūros ir einamojo remonto darbus, akumuliatorių iš prietaiso išimkite!

Prietaiso priežiūra

- Atsargiai pašalinti prilipusius nešvarumus.
- Vėdinimo plyšius atsargiai išvalyti sausu šepetėliu.
- Korpusą valyti tik šiek tiek sudrėkinta šluoste. Nenaudoti silikono turinčių priežiūros priemonių, nes jos gali pakenkti plastikinėms detalėms.

Ličio jonų akumuliatorių priežiūra

- Akumuliatorių saugoti nuo alyvos ir tirštojo tepalo.
- Korpusą valyti tik šiek tiek sudrėkinta šluoste. Nenaudoti silikono turinčių priežiūros priemonių, nes jos gali pakenkti plastikinėms detalėms.
- Saugoti, kad į vidų neprasiskverbtų drėgmė.

Einamasis remontas

- Reguliariai tikrinti, ar matomos dalys nėra pažeistos ir ar valdymo elementai veikia nepriekaištingai.
- Pažeisto ir / arba turinčio veikimo sutrikimų prietaiso nenaudoti. Nedelsiant kreiptis į Hilti techninės priežiūros centrą dėl remonto.
- Baigus techninės priežiūros ir einamojo remonto darbus, sumontuoti visus apsauginius įtaisus ir patikrinti jų veikimą.





Kad eksploatacija būtų patikima, naudokite tik originalias atsargines dalis ir eksploatacines medžiagas. Mūsų aprobuotas atsargines dalis, eksploatacines medžiagas ir reikmenis savo prietaisui rasite vietinėje **Hilti Store** arba tinklalapyje **www.hilti.group**.

8 Akumuliatorių prietaisų transportavimas ir sandėliavimas

Transportavimas

ATSARGIAI

Atsitiktinis įjungimas transportuojant !

- ▶ Savo prietaisus visada transportuokite tik išėmę akumulatorius!
- ▶ Išimti akumulatorius.
- ▶ Akumuliatorių niekada netransportuoti sumetus į krūvą su kitais daiktais.
- ▶ Prieš naudojant po ilgesnio transportavimo, patikrinti, ar prietaisas ir akumulatoriai nėra pažeisti.

Sandėliavimas

ATSARGIAI

Atsitiktinis pažeidimas dėl sugedusių ar išsiliejusių akumuliatorių !

- ▶ Savo prietaisus visada laikykite tik išėmę akumulatorius!
- ▶ Prietaisų ir akumuliatorių pagal galimybes laikyti sausoje ir vėsioje vietoje.
- ▶ Akumuliatorių jokių būdu nelaikyti saulės atokaitoje, ant šildymo prietaisų ar už automobilio lango stiklo.
- ▶ Prietaisų ir akumuliatorių laikyti vaikams bei neįgaliesiems asmenims neprieinamoje vietoje.
- ▶ Prieš naudojant po ilgesnio sandėliavimo, patikrinti, ar prietaisas ir akumulatoriai nėra pažeisti.

9 Pagalba sutrikus veikimui

9.1 Pagalba sutrikus veikimui

Pasitaikius sutrikimų, kurie nėra aprašyti šioje lentelėje arba kurių negalite pašalinti patys, kreipkitės į **Hilti** techninės priežiūros centrą.

| Sutrikimas | Galima priežastis | Sprendimas |
|--|--|--|
| Prietaisas neveikia. | Akumuliatorius netinkamai įstatytas. | ▶ Užfiksuokite akumuliatorių – turi pasigirsti dvigubas spragtelėjimas. |
| | Akumuliatorius yra išsekęs. | ▶ Akumuliatorių pakeiskite, o išsekusį įkraukite. |
| | Elektrinės dalies sutrikimas. | ▶ Akumuliatorių iš prietaiso išimti ir susisiekti su Hilti techninės priežiūros centru. |
| Prietaisas neveikia, mirksi vienas šviesos diodas. | Akumuliatorius yra išsekęs. | ▶ Akumuliatorių pakeiskite, o išsekusį įkraukite. |
| | Akumuliatorius per karštas arba per šaltas. | ▶ Akumuliatorių atvėsinkite arba pašildykite iki rekomenduojamos darbinės temperatūros. |
| Jungiklio negalima paspausti arba jis yra užblokuotas. | Dešininės / kairinės eigos perjungiklis yra vidurinėje padėtyje. | ▶ Dešininės / kairinės eigos perjungiklį pastumkite į kairę arba į dešinę. |
| Mirksi 1 šviesos diodas | Akumuliatorius yra išsekęs. | ▶ Akumuliatorių pakeiskite, o išsekusį įkraukite. |
| | Prietaisas yra perkrautas (viršyta nurodyta apkrova). | ▶ Prieš vykdydami bet kokius darbus, atkreipkite dėmesį į savo prietaiso galią. Žr. „Techniniai duomenys“. |
| Akumuliatorius išsikrauna greičiau nei paprastai. | Labai žema aplinkos temperatūra. | ▶ Leiskite akumuliatoriui lėtai įšilti iki patalpos temperatūros. |



| Sutrikimas | Galima priežastis | Sprendimas |
|---|---------------------------------------|--|
| Akumulatorius neužsifiksuoja ir nepasigirsta dvigubas spragtelėjimas. | Užterštas akumulatoriaus fiksatorius. | ► Nuvalykite fiksatorių ir užfiksuokite akumulatorių. Jeigu problema išlieka, susisiekite su Hilti techninės priežiūros centru. |

10 Utilizavimas

Hilti prietaisai yra pagaminti iš medžiagų, kurias galima naudoti antrą kartą. Būtina antrinio perdurbimo sąlyga yra tinkamas medžiagų išrūšiuojimas. Daugelyje šalių **Hilti** priims Jūsų nebenaudojamą prietaisą perdurbiti. Apie tai galite pasiteirauti artimiausiam **Hilti** techninės priežiūros centre arba savo prekybos konsultanto.

Akumuliatorių utilizavimas

Dėl netinkamo akumuliatorių utilizavimo į aplinką pasklidusios dujos ar ištėkėję skysčiai gali kelti grėsmę sveikatai.

- Pažeistų akumuliatorių nesiųskite paštu ir nepervežkite!
- Kad būtų išvengta trumpojo jungimo, jungtis uždenkite elektra nelaidžia medžiaga.
- Akumuliatorių utilizuokite taip, kad jie negalėtų patekti į vaikų rankas.
- Akumuliatorių pristatykite utilizuoti į savo **Hilti Store** arba kreipkitės į vietinę kompetentingą utilizavimo įmonę.



- Elektrinių įrankių, elektroninių prietaisų ir akumuliatorių neišmeskite į buitinius šukšlynus!

11 China RoHS (direktyva dėl pavojingų medžiagų naudojimo ribojimo)

Pavojingų medžiagų lentelę rasite spausdami šias nuorodas: qr.hilti.com/r4793 (SFC 14-A) ir qr.hilti.com/r4833 (SFC 22-A).

Nuorodą į RoHS lentelę rasite kaip QR kodą šios instrukcijos gale.

12 Gamintojo teikiama garantija

- Kilus klausimų dėl garantijos sąlygų, kreipkitės į vietinį **Hilti** partnerį.

Оригинальное руководство по эксплуатации

1 Указания к документации

1.1 Об этом документе



Импортер и уполномоченная изготовителем организация

- (RU) Российская Федерация
АО "Хилти Дистрибьюшн ЛТД", 141402, Московская область, г. Химки, ул. Ленинградская, стр. 25
- (BY) Республика Беларусь
222750, Минская область, Дзержинский район, Р-1, 18-й км, 2 (около д. Слободка), помещение 1-34
- (KZ) Республика Казахстан
Республика Казахстан, индекс 050011, г. Алматы, ул. Пугачева 4
- (KG) Киргизская Республика
ОсОО "Т AND Т", 720021, Кыргызстан, Бишкек, ул. Ибраимова 29 А
- (AM) Республика Армения
ООО Эйч-Кон, Республика Армения, г. Ереван, ул. Бабаяна 10/1

Страна производства: см. маркировочную табличку на оборудовании.



2073071

Русский

87

Дата производства: см. маркировочную табличку на оборудовании.

Соответствующий сертификат можно найти по адресу: www.hilti.ru

Специальных требований к условиям хранения, транспортировки и использования, кроме указанных в руководстве по эксплуатации, нет.

Срок службы изделия составляет 5 лет.

- Ознакомьтесь с этим документом перед началом работы. Это является залогом безопасной работы и бесперебойной эксплуатации.
- Соблюдайте указания по технике безопасности и предупреждающие указания, приводимые в данном документе и на изделии.
- Храните руководство по эксплуатации всегда рядом с электроинструментом и передавайте электроинструмент будущим владельцам только вместе с этим руководством.

1.2 Пояснение к знакам (условным обозначениям)

1.2.1 Предупреждающие указания

Предупреждающие указания служат для предупреждения об опасностях при обращении с машиной. Используются следующие сигнальные слова:

ОПАСНО

ОПАСНО !

- ▶ Общее обозначение непосредственной опасной ситуации, которая влечет за собой тяжелые травмы или смертельный исход.

ПРЕДУПРЕЖДЕНИЕ

ПРЕДУПРЕЖДЕНИЕ !

- ▶ Общее обозначение потенциально опасной ситуации, которая может повлечь за собой тяжелые травмы или смертельный исход.

ОСТОРОЖНО

ОСТОРОЖНО !

- ▶ Общее обозначение потенциально опасной ситуации, которая может повлечь за собой легкие травмы или повреждение оборудования.

1.2.2 Символы, используемые в руководстве

В этом руководстве используются следующие символы:



Перед использованием прочтите руководство по эксплуатации.



Указания по эксплуатации и другая полезная информация



Обращение с материалами, пригодными для вторичной переработки



Не выбрасывайте электроустройства и аккумуляторы вместе с обычным мусором!

1.2.3 Символы на изображениях

На изображениях используются следующие символы:

2

Эти цифры указывают на соответствующее изображение в начале данного руководства.

3

Нумерация на изображениях отображает порядок выполнения рабочих операций и может отличаться от нумерации, используемой в тексте.

11

Номера позиций используются в **обзорном** изображении. В **обзоре изделия** они указывают на номера в экспликации.



Этот знак должен привлечь особое внимание пользователя при обращении с изделием.



1.3 Символы в зависимости от изделия

1.3.1 Символы на изделии

На изделии используются следующие символы:

| | |
|--------|--|
| | Сверление без удара |
| /min | обороты в минуту |
| n_0 | Номинальная частота вращения на холостом ходу |
| | Постоянный ток |
| Li-Ion | Литий-ионный аккумулятор |
| | Серия используемых литий-ионных аккумуляторов Hilti . Соблюдайте указания, приведенные в главе Использование по назначению . |
| | Устройство поддерживает технологию NFC, совместимую с платформами iOS и Android. |
| | Никогда не используйте аккумулятор в качестве ударного инструмента. |
| | Не допускайте падения аккумулятора. Не используйте аккумулятор, который получил повреждения вследствие удара или каким-либо иным образом. |

1.4 Информация об изделии

Изделия предназначены для профессионального использования, поэтому они должны обслуживаться и ремонтироваться только уполномоченным и обученным персоналом. Этот персонал должен пройти специальный инструктаж по технике безопасности. Использование изделия и его оснастки не по назначению или его эксплуатация необученным персоналом могут представлять опасность.

Типовое обозначение и серийный номер указаны на заводской табличке.

- ▶ Перепишите серийный номер в нижеприведенную табличную форму. Данные изделия необходимы при обращении в наше представительство или сервисный центр.

Указания к изделию → страница 89

Указания к изделию

| | |
|----------------------------------|----------------------|
| Аккумуляторная дрель-шуруповерт: | SFC 22-A SFC 14-A |
| Поколение: | 01 |
| Серийный номер: | |

1.5 Декларация соответствия нормам

Настоящим мы с полной ответственностью заявляем, что данное изделие соответствует действующим директивам и нормам. Копию декларации соответствия нормам см. в конце этого документа.

Техническая документация (оригиналы) хранится здесь:

Hilti Entwicklungsgesellschaft mbH | Zulassung Geräte | Hiltistraße 6 | 86916 Kaufering, Германия

2 Безопасность

2.1 Общие указания по технике безопасности для электроинструментов

ПРЕДУПРЕЖДЕНИЕ! Прочтите все указания по технике безопасности и инструкции. Невыполнение приведенных ниже указаний может привести к поражению электрическим током, пожару и/или вызвать тяжелые травмы.

Сохраните все указания по технике безопасности и инструкции для следующего пользователя.



2073071

Русский

89

Безопасность рабочего места

- ▶ Следите за чистой и хорошей освещенностью на рабочем месте. Беспорядок на рабочем месте или плохое освещение могут привести к несчастным случаям.
- ▶ Не используйте электроинструмент во взрывоопасной зоне, где имеются горючие жидкости, газы или пыль. При работе электроинструмент искрит, и искры могут воспламенить пыль или пары/газы.
- ▶ Не разрешайте детям и посторонним приближаться к работающему электроинструменту. Отвлекаясь от работы, можно потерять контроль над электроинструментом.

Электрическая безопасность

- ▶ Избегайте касания частями тела заземленных поверхностей труб, батарей центрального отопления, газовых/электрических плит и холодильников. При контакте с заземленными предметами возникает повышенный риск поражения электрическим током.
- ▶ Предохраняйте электроинструменты от дождя или воздействия влаги. В результате попадания воды в электроинструмент возрастает риск поражения электрическим током.

Безопасность персонала

- ▶ Будьте внимательны, следите за своими действиями и серьезно относитесь к работе с электроинструментом. Не пользуйтесь электроинструментом, если вы устали или находитесь под действием наркотиков, алкоголя или медикаментов. Незначительная ошибка при невнимательной работе с электроинструментом может стать причиной серьезного травмирования.
- ▶ Используйте средства индивидуальной защиты и всегда надевайте защитные очки. Использование средств индивидуальной защиты, например, респиратора, защитной обуви на нескользящей подошве, защитной каски или защитных наушников, в зависимости от вида и условий эксплуатации электроинструмента, снижает риск травмирования.
- ▶ Избегайте непреднамеренного включения электроинструмента. Убедитесь в том, что электроинструмент выключен, прежде чем вставить аккумулятор, поднимать или переносить электроинструмент. Ситуации, когда при переноске электроинструмента пальцы находятся на выключателе или когда электроинструмент запитывается во включенном положении, могут привести к несчастным случаям.
- ▶ Перед включением электроинструмента удалите регулировочные приспособления или гаечные ключи. Рабочий инструмент или гаечный ключ, находящийся во вращающейся части электроинструмента, может стать причиной получения травм.
- ▶ Старайтесь избегать неестественных поз при работе. Постоянно сохраняйте устойчивое положение и равновесие. Это позволит лучше контролировать электроинструмент в непредвиденных ситуациях.
- ▶ Носите спецодежду. Не надевайте очень свободную одежду или украшения. Оберегайте волосы, одежду и защитные перчатки от вращающихся узлов электроинструмента. Свободная одежда, украшения и длинные волосы могут быть захвачены ими.
- ▶ Если предусмотрено подсоединение устройств для удаления и сбора пыли, убедитесь в том, что они подсоединены и используются по назначению. Использование пылеудаляющего аппарата снижает вредное воздействие пыли.

Использование и обслуживание электроинструмента

- ▶ Не допускайте перегрузки электроинструмента. Используйте электроинструмент, предназначенный именно для данной работы. Соблюдение этого правила обеспечит более высокое качество и безопасность работы в указанном диапазоне мощности.
- ▶ Не используйте электроинструмент с неисправным выключателем. Электроинструмент, включение или выключение которого затруднено, представляет опасность и должен быть отремонтирован.
- ▶ Прежде чем приступить к регулировке устройства, замене принадлежностей или прежде чем убрать устройство на хранение извлекайте из него аккумулятор. Данная мера предосторожности позволит предотвратить непреднамеренное включение электроинструмента.
- ▶ Храните неиспользуемые электроинструменты в местах, недоступных для детей. Не позволяйте использовать устройство лицам, которые не ознакомлены с ним или не читали данных инструкций. Электроинструменты представляют собой опасность в руках неопытных пользователей.
- ▶ Тщательно ухаживайте за электроинструментами. Проверяйте безупречное функционирование подвижных деталей/частей, легкость их хода, целостность и отсутствие повреждений, которые могли бы отрицательно повлиять на работу электроинструмента. Сдавайте поврежденные части устройства в ремонт до его использования. Причиной многих несчастных случаев является несоблюдение правил технического обслуживания электроинструментов.



- ▶ **Необходимо следить за тем, чтобы режущие инструменты были острыми и чистыми.** Заклинивание содержащихся в надлежащем состоянии режущих инструментов происходит реже, ими легче управлять.
- ▶ **Применяйте электроинструмент, принадлежности, рабочие инструменты и т. д. согласно приведенным указаниям. Учитывайте при этом рабочие условия и характер выполняемой работы.** Использование электроинструментов не по назначению может привести к опасным ситуациям.

Использование и обслуживание аккумуляторного инструмента

- ▶ **Заряжайте аккумуляторы только с помощью зарядных устройств, рекомендованных изготовителем.** При использовании зарядного устройства для зарядки несоответствующих ему типов аккумуляторов существует опасность возгорания.
- ▶ **Используйте только оригинальные аккумуляторы, рекомендованные специально для этого электроинструмента.** Использование других аккумуляторов может привести к травмам и опасности возгорания.
- ▶ **Неиспользуемые аккумуляторы храните вдали от скрепок, монет, ключей, гвоздей, шурупов или других мелких металлических предметов, которые могут стать причиной замыкания контактов.** Замыкание контактов аккумулятора может привести к ожогам или возгоранию.
- ▶ **При неверном обращении с аккумулятором из него может вытечь электролит. Избегайте контакта с ним.** Вытекший из аккумулятора электролит может привести к раздражению кожи или ожогам. При случайном контакте смойте водой. При попадании электролита в глаза дополнительно обратитесь за помощью к врачу.

Сервис

- ▶ **Доверяйте ремонт своего электроинструмента только квалифицированному персоналу, использующему только оригинальные запчасти.** Этим обеспечивается поддержание электроинструмента в безопасном и исправном состоянии.

2.2 Указания по технике безопасности при работе с дрелями

- ▶ **Используйте дополнительные рукоятки, входящие в комплект электроинструмента.** Потеря контроля над электроинструментом может привести к получению травм.
- ▶ **При опасности повреждения рабочим инструментом скрытой электропроводки держите электроинструмент за изолированные поверхности рукояток.** При контакте с токопроводящей линией металлические части электроинструмента также находятся под напряжением, что может привести к поражению электрическим током.

2.3 Дополнительные указания по технике безопасности при работе с гайковертом

Безопасность персонала

- ▶ Используйте электроинструмент только в технически исправном состоянии.
- ▶ Внесение изменений в конструкцию электроинструмента или его модификация категорически запрещаются.
- ▶ Используйте дополнительные рукоятки, которые входят в комплект электроинструмента. Потеря контроля над электроинструментом может привести к травмам.
- ▶ Всегда надежно удерживайте электроинструмент обеими руками за предусмотренные для этого рукоятки. Следите за тем, чтобы рукоятки были сухими и чистыми.
- ▶ Не прикасайтесь к вращающимся деталям/узлам электроинструмента — опасность травмирования!
- ▶ При работе с электроинструментом надевайте подходящие защитные очки, защитную каску, защитные наушники, защитные перчатки и легкий респиратор.
- ▶ При замене рабочего инструмента надевайте защитные перчатки. Соблюдайте осторожность при замене рабочего инструмента — контакт с ним может привести к порезам и ожогам.
- ▶ Пользуйтесь защитными очками. Осколки материала могут травмировать тело и глаза.
- ▶ Перед началом работы выясните по материалу заготовки класс опасности возникающей пыли. Для работы с электроинструментом используйте строительный (промышленный) пылесос, степень защиты которого соответствует нормам пылезащиты, действующим в месте эксплуатации. Пыль, возникающая при обработке лакокрасочных покрытий, содержащих свинец, некоторых видов древесины, бетона/кирпичной и каменной кладки с частицами кварца, минералов, а также металла может представлять опасность для здоровья.
- ▶ Обеспечьте оптимальную вентиляцию рабочей зоны и при необходимости надевайте респиратор, который подходит для защиты от конкретного вида пыли. Вдыхание частиц такой пыли или контакт с ней может стать причиной появления аллергических реакций и/или заболеваний дыхательных путей как у пользователя, так и находящихся вблизи лиц. Некоторые виды пыли (например, пыль,



возникающая при обработке дуба или бука) считаются канцерогенными, особенно в комбинации с дополнительными материалами, используемыми для обработки древесины (соль хромовой кислоты, средства защиты древесины). К работам с асбестосодержащим материалом должны допускаться только специалисты.

- ▶ Чтобы во время работы руки не затекали, время от времени делайте упражнения для расслабления и разминки пальцев. При длительной работе возникающие вибрации могут привести к сбоям в кровоснабжении сосудов или в нервных окончаниях пальцев/кистей рук или в запястьях.

Электрическая безопасность

- ▶ Перед началом работы проверяйте рабочее место на наличие скрытой электропроводки, газо- и водопроводных труб. Открытые металлические части электроинструмента могут стать проводниками электрического тока, если случайно задеть электропроводку.

Бережное обращение с электроинструментами и их правильная эксплуатация

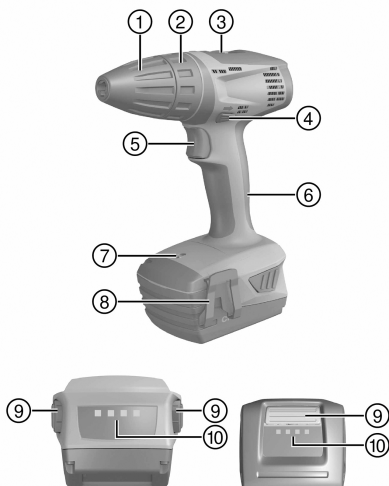
- ▶ Немедленно выключайте электроинструмент в случае блокировки рабочего инструмента. Электроинструмент может увести в сторону.
- ▶ Дождитесь, пока электроинструмент полностью не остановится, прежде чем отложить его в сторону.

2.4 Аккуратное обращение с аккумуляторами и их правильное использование

- ▶ Соблюдайте специальные предписания по транспортировке, хранению и эксплуатации литий-ионных аккумуляторов.
- ▶ Храните аккумуляторы на безопасном расстоянии от источников высокой температуры/огня и не подвергайте их прямому воздействию солнечного излучения.
- ▶ Запрещается разбирать, сдавливать, нагревать до температуры свыше 80 °С или сжигать аккумуляторы.
- ▶ Не используйте или не заряжайте аккумуляторы, которые подвергались ударам, падали с высоты более одного метра или получили какие-либо повреждения. При возникновении такой ситуации всегда обращайтесь в ближайший **сервисный центр Hilti**.
- ▶ Слишком сильный нагрев аккумулятора (такой, что до него невозможно дотронуться) указывает на его возможный дефект. Поместите изделие в пожаробезопасное место на достаточном расстоянии от воспламеняющихся материалов, где вы сможете контролировать ситуацию, и дайте ему остыть. При возникновении такой ситуации всегда обращайтесь в ближайший **сервисный центр Hilti**.

3 Описание

3.1 Обзор



- 1 Быстрозажимной патрон
- 2 Кольцо регулировки крутящего момента и установки режима работы (сверления)
- 3 2-ступенчатый переключатель частоты вращения
- 4 Переключатель правого/левого вращения с блокировкой включения
- 5 Выключатель (с электронной регулировкой частоты вращения)
- 6 Рукоятка
- 7 Лампа
- 8 Крепежный крючок (опция)
- 9 Кнопки (де)блокировки с дополнительной функцией активации индикатора уровня заряда аккумулятора
- 10 Индикатор уровня заряда и неисправности (литий-ионного аккумулятора)



3.2 Использование по назначению

Этот электроинструмент представляет собой ручную аккумуляторную дрель-шурупверт, предназначенную для заворачивания и выворачивания шурупов, а также для сверления стали, древесины и пластмассы.

- ▶ Для этого электроинструмента используйте только литий-ионные аккумуляторы **Hilti** серии B14 и B22.
- ▶ Для зарядки этих аккумуляторов используйте только зарядные устройства **Hilti** серии C4/36.

3.3 Индикатор уровня заряда

Уровень заряда литий-ионного аккумулятора отображается после нажатия кнопки разблокировки.

| Состояние | Значение |
|--------------------------|----------------------------------|
| Горят четыре светодиода. | Уровень заряда: от 75 % до 100 % |
| Горят три светодиода. | Уровень заряда: от 50 % до 75 % |
| Горят два светодиода. | Уровень заряда: от 25 % до 50 % |
| Горит один светодиод. | Уровень заряда: от 10 % до 25 % |
| Мигает один светодиод. | Уровень заряда: < 10 % |



При нажатом выключателе вызов индикации уровня заряда невозможен.

3.4 Комплект поставки

Дрель-шурупверт, руководство по эксплуатации.

- Другие системные принадлежности, допущенные для использования с этим электроинструментом, спрашивайте в сервисном центре **Hilti** или смотрите на сайте www.hilti.group.

4 Технические данные

4.1 Технические данные

| | SFC 14-A | SFC 22-A |
|---|------------------------------|------------------------------|
| Номинальное напряжение | 14,4 В | 21,6 В |
| Масса согласно методу EPTA 01 | 1,5 кг | 2,4 кг |
| Частота вращения на 1-й ступени | 0 об/мин ... 500 об/мин | 0 об/мин ... 600 об/мин |
| Частота вращения на 2-й ступени | 0 об/мин ... 1 700 об/мин | 0 об/мин ... 1 800 об/мин |
| Крутящий момент, макс. | 24 Н·м | 28 Н·м |
| Регулировка крутящего момента (15 ступеней) | 1,5 Н·м ... 10 Н·м | 1,5 Н·м ... 10 Н·м |

4.2 Аккумулятор

| | |
|---|------------------|
| Рабочее напряжение аккумулятора | 14,4 В |
| Температура окружающей среды при эксплуатации | -17 °C ... 60 °C |
| Температура хранения | -20 °C ... 40 °C |
| Температура аккумулятора в начале зарядки | -10 °C ... 45 °C |

4.3 Аккумулятор

| | |
|---|------------------|
| Рабочее напряжение аккумулятора | 21,6 В |
| Температура окружающей среды при эксплуатации | -17 °C ... 60 °C |
| Температура хранения | -20 °C ... 40 °C |
| Температура аккумулятора в начале зарядки | -10 °C ... 45 °C |



4.4 Данные по шуму и вибрациям согласно EN 60745

Приводимые здесь значения уровня звукового давления и вибрации были измерены согласно стандартизированной процедуре измерения и могут использоваться для сравнения электроинструментов между собой. Они также подходят для предварительной оценки вредных воздействий. Указанные данные применимы к основным областям применения электроинструмента. Однако, если электроинструмент используется для других целей, с другими рабочими (сменными) инструментами или в случае его неудовлетворительного технического обслуживания, данные могут быть иными. Вследствие этого в течение всего периода работы электроинструмента возможно значительное увеличение вредных воздействий. Для точного определения вредных воздействий следует также учитывать промежутки времени, в течение которых электроинструмент находится в выключенном состоянии или работает вхолостую. Вследствие этого в течение всего периода работы электроинструмента возможно заметное уменьшение вредных воздействий. Примите дополнительные меры безопасности для защиты пользователя от воздействия возникающего шума и/или вибраций, например: техническое обслуживание электроинструмента и рабочих инструментов, сохранение тепла рук, правильная организация рабочих процессов.

Значения уровня шума

| | SFC 14-A | SFC 22-A |
|--|----------|----------|
| Уровень звукового давления (L_{pA}) | 69 дБ(A) | 69 дБ(A) |
| Погрешность уровня звукового давления (K_{pA}) | 3 дБ(A) | 3 дБ(A) |
| Уровень звуковой мощности | 80 дБ(A) | 80 дБ(A) |
| Погрешность уровня звуковой мощности (K_{WA}) | 3 дБ(A) | 3 дБ(A) |

Общие значения вибрации

| | SFC 14-A | SFC 22-A |
|---|-----------------------|-----------------------|
| Значение вибрации при заворачивании (a_h) | < 2 м/с ² | < 2 м/с ² |
| Погрешность при заворачивании (K) | 1,5 м/с ² | 1,5 м/с ² |
| Сверление в металле (a_h, d) | 2,67 м/с ² | 2,67 м/с ² |
| Погрешность при сверлении в металле (K) | 1,5 м/с ² | 1,5 м/с ² |

5 Подготовка к работе

ОСТОРОЖНО

Опасность травмирования вследствие непреднамеренного пуска!

- ▶ Перед установкой аккумулятора убедитесь в том, что соответствующий электроинструмент выключен.
- ▶ Прежде чем приступить к регулировке электроинструмента или замене принадлежностей выньте аккумулятор из электроинструмента.

Соблюдайте указания по технике безопасности и предупреждающие указания, приводимые в данном документе и на изделии.

5.1 Зарядка аккумулятора

1. Перед зарядкой изучите руководство по эксплуатации зарядного устройства.
2. Убедитесь в том, что контакты аккумулятора и зарядного устройства чистые и сухие.
3. Заряжайте аккумулятор только в допущенном к эксплуатации зарядном устройстве.

5.2 Установка аккумулятора

ОСТОРОЖНО

Опасность травмирования вследствие короткого замыкания или падения аккумулятора!

- ▶ Перед установкой аккумулятора убедитесь в чистоте его контактов и контактов инструмента.
- ▶ Всегда проверяйте, правильно ли зафиксирован аккумулятор.

1. Перед первым вводом в эксплуатацию полностью зарядите аккумулятор.
2. Установите и зафиксируйте аккумулятор в креплении на электроинструменте (при правильной фиксации слышен характерный щелчок).
3. Проверьте надежность фиксации аккумулятора.



5.3 Извлечение аккумулятора

1. Нажмите кнопки (де)блокировки аккумулятора.
2. Извлеките аккумулятор из электроинструмента.

5.4 Установка крепежного крючка (опция) 2



ПРЕДУПРЕЖДЕНИЕ

Опасность травмирования Падение электроинструмента может стать причиной вашего травмирования и травмирования окружающих.

- ▶ Перед началом работы убедитесь в том, что крепежный крючок надежно закреплен.



С помощью крепежного крючка электроинструмент можно закрепить и носить при себе на ремне. Крепежный крючок можно установить как справа, так и слева.

- ▶ Установите крепежный крючок.

5.5 Установка рабочего инструмента

1. Установите переключатель правого/левого вращения в среднее положение или отсоедините аккумулятор от электроинструмента.
2. Проверьте хвостовик рабочего инструмента (он должен быть чистым). При необходимости очистите его.
3. Разблокируйте быстрозажимной патрон.
4. Вставьте рабочий инструмент в быстрозажимной патрон и проверните патрон с небольшим усилием до фиксации рабочего инструмента (будут слышны характерные щелчки).
5. Проверьте надежность фиксации рабочего инструмента.

6 Управление

Соблюдайте указания по технике безопасности и предупреждающие указания, приводимые в данном документе и на изделии.

6.1 Выбор ступени частоты вращения 3

- ▶ Установите нужную ступень частоты вращения.

6.2 Выбор режима правого/левого вращения 4



Переключению при работающем электродвигателе препятствует блокировочный механизм. В среднем положении выключатель заблокирован (блокировка включения).

- ▶ Установите переключатель правого/левого вращения в нужное положение.

6.3 Включение

- ▶ Нажмите выключатель.



Частоту вращения можно плавно регулировать в пределах выбранного диапазона соразмерным нажатием на выключатель.

6.4 Заворачивание

1. Установите с помощью кольца регулировки крутящего момента и выбора режима работы нужный крутящий момент.
2. Установите переключатель правого/левого вращения в нужное положение.

6.5 Сверление

1. Установите кольцо регулировки крутящего момента и установки режима работы на символ .



2. Установите переключатель правого/левого вращения в положение правого вращения.

6.6 Выключение

- ▶ Отпустите выключатель.

6.7 Извлечение рабочего инструмента

1. Установите переключатель правого/левого вращения в среднее положение или отсоедините аккумулятор от электроинструмента.
2. Разблокируйте быстрозажимной патрон.
3. Извлеките рабочий инструмент из быстрозажимного патрона.

7 Уход и техническое обслуживание

ПРЕДУПРЕЖДЕНИЕ

Опасность травмирования при установленном аккумуляторе !

- ▶ Перед проведением любых работ по уходу и обслуживанию всегда извлекайте аккумулятор!

Уход за электроинструментом

- Осторожно удаляйте налипшую грязь.
- Осторожно очищайте вентиляционные прорези сухой щеткой.
- Очищайте корпус только с использованием слегка увлажненной ткани. Не используйте средства по уходу с содержанием силикона, так как они могут повредить пластмассовые детали.

Уход за литий-ионными аккумуляторами

- Аккумулятор должен быть чистым, без следов масла и смазки.
- Очищайте корпус только с помощью слегка увлажненной ткани. Не используйте средства по уходу с содержанием силикона, так как они могут повредить пластмассовые детали.
- Не допускайте попадания влаги внутрь инструмента.

Техническое обслуживание

- Регулярно проверяйте все видимые части электроинструмента на отсутствие повреждений, а элементы управления — на исправное функционирование.
- При повреждениях и/или функциональных сбоях не используйте электроинструмент. Сразу сдавайте его в сервисный центр **Hilti** для ремонта.
- После ухода за электроинструментом и его технического обслуживания установите все защитные приспособления на место и проверьте их исправное функционирование.



Для обеспечения безопасной эксплуатации используйте только оригинальные запасные части и расходные материалы. Допущенные нами запасные части, расходные материалы и принадлежности для данного устройства вы можете найти в **Hilti Store** или на сайте **www.hilti.group**.

8 Транспортировка и хранение аккумуляторных электроинструментов

Транспортировка

ОСТОРОЖНО

Непреднамеренное включение в ходе транспортировки !

- ▶ При транспортировке своих электроинструментов всегда отсоединяйте от них аккумуляторы!
- ▶ Извлеките аккумуляторы.
- ▶ Категорически запрещается транспортировать аккумуляторы без упаковки (бестарным способом).
- ▶ После продолжительной транспортировки проверяйте электроинструмент и аккумуляторы перед использованием на отсутствие повреждений.

Хранение

ОСТОРОЖНО

Непреднамеренное повреждение вследствие неисправных или протекающих аккумуляторов !

- ▶ При хранении своих электроинструментов всегда отсоединяйте от них аккумуляторы!
- ▶ По возможности храните электроинструмент и аккумуляторы в сухом и прохладном месте.



- ▶ Никогда не оставляйте аккумуляторы на солнце, на нагревательных/отопительных элементах или за стеклом.
- ▶ Храните электроинструмент и аккумуляторы в сухом виде в недоступном для детей и других лиц, не допущенных к работе с электроинструментом, месте.
- ▶ После длительного хранения перед использованием проверяйте электроинструмент и аккумуляторы на отсутствие повреждений.

9 Помощь при неисправностях

9.1 Помощь при неисправностях

В случае неисправностей, которые не указаны в этой таблице или которые вы не можете устранить самостоятельно, обращайтесь в ближайший сервисный центр **Hilti**.

| Неисправность | Возможная причина | Решение |
|--|--|--|
| Электроинструмент не функционирует. | Аккумулятор вставлен не полностью. | ▶ Установите аккумулятор с характерным (двойным) щелчком. |
| | Аккумулятор разряжен. | ▶ Замените аккумулятор и зарядите разряженный аккумулятор. |
| | Электрическая неисправность | ▶ Отсоедините аккумулятор от электроинструмента и свяжитесь с сервисной службой Hilti . |
| Электроинструмент не функционирует, мигает один светодиод. | Аккумулятор разряжен. | ▶ Замените аккумулятор и зарядите разряженный аккумулятор. |
| | Аккумулятор слишком холодный/слишком горячий | ▶ Обеспечьте повышение/понижение температуры аккумулятора до рекомендованной рабочей температуры. |
| Не включается/заблокирован выключатель. | Переключатель правого/левого вращения находится в среднем положении. | ▶ Переведите переключатель правого/левого вращения в левое или правое положение. |
| Светодиод 1 мигает | Аккумулятор разряжен. | ▶ Замените аккумулятор и зарядите разряженный аккумулятор. |
| | Электроинструмент перегружен (работа за пределами эксплуатационных характеристик). | ▶ Перед проведением любых работ соблюдайте эксплуатационные характеристики вашего электроинструмента. См. технические данные. |
| Аккумулятор разряжается быстрее, чем обычно. | Очень низкая температура окружающей среды. | ▶ Обеспечьте постепенный нагрев аккумулятора до комнатной температуры. |
| При установке аккумулятора не слышно характерного (двойного) щелчка. | Грязь на фиксирующих выступах аккумулятора | ▶ Очистите фиксирующие выступы и вставьте аккумулятор с фиксацией. Если проблема не устранена, обратитесь в сервисный центр Hilti . |

10 Утилизация

Большинство материалов, из которых изготовлены изделия **Hilti**, подлежит вторичной переработке. Перед утилизацией следует тщательно рассортировать материалы (для удобства их последующей переработки). Во многих странах фирма **Hilti** уже организовала прием бывших в использовании электрических и электронных устройств для утилизации. Дополнительную информацию по этому



вопросу можно получить в отделе по обслуживанию клиентов или у консультантов по продажам фирмы Hilti.

Утилизация аккумуляторов

Вследствие выхода газов или жидкостей при неправильной утилизации аккумуляторов возможна угроза для здоровья.

- ▶ Не пересылайте поврежденные аккумуляторы!
- ▶ Закрывайте аккумуляторные контакты не проводящим ток материалом, чтобы избежать коротких замыканий.
- ▶ Утилизируйте аккумуляторы так, чтобы исключить их попадание в руки детей.
- ▶ Утилизируйте аккумулятор через ближайший **Hilti Store** или обратитесь в специализированную фирму по утилизации.



- ▶ Не выбрасывайте электрические инструменты, электронные устройства/приборы и аккумуляторы вместе с обычным мусором!

11 China RoHS (Директива об ограничении применения опасных веществ)

По этим ссылкам доступна таблица опасных веществ: qr.hilti.com/r4793 (SFC 14-A) и qr.hilti.com/r4833 (SFC 22-A).

Ссылку в виде QR-кода на таблицу опасных веществ согласно директиве RoHS см. в конце настоящего документа.

12 Гарантия производителя

- ▶ С вопросами относительно гарантийных условий обращайтесь в ближайшее представительство Hilti.

Оригінальна інструкція з експлуатації

1 Інформація про документацію

1.1 Інформація про цей документ

- Перш ніж розпочинати роботу з інструментом, прочитайте цей документ. Це є передумовою безпечної роботи та відсутності несправностей під час застосування інструмента.
- Дотримуйтеся попереджувальних вказівок та вказівок з техніки безпеки, наведених у цьому документі та на корпусі інструмента.
- Завжди зберігайте інструкцію з експлуатації поблизу інструмента та передавайте інструмент іншим особам лише разом з інструкцією.

1.2 Пояснення символів

1.2.1 Попереджувальні вказівки

Попереджувальні вказівки інформують користувача про фактори небезпеки, пов'язані із застосуванням інструмента. Використовуються такі сигнальні слова:

НЕБЕЗПЕКА

НЕБЕЗПЕКА !

- ▶ Указує на безпосередню небезпеку, що може призвести до отримання тяжких тілесних ушкоджень або навіть до смерті.

ПОПЕРЕДЖЕННЯ

ПОПЕРЕДЖЕННЯ !

- ▶ Указує на потенційно небезпечну ситуацію, яка може призвести до отримання тяжких тілесних ушкоджень або навіть смерті.



ОБЕРЕЖНО

ОБЕРЕЖНО !

- ▶ Указує на потенційно небезпечну ситуацію, яка може призвести до отримання легких тілесних ушкоджень та до матеріальних збитків.

1.2.2 Символи у документі

У цьому документі використовуються такі символи:

| | |
|--|---|
| | Перед використанням прочитайте інструкцію з експлуатації |
| | Указівки щодо експлуатації та інша корисна інформація |
| | Поводження з матеріалами, придатними для вторинної переробки |
| | Не викидайте електроінструменти і акумуляторні батареї у баки для побутового сміття |

1.2.3 Символи на ілюстраціях

На ілюстраціях використовуються такі символи:

| | |
|--|---|
| | Цифрами позначаються відповідні ілюстрації, наведені на початку цієї інструкції |
| | Нумерація відображає послідовність робочих кроків на ілюстраціях та може відрізнятися від нумерації у тексті |
| | Номера позицій, наведені на оглядовій ілюстрації , відповідають номерам у легенді, що представлена у розділі « Огляд продукту » |
| | Цей символ позначає аспекти, на які слід звернути особливу увагу під час застосування інструмента. |

1.3 Символи, що обумовлені типом інструмента

1.3.1 Символи на інструменті

На інструменті наведені такі символи:

| | |
|--------|--|
| | Безударне свердління |
| /min | Кількість обертів на хвилину |
| n_0 | Номінальна швидкість обертання під час холостого ходу |
| | Постійний струм |
| Li-Ion | Літій-іонна акумуляторна батарея |
| | Використовуваний тип літій-іонної акумуляторної батареї Hilti . Дотримуйтеся вказівок, наведених у розділі « Використання за призначенням ». |
| | Інструмент підтримує бездротову передачу даних та є сумісним із платформами iOS та Android. |
| | Ніколи не використовуйте акумуляторну батарею у якості ударного інструмента. |
| | Не допускайте падіння акумуляторної батареї. Не використовуйте акумуляторну батарею, яка зазнала ударного навантаження або була пошкоджена іншим чином. |

1.4 Інформація про інструмент

Інструменти призначені для професійного використання, а тому їхню експлуатацію, технічне обслуговування та ремонт слід доручати лише авторизованому персоналу зі спеціальною підготовкою. Цей персонал повинен бути спеціально проінструктований про можливі ризики. Інструмент та допомі-



2073071

Українська

99

жне приладдя можуть стати джерелом небезпеки у разі їхнього неправильного застосування некваліфікованим персоналом або у разі використання не за призначенням.

Тип та серійний номер зазначені на заводській таблиці.

- ▶ Перепишіть серійний номер у наведену нижче таблицю. При оформленні запитів до нашого представництва та до сервісної служби вказуйте інформацію про інструмент.

Інформація про інструмент → стор. 100

Інформація про інструмент

| | |
|---------------------------|----------------------|
| Акумуляторний шурупокрут: | SFC 22-A SFC 14-A |
| Версія: | 01 |
| Серійний номер: | |

1.5 Сертифікат відповідності

Зі всією належною відповідальністю заявляємо, що описаний у цьому документі інструмент відповідає діючим директивам і стандартам. Копія сертифіката відповідності наведена у кінці цього документа.

Технічна документація зазначена нижче:

Hilti Entwicklungsgesellschaft mbH | Zulassung Geräte | Hiltistraße 6 | 86916 Kaufering, DE

2 Безпека

2.1 Загальні вказівки з техніки безпеки при роботі з електроінструментами

⚠ ПОПЕРЕДЖЕННЯ! Уважно прочитайте усі вказівки та інструкції з техніки безпеки. Щонайменше недотримання вказівок та інструкцій з техніки безпеки може призвести до ураження електричним струмом, займання та/або отримання тяжких травм.

Збережіть всі інструкції та вказівки з техніки безпеки – вони можуть знадобитися Вам у майбутньому.

Безпека на робочому місці

- ▶ **Дбайте про чистоту та достатнє освітлення робочого місця.** Безлад на робочому місці та недостатнє освітлення можуть стати причиною нещасних випадків.
- ▶ **Не працюйте з електроінструментом у вибухонебезпечному середовищі, що містить легкозаймісті рідини, газу або пил.** Під час роботи електроінструментів утворюються іскри, від яких можуть зайнятися легкозаймісті випари або пил.
- ▶ **Подбайте про те, щоб під час використання електроінструмента поблизу не було дітей та сторонніх осіб.** Щонайменше відволікання може призвести до втрати контролю над інструментом.

Електрична безпека

- ▶ **Під час роботи не торкайтеся заземлених поверхонь, наприклад труб, радіаторів опалення, печей та холодильників.** Якщо Ваше тіло перебуває в контакті із системою заземлення, існує підвищений ризик ураження електричним струмом.
- ▶ **Захищайте електроінструменти від дощу та вологи.** У разі проникнення води в електроінструмент підвищується ризик ураження електричним струмом.

Безпека персоналу

- ▶ **Будьте уважними, зосередьтеся на виконуваній операції, до роботи з електроінструментом ставтеся серйозно. Не користуйтеся електроінструментом, якщо Ви втомлені або перебуваєте під дією наркотичних речовин, алкоголю або лікарських засобів.** Під час роботи з електроінструментом не відволікайтеся ні на мить, оскільки це може призвести до отримання серйозних травм.
- ▶ **Використовуйте засоби індивідуального захисту і завжди надягайте захисні окуляри.** Використання засобів індивідуального захисту, наприклад респіратору, захисного взуття на нековзній підшві, захисного шолома або шумозахисних навушників – залежно від різновиду електроінструмента та особливостей його застосування – зменшує ризик травмування.
- ▶ **Уникайте випадкового вмикання електроінструмента. Переконайтеся в тому, що електроінструмент вимкнений, перш ніж приєднувати акумулятор, піднімати електроінструмент або переносити його.** Якщо під час перенесення електроінструмента тримати палець на вимикачі або приєднувати інструмент до джерела живлення увімкненим, це може призвести до нещасного випадку.
- ▶ **Перш ніж вмикати електроінструмент, від'єднайте від нього все налагоджувальне приладдя або гайкові ключі.** Приладдя або ключ, що знаходяться в обертовому вузлі інструмента, можуть стати причиною отримання травм.



- ▶ Уникайте виконання роботи в незручній позі. Під час виконання робіт ставайте в стійку позу і намагайтеся повсякчас утримувати рівновагу. Це дозволить Вам більш упевнено контролювати електроінструмент у разі виникнення несподіваних обставин.
- ▶ Надягайте відповідний робочий одяг. Не надягайте для роботи занадто просторий одяг та прикраси. Слідкуйте за тим, щоб волосся, одяг та робочі рукавиці знаходилися подалі від обертових частин інструмента. Просторий одяг, прикраси або довге волосся можуть бути захоплені рухомими частинами інструмента.
- ▶ Якщо передбачена можливість установлення системи пиловидалення та пилозбірників, обов'язково переконайтеся в тому, що вони правильно приєднані й використовуються належним чином. Застосування системи видалення пилу дозволяє зменшити негативний вплив пилу на персонал.

Використання електроінструмента та належний догляд за ним

- ▶ Не допускайте перенавантаження інструмента. Завжди використовуйте електроінструмент, призначений для виконання відповідної роботи. При використанні належного електроінструмента забезпечуються більш висока якість та безпека виконання робіт у вказаному діапазоні продуктивності.
- ▶ Не використовуйте електроінструмент із пошкодженим вимикачем. Електроінструмент, який неможливо вмикати або вимикати, є небезпечним і підлягає ремонту.
- ▶ Від'єднайте від інструмента акумуляторну батарею, перш ніж розпочинати налаштування інструмента, замінювати приладдя або робити перерву в роботі. Такий запобіжний захід допоможе уникнути випадкового вмикання електроінструмента.
- ▶ Електроінструменти, що не використовуються, зберігайте в недоступному для дітей місці. Не дозволяйте користуватися інструментом особам, які не ознайомлені з інструментом або не читали ці інструкції. У руках недосвідчених людей електроінструменти являють собою серйозну небезпеку.
- ▶ Дбайливо доглядайте за електроінструментом. Ретельно перевіряйте, чи бездоганно працюють та чи не заклинюють рухомі частини, чи не зламалися або не зазнали інших пошкоджень деталі, від яких залежить справна робота електроінструмента. Перед початком роботи з інструментом пошкоджені деталі слід відремонтувати. Багатьох нещасних випадків можна уникнути за умови належного технічного обслуговування електроінструментів.
- ▶ Слідкуйте за тим, щоб ріжучі інструменти завжди залишалися чистими та належним чином заточеними. Дбайливо доглянутий ріжучий інструмент із гострими різальними кромками не так часто заклинюється, і з ним легше працювати.
- ▶ Під час експлуатації електроінструмента, приладдя до нього, робочих інструментів тощо дотримуйтеся наведених у цьому документі вказівок. При цьому завжди враховуйте умови в місці виконання робіт та дії, яких вимагає поставлене завдання. Використання електроінструментів не за призначенням може призвести до виникнення небезпечних ситуацій.

Використання акумуляторного інструмента та належний догляд за ним

- ▶ Для заряджання акумуляторних батарей застосовуйте лише зарядні пристрої, рекомендовані виробником. Зарядний пристрій, придатний для заряджання акумуляторних батарей певного типу, може спричинити пожежу, якщо його застосовувати для заряджання акумуляторних батарей інших типів.
- ▶ Для живлення електроінструментів застосовуйте лише спеціально призначені для цього акумуляторні батареї. Застосування інших акумуляторних батарей може призвести до отримання травм і виникнення пожежі.
- ▶ Акумуляторну батарею, яка не використовується, тримайте подалі від канцелярських скріпок, монет, ключів, цвяхів, гвинтів та інших дрібних металевих предметів, які могли б спричинити коротке замикання її контактів. Коротке замикання контактів акумуляторної батареї може призвести до отримання опіків або до виникнення пожежі.
- ▶ У разі неправильного застосування з акумуляторної батареї може пролитися рідина. Уникайте контакту з нею. Пролита з акумуляторної батареї рідина може призвести до подразнення шкіри або отримання опіків. У разі випадкового контакту зі шкірою негайно промийте уражене місце достатньою кількістю води. Якщо рідина потрапила в очі, рекомендується додатково звернутися по лікарську допомогу.

Сервісне обслуговування

- ▶ Доручайте ремонт електроінструмента лише кваліфікованому персоналу зі спеціальною підготовкою за умови використання тільки оригінальних запасних частин. Це забезпечить функціональність електроінструмента.



2.2 Указівки з техніки безпеки при роботі з буровими машинами

- ▶ Використовуйте додаткові рукоятки, що входять до комплекту постачання інструмента. Адже втрата контролю над інструментом може стати причиною травмування.
- ▶ Якщо під час виконання робіт змінний робочий інструмент може натрапити на приховану електропроводку, утримуйте інструмент за ізольовані поверхні рукояток. У разі контакту з електричним дротом, який знаходиться під напругою, металеві деталі інструмента також потраплять під напругу, а це може призвести до ураження електричним струмом.

2.3 Додаткові вказівки з техніки безпеки, що мають застосовуватися під час використання шурупокрута

Безпека персоналу

- ▶ Користуйтеся лише повністю справним інструментом.
- ▶ Вносити будь-які зміни до конструкції інструмента заборонено.
- ▶ Використовуйте додаткові рукоятки, що входять до комплекту постачання інструмента. Втрата контролю над інструментом може стати причиною травмування.
- ▶ Завжди міцно тримайте інструмент обома руками за передбачені для цього рукоятки. Слідкуйте за тим, щоб рукоятки були сухими та чистими.
- ▶ Уникайте контакту з деталями інструмента, що обертаються. Існує ризик отримання травм!
- ▶ Під час роботи з інструментом використовуйте захисні окуляри, шолом, навушники, робочі рукавиці та легкий респіратор.
- ▶ Під час заміни змінного робочого інструмента також користуйтеся захисними рукавицями. Контакт зі змінним робочим інструментом може призвести до отримання порізів або опіків.
- ▶ Використовуйте захисні окуляри. Уламки матеріалу можуть завдати поранень або пошкодити очі.
- ▶ Перш ніж розпочинати роботу, з'ясуйте клас небезпеки пилу, що при цьому буде утворюватися. Використовуйте будівельний пиლოსос затвердженого класу захисту, що відповідає місцевим вимогам щодо захисту від пилу. Пил, що містить такі матеріали, як фарби із вмістом свинцю, тирсу деяких порід деревини, бетон, цеглу, кварцові гірські породи і мінерали, а також метал, може бути шкідливим для здоров'я.
- ▶ Подбайте про належну вентиляцію робочого місця та користуйтеся респіратором, який підходить до матеріалу, що обробляється. У разі контакту з таким пилом або при його вдиханні у користувача електроінструмента та у людей, що знаходяться поруч, можуть виникнути алергійні реакції та/або захворювання дихальних шляхів. Деякі різновиди пилу, наприклад деревини дуба і бука, вважаються канцерогенними, особливо у поєднанні з речовинами для обробки деревини (хроматом, засобами для захисту деревини). До обробки матеріалів, що містять азбест, допускаються лише фахівці зі спеціальною підготовкою.
- ▶ Працюйте з перервами та виконуйте вправи на розминання пальців, щоб покращити кровообіг у них. Під час довготривалих робіт вібрація може пошкодити судини або нерви у пальцях, руках або зап'ясткових суглобах.

Електрична безпека

- ▶ Перед початком роботи перевіряйте робоче місце на наявність прихованих електричних кабелів, газових та водопровідних труб. Якщо Ви під час роботи випадково пошкодите електричні кабелі, контакт з відкритими металевими деталями інструмента може спричинити ураження електричним струмом.

Належне використання електроінструментів та дбайливий догляд за ними

- ▶ Якщо сталося блокування змінного робочого інструмента, негайно вимкніть інструмент. Інструмент може відхилитися вбік.
- ▶ Зачекайте, доки змінний робочий інструмент повністю зупиниться, перш ніж знімати його з оброблюваного об'єкту.

2.4 Застосування акумуляторних батарей та дбайливий догляд за ними

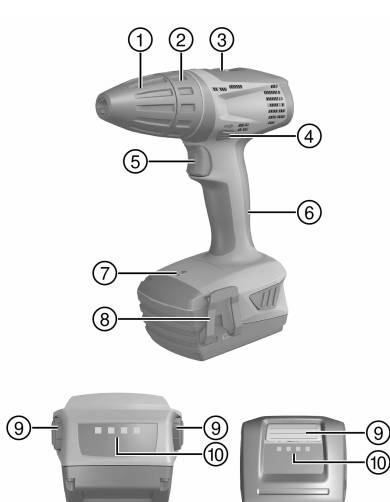
- ▶ Дотримуйтеся також особливих указівок щодо транспортування, складського зберігання та застосування літій-іонних акумуляторних батарей.
- ▶ Не піддавайте акумуляторні батареї впливу високих температур, прямих сонячних променів та відкритого вогню.
- ▶ Акумуляторні батареї забороняється розбирати, роздавлювати, нагрівати до температури понад 80 °C або спалювати.



- ▶ Не використовуйте та не заряджайте акумуляторні батареї, які зазнали впливу ударного навантаження, впали з висоти більше одного метра або були пошкоджені іншим чином. У разі виникнення такої ситуації завжди звертайтеся до **сервісної служби** компанії **Hilti**.
- ▶ Якщо акумуляторна батарея гаряча на дотик, вона може бути пошкоджена. Залиште інструмент у захищеному від вогню місці на достатній відстані від горючих матеріалів, де за ним можна спостерігати, і дайте йому охолонути. У разі виникнення такої ситуації завжди звертайтеся до **сервісної служби** компанії **Hilti**.

3 Опис

3.1 Огляд інструмента



- Швидкозатискна втулка
- Регульовальне кільце для встановлення обертового моменту та режиму роботи
- Двопозиційний перемикач швидкості
- Перемикач напрямку обертання за годинниковою стрілкою/проти годинникової стрілки із блокуванням увімкнення
- Вимикач (із електронним регулятором числа обертів)
- Рукоятка
- Ліхтар
- Поясний гачок (опція)
- Деблокувальні кнопки із додатковою функцією активації індикатора стану заряду батареї живлення
- Індикатор стану заряду та несправності (літій-іонна акумуляторна батарея)

3.2 Використання за призначенням

Описаний у цьому документі інструмент являє собою ручний акумуляторний шурупокрут. Він призначений для загвинчування і розгвинчування гвинтів, а також для свердління отворів у сталі, деревині та пластмасі.

- ▶ Використовуйте із цим інструментом лише літій-іонні акумуляторні батареї **Hilti** типу B14 і B22.
- ▶ Для заряджання цих акумуляторних батарей використовуйте тільки зарядні пристрої **Hilti** типу C4/36.

3.3 Індикатор стану заряду

Щоб відобразити стан заряду літій-іонної акумуляторної батареї, слід злегка натиснути її деблокувальну кнопку.

| Стан | Значення |
|-----------------------|--------------------------------|
| 4 світлодіоди горять. | Стан заряду: від 75 % до 100 % |
| 3 світлодіоди горять. | Стан заряду: від 50 % до 75 % |
| 2 світлодіоди горять. | Стан заряду: від 25 % до 50 % |
| 1 світлодіод горить. | Стан заряду: від 10 % до 25 % |
| 1 світлодіод мигає. | Стан заряду: < 10 % |



Якщо вимикач інструмента натиснутий, перевірка стану заряду акумуляторної батареї неможлива.



3.4 Комплект постачання

Шурупокрут, інструкція з експлуатації.

- З іншими приладами, допущеними до експлуатації з Вашим інструментом, Ви можете ознайомитися у найближчому сервісному центрі **Hilti** або на веб-сайті **www.hilti.group**.

4 Технічні дані

4.1 Технічні дані

| | SFC 14-A | SFC 22-A |
|---|----------------------------|----------------------------|
| Номінальна напруга | 14,4 В | 21,6 В |
| Маса згідно з процедурою ЕРТА 01 | 1,5 кг | 2,4 кг |
| Частота обертання на 1-й швидкості | 0 об/хв ... 500 об/хв | 0 об/хв ... 600 об/хв |
| Частота обертання на 2-й швидкості | 0 об/хв ... 1 700 об/хв | 0 об/хв ... 1 800 об/хв |
| Обертний момент (макс.) | 24 Н·м | 28 Н·м |
| Установлення обертного моменту (15-ступінчасте) | 1,5 Н·м ... 10 Н·м | 1,5 Н·м ... 10 Н·м |

4.2 Акумуляторна батарея

| | |
|---|------------------|
| Робоча напруга акумуляторної батареї | 14,4 В |
| Температура навколишнього середовища під час роботи | -17 °C ... 60 °C |
| Температура зберігання | -20 °C ... 40 °C |
| Температура акумуляторної батареї на початку процесу заряджання | -10 °C ... 45 °C |

4.3 Акумуляторна батарея

| | |
|---|------------------|
| Робоча напруга акумуляторної батареї | 21,6 В |
| Температура навколишнього середовища під час роботи | -17 °C ... 60 °C |
| Температура зберігання | -20 °C ... 40 °C |
| Температура акумуляторної батареї на початку процесу заряджання | -10 °C ... 45 °C |

4.4 Дані про шум та значення вібрації, виміряні згідно зі стандартом EN 60745

Наведені у цих рекомендаціях значення звукового тиску та вібрації були виміряні згідно з установленою процедурою вимірювання та можуть використовуватися для порівняння електроінструментів. Вони також придатні для попереднього оцінювання шумового та вібраційного навантаження. Наведені дані обумовлюють переважні сфери застосування електроінструмента. Однак якщо Ви використовуєте його не за призначенням, застосовуєте нестандартне приладдя або неналежним чином здійснюєте догляд за інструментом, ці дані можуть відрізнитися від вказаних значень. Це може призвести до помітного збільшення шумового та вібраційного навантаження протягом усього робочого часу. Для більш точної оцінки шумового та вібраційного навантаження необхідно враховувати також проміжки часу, протягом яких інструмент залишається вимкненим або працює на холостому ходу. Це може значно зменшити вібраційне та шумове навантаження протягом усього робочого часу. Необхідно також вживати додаткових заходів безпеки з метою захисту працівників від дії шуму та/або вібрації, зокрема: проводити своєчасне технічне обслуговування електроінструмента та змінних робочих інструментів до нього, утримувати руки у теплі, належним чином організувати робочий процес.

Рівень шуму

| | SFC 14-A | SFC 22-A |
|---|----------|----------|
| Рівень звукового тиску (L_{pA}) | 69 дБ(A) | 69 дБ(A) |
| Похибка для рівня звукового тиску (K_{pA}) | 3 дБ(A) | 3 дБ(A) |
| Рівень шумової потужності | 80 дБ(A) | 80 дБ(A) |
| Похибка для рівня шумової потужності (K_{WA}) | 3 дБ(A) | 3 дБ(A) |



Сумарне значення вібрації

| | SFC 14-A | SFC 22-A |
|---|-----------------------|-----------------------|
| Рівень вібрації, що створюється під час загвинчування гвинтів ($a_{h,v}$) | < 2 м/с ² | < 2 м/с ² |
| Похибка для загвинчування гвинтів (К) | 1,5 м/с ² | 1,5 м/с ² |
| Свердління отворів у металі ($a_{h,d}$) | 2,67 м/с ² | 2,67 м/с ² |
| Похибка для свердління отворів у металі (К) | 1,5 м/с ² | 1,5 м/с ² |

5 Підготовка до роботи

ОБЕРЕЖНО

Ризик отримання травм внаслідок непередбаченого увімкнення інструмента!

- ▶ Перш ніж установлювати акумуляторну батарею, переконайтеся, що відповідний інструмент вимкнений.
- ▶ Від'єднайте акумуляторну батарею, перш ніж задавати налаштування інструмента або замінити приладдя.

Дотримуйтеся попереджувальних вказівок та вказівок з техніки безпеки, наведених у цьому документі та на корпусі інструмента.

5.1 Заряджання акумуляторної батареї

1. Перед заряджанням акумуляторної батареї прочитайте інструкцію з експлуатації зарядного пристрою.
2. Контакти акумуляторної батареї та зарядного пристрою повинні бути чистими та сухими.
3. Заряджайте акумуляторну батарею тільки за допомогою тих зарядних пристроїв, які допущені до застосування з нею.

5.2 Установлення акумуляторної батареї

ОБЕРЕЖНО

Ризик отримання травм внаслідок короткого замикання або падіння акумуляторної батареї!

- ▶ Перш ніж установлювати акумуляторну батарею, переконайтеся, що на контактах батареї та інструмента немає сторонніх предметів.
- ▶ Завжди перевіряйте, щоб акумуляторна батарея була правильно зафіксована.

1. Перед першим використанням акумуляторну батарею слід повністю зарядити.
2. Уставте акумуляторну батарею у тримач на інструменті таким чином, щоб вона зафіксувалася із чітким характерним звуком.
3. Переконайтеся, що акумуляторна батарея надійно зафіксована в інструменті.

5.3 Виймання акумуляторної батареї

1. Натисніть на деблокувальні кнопки акумуляторної батареї.
2. Дістаньте акумуляторну батарею з інструмента.

5.4 Установлення поясного гачка (опція)

ПОПЕРЕДЖЕННЯ

Ризик отримання травм. Падіння інструмента може становити небезпеку для Вас та інших осіб.

- ▶ Перш ніж розпочинати роботу, перевірте, чи надійно закріплено поясний гачок.



За допомогою поясного гачка інструмент можна зручно носити на поясі. Поясний гачок підходить для встановлення як з правого, так і з лівого боку.

- ▶ Установіть поясний гачок.



2073071

Українська

105

5.5 Установлення змінного робочого інструмента

1. Переведіть перемикач напрям обертання за годинниковою стрілкою/проти годинникової стрілки в середнє положення або від'єднайте акумуляторну батарею від інструмента.
2. Переконайтеся, що хвостовик змінного робочого інструмента чистий. У разі необхідності прочистіть хвостовик.
3. Відкрийте швидкозатискну втулку.
4. Уставте змінний робочий інструмент у швидкозатискну втулку і закручіть її, доки не почуєте багаторазове механічне клацання.
5. Перевірте надійність кріплення змінного робочого інструмента.


6 Експлуатація

Дотримуйтеся попереджувальних вказівок та вказівок з техніки безпеки, наведених у цьому документі та на корпусі інструмента.

6.1 Вибір швидкості

- ▶ Виберіть швидкість.


6.2 Налаштування обертання за годинниковою стрілкою/проти годинникової стрілки

 Блокувальний пристрій не дозволяє перемикати напрям обертання під час роботи двигуна. У середньому положенні перемикач заблокований (функція блокування увімкнена).

- ▶ Установіть перемикач напрям обертання за годинниковою стрілкою/проти годинникової стрілки у потрібне положення.

6.3 Увімкнення


- ▶ Натисніть на вимикач інструмента.

 Змінюючи силу натискання на вимикач, Ви можете плавно підвищувати швидкість обертання до максимального значення.

6.4 Загвинчування

1. За допомогою регульовального кільця для встановлення обертового моменту та режиму роботи виберіть потрібний обертовий момент.
2. Установіть перемикач напрям обертання за годинниковою стрілкою/проти годинникової стрілки у потрібне положення.

6.5 Свердління

1. Переведіть регульовальне кільце для встановлення обертового моменту та режиму роботи у положення .
2. Налаштуйте перемикач напрям обертання за годинниковою стрілкою/проти годинникової стрілки на обертання за годинниковою стрілкою.

6.6 Вимикання інструмента

- ▶ Відпустіть вимикач.

6.7 Виймання змінного робочого інструмента

1. Переведіть перемикач напрям обертання за годинниковою стрілкою/проти годинникової стрілки в середнє положення або від'єднайте акумуляторну батарею від інструмента.
2. Відкрийте швидкозатискну втулку.
3. Дістаньте змінний робочий інструмент із швидкозатискної втулки.



7 Догляд і технічне обслуговування

ПОПЕРЕДЖЕННЯ

Небезпека травмування під час виконання робіт на інструменті з установленою акумуляторною батареєю !

- ▶ Завжди діставайте з інструмента акумуляторну батарею, перш ніж розпочинати будь-які роботи з догляду та технічного обслуговування!

Догляд за інструментом

- Обережно видаляйте накопичення бруду.
- Обережно прочищайте вентиляційні прорізи сухою щіткою.
- Протирайте корпус вологою тканиною. Забороняється використовувати миючі засоби, що містять силікон, оскільки вони можуть пошкодити пластмасові деталі.

Догляд за літій-іонними акумуляторними батареями

- Тримайте акумуляторну батарею у чистоті, не допускайте її забруднення мастильними матеріалами.
- Протирайте корпус вологою тканиною. Забороняється використовувати миючі засоби, що містять силікон, оскільки вони можуть пошкодити пластмасові деталі.
- Уникайте потрапляння вологи всередину інструмента.

Технічне обслуговування

- Регулярно перевіряйте усі зовнішні частини на наявність пошкоджень, а органи керування інструмента – на предмет справної роботи.
- Якщо Ви виявили пошкодження та/або порушення функціональності інструмента, припиніть його використання. негайно зверніться до сервісної служби компанії **Hilti** для здійснення ремонту.
- Після проведення догляду і технічного обслуговування встановіть усі захисні пристрої та перевірте їхню роботу.



Щоб гарантувати належну роботу інструмента, використовуйте тільки оригінальні запасні частини та видаткові матеріали. Рекомендовані запасні частини, видаткові матеріали та приладдя для Вашого інструмента Ви можете придбати у найближчому магазині **Hilti Store** або на веб-сайті www.hilti.group.

8 Транспортування і зберігання акумуляторних інструментів

Транспортування

ОБЕРЕЖНО

Непередбачене увімкнення інструмента під час транспортування !

- ▶ На час транспортування завжди діставайте з інструмента акумуляторну батарею!
- ▶ Вийміть акумуляторні батареї.
- ▶ Не слід перевозити акумуляторні батареї у незапакованому вигляді.
- ▶ Перш ніж використовувати інструмент та акумуляторні батареї після дальніх перевезень, їх слід перевірити на наявність пошкоджень.

Зберігання

ОБЕРЕЖНО

Непередбачене пошкодження інструмента через несправність акумуляторної батареї або через виток електrolіту з акумуляторної батареї !

- ▶ На час зберігання завжди діставайте з інструмента акумуляторну батарею!
- ▶ Зберігайте інструмент та акумуляторні батареї у якомога більш прохолодному та сухому місці.
- ▶ Забороняється зберігати акумуляторні батареї на сонці, на опалювальних приладах або на підвіконні.
- ▶ Зберігайте інструмент та акумуляторні батареї у сухому місці, недоступному для дітей та сторонніх осіб.
- ▶ Перш ніж використовувати інструмент та акумуляторні батареї після довгого зберігання, їх слід перевірити на наявність пошкоджень.



9 Допомога у разі виникнення несправностей

9.1 Допомога у разі виникнення несправностей

У разі виникнення несправностей, які не зазначені у цій таблиці або які Ви не можете полагодити самостійно, зверніться до сервісної служби компанії **Hilti**.

| Несправність | Можлива причина | Рішення |
|--|---|--|
| Інструмент не працює. | Акумуляторна батарея встановлена в інструмент не до кінця. | ▶ Зафіксуйте акумуляторну батарею із чітко відчутним подвійним клацанням. |
| | Акумуляторна батарея розряджена. | ▶ Замініть акумуляторну батарею та зарядіть розряджену акумуляторну батарею. |
| | Електрична несправність. | ▶ Від'єднайте акумуляторну батарею від інструмента та зверніться до сервісного центру компанії Hilti . |
| Інструмент не працює, і мигає один світлодіод. | Акумуляторна батарея розряджена. | ▶ Замініть акумуляторну батарею та зарядіть розряджену акумуляторну батарею. |
| | Акумуляторна батарея занадто гаряча або холодна. | ▶ Зачекайте, доки акумуляторна батарея не нагріється або не охолоне до належної робочої температури. |
| Вимикач неможливо натиснути, або він заблокований. | Перемикач напряму обертання за годинниковою стрілкою/проти годинникової стрілки знаходиться у середньому положенні. | ▶ Переведіть перемикач напряму обертання за годинниковою стрілкою/проти годинникової стрілки в праве або в ліве положення. |
| Світлодіод 1 мигає | Акумуляторна батарея розряджена. | ▶ Замініть акумуляторну батарею та зарядіть розряджену акумуляторну батарею. |
| | Інструмент перенавантажений (перевищене максимально припустиме навантаження). | ▶ Перш ніж розпочинати роботу, зверніть увагу на показники потужності інструмента. Вони наведені у технічних даних. |
| Акумуляторна батарея розряджається швидше, ніж звичайно. | Занадто низька температура навколишнього середовища. | ▶ Зачекайте, доки акумуляторна батарея повільно нагріється до кімнатної температури. |
| Акумуляторна батарея не зафіксується із чітко відчутним подвійним клацанням. | Фіксатори акумуляторної батареї засмічені. | ▶ Прочистіть зачіпки фіксаторів та встановіть акумуляторну батарею. Якщо несправність не вдалося усунути, зверніться до сервісної служби компанії Hilti . |

10 Утилізація

Більшість матеріалів, з яких виготовлено інструменти компанії **Hilti**, придатні для вторинної переробки. Передумовою для їхньої вторинної переробки є належне сортування відходів за типом матеріалу. У багатьох країнах світу компанія **Hilti** приймає старі інструменти для їхньої утилізації. Щоб отримати додаткову інформацію з цього питання, звертайтеся до сервісної служби компанії **Hilti** або до свого торгового консультанта.

Утилізація акумуляторних батарей

У разі неналежної утилізації акумуляторних батарей з них можуть виходити небезпечні для здоров'я газу або рідини.

- ▶ Пошкоджені акумуляторні батареї забороняється пересилати поштою або кур'єрською службою!
- ▶ Закрийте контакти акумуляторних батарей електронепровідним матеріалом, щоб запобігти короткому замиканню.



- ▶ Утилізуйте акумуляторні батареї таким чином, щоб вони не потрапили до рук дітей.
- ▶ Щоб утилізувати акумуляторну батарею, передайте її до найближчого магазину **Hilti Store** або зверніться до представника відповідної компанії з утилізації відходів.



- ▶ Не викидайте електроінструменти, електронні пристрої та акумуляторні батареї у баки для побутового сміття!

11 China RoHS (директива КНР про обмеження використання небезпечних речовин)

Щоб переглянути таблицю з інформацією про небезпечні речовини, будь ласка, перейдіть за такими посиланнями: qr.hilti.com/r4793 (SFC 14-A) та qr.hilti.com/r4833 (SFC 22-A).

Посилання на таблицю з інформацією про речовини, включені до директиви RoHS, наведено наприкінці цього документа у вигляді QR-коду.

12 Гарантійні зобов'язання виробника

- ▶ Із питань гарантії, будь ласка, звертайтеся до Вашого місцевого партнера компанії **Hilti**.

Түпнұсқа пайдалану бойынша нұсқаулық

1 Құжаттама бойынша деректер

1.1 Бұл құжаттама туралы



Импорттауыш және өндірушінің өкілетті ұйымы

- (RU) Ресей Федерациясы
"Хилти Дистрибушн ЛТД" АҚ, 141402, Мәскеу облысы, Химки қ., Ленинградская көш., ғим. 25
- (BY) Беларусь Республикасы
222750, Минск облысы, Дзержинский ауданы, Р-1, 18-ші км, 2 (Слободка ауылының жанында), 1-34 бөлімі
- (KZ) Қазақстан Республикасы
Қазақстан Республикасы, индекс 050011, Алматы қ., Пугачев көш., 4-үй
- (KG) Қырғыз Республикасы
"Т AND Т" ЖШҚ, 720021, Қырғызстан, Бішкек қ., Ибраимов көш., 29 А үйі
- (AM) Армения Республикасы
Эйч-Кон ЖШҚ, Армения Республикасы, Ереван қ., Бабаян көш., 10/1 үйі

Өндірілген елі: жабдықтағы белгілеу тақтайшасын қараңыз.

Өндірілген күні: жабдықтағы белгілеу тақтайшасын қараңыз.

Тиісті сертификатты мына мекенжай бойынша табуға болады: www.hilti.ru

Сақтау, тасымалдау және пайдалану шарттарына пайдалану бойынша нұсқаулықта белгіленгеннен басқа арнайы талаптар қойылмайды.

Өнімнің қызмет ету мерзімі 5 жыл.

- Іске қосу алдында осы құжаттаманы оқып шығыңыз. Бұл қауіпсіз жұмыс пен ақаусыз басқару үшін алғышарт болып табылады.
- Осы құжаттамадағы және өнімдегі қауіпсіздік және ескерту нұсқауларын орындаңыз.
- Пайдалану бойынша нұсқаулықты әрдайым өнімде сақтаңыз және оны басқа тұлғаларға тек осы нұсқаулықпен бірге тапсырыңыз.

1.2 Шартты белгілердің анықтамасы

1.2.1 Ескерту

Ескертулер өнімді қолдану барысындағы қауіптер туралы ескертеді. Төмендегі сигналдық сөздер пайдаланылады:



2073071

Қазақ 109

ҚАУІПТІ
ҚАУІПТІ !

- ▶ Ауыр жарақаттарға әкелетін немесе өмірге қауіп төндіретін тікелей қауіпті жағдайдың жалпы белгіленуі.

ЕСКЕРТУ
ЕСКЕРТУ !

- ▶ Ауыр жарақаттарға әкелуі немесе өмірге қауіп төндіруі мүмкін ықтимал қауіпті жағдайдың жалпы белгіленуі.

АБАЙЛАҢЫЗ
АБАЙЛАҢЫЗ !

- ▶ Жеңіл жарақаттарға немесе аспаптың зақымдалуына әкелуі мүмкін ықтимал қауіпті жағдайдың жалпы белгіленуі.

1.2.2 Құжаттамадағы белгілер

Бұл құжаттамада төмендегі белгілер пайдаланылады:

| | |
|--|--|
| | Пайдалану алдында пайдалану бойынша нұсқаулықты оқу қажет |
| | Аспапты пайдалану бойынша нұсқаулар және басқа пайдалы ақпарат |
| | Қайта пайдалануға болатын материалдармен жұмыс істеу |
| | Электр аспаптарды және аккумуляторларды тұрмыстық қоқысқа тастамаңыз |

1.2.3 Суреттердегі белгілер

Суреттерде төмендегі белгілер қолданылады:

| | |
|--|---|
| | Бұл сандар осы нұсқаулықтың басындағы әр суретке сәйкес келеді |
| | Нөмірлеу суреттегі жұмыс қадамдарының реттілігін білдіреді және мәтіндегі жұмыс қадамдарынан өзгешеленуі мүмкін |
| | Позиция нөмірлері Шолу суретінде қолданылады және Өнімге шолу мақаласындағы шартты белгілердің нөмірлеріне сілтейді |
| | Аталмыш белгілер өнімді қолдану барысында айрықша назарыңызды аудартады. |

1.3 Өнімге қатысты белгілер
1.3.1 Өнімдегі белгілер

Төмендегі белгілер өнімде қолданылады:

| | |
|--------|--|
| | Соққысыз бұрғылау |
| /min | Минут ішіндегі айналымдар |
| n_0 | Жүктемесіз номиналды айналу жиілігі |
| | Тұрақты ток |
| Li-Ion | Литий-иондық аккумулятор |
| | Пайдаланылған Hilti литий-ион аккумуляторларының сериясы. Қолдану мақсаты бөліміндегі нұсқауларды орындаңыз. |



| | |
|--|--|
| | Өнім iOS және Android платформаларымен үйлесімді сымсыз дерек тасымалдау мүмкіндігіне қолдау көрсетеді. |
| | Аккумуляторды еш жағдайда соқпа құрал ретінде пайдаланбаңыз. |
| | Аккумуляторды құлатып жібермеңіз. Соққы тиген немесе басқа жолмен зақымдалған аккумуляторды пайдаланбаңыз. |

1.4 Өнім туралы ақпарат

HILTI өнімдері кәсіби пайдаланушыларға арналған және оларды тек қана өкілетті, білікті қызметкерлер пайдалануы, күтім және техникалық қызмет көрсетуі тиіс. Қызметкерлер қауіпсіздік техникасы бойынша арнайы нұсқау алуы керек. Өнім мен оның қосалқы құралдарын басқа мақсатта қолдану немесе олардың оқытылмаған қызметкерлердің тарапынан пайдаланылуы қауіпті.

Түр сипаттамасы мен сериялық нөмір фирмалық тақтайшада берілген.

- ▶ Сериялық нөмірді төмендегі кестеге көшіріп қойыңыз. Өнім туралы мәліметтерді өкілдігімізге немесе қызмет көрсету бөлімімізге сұрау беру арқылы алуға болады.

Өнім туралы мәліметтер → Бет 111

Өнім туралы мәліметтер

| | |
|-------------------------------------|----------------------|
| Аккумуляторлық бұрғылайтын бұрауыш: | SFC 22-A SFC 14-A |
| Буын: | 01 |
| Сериялық нөмір: | |

1.5 Сәйкестілік декларациясы

Біз осы нұсқаулықта сипатталған өнімнің қолданыстағы директивалар мен нормативтерге сәйкес келетінін толық жауапкершілікпен жариялаймыз. Сәйкестілік декларациясының суреті осы құжаттаманың соңында орналасқан.

Техникалық құжаттама мына жерде сақталған:

Hilti Entwicklungsgesellschaft mbH | Zulassung Geräte | Hiltistraße 6 | 86916 Kaufering, DE

2 Қауіпсіздік

2.1 Электр құралдары үшін қауіпсіздік техникасы бойынша жалпы нұсқаулар

⚠ ЕСКЕРТУ! Сақтық шаралары бойынша барлық нұсқауларды және нұсқауларды оқып шығыңыз. Төменде берілген нұсқауларды орындамау электр тогының соғуына, өртке әкелуі мүмкін және/немесе ауыр жарақаттарды тудыруы мүмкін.

Қауіпсіздік техникасы бойынша барлық нұсқауларды және нұсқауларды келесі пайдаланушы үшін сақтаңыз.

Жұмыс орны

- ▶ **Жұмыс орнындағы тазалықты және тәртіпті қадағалаңыз.** Жұмыс орнындағы ретсіздік және нашар жарық сәтсіз жағдайларға әкелуі мүмкін.
- ▶ **Жанғыш сұйықтықтар, газдар немесе шаң бар жарылыс қаупі бар аймақта электр құралын қолданбаңыз.** Жұмыс кезінде электр құралдары ұшқындар шығады және ұшқындар шаңды немесе буларды тұтандыруы мүмкін.
- ▶ **Балалардың және бөгде адамдардың жұмыс істеп тұрған электр құралына жақындауына рұқсат етпеңіз.** Жұмысқа көңіл бөлмегенде, электр құралын бақылау жоғалуы мүмкін.

Электр қауіпсіздігі

- ▶ **Денеңізді құбырлар, жылытқыштар, плиталар мен тоңазытқыштар сияқты жерге тұйықталған беттерге тигізбеңіз.** Жерге қосылған заттарға тигенде электр тогы соғуының үлкен қаупі туындайды.
- ▶ **Электр құралдарын жаңбырдан немесе ылғал әсерінен сақтаңыз.** Электр құралына су тиюі нәтижесінде электр тогының соғу қаупі артады.

Адамдардың қауіпсіздігі

- ▶ **Ұқыпты болыңыз, әрекеттеріңізге көңіл бөліңіз және электр құралмен жұмыс істеуге дұрыс қараңыз.** Шаршаған кезде немесе есірткі, алкоголь не дәрі қабылдаған соң электр құралды қолданбаңыз. Электр құралды қолданған кездегі зейінсіздік ауыр жарақаттарға апарып соғуы мүмкін.



2073071

- ▶ **Жеке қорғану құралдарын пайдаланыңыз және әрқашан міндетті түрде қорғауыш көзілдірікті киіңіз.** Электр құралының түріне және пайдалану жағдайларына байланысты жеке қорғану құралдарын, мысалы, шаңнан қорғайтын респираторды, сырғымайтын аяқ киімді, қорғауыш шлемді, естуді қорғау құралдарын қолдану жарақаттану қаупін азайтады.
- ▶ **Электр құралының кездейсоқ қосылуын болдырмаңыз.** Электр құралды аккумуляторға жалғаудан, шығарудан немесе тасудан бұрын оның өшірулі екеніне көз жеткізіңіз. Электр құралды тасымалдағанда саусақтар сөндіргіште болатын немесе қосылған электр құрал желіге қосылатын жағдайлар сәтсіз жағдайларға әкелуі мүмкін.
- ▶ **Электр құралын қосу алдында реттеуші құрылғыларды және гайка кілтін алыңыз.** Электр құралының айналатын бөлігіндегі аспап немесе кілт жарақаттарға әкелуі мүмкін.
- ▶ **Жұмыс кезінде ыңғайсыз қалыптарға тұрмауға тырысыңыз.** Үнемі тұрақты күйді және тепе-теңдікті сақтаңыз. Бұл қлптеген жағдайларда электр құралын жақсырақ басқаруға мүмкіндік береді.
- ▶ **Арнайы киімді киіңіз. Өте бос киімді немесе әшекейлерді кимеңіз.** Шашты, киімді және қолғапты электр құралының айналатын түйіндерінен сақтаңыз. Бос киім, әшекейлер және ұзын шаш оларға ілінуі мүмкін.
- ▶ **Егер шаңды жинау және кетіруге арналған құрылғыларды қосу қарастырылған болса, олар қосылғанына және мақсаты бойынша қолданылып жатқанына көз жеткізіңіз.** Шаңды кетіру модулін пайдалану шаңның зиянды әсерін азайтады.

Электр құралын қолдану және оған қызмет көрсету

- ▶ **Аспапқа шамадан тыс жүктеме түсуін болдырмаңыз.** Нақ осы жұмысқа арналған электр құралын қолданыңыз. Бұл ережені сақтау көрсетілген қуат диапазонында жоғарырақ жұмыс сапасын және қауіпсіздігін қамтамасыз етеді.
- ▶ **Сөндіргіші бұзылған электр құралын қолданбаңыз.** Қосу немесе өшіру қиын электр құралы қауіпті және оны жөндеу керек.
- ▶ **Аспапты орнату жұмыстарын орындаудан, керек-жарақтарды ауыстырудан немесе аспапты сақтауға қоюдан бұрын аккумуляторды шығарып алыңыз.** Бұл сақтық шарасы электр құралдың кездейсоқ қосылуын болдырмайды.
- ▶ **Қолданылмайтын электр құралдарды балалар жетпейтін жерде сақтаңыз.** Электр құралды оны пайдалана алмайтын немесе осы нұсқауларды оқып шықпаған тұлғаларға бермеңіз. Электр құралдар тәжірибесі жоқ пайдаланушылардың қолында қауіпті болады.
- ▶ **Электр құралдарға мұқият күтім көрсетіңіз.** Айналымды бөліктердің мүлтіксіз қызмет ететінін, олардың жүрісінің жеңілдігін, барлық бөліктердің тұтастығын және электр құралдың жұмысына теріс әсер етуі мүмкін зақымдардың жоқтығын тексеріңіз. Аспаптың зақымдалған бөліктерін оны қолдану алдында жөндеуге өткізіңіз. Электр құралға техникалық қызмет көрсету ережелерін сақтамау көп сәтсіз жағдайлардың себебі болып табылады.
- ▶ **Кескіш аспаптардың үшкір және таза болуын қадағалау керек.** Жұмыс күйінде сақталатын кескіш аспаптардың сыналануы сиректеу болады, оларды басқару жеңілдеу.
- ▶ **Электр құралын, саймандарды, көмекші құрылғыларды және т.б. нұсқауларға сай пайдаланыңыз.** Бұл кезде жұмыс жағдайларын және орындалатын жұмыстың сипатын ескеріңіз. Электр құралдарын басқа мақсаттарда қолдану қауіпті жағдайларға әкелуі мүмкін.

Аккумуляторлық аспапты пайдалану және оған қарау

- ▶ **Аккумуляторды тек өндіруші ұсынған зарядтағыш құрылғылардың көмегімен зарядтаңыз.** Зарядтағыш құрылғыны тиісті емес аккумулятор түрлерін зарядтау үшін қолданғанда өрт туындауы мүмкін.
- ▶ **Аспаппен жұмыс істеу үшін тек тиісті аккумуляторларды қолданыңыз.** Басқа аккумуляторларды пайдалану жарақаттарға әкелуі және өрт тудыруы мүмкін.
- ▶ **Пайдаланылмайтын аккумуляторларды контакттардың тұйықталуының себебі болуы мүмкін скрепкалардан, тиындардан, кілттерден, инелерден, винттерден және басқа металл заттардан ары сақтаңыз.** Аккумулятор контактарының тұйықталуы күйіктерге немесе тұтануға әкелуі мүмкін.
- ▶ **Аккумулятормен тиісті емес түрде жұмыс істегенде одан электролит ағып шығуы мүмкін. Оған тиюді болдырмаңыз.** Аккумулятордан ағып шыққан электролит тері тітіркенуін немесе күйіктерді тудыруы мүмкін. Кездейсоқ тигенде сумен шайыңыз. Электролит көзге тигенде дәрігер көмегіне жүгініңіз.

Қызмет

- ▶ **Электр құралды жөндеуді тек түпнұсқа қосалқы бөлшектерді қолданатын білікті қызметкерлерге сеніп тапсырыңыз.** Бұл электр құралды қауіпсіз күйде сақтауды қамтамасыз етеді.



2.2 Дрельдермен жұмыс істегендегі қауіпсіздік техникасы бойынша нұсқаулар

- ▶ **Аспап жинағына кіретін қосымша тұтқыштарды қолданыңыз.** Аспапты басқаруды жоғалту жарақаттарға әкелуі мүмкін.
- ▶ **Пайдаланатын аспабыңыз көзден таса электр желісіне тиіп кетуі мүмкін болса, аспаптың арнайы жеке бөлінген жерінен ұстаңыз.** Электр сымдарына тигенде аспаптың қорғалмаған металл бөліктері кернеу астында болады. Бұл электр тогының соғуына әкелуі мүмкін.

2.3 Қауіпсіздік бойынша қосымша нұсқаулар, гайка бұрауыш

Адамдардың қауіпсіздігі

- ▶ Өнімді тек техникалық мінсіз күйінде қолданыңыз.
- ▶ Аспапта ешқашан бейімдеу не өзгерту жұмыстарын орындамаңыз.
- ▶ Аспап жинағына кіретін қосымша тұтқыштарды қолданыңыз. Аспапты басқаруды жоғалту жарақаттарға әкелуі мүмкін.
- ▶ Өрқашан аспапты екі қолмен тұтқыштарынан берік ұстаңыз. Тұтқышты құрғақ әрі таза күйінде ұстаңыз.
- ▶ Аспаптың айналатын бөлшектеріне тиеніз - жарақат алу қаупі бар!
- ▶ Аспапты қолданған кезде арнайы қорғаныс көзілдірігін, қорғаныс шлемін, құлаққап, қорғаныс қолғап пен жеңіл респиратор тағып жүріңіз.
- ▶ Құралды алмастырған кезде қорғаныс қолғаптарын да киіңіз. Алмалы-салмалы аспапқа тию кесіктерге және күйіктерге апарып соғуы мүмкін.
- ▶ Қорғауыш көзілдіріктерді пайдаланыңыз. Материалдың сынықтары денені және көзді жарақаттауы мүмкін.
- ▶ Жұмысты бастау алдында дайындама материалы бойынша пайда болатын шаңның қауіп класын анықтаңыз. Аспаппен жұмыс істеу үшін қорғаныс дәрежесі қолданыстағы шаңнан қорғау нормаларына сай құрылыс шаңсорғышын қолданыңыз. Құрамында қорғасын бар бояулар, ағаштың кейбір түрлері, бетон/кірпіш қалауы/кварц қамтитын жыныстар және минералдар мен металл сияқты материалдардан пайда болатын шаң денсаулық үшін зиянды болуы мүмкін.
- ▶ Жұмыс орнындағы ауа алмасуды жақсарту үшін әрекет етіңіз және қажетінше тиісті шаңға арналған респираторды тағыңыз. Мұндай шаңның бөлшектерімен дем алу немесе оған тию пайдаланушыларда немесе жанындағы адамдарда аллергиялық реакциялардың және/немесе дем алу жолдары ауруларының пайда болуына әкелуі мүмкін. Кейбір шаң түрлері (мысалы, емөнді немесе шамшатты өңдеу кезінде пайда болатын шаң) канцерогенді деп есептеледі, әсіресе ағашты өңдеу үшін қолданылатын қосымша материалдармен (хром қышқылының тұзы, ағашты қорғау заттары) тіркесімде. Құрамында асбест бар материалдарды тек мамандар өңдеуі керек.
- ▶ Саусақтарыңыздың қандандыруын жақсарту үшін үзіліс жасап, жаттығулар жасаңыз. Ұзақ уақыт жұмыс істеген кезде, дірілдердің салдарынан саусақ, қол не буындардың қантамыры не жүйкесіне кері әсер тиюі мүмкін.

Электр қауіпсіздігі

- ▶ Жұмысты бастамас бұрын, жұмыс аймағындағы электрлік сымдар, газ бен су құбырлары жабық екендігіне көз жеткізіңіз. Ток сымна байқамастан зақым келтірген жағдайда, аспаптағы сыртта орналасқан металл бөлшектер ток соғу қаупін тудыруы мүмкін.

Электр құралмен дұрыс жұмыс істеу және оны дұрыс пайдалану

- ▶ Электр құрал блокталған кезде құралды бірден өшіріңіз. Аспап бүйірімен ауытқуы мүмкін.
- ▶ Электр құралды алып тастау алдында оның толығымен тоқтатылған күйге орнатылғанына дейін күтіңіз.

2.4 Аккумулятормен дұрыс жұмыс істеу және оны дұрыс пайдалану

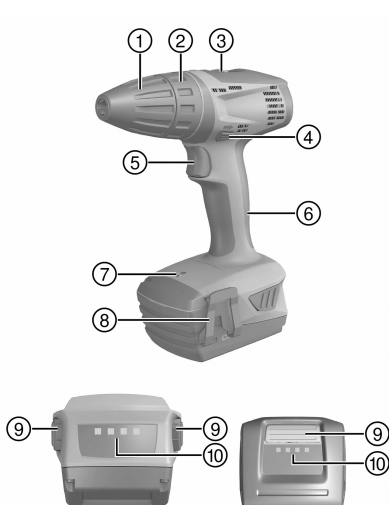
- ▶ Li-Ion аккумуляторын тасымалдау, сақтау және пайдалану бойынша арнайы нұсқаулардың талаптарын орындаңыз.
- ▶ Аккумуляторларды жоғары температуралар, тікелей күн сәулесі мен өрттен алшақ ұстаңыз.
- ▶ Аккумуляторларды бөлшектеуге, қысуға, 80°C-тан жоғары температураға дейін қыздыруға және жағуға тыйым салынады.
- ▶ Соққы тиген, бір метрден жоғары биіктіктен құлаған немесе басқа жолмен зақымдалған аккумуляторларды пайдалануға немесе зарядтауға болмайды. Мұндай жағдайда әрдайым **Hilti сервистік қызметіңізге** хабарласыңыз.



- Егер тиген кезде аккумулятор тым ыстық болса, ол ақаулы болуы мүмкін. Аспапты тұтану қаупі жоқ орынға, тұтанғыш материалдардан алыс, оны бақылауға болатындай қойыңыз және суытып қойыңыз. Мұндай жағдайда әрдайым **Hilti сервистік қызметіңізге** хабарласыңыз.

3 Сипаттама

3.1 Шолу



- 1 Жылдам тартылатын патрон
- 2 Айналу моменті және бұрғылауға арналған реттеу сақинасы
- 3 Екі жылдамдықты ауыстырып-қосқыш
- 4 Қосуды бұғаттауы бар солға/оңға айналудың ауыстырып-қосқышы
- 5 Реттелетін негізгі сөндіргіш (айналу жиілігі электрондық түрде басқарылатын)
- 6 Тұтқыш
- 7 Шам
- 8 Белдікке ілуге арналған ілгек (таңдау бойынша)
- 9 Аккумулятор заряды деңгейінің көрсеткішін белсендірудің қосымша функциясы бар бұғаттау түймесі
- 10 Зарядталу деңгейінің және ақаулықтардың индикаторы (Li-Ion аккумуляторы)

3.2 Мақсатына сай қолдану

Сипатталған өнім қолмен басқарылатын аккумуляторлық бұрауыш дрель болып табылады. Ол бұрандаларды бұрап енгізу және шығаруға және болат, ағаш пен пластикте бұрғылауға арналған.

- Осы өнім үшін тек B14 және B22 сериялы **Hilti** Li-Ion аккумуляторларын ғана пайдаланыңыз.
- Бұл аккумуляторлар үшін тек C4/36 сериялы **Hilti** зарядтағыш құрылғыларын пайдаланыңыз.

3.3 Зарядтау дәрежесінің индикациясы

Li-Ion аккумуляторының зарядтау деңгейі аккумуляторды босату түймесін басу арқылы көрсетіледі.

| Құралдың бөлшектері | Сипаттамасы |
|-----------------------------|---------------------------|
| 4 жарық диоды жанады. | Зарядтау күйі: 75% - 100% |
| 3 жарық диоды жанады. | Зарядтау күйі: 50% - 75% |
| 2 жарық диоды жанады. | Зарядтау күйі: 25% - 50% |
| 1 жарық диоды жанады. | Зарядтау күйі: 10% - 25% |
| 1 жарық диоды жыпылықтайды. | Зарядтау күйі: < 10% |

Негізгі сөндіргіш іске қосылған кезд, зарядтау деңгейіне сұрау беру мүмкін болмайды.

3.4 Жеткізілім жинағы

Бұрауыш дрель, пайдалану бойынша нұсқаулық.

- Оған қоса, өніміңіз үшін рұқсат етілген жүйелік өнімді **Hilti** орталығында немесе келесі сайтта табуға болады: www.hilti.group.



4 Техникалық сипаттамалар

4.1 Техникалық сипаттамалар

| | SFC 14-A | SFC 22-A |
|-------------------------------------|---------------------------|---------------------------|
| Номиналды кернеу | 14,4 В | 21,6 В |
| ЕРТА 01 процедурасы бойынша салмағы | 1,5 кг | 2,4 кг |
| 1-жылдамдықтағы айналу жиілігі | 0 А/мин ... 500 А/мин | 0 А/мин ... 600 А/мин |
| 2-жылдамдықтағы айналу жиілігі | 0 А/мин ... 1700 А/мин | 0 А/мин ... 1800 А/мин |
| Айналу моменті (макс.) | 24 Н·м | 28 Н·м |
| Айналу моментін реттеу (15 деңгей) | 1,5 Н·м ... 10 Н·м | 1,5 Н·м ... 10 Н·м |

4.2 Аккумулятор

| | |
|---|------------------|
| Аккумулятордың жұмыс кернеуі | 14,4 В |
| Жұмыс кезіндегі қоршаған орта температурасы | -17 °С ... 60 °С |
| Сақтау температурасы | -20 °С ... 40 °С |
| Зарядтаудың басындағы аккумулятор температурасы | -10 °С ... 45 °С |

4.3 Аккумулятор

| | |
|---|------------------|
| Аккумулятордың жұмыс кернеуі | 21,6 В |
| Жұмыс кезіндегі қоршаған орта температурасы | -17 °С ... 60 °С |
| Сақтау температурасы | -20 °С ... 40 °С |
| Зарядтаудың басындағы аккумулятор температурасы | -10 °С ... 45 °С |

4.4 EN 60745 стандарты бойынша шуыл туралы ақпарат және діріл мәні

Осы нұсқауларда көрсетілген дыбыс қысымы мен діріл деңгейі стандартты өлшеу әдісімен өлшенген және оны басқа электр құралдарымен салыстыру үшін пайдалануға болады. Сонымен бірге, ол экспозицияны алдын ала бағалау үшін жарайды. Берілген деректер электр құралдың негізгі жұмысын көрсетеді. Алайда, егер электр құралы басқа мақсаттарда, басқа жұмыс аспаптарымен қолданылса немесе оған қанағаттандырмайтын техникалық қызмет көрсетілсе, деректер өзгеше болуы мүмкін. Осының салдарынан аспаптың бүкіл жұмыс істеу кезеңінде экспозиция айтарлықтай артуы мүмкін. Экспозицияны дәл анықтау үшін аспап сәндірілген күйде немесе бос жұмыс істейтін уақыт аралықтарын да ескеру керек. Осының салдарынан аспаптың бүкіл жұмыс істеу кезеңінде экспозиция айтарлықтай азаюы мүмкін. Пайдаланушыны пайда болатын шуылдан және/немесе дірілден қорғау үшін қосымша сақтық шараларын қолданыңыз, мысалы: электр құралға және алмалы-салмалы аспаптарға техникалық қызмет көрсету, қолдардың жылуын сақтау, жұмыс процестерін дұрыс ұйымдастыру.

Шуылдың эмиссиялық көрсеткіші

| | SFC 14-A | SFC 22-A |
|--|----------|----------|
| Эмиссиялық дыбыс қысымының деңгейі (L_{pA}) | 69 дБ(А) | 69 дБ(А) |
| Дыбыс қысымының деңгейі бойынша дәлсіздік (K_{pA}) | 3 дБ(А) | 3 дБ(А) |
| Дыбыс күшінің деңгейі | 80 дБ(А) | 80 дБ(А) |
| Дыбыс күшінің деңгейі бойынша дәлсіздік (K_{WA}) | 3 дБ(А) | 3 дБ(А) |

Дірілдің жалпы көрсеткіші

| | SFC 14-A | SFC 22-A |
|--|-----------------------|-----------------------|
| Дірілдің эмиссиялық көрсеткіші, бұрандалар (a_n) | < 2 м/с ² | < 2 м/с ² |
| Дәлсіздік, бұрау (К) | 1,5 м/с ² | 1,5 м/с ² |
| Металл бойынша бұрғылау ($a_{h,D}$) | 2,67 м/с ² | 2,67 м/с ² |
| Металл бойынша бұрғылау дәлсіздігі (К) | 1,5 м/с ² | 1,5 м/с ² |



5 Жұмысқа дайындық

АБАЙЛАҢЫЗ

Жарақат алу қаупі абайсыздан қосылу себебінен!

- ▶ Аккумуляторды орнату алдында оған қатысты өнімнің өшірілгеніне көз жеткізіңіз.
- ▶ Аспап реттеулерін орындау немесе қосалқы бөлшектерді алмастыру алдында аккумуляторды шығарыңыз.

Осы құжаттамадағы және өнімдегі қауіпсіздік және ескерту нұсқауларын орындаңыз.

5.1 Аккумуляторды зарядтау

1. Зарядтау алдында зарядтағыш құрылғының пайдалану бойынша нұсқаулығын оқып шығыңыз.
2. Аккумулятордағы және зарядтағыш құрылғыдағы контактілердің таза әрі құрғақ екендігіне көз жеткізіңіз.
3. Аккумуляторды рұқсат етілген зарядтағыш құрылғы ішінде зарядтаңыз.

5.2 Аккумуляторды орнату

АБАЙЛАҢЫЗ

Жарақат алу қаупі қысқа тұйықталудан немесе аккумулятордың құлауынан!

- ▶ Аккумуляторды орнату алдында аккумулятор контактілерінде және өнімдегі контактілерде бөгде заттардың жоқтығына көз жеткізіңіз.
- ▶ Аккумулятордың әркез дұрыс орнатылғанына көз жеткізіңіз.

1. Аккумуляторды алғаш рет іске қоспас бұрын зарядтаңыз.
2. Аккумуляторды аспап ұстағышына шерту дыбысы шыққанша мұқият салыңыз.
3. Аккумулятордың аспапқа берік бекітілгенін тексеріңіз.

5.3 Аккумуляторды шығару

1. Аккумулятордың босату түймелерін басыңыз.
2. Аккумуляторды аспаптан шығарыңыз.

5.4 Белдікке ілуге арналған ілгекті орнату (қосымша) 2

ЕСКЕРТУ

Жарақат алу қаупі. Аспаптың құлауы сіз және басқа тұлғалар үшін қауіпті жағдайлар тудыруы мүмкін.

- ▶ Жұмысты бастау алдында белдік ілгегі берік бекітілгенін тексеріңіз.

Ілгек аспапты белдікке ілуге мүмкіндік береді. Белдікке ілуге арналған ілгекті оң және сол жақтан ұстау үшін орнатуға болады.

- ▶ Белдікке ілуге арналған ілгекті орнатыңыз.

5.5 Алмалы-салмалы аспапты енгізу

1. Оңға/солға айналу ауыстырып-қосқышын ортаңғы күйге ортатыңыз немесе аккумуляторды аспаптан ажыратыңыз.
2. Алмалы-салмалы аспаптың енгізу шеті таза екендігіне көз жеткізіңіз. Қажет болса, оны тазалаңыз.
3. Жылдам қысқыш бұрғы патронын ашыңыз.
4. Алмалы-салмалы аспапты жылдам тартылатын патронға салыңыз да, бірнеше механикалық шырт еткен дыбысты естігенше оны тығыз бекемдеңіз.
5. Алмалы-салмалы аспаптың берік бекітілгенін тексеріңіз.

6 Қызмет көрсету

Осы құжаттамадағы және өнімдегі қауіпсіздік және ескерту нұсқауларын орындаңыз.



6.1 Берілісті таңдау 3

- ▶ Берілісті таңдаңыз.

6.2 Айналу бағытын орнату 4



Бұғаттау электр қозғалтқышы жұмыс істеп тұрғанда бағытты ауыстырудан қорғайды.

Ауыстырып-қосқыш ортаңғы күйде болғанда, негізгі сөндіргіш бұғатталған болады (қосуды құлыптау).

- ▶ Оңға/солға айналу ауыстырып-қосқышын қалаулы айналу бағытына ортатыңыз.

6.3 Қосу

- ▶ Бұғаттаудан шығару түймесін басыңыз.



Негізгі сөндіргіштің басылу тереңдігіне байланысты айналу жиілігін байсалды түрде максималды деңгейіне дейін реттеуге болады.

6.4 Бұрап бекіту

1. Айналу моменті мен функцияны реттеу сақинасында қажетті айналу моментін орнатыңыз.
2. Оңға/солға айналу ауыстырып-қосқышының көмегімен қалаулы айналу бағытын ортатыңыз.

6.5 Бұрғылау

1. Айналу моменті және функцияға арналған реттеу сақинасын белгісіне орнатыңыз.
2. Оңға/солға айналу ауыстырып-қосқышын оңға айналу күйіне орнатыңыз.

6.6 Өшіру

- ▶ Негізгі сөндіргішті жіберіңіз.

6.7 Алмалы-салмалы аспапты шығару

1. Оңға/солға айналу ауыстырып-қосқышын ортаңғы күйге ортатыңыз немесе аккумуляторды аспаптан ажыратыңыз.
2. Жылдам қысқыш бұрғы патронын ашыңыз.
3. Алмалы-салмалы аспапты жылдам тартылатын патроннан тартып алыңыз.

7 Күту және техникалық қызмет көрсету



ЕСКЕРТУ

Аккумулятор өнгізілген кезде жарақат алу қаупі бар !

- ▶ Күтім және техникалық қызмет көрсету бойынша кез келген жұмыстарды орындамас бұрын әрдайым аккумуляторды шығарыңыз!

Аспапқа қызмет көрсету

- Қатты жабысқан кірді мұқият кетіріңіз.
- Желдету ойықтарын құрғақ қылшақпен жайлап тазалаңыз.
- Корпусты тек сәл суланған шүберекпен тазалаңыз. Ешқандай силикон қамтитын күтім құралдарын пайдаланбаңыз, өйткені олар пластмасса бөлшектерін зақымдауы мүмкін.

Литий-иондық аккумуляторға қызмет көрсету

- Аккумуляторды май мен майлағыштан таза күйінде ұстаңыз.
- Корпусты тек сәл суланған шүберекпен тазалаңыз. Ешқандай силикон қамтитын күтім құралдарын пайдаланбаңыз, өйткені олар пластмасса бөлшектерін зақымдауы мүмкін.
- Ылғалдың кіруін болдырмаңыз.

Техникалық қызмет көрсету

- Барлық көзге көрінетін бөлшектерде зақымдардың бар-жоғын және басқару элементтерінің ақаусыз жұмысын жиі тексеріп тұрыңыз.



- Өнім зақымдалған және/немесе ақаулы болған жағдайда оны пайдаланушы болмаңыз. Бірден **Hilti** қызмет көрсету орталығына жөндетіңіз.
- Күтім және техникалық қызмет көрсету жұмыстарынан кейін барлық қорғауш құрылғыларды орнатып, жұмысын тексеріңіз.

Қауіпсіз қолдану үшін тек түпнұсқа қосалқы бөлшектер мен жұмсалатын материалдарды қолданыңыз. Біз рұқсат еткен қосалқы бөлшектер, шығын материалдары мен өнімге арналған керек-жарақтар **Hilti Store** дүкенінде немесе келесі веб-сайтта қолжетімді: www.hilti.group.

8 Аккумуляторлық аспаптарды тасымалдау және сақтау

Тасымалдау

АБАЙЛАҢЫЗ

Тасымалдау кезіндегі кенет іске қосылу !

- ▶ Өніміңізді әрдайым аккумуляторын шығарып алып тасымалдаңыз!
- ▶ Аккумуляторларды шығарыңыз.
- ▶ Аккумуляторларды ешқашан үймеде тасымалдамаңыз.
- ▶ Аспапты немесе аккумуляторларды ұзақ уақыт тасымалдаған соң, оларды пайдалану алдында зақымдарының бар-жоғын тексеріңіз.

Сақтау

АБАЙЛАҢЫЗ

Бүлінген немесе заряды таусылған аккумуляторлардан күтілмеген зақымдалу !

- ▶ Өніміңізді әрдайым аккумуляторын шығарып алып сақтаңыз!
- ▶ Аспап пен аккумуляторларды мүмкіндігінше салқын және құрғақ күйінде сақтаңыз.
- ▶ Аккумуляторларды ешқашан күн, жылу көздерінің астында немесе әйнек артында сақтамаңыз.
- ▶ Аспап пен аккумуляторларды балалар мен рұқсаты жоқ адамдардың қолы жетпейтін жерде сақтаңыз.
- ▶ Аспапты немесе аккумуляторларды ұзақ уақыт сақтаған соң, оларды пайдалану алдында зақымдарының бар-жоғын тексеріңіз.

9 Ақаулықтардағы көмек

9.1 Ақаулықтардағы көмек

Бұл кестеде келтірілмеген немесе өзіңіз түзете алмайтын ақаулықтар орын алғанда, **Hilti** қызмет көрсету орталығына хабарласыңыз.

| Ақаулық | Ықтимал себеп | Шешім |
|---|--|--|
| Аспап жұмыс істемейді. | Аккумулятор толығымен салынбаған. | ▶ Аккумуляторды қос шырт еткен дыбыс естілгенше бекітіңіз. |
| | Аккумулятор заряды бос. | ▶ Аккумуляторды алмастырып, бос аккумуляторды зарядтаңыз. |
| | Электр бөлігі бойынша ақаулық. | ▶ Аккумуляторды аспаптан шығарыңыз және Hilti қызмет көрсету орталығына хабарласыңыз. |
| Аспап қызмет етпейді және бір жарық диоды жыпылықтайды. | Аккумулятор заряды бос. | ▶ Аккумуляторды алмастырып, бос аккумуляторды зарядтаңыз. |
| | Аккумулятор қызып немесе суып кетті. | ▶ Аккумуляторды ұсынылған жұмыс температурасына дейін жеткізіңіз. |
| Қосқыш/ажыратқыш басылмайды немесе бұғатталған. | Оңға/солға айналу ауыстырып-қосқышы ортаңғы күйде. | ▶ Оңға/солға айналу ауыстырып-қосқышын солға не оңға басыңыз. |



| Ақаулық | Ықтимал себеп | Шешім |
|--|--|---|
| №1 жарық диоды жыпықтайды. | Аккумулятор заряды бос. | ▶ Аккумуляторды алмастырып, бос аккумуляторды зарядтаңыз. |
| | Аспапқа шамадан тыс жүктеме түскен (пайдалану шегі асырылған). | ▶ Барлық жұмыстар алдында өнімнің қуат талаптарын тексеріңіз. Техникалық деректерді қараңыз. |
| Аккумулятор заряды едеттегіден тезірек бітеді. | Қоршаған орта температурасы тым төмен. | ▶ Аккумуляторды ұзақ уақытта бөлме температурасында жылытыңыз. |
| Аккумулятор бекітілгенде оған тән "қос шырт еткен дыбыс" естілмейді. | Аккумулятордағы құлып шоқылары кірленген. | ▶ Тіреуіш шығыңқы жерлерін тазалаңыз және аккумуляторды салыңыз. Мәселе шешілмесе, Hilti сервис орталығына хабарласыңыз. |

10 Көдеге жарату

Hilti аспаптары қайта өңдеу үшін жарамды көптеген материалдардың санын қамтиды. Көдеге жарату алдында материалдарды мұқият сұрыптау керек. Көптеген елдерде **Hilti** компаниясы ескі аспабыңызды қайта өңдеу үшін қайта қабылдайды. **Hilti** қызмет көрсету орталығынан немесе дилеріңізден сұраңыз.

Аккумуляторды көдеге жарату

Аккумуляторларды нұсқаулардан тыс көдеге жарату нәтижесінде газ не сұйықтықтың шығуы денсаулыққа қауіп төндіруі мүмкін.

- ▶ Зақымдалған аккумуляторларды жіберуге немесе жөнелтуге болмайды!
- ▶ Қысқа тұйықталуға жол бермеу үшін, қосылымдарды ток өткізбейтін материалмен жауып қойыңыз.
- ▶ Аккумуляторларды балалардың қолына жетпейтіндей етіп көдеге жаратыңыз.
- ▶ Аккумуляторды **Hilti Store** дүкенінде көдеге жаратыңыз немесе жергілікті көдеге жарату кәсіпорнына хабарласыңыз.



- ▶ Электр құралдарды, электрондық құрылғылар мен аккумуляторларды тұрмыстық қоқыспен бірге тастамаңыз!

11 Қытайдың RoHS директивасы (зиянды заттектердің пайдаланылуын шектеу ережесі)

Төмендегі сілтемелер бойынша зиянды заттектердің кестесі келтірілген: qr.hilti.com/r4793 (SFC 14-A) және qr.hilti.com/r4833 (SFC 22-A).

RoHS кестесінің сілтемесі осы құжаттаманың соңында QR коды ретінде берілген.

12 Өндіруші кепілдігі

- ▶ Кепілдік шарттары туралы сұрақтарыңыз болса, жергілікті **Hilti** серіктесіне хабарласыңыз.

Оrijinal kullanım kılavuzu

1 Dokümantasyon verileri

1.1 Bu doküman için

- Çalıřtırmadan önce bu dokümanı okuyunuz. Bu, güvenli çalıřma ve arızasız kullanım için ön kořuludur.
- Bu dokümanda ve ürün üzerinde bulunan güvenlik ve uyarı bilgilerine dikkat ediniz.
- Kullanım kılavuzunu her zaman ürün üzerinde bulundurunuz ve ürünü sadece bu kılavuz ile birlikte başka kiřilere veriniz.



2073071

Türkçe 119

1.2 Resim açıklaması

1.2.1 Uyarı bilgileri

Uyarı bilgileri, ürün ile çalışırken ortaya çıkabilecek tehlikelere karşı uyarır. Aşağıdaki uyarı metinleri kullanılır:

TEHLİKE

TEHLİKE !

► Ağır vücut yaralanmalarına veya doğrudan ölüme sebep olabilecek tehlikeler için.

İKAZ

İKAZ !

► Ağır yaralanmalara veya ölüme neden olabilecek tehlikeler için.

DİKKAT

DİKKAT !

► Hafif vücut yaralanmalarına veya maddi hasarlara yol açabilecek olası tehlikeli durumlar için.

1.2.2 Dokümandaki semboller

Bu dokümanda aşağıdaki semboller kullanılmıştır:



Kullanmadan önce kullanım kılavuzunu okuyunuz



Kullanım uyarıları ve diğer gerekli bilgiler



Geri dönüşümlü malzemeler ile çalışma



Elektrikli aletleri ve aküleri evdeki çöplere atmayınız

1.2.3 Resimlerdeki semboller

Resimlerde aşağıdaki semboller kullanılmıştır:

2

Bu sayılar, kılavuzun başlangıcındaki ilgili resimlere atanmıştır

3

Numaralandırma, resimdeki çalışma adımlarının sırasını göstermektedir ve metindeki çalışma adımlarından farklı olabilir

11

Pozisyon numaraları **Genel bakış** resminde kullanılır ve **Ürüne genel bakış** bölümündeki açıklama numaralarına referans niteliğindedir



Bu işaret, ürün ile çalışırken dikkatinizi çekmek için koyulmuştur.

1.3 Ürüne bağlı semboller

1.3.1 Üründeki semboller

Üründe aşağıdaki semboller kullanılmıştır:



Darbesiz delme

/min

Dakika başına devir

n_0

Ölçüm rölaneti devir sayısı



Doğru akım




Li-Ion

Lityum İyon akü



Kullanılan **Hilti** Lityum İyon akü tip serisi. **Usulüne uygun kullanım** bölümündeki bilgileri dikkate alınız.



| | |
|---|--|
|  | Ürün, iOS ve Android platformları ile uyumlu kablosuz veri aktarımını destekler. |
|  | Aküyü asla darbe aleti olarak kullanmayınız. |
|  | Aküyü düşürmeyiniz. Darbe almış veya hasar görmüş bir aküyü kullanmayınız. |

1.4 Ürün bilgileri

HILTI ürünleri profesyonel kullanıcıların kullanımı için öngörülmüştür ve sadece yetkili personel tarafından kullanılabilir ve bakımı yapılabilir. Bu personel, meydana gelebilecek tehlikeler hakkında özel olarak eğitim görmüş olmalıdır. Aletin ve ilgili yardımcı gereçlerin eğitimsiz personel tarafından usulüne uygun olmayan şekilde kullanılması ve amaçları dışında çalıştırılması sonucu tehlikeli durumlar söz konusu olabilir. Tip tanımlı ve seri numarası, tip plakası üzerinde belirtilmiştir.

- Seri numarasını aşağıdaki tabloya aktarınız. Ürün bilgileri acente veya servis merkezini aradığınızda sorulabilir.
Ürün bilgileri → Sayfa 121

Ürün bilgileri

| | |
|--------------------------------|----------------------|
| Akülü delme/vidalama makinesi: | SFC 22-A SFC 14-A |
| Nesil: | 01 |
| Seri no.: | |

1.5 Uygunluk beyanı

Burada tanımlanan ürünün, geçerli yönetmeliklere ve normlara uygun olduğunu kendi sorumluluğumuzda beyan ederiz. Bu dokümantasyonun sonunda uygunluk beyanının bir kopyasını bulabilirsiniz.

Teknik dokümantasyonlar eklidir:

Hilti Entwicklungsgesellschaft mbH | Zulassung Geräte | Hiltistraße 6 | 86916 Kaufering, DE

2 Güvenlik

2.1 Elektrikli el aletleri için genel güvenlik uyarıları

⚠ İKAZ! Tüm güvenlik uyarılarını ve talimatlarını okuyunuz. Güvenlik uyarılarına ve talimatlara uyulmasındaki ihmallere elektrik çarpması, yanma ve/veya ağır yaralanmalara sebep olabilir. Tüm güvenlik uyarılarını ve kullanım talimatlarını muhafaza ediniz.

İş yeri güvenliği

- **Çalışma alanınızı temiz ve aydınlık tutunuz.** Düzensiz veya aydınlatma olmayan çalışma alanları kazalara yol açabilir.
- **Yanıcı sıvıların, gazların veya tozların bulunduğu patlama tehlikesi olan yerlerde elektrikli el aleti ile çalışmayınız.** Elektrikli el aletleri, toz veya buharı yakabilecek kıvılcım oluşturur.
- **Elektrikli el aletini kullanırken çocukları ve diğer kişileri uzak tutunuz.** Dikkatiniz dağılırsa aletin kontrolünü kaybedebilirsiniz.

Elektrik güvenliği

- **Topraklanan yüzeyler (örneğin borular, ısıtma sistemleri, ocaklar ve buzdolapları) ile temastan kaçınınız.** Vücudunuzun toprakla teması var ise yüksek bir elektrik çarpması riski söz konusudur.
- **Elektrikli el aletini yağmurdan veya ıslaklıktan uzak tutunuz.** Elektrikli el aletine su girmesi, elektrik çarpması riskini artırır.

Kişilerin güvenliği

- **Dikkatli olunuz, ne yaptığınıza dikkat ediniz ve elektrikli el aleti ile çalışırken mantıklı davranınız.** Yorgunsanız veya uyuşturucu, alkol veya ilaç etkisi altında iseniz elektrikli el aletini kullanmayınız. Elektrikli el aletini kullanırken bir anlık dikkatsizlik ciddi yaralanmalara neden olabilir.
- **Kişisel koruyucu donanım ve her zaman bir koruyucu gözlük takınız.** Elektrikli el aletinin türüne ve kullanımına göre toz maskesi, kaymayan güvenlik ayakkabısı, koruyucu kask veya kulaklık gibi kişisel koruyucu donanımların kullanılması yaralanma riskini azaltır.



2073071

Türkçe

121

- ▶ **İstem dışı çalışmayı önleyiniz. Aküyü bağlamadan, yerleştirmeden veya taşımadan önce elektrikli el aletin kapalı olduğundan emin olunuz.** Elektrikli el aletini taşırken parmağınız şalterde ise veya alet açık konumda güç kaynağına takılırsa bu durum kazalara yol açabilir.
- ▶ **Elektrikli el aletini devreye almadan önce ayar aletlerini veya vidalama anahtarlarını çıkartınız.** Dönen bir alet parçasında bulunan bir alet veya anahtar yaralanmalara yol açabilir.
- ▶ **Aşırı bir vücut hareketinden sakınınız. Güvenli bir duruş sağlayınız ve her zaman dengeli tutunuz.** Böylece beklenmedik durumlarda elektrikli el aletini daha iyi kontrol edebilirsiniz.
- ▶ **Uygun kıyafetler giyiniz. Bol kıyafetler giymeyiniz veya takı takmayınız. Saçları, kıyafetleri ve eldivenleri hareket eden parçalardan uzak tutunuz.** Bol kıyafetler, takı veya uzun saçlar hareket eden parçalara takılabilir.
- ▶ **Toz emme ve tutma tertibatları monte edilebiliyorsa bunların bağlı olduğundan ve doğru kullanıldığından emin olunuz.** Bu toz emme tertibatının kullanımı tozdan kaynaklanabilecek tehlikeleri azaltabilir.

Elektrikli el aletin kullanımı ve çalıştırılması

- ▶ **Aleti çok fazla zorlamayın. Çalışmanız için uygun olan elektrikli el aletini kullanın.** Uygun elektrikli el aleti ile bildirilen hizmet alanında daha iyi ve güvenli çalışırsınız.
- ▶ **Şalteri bozuk olan elektrikli el aletini kullanmayınız.** Açılıp kapatılmayan bir elektrikli el aleti tehlikelidir ve tamir edilmesi gerekir.
- ▶ **Aletin ayarlarını yapmadan, aksesuar parçalarını değiştirmeden veya aleti başka bir yere koymadan önce aküyü çıkartınız.** Bu önlem, elektrikli el aletin istem dışı çalışmasını engeller.
- ▶ **Kullanılmayan elektrikli el aletlerini çocukların erişemeyeceği yerde muhafaza edin. Aleti iyi tanımayan veya bu talimatları okumamış kişilere aleti kullanırmayın.** Elektrikli el aletleri bilgisiz kişiler tarafından kullanılırsa tehlikelidir.
- ▶ **Elektrikli el aletlerinin bakımını özenle yapınız. Hareketli parçaların kusursuz çalıştığı ve sıkışmadığı, parçaların kırılıp kırılmadığı veya hasar görüp görmediği, elektrikli el aleti fonksiyonlarının kısıtlanma durumlarını kontrol ediniz. Hasarlı parçaları aleti kullanmadan önce tamir ettiriniz.** Birçok kazanın nedeni bakımı kötü yapılan elektrikli el aletleridir.
- ▶ **Kesme aletlerini keskin ve temiz tutun.** Özenle bakımı yapılmış keskin bıçak kenarı olan kesme aletleri daha az sıkışır ve kullanımı daha rahattır.
- ▶ **Elektrikli el aletini, aksesuarları, ek aletleri vb. bu talimatlara göre kullanın. Çalışma şartlarını ve yapılacak işi de ayrıca göz önünde bulundurun.** Elektrikli el aletlerinin öngörülen kullanımı dışında kullanılması tehlikeli durumlara yol açabilir.

Akülü el aletin kullanımı ve çalıştırılması

- ▶ **Aküler sadece üretici tarafından tavsiye edilen şarj cihazları ile şarj ediniz.** Belirli bir akü için uygun olan bir şarj cihazı, başka akülerle kullanılırsa yanma tehlikesi vardır.
- ▶ **Elektrikli el aletlerinde sadece bunun için öngörülen aküler kullanılmalıdır.** Başka akülerin kullanılması yaralanmalara ve yanma tehlikelerine yol açabilir.
- ▶ **Kullanılmayan aküleri, kontakların köprülenmesine sebep olabilecek ataçlar, madeni paralar, anahtarlar, çiviler, vidalar veya diğer küçük metal cisimlerden uzak tutunuz.** Akü kontakları arasındaki kısa devre yanmalara veya alev oluşumuna sebep olabilir.
- ▶ **Yanlış kullanımda aküden sıvı çıkabilir. Bunlar ile teması önleyiniz.** Dışarı akan akü sıvısı cilt tahrişine ve yanmalarına yol açabilir. Yanlışlıkla temasta su ile durulayınız. Bu sıvı gözle teması ederse ayrıca tıbbi yardım alınız.

Servis

- ▶ **Elektrikli el aletinizi sadece kalifiye uzman personele ve sadece orijinal yedek parçalar ile tamir ettiriniz.** Böylece elektrikli el aletin güvenliğinin korunduğundan emin olunur.

2.2 Matkaplar için güvenlik uyarıları

- ▶ **Aletle birlikte verilen ek tutamakları kullanınız.** Kontrol kaybı yaralanmalara yol açabilir.
- ▶ **Kullandığınız aletin gizli elektrik hatlarına temas edebileceği yerlerde çalışıyorsanız aleti izolasyonlu tutamaklardan tutunuz.** Elektrik ileten bir hat ile temasta metal parçalar da gerilim altında kalır ve elektrik çarpmasına neden olabilir.

2.3 Vidalama makinesi ek güvenlik uyarıları

Kişilerin güvenliği

- ▶ **Ürünü sadece teknik açıdan sorunsuz durumdakten kullanın.**
- ▶ **Alette hiç bir zaman manipülasyon veya değişiklik yapmayınız.**
- ▶ **Aletle birlikte verilen ek tutamakları kullanın.** Kontrol kaybı yaralanmalara yol açabilir.
- ▶ **Aleti, her zaman iki elinizle öngörülen tutamaklardan sıkıca tutun.** Tutamakları kuru ve temiz tutun.



- ▶ Dönen parçalara temas etmekten kaçınınız - Yaralanma tehlikesi!
- ▶ Aletin kullanımı sırasında uygun bir koruyucu gözlük, koruyucu kask, kulaklık, koruyucu eldiven ve hafif bir solunum koruma maskesi takınız.
- ▶ Matkap ucu değişimi sırasında koruyucu eldiven takınız. Ek alete takılan uçlara dokunmak kesik ve yanık türünde yaralanmalara yol açabilir.
- ▶ Koruyucu gözlük kullanınız. Etrafa sıçrayan malzeme vücudu ve gözleri yaralayabilir.
- ▶ Çalışmaya başlamadan önce çalışma sırasında ortaya çıkan tozun tehlike sınıfını öğrenin. Ülkenizdeki tozdan koruma yönergelerine uygun bir resmi koruma sınıfına sahip toz emme tertibatı kullanın. Kurşun içeren boyalar gibi malzemelerin tozu, bazı ahşap türleri, kuartz içeren beton / duvar / taşlar, mineraller ve metaller sağlığa zarar verebilir.
- ▶ Çalışma yerinin iyi havalandırmasını sağlayınız ve gerektiği durumlarda ilgili toz için uygun olan bir maske kullanınız. Tozlara dokunulması veya tozların solunması, kullanıcıda veya yakınında bulunan kişilerde alerjik reaksiyonlara ve/veya solunum yolu hastalıklarına yol açabilir. Kayın veya meşe ağacı gibi belli tür tozlar özellikle ahşap işlemede ek maddelerle (kromat, ahşap koruyucu malzemeler) bağlantılı çalışıldığında kanser yapıcı olarak kabul edilir. Asbest içerikli malzemeler sadece uzman kişiler tarafından işlenmelidir.
- ▶ Parmaklarınızdaki kan dolaşımının daha iyi olması için çalışma molaları veriniz ve parmak egzersizleri yapınız. Uzun süreli çalışmalarda titreşimden dolayı parmaklar, eller veya bileklerdeki kan damarlarında veya sinir sisteminde rahatsızlıklar oluşabilir.

Elektrik güvenliği

- ▶ Çalışmaya başlamadan önce çalışma alanında üzeri kapatılmış elektrik kablosu, gaz ve su borusu bulunup bulunmadığını kontrol ediniz. Bir elektrik hattına kazara zarar verilmesi halinde, aletin dışındaki metal parçalar elektrik çarpmasına neden olabilir.

Elektrikli el aletleri ile dikkatli çalışılması ve aletin doğru kullanılması

- ▶ Takımın bloke olması halinde, elektrikli el aletini derhal kapatınız. Alet yana doğru kayabilir.
- ▶ Yere koymadan önce elektrikli el aletinin tamamen durmasını bekleyiniz.

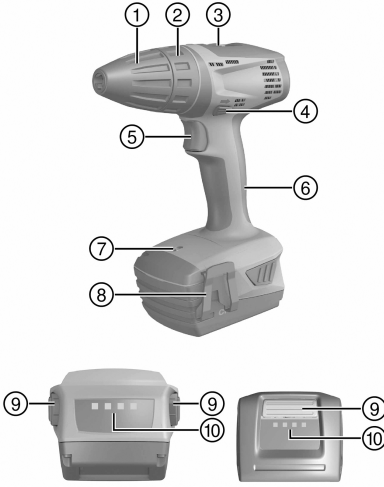
2.4 Akülü aletlerin özenli çalıştırılması ve kullanımı

- ▶ Lityum İyon akülerin taşıma, depolama ve kullanımına yönelik özel talimatları dikkate alınız.
- ▶ Aküler, yüksek sıcaklıklarda, doğrudan güneş ışığından ve ateşten uzak tutulmalıdır.
- ▶ Aküler parçalarına ayrılmalı, ezilmemeli, 80°C üzerine ısıtılmamalı veya yakılmamalıdır.
- ▶ Darbe almış, bir metreden daha yüksek bir yerden düşmüş veya başka bir şekilde hasar görmüş aküler kullanmayınız veya şarj etmeyiniz. Bu durumda her zaman **Hilti servisi** ile irtibat kurunuz.
- ▶ Akü tutulamayacak kadar sıcaksa arızalı olabilir. Ürünü yanıcı malzemelerden yeterli bir uzaklıkta, gözlemleyebileceğiniz yanmaz bir zemin üzerine koyunuz ve soğuması için bırakınız. Bu durumda her zaman **Hilti servisi** ile irtibat kurunuz.



3 Tanımlama

3.1 Genel bakış



- ① Anahtarsız mandren
- ② Tork ve delme için ayar halkası
- ③ İkili vites şalteri
- ④ Çalıştırma kilidi olan sağa/sola dönüş değiştirme şalteri
- ⑤ Kumanda şalteri (elektronik devir sayısı kumandalı)
- ⑥ Tutamak
- ⑦ Lamba
- ⑧ Kemer kancası (opsiyonel)
- ⑨ "Şarj durumu göstergesinin devreye alınması" ilave fonksiyonuna sahip kilit açma düğmeleri
- ⑩ Şarj durumu ve hata göstergesi (Lityum İyon akü)

3.2 Usulüne uygun kullanım

Tanımlanan ürün, elle kullanılan, aküyle çalışan bir delme/vidalama makinesidir. Vidalama ve vida sökmeye ile çelik, ahşap ve plastik yüzeylerde delme işleri için tasarlanmıştır.

- Bu ürün için sadece B14 ve B22 tip serisi **Hilti** Lityum İyon aküler kullanılmalıdır.
- Bu aküler için sadece C4/36 serisi **Hilti** şarj cihazları kullanınız.

3.3 Şarj durumu göstergesi

Lityum İyon akülerin şarj durumu, kilit açma tuşuna dokunulduğunda gösterilir.

| Durum | Anlamı |
|----------------------|-----------------------------------|
| 4 LED yanıyor. | Şarj durumu: % 75 ile %100 arası |
| 3 LED yanıyor. | Şarj durumu: % 50 ile %75'e kadar |
| 2 LED yanıyor. | Şarj durumu: % 25 ile %50'e kadar |
| 1 LED yanıyor. | Şarj durumu: % 10 ile %25 arası |
| 1 LED yanıp sönüyor. | Şarj durumu: < % 10 |



Kumanda şalteri devredeyken, şarj durumu sorgulama olanaksızdır.

3.4 Teslimat kapsamı

Delme/vidalama makinesi, kullanım kılavuzu.

- Ürünleriniz için izin verilen diğer sistem ürünlerini **Hilti** Center veya internetteki şu adreste bulabilirsiniz: www.hilti.group.



4 Teknik veriler

4.1 Teknik veriler

| | SFC 14-A | SFC 22-A |
|------------------------------------|--------------------------------|--------------------------------|
| Nominal gerilim | 14,4 V | 21,6 V |
| EPTA Prosedürü 01 uyarınca ağırlık | 1,5 kg | 2,4 kg |
| 1. vites devir sayısı | 0 dev/dak ... 500 dev/dak | 0 dev/dak ... 600 dev/dak |
| 2. vites devir sayısı | 0 dev/dak ... 1.700 dev/dak | 0 dev/dak ... 1.800 dev/dak |
| Tork (maks.) | 24 Nm | 28 Nm |
| Tork ayarı (15 kademe) | 1,5 Nm ... 10 Nm | 1,5 Nm ... 10 Nm |

4.2 Akü

| | |
|-------------------------------------|------------------|
| Akü çalışma gerilimi | 14,4 V |
| İşletim sırasındaki ortam sıcaklığı | -17 °C ... 60 °C |
| Depolama sıcaklığı | -20 °C ... 40 °C |
| Şarj başlangıcında akü sıcaklığı | -10 °C ... 45 °C |

4.3 Akü

| | |
|-------------------------------------|------------------|
| Akü çalışma gerilimi | 21,6 V |
| İşletim sırasındaki ortam sıcaklığı | -17 °C ... 60 °C |
| Depolama sıcaklığı | -20 °C ... 40 °C |
| Şarj başlangıcında akü sıcaklığı | -10 °C ... 45 °C |

4.4 EN 60745 uyarınca ses bilgisi ve titreşim değerleri

Bu talimatlarda belirtilen ses basıncı ve titreşim değerleri, ilgili normlara uygun bir ölçüm metodu ile ölçülmüştür ve elektrikli el aletlerinin birbirleri ile karşılaştırılması için kullanılabilir. Zorlanmaların geçici olarak değerlendirilmesine de uygundur. Belirtilen değerler, elektrikli el aletinin ana kullanım alanlarını temsil eder. Elektrikli el aletinin, farklı ek aletlerle veya yetersiz bakım yapılmış şekilde kullanılması durumunda, veriler sapma gösterebilir. Bu durum, toplam çalışma süresi boyunca zorlanmayı belirgin şekilde yükseltebilir. Doğru bir zorlanma değerlendirmesi için aletin kapatıldığı veya çalışır konumda olduğu ve ayrıca kullanımda olmadığı zamanlar da dikkate alınmalıdır. Bu durum, toplam çalışma süresi boyunca zorlanmayı belirgin şekilde azaltabilir. Kullanıcıyı ses ve/veya titreşim etkilerinden koruyacak ek güvenlik önlemleri belirleyiniz, örneğin: Elektrikli el aletinin ve ek aletlerin bakımının yapılması, ellerin sıcak tutulması, iş akışlarının düzenlenmesi.

Ses emisyonu değerleri

| | SFC 14-A | SFC 22-A |
|--|----------|----------|
| Emisyon ses basıncı seviyesi (L_{pA}) | 69 dB(A) | 69 dB(A) |
| Ses basıncı seviyesi için emniyetsizlik (K_{pA}) | 3 dB(A) | 3 dB(A) |
| Ses gücü seviyesi | 80 dB(A) | 80 dB(A) |
| Emniyetsizlik ses gücü seviyesi (K_{WA}) | 3 dB(A) | 3 dB(A) |

Toplam titreşim değerleri

| | SFC 14-A | SFC 22-A |
|--|------------------------|------------------------|
| Cıvata titreşim emisyon değeri (a_h) | < 2 m/sn ² | < 2 m/sn ² |
| Emniyetsizlik vidalama (K) | 1,5 m/sn ² | 1,5 m/sn ² |
| Metalde delme ($a_{h,D}$) | 2,67 m/sn ² | 2,67 m/sn ² |
| Metalde delme için emniyetsizlik (K) | 1,5 m/sn ² | 1,5 m/sn ² |



5 Çalışma hazırlığı

DİKKAT

Yaralanma tehlikesi kazara çalışmaya başlama nedeniyle!

- ▶ Aküyü takmadan önce ilgili ürünün kapalı konumda olduğundan emin olunuz.
- ▶ Cihazın ayarlarını yapmadan veya aksesuarları değiştirmeden önce aküyü çıkartınız.

Bu dokümanda ve ürün üzerinde bulunan güvenlik ve uyarı bilgilerine dikkat ediniz.

5.1 Akünün şarj edilmesi

1. Şarj etmeden önce şarj cihazının kullanım kılavuzunu okuyunuz.
2. Akü ve şarj cihazının kontaklarının temiz ve kuru olmasına dikkat ediniz.
3. Aküyü izin verilen şarj cihazında şarj ediniz.

5.2 Akünün yerleştirilmesi

DİKKAT

Yaralanma tehlikesi kısa devre veya akünün düşmesi nedeniyle!

- ▶ Aküyü yerleştirmeden önce, akü kontaklarında ve ürün içindeki kontaklarda yabancı cisim bulunmadığından emin olunuz.
 - ▶ Akünün her zaman tam oturduğundan emin olunuz.
1. İlk kullanım öncesinde akü tamamen şarj edilmelidir.
 2. Aküyü, duyulur şekilde yerine oturana kadar cihaz tutucusuna bastırınız.
 3. Akünün alette emniyetli bir şekilde yerleşip yerleşmediğini kontrol ediniz.

5.3 Akünün çıkartılması

1. Akünün serbest bırakma düğmelerine basınız.
2. Aküyü aletten çıkartınız.

5.4 Kemer kancasının takılması (opsiyonel)

İKAZ

Yaralanma tehlikesi. Aletin düşmesi, size veya etrafınızdakilere zarar verebilir.

- ▶ Çalışmaya başlamadan önce kemer halkasının emniyetli bir şekilde sabitlenip sabitlenmediğini kontrol ediniz.



Kemer kancası ile aleti vücuda bitişik şekilde kemerden sabitleyebilirsiniz. Kemer kancası, sağda veya solda taşıma için monte edilebilir.

- ▶ Kemer kancasını takınız.

5.5 Ek aletin yerleştirilmesi

1. Sağa/sola dönüş değiştirme şalterini orta konuma getiriniz veya aküyü aletten ayırınız.
2. Ek aletin giriş ucunun temiz olup olmadığını kontrol ediniz. Gerekirse giriş ucunu temizleyiniz.
3. Anahtarsız mandreni açınız.
4. Ek aleti anahtarsız mandrene yerleştiriniz ve anahtarsız mandreni, birkaç defa mekanik klik sesi duyulana kadar döndürerek sıkınız.
5. Ek aletin yerine oturup oturmadığını kontrol ediniz.

6 Kullanım

Bu dokümanda ve ürün üzerinde bulunan güvenlik ve uyarı bilgilerine dikkat ediniz.



6.1 Vites seçimi 3

- Vitesi seçiniz.

6.2 Sağa/sola doğru çalışma ayarı 4



Bir kilit, motor çalışırken değiştirmeyi engeller. Kumanda şalterinin orta konumu bloke olmuştur (çalıştırma kilidi).

- Sağa/sola dönüş değiştirme şalterini istediğiniz dönüş yönüne ayarlayınız.

6.3 Açma

- Kumanda şalterine basınız.



Kumanda şalterine basma miktarınıza göre devir sayısı kademesiz olarak maksimum devir sayısına kadar ayarlanabilir.

6.4 Vidalama

1. Tork ve fonksiyon ayar halkası üzerinden gerekli torku ayarlayınız.
2. Sağa/sola dönüş değiştirme şalteri ile istenen dönüş yönünü ayarlayınız.

6.5 Delme

1. Tork ve fonksiyon ayar halkasını sembolüne getiriniz.
2. Sağa/sola dönüş değiştirme şalterini, sağ konuma getiriniz.

6.6 Kapatılması

- Kumanda şalterini bırakınız.

6.7 Ek aletin çıkarılması

1. Sağa/sola dönüş değiştirme şalterini orta konuma getiriniz veya aküyü aletten ayırınız.
2. Anahtarsız mandreni açınız.
3. Ek aleti anahtarsız mandrenden çekiniz.

7 Bakım ve onarım



İKAZ

Takılı aküden dolayı yaralanma tehlikesi !

- Tüm bakım ve onarım çalışmalarından önce her zaman aküyü çıkarınız!

Alet bakımı

- Yapışmış olan kir dikkatlice çıkarılmalıdır.
- Havalandırma deliklerini kuru bir fırça ile dikkatlice temizleyiniz.
- Gövde sadece hafif nemli bir bezle temizlenmelidir. Plastik parçalara yapışabileceğinden silikon içerikli bakım maddeleri kullanılmamalıdır.

Lityum İyon akülerin bakımı

- Akü temiz ve yağ ve gresten uzak tutulmalıdır.
- Gövde sadece hafif nemli bir bezle temizlenmelidir. Plastik parçalara yapışabileceğinden silikon içerikli bakım maddeleri kullanılmamalıdır.
- Aletin içine nem girişi engellenmelidir.

Bakım

- Görünür tüm parçalarda hasar olup olmadığı ve kumanda elemanlarının sorunsuz şekilde çalıştığı kontrol edilmelidir.
- Hasar ve/veya fonksiyon arızaları durumunda ürün çalıştırılmamalıdır. Derhal Hilti servisi tarafından onarılmalıdır.



2073071

Türkçe

127

- Bakım ve onarım çalışmalarından sonra tüm koruma tertibatları yerleştirilmeli ve fonksiyonları kontrol edilmelidir.



Güvenli çalışma için sadece orijinal yedek parçalar ve sarf malzemeleri kullanınız. Tarafımızdan onaylanmış, yedek parçaları, aksesuarları ve sarf malzemelerini **Hilti Store** veya adresinde bulabilirsiniz. www.hilti.group.

8 Akü aletlerinin taşınması ve depolanması

Taşıma

DİKKAT

Taşıma sırasında aletin istem dışı çalışması !

- ▶ Ürünlerinizi her zaman aküler takılı olmadan taşıyınız!
- ▶ Akülerin çıkarılması.
- ▶ Aküler kesinlikle sıkıca bağlanmamış koruma ile taşınmamalıdır.
- ▶ Uzun süren depolama sonrası kullanmadan önce aletin ve akülerin hasar görmüş olup olmadığını kontrol ediniz.

Depolama

DİKKAT

Arızalı veya akan aküler nedeniyle beklenmeyen hasar oluşumu !

- ▶ Ürünlerinizi her zaman aküleri yerleştirmeden depolayınız!
- ▶ Aleti ve aküleri mümkün olduğunca soğuk ve kuru yerde depolayınız.
- ▶ Aküleri kesinlikle güneşte, sıcakta veya cam levhaların arkasında depolamayınız.
- ▶ Aleti ve aküleri çocukların ve yetki verilmeyen kişilerin ulaşamayacağı yerlerde depolayınız.
- ▶ Uzun süren depolama sonrası kullanmadan önce aletin ve akülerin hasar görmüş olup olmadığını kontrol ediniz.

9 Arıza durumunda yardım

9.1 Arıza durumunda yardım

Bu tabloda listelenmemiş veya kendi başınıza gideremediğiniz arızalarda lütfen yetkili **Hilti** servisimiz ile irtibat kurunuz.

| Arıza | Olası sebepler | Çözüm |
|--|--|--|
| Alet çalışmıyor. | Akü yerine tamamen takılmamış. | ▶ Aküyü duyulabilir bir çift klik sesi ile yerine oturtunuz. |
| | Akü deşarj olmuş. | ▶ Aküyü değiştiriniz ve boş aküyü şarj ediniz. |
| | Elektrik arızası. | ▶ Aküyü aletten çıkarınız ve Hilti servisi ile irtibat kurunuz. |
| Alet çalışmıyor ve bir LED yanıp sönüyor. | Akü deşarj olmuş. | ▶ Aküyü değiştiriniz ve boş aküyü şarj ediniz. |
| | Akü çok sıcak veya çok soğuk. | ▶ Akü tavsiye edilen çalışma sıcaklığına getirilmelidir. |
| Açma/kapatma şalterine basılamıyor veya bloke olmuş. | Sağa/sola dönüş değiştirme şalteri orta konumda. | ▶ Sağa/sola dönüş değiştirme şalterini sağa veya sola doğru bastırınız. |
| LED 1 yanıp sönüyor | Akü deşarj olmuş. | ▶ Aküyü değiştiriniz ve boş aküyü şarj ediniz. |
| | Alet aşırı yüklenmiş (kullanım sınırı aşılmış). | ▶ Tüm çalışmalardan önce ürününüzün performans verilerini dikkate alınız. Bkz. teknik veriler. |



| Arıza | Olası sebepler | Çözüm |
|---|------------------------------------|---|
| Akü normalden daha hızlı boşalıyor. | Çok düşük ortam sıcaklığı. | ► Aküyü yavaşça oda sıcaklığına ulaşacak biçimde ısınmaya bırakınız. |
| Akü paketi duyulabilir bir çift klik sesi ile yerine oturmuyor. | Akünün kilit tırnakları kirlenmiş. | ► Kilit tırnaklarını temizleyiniz ve aküyü yerine oturtunuz. Problem devam ederse Hilti servisi ile irtibat kurunuz. |

10 İmha

Hilti aletleri yüksek oranda geri dönüşümlü malzemelerden üretilmiştir. Geri dönüşüm için gerekli koşul, usulüne uygun malzeme ayrımıdır. Çoğu ülkede **Hilti**, eski aletlerini yeniden değerlendirilmek üzere geri alır. Bu konuda **Hilti** müşteri hizmetlerinden veya satış temsilcinizden bilgi alabilirsiniz.

Akülerin imha edilmesi

Akülerin usulüne uygun imha edilmemesi halinde, dışarı çıkan gaz ve sıvılar nedeniyle sağlık sorunları oluşabilir.

- Hasar görmüş aküleri hiç bir şekilde göndermeyiniz!
- Kısa devreleri önlemek için, akünün bağlantılarını iletken olmayan bir malzeme ile kapatınız.
- Aküleri, çocukların ellerine geçmeyecek şekilde imha ediniz.
- Aküyü size en yakın **Hilti Store**'da imha ediniz veya imha etmek için yetkili şirketinize başvurunuz.



- Elektrikli el aletlerini, elektronik cihazları ve aküleri evdeki çöplere atmayınız!

11 Çin RoHS (Tehlikeli madde kullanımını kısıtlama direktifi)

Aşağıda belirtilen internet bağlantılarında tehlikeli maddelerin tablosunu bulabilirsiniz: qr.hilti.com/r4793 (SFC 14-A) ve qr.hilti.com/r4833 (SFC 22-A).

RoHS tablosunun linkini bu dokümanın sonunda karekod olarak bulabilirsiniz.

12 Üretici garantisi

- Garanti koşullarına ilişkin sorularınız için lütfen yerel **Hilti** iş ortağınıza başvurunuz.



1 بيانات المستند

1.1 حول هذا المستند

- اقرأ هذه المستندات بالكامل قبل التشغيل. يعتبر هذا شرطا للعمل بشكل آمن والاستخدام بدون اختلالات.
- تراعى إرشادات الأمان والإرشادات التحذيرية الواردة في هذا المستند وعلى الجهاز.
- احتفظ بدليل الاستعمال دائما مع المنتج، ولا تعطي الجهاز لآخرين إلا مرفقا بهذا الدليل.

2.1 شرح العلامات

1.2.1 إرشادات تحذيرية

تنبه الإرشادات التحذيرية إلى الأخطار الناشئة عند التعامل مع الجهاز. يتم استخدام الكلمات الدلالية التالية:



خطر!

تشير لخطر مباشر يؤدي لإصابات جسدية خطيرة أو إلى الوفاة.



تحذير!

تشير لخطر محتمل قد يؤدي لإصابات جسدية خطيرة أو إلى الوفاة.



احترس!

تشير لموقف خطر محتمل يمكن أن يؤدي لإصابات جسدية خفيفة أو أضرار مادية.

2.2.1 الرموز في المستند

يتم استخدام الرموز التالية في هذا المستند:

| | |
|---|--|
| قبل الاستخدام اقرأ دليل الاستعمال | |
| إرشادات الاستخدام ومعلومات أخرى مفيدة | |
| التعامل مع مواد قابلة لإعادة التدوير | |
| لا تتخلص من الأجهزة الكهربائية البطاريات ضمن القمامة المنزلية | |

3.2.1 الرموز في الصور

تستخدم الرموز التالية في الرسوم التوضيحية:

| | |
|---|----------|
| تشير هذه الأعداد إلى الصور المعنية بمطلع هذا الدليل | 2 |
| ترقيم الصور يمثل ترتيب خطوات العمل في الصور، وقد يختلف عن ترقيم خطوات العمل في النص | 3 |
| يتم استخدام أرقام المواضع في صورة العرض العام وهي تشير إلى أرقام تعليق الصورة في فصل عرض عام للمنتج | 11 |
| ينبغي أن تسترعي هذه العلامة اهتماما خاصا عند التعامل مع المنتج. | |

3.1 الرموز المرتبطة بالمنتج

1.3.1 الرموز على المنتج

يتم استخدام الرموز التالية على المنتج:



| | |
|---|--------|
| الثقب بدون طرق | |
| عدد اللفات في الدقيقة | /min |
| عدد اللفات الاسمي في الوضع المحايد | n_0 |
| تيار مستمر | --- |
| بطارية أيونات الليثيوم | Li-Ion |
| بطاريات أيونات الليثيوم Hilti المستخدمة من النوع. احرص على مراعاة التعليمات الواردة في الفصل الاستخدام المطابق للتعليمات. | |
| يدعم المنتج عملية نقل البيانات لاسلكياً، والتي تتوافق مع منصات أجهزة آيفون وأندرويد. | |
| لا تستخدم البطارية أبداً كمطرقة. | |
| لا تدع البطارية تسقط. لا تستخدم بطارية تعرضت لصدمات أو أي نوع آخر من التلفيات. | |

4.1 معلومات المنتج

منتجات **HILTI** مصممة للمستخدمين المحترفين ويقصر استعمالها وصيانتها وإصلاحها على الأشخاص المعتمدين والمدربين جيداً. هؤلاء الأشخاص يجب أن يكونوا قد تلقوا تدريباً خاصاً على الأخطار الطارئة. قد يتسبب الجهاز وأدواته المساعدة في حدوث أخطار إذا تم التعامل معها بشكل غير سليم فنياً من قبل أشخاص غير مدربين أو تم استخدامها بشكل غير مطابق للتعليمات.

يوجد مدرسين أو تم استخدامها بشكل غير مطابق للتعليمات. يوجد مسمى الطراز والرقم المسلسل على لوحة الصنع.
 ◀ انقل الرقم المسلسل في الجدول التالي. ستحتاج إلى بيانات المنتج في حالة الاستفسارات الموجهة إلى ممثلينا أو مركز الخدمة.
 بيانات المنتج – صفحة 131

بيانات المنتج

| | |
|----------------------|--------------------------------------|
| SFC 22-A SFC 14-A | المفك الآلي الثقاب العامل بالبطارية: |
| 01 | الجيل: |
| | الرقم المسلسل: |

5.1 بيان المطابقة

نقر على مسؤوليتنا الفردية بأن المنتج المشروع هنا متوافق مع التشريعات والمواصفات المعمول بها. تجد صورة لبيان المطابقة في نهاية هذا المستند.

المستندات الفنية محفوظة هنا:

Hilti Entwicklungsgesellschaft mbH | Zulassung Geräte | Hiltistraße 6 | 86916 Kaufering, DE

2 السلامة

1.2 إرشادات السلامة العامة المتعلقة بالأدوات الكهربائية

⚠ تحذير! احرص على قراءة جميع إرشادات السلامة والتعليمات. أي تقصير أو إهمال في تطبيق إرشادات السلامة والتعليمات قد يتسبب في حدوث صدمة كهربائية أو حريق و/أو إصابات خطيرة.
 احتفظ بجميع مستندات إرشادات السلامة والتعليمات لاستخدامها عند الحاجة إليها فيما بعد.

سلامة مكان العمل

- ◀ حافظ على نطاق عملك نظيفاً ومضاءً بشكل جيد. الفوضى أو أماكن العمل غير المضاءة يمكن أن تؤدي لوقوع حوادث.
- ◀ لا تعمل بالأداة الكهربائية في محيط معرض لخطر الانفجار يتواجد به سوائل أو غازات أو أنواع غبار قابلة للاشتعال. الأدوات الكهربائية تولد شرراً يمكن أن يؤدي لإشعال الغبار والأبخرة.



- ◀ **احرص على إبعاد الأطفال والأشخاص الآخرين أثناء استخدام الأداة الكهربائية.** في حالة انصراف انتباهك قد تفقد السيطرة على الجهاز.
- السلامة الكهربائية**
- ◀ **تجنب تلامس الجسم مع الأسطح المؤرضة مثل المواسير وأجهزة التدفئة والمواقد والثلاجات.** ينشأ خطر متزايد من حدوث صدمة كهربائية عندما يكون جسمك متصلاً بالأرض.
- ◀ **أبعد الأدوات الكهربائية عن الأمطار أو البلل.** تسرب الماء إلى داخل الأداة الكهربائية يزيد من خطر حدوث صدمة كهربائية.
- سلامة الأشخاص**
- ◀ **كن يقظاً وانتبه لما تفعل وتعامل مع الأداة الكهربائية بتعقل عند العمل بها.** لا تستخدم الأداة الكهربائية عندما تكون متعباً أو تحت تأثير المخدرات أو الكحوليات أو العقاقير. فقد يتسبب عدم الانتباه للحظة واحدة أثناء استخدام الأداة الكهربائية في حدوث إصابات خطيرة.
- ◀ **ارتد تجهيزات وقاية شخصية وارتد دائماً نظارة واقية.** ارتداء تجهيزات وقاية شخصية، مثل قناع الوقاية من الغبار وأحذية الأمان المضادة للانزلاق وخوذة الوقاية أو واقى السمع، تبعاً لنوع واستخدام الأداة الكهربائية، يقلل من خطر الإصابات.
- ◀ **تجنب التشغيل بشكل غير مقصود.** تأكد أن الأداة الكهربائية مطفأة قبل توصيلها بالبطارية وقبل رفعها أو حملها. إذا كان إصبعك على المفتاح عند حمل الأداة الكهربائية أو كان الجهاز في وضع التشغيل عند التوصيل بالكهرباء، فقد يؤدي ذلك لوقوع حوادث.
- ◀ **أبعد أدوات الضبط أو مفاتيح ربط البراغي قبل تشغيل الأداة الكهربائية.** الأداة أو المفتاح المتواجد في جزء دوار من الجهاز يمكن أن يؤدي لحدوث إصابات.
- ◀ **تجنب اتخاذ وضع غير طبيعي للجسم.** احرص على أن تكون واقفاً بأمان وحافظ على توازنك في جميع الأوقات. من خلال ذلك تستطيع السيطرة على الأداة الكهربائية بشكل أفضل في المواقف المفاجئة.
- ◀ **ارتد ملابس مناسبة.** لا ترتد ملابس فضفاضة أو حلي. احرص على أن يكون الشعر والملابس والقفازات بعيدة عن الأجزاء المتحركة. الملابس الفضفاضة أو الحلي أو الشعر الطويل يمكن أن تشبك في الأجزاء المتحركة.
- ◀ **إذا أمكن تركيب تجهيزات شفت وتجميع الغبار، فتأكد أنها موصلة ومستخدمة بشكل سليم.** استخدام تجهيزة شفت الغبار يمكن أن يقلل الأخطار الناتجة عن الغبار.
- استخدام الأداة الكهربائية والتعامل معها**
- ◀ **لا تفرط في التحميل على الجهاز.** استخدم الأداة الكهربائية المناسبة للعمل الذي تقوم به. استخدام الأداة الكهربائية المناسبة يتبع لك العمل بشكل أفضل وأكثر أماناً في نطاق العمل المقرر.
- ◀ **لا تستخدم أداة كهربائية ذات مفتاح تالف.** الأداة الكهربائية التي لم يعد يمكن تشغيلها أو إطفائها تمثل خطورة ويجب إصلاحها.
- ◀ **اخلع البطارية من الجهاز قبل إجراء عمليات ضبط الجهاز، أو استبدال أجزاء الملحقات أو عند ترك الجهاز دون استخدام.** هذا الإجراء الوقائي يمنع بدء تشغيل الأداة الكهربائية دون قصد.
- ◀ **احتفظ بالأدوات الكهربائية غير المستخدمة بعيداً عن متناول الأطفال.** لا تسمح باستخدام الجهاز من قبل أشخاص ليسوا على دراية به أو لم يقرأوا هذه التعليمات. الأدوات الكهربائية خطيرة في حالة استخدامها من قبل أشخاص ليست لديهم الخبرة الواجبة.
- ◀ **احرص على العناية التامة بالأدوات الكهربائية.** افحص الأجزاء المتحركة من حيث أدائها لوظيفتها بدون مشاكل وعدم انحصارها وافحصها من حيث وجود أجزاء مكسورة أو متعرضة للضرر يمكن أن تؤثر سلباً على وظيفة الأداة الكهربائية. اعمل على إصلاح الأجزاء التالفة قبل استخدام الجهاز. الكثير من الحوادث مصدرها الأدوات الكهربائية التي تم صيانتها بشكل رديء.
- ◀ **حافظ على أدوات القطع حادة ونظيفة.** تتميز أدوات القطع ذات حواف القطع المادة المعتنى بها بدقة بأنها أقل عرضة للتعثُر وأسهل في التعامل.
- ◀ **استخدم الأداة الكهربائية والملحقات وأدوات العمل وخلافه طبقاً لهذه التعليمات.** احرص في هذه الأثناء على مراعاة اشتراطات العمل والمهمة المراد تنفيذها. استخدام الأدوات الكهربائية في تطبيقات غير تلك المقررة لها يمكن أن يؤدي لمواقف خطيرة.
- استخدام الأداة العاملة بالبطارية والتعامل معها**
- ◀ **لا تشحن البطارية إلا في أجهزة شحن موصى بها من قبل الجبة الصانعة.** بالنسبة لجهاز الشحن المناسب لنوع معين من البطاريات، ينشأ خطر الحريق عند استخدامه مع بطاريات أخرى.
- ◀ **لا تضع في الأدوات الكهربائية سوى البطاريات المخصصة لها.** استخدام بطاريات أخرى يمكن أن يؤدي لوقوع إصابات وخطر الحريق.



- أبعد البطارية غير المستخدمة عن مشابك الورق وقطع النقود المعدنية والمفاتيح والمسامير والبراغي أو الأشياء المعدنية الصغيرة الأخرى التي يمكن أن تتسبب في توصيل الملامسين لبعضهما. حدوث قفلة كهربائية بين أطراف توصيل البطارية يمكن أن ينتج عنه حدوث حروق أو نشوب حريق.
- عند الاستخدام بشكل خاطئ يمكن أن يتسرب سائل من البطارية. تجنب ملامسته. سائل البطارية المتسرب يمكن أن يؤدي لتبجيش البشرة أو حدوث حروق. اشطفه بالماء في حالة ملامسته عن طريق الخطأ. إذا وصل السائل للعينين، فاطلب معاونة طبية بصفة إضافية.

الخدمة

- أعمل على إصلاح أدواتك الكهربائية على أيدي فنيين معتمدين فقط والاقصر على استخدام قطع الغيار الأصلية. وبذلك تتأكد أن سلامة الأداة الكهربائية تظل قائمة.

2.2 إرشادات السلامة للمثاقب

- استخدم المقابض الإضافية الموردة مع الجهاز. فقدان السيطرة يمكن أن يؤدي لوقوع إصابات.
- أمسك الجهاز من مواضع المسك المعزولة عند إجراء أعمال يحتمل فيها أن تتلامس أداة الشغل مع أسلاك كهربائية مخفية. حيث أن ملامسة سلك يسري فيه التيار الكهربائي يمكن أن ينقل الجهد الكهربائي للأجزاء المعدنية بالجهاز ويؤدي لحدوث صدمة كهربائية.

3.2 إرشادات السلامة الإضافية المتعلقة بالمفك الآلي

سلامة الأشخاص

- لاقتصر على استخدام المنتج وهو في حالة سليمة من الناحية الفنية.
- لا تقم أبداً بأية تدخلات أو تغييرات على الجهاز.
- استخدم المقابض الإضافية الموردة مع الجهاز. فقدان السيطرة يمكن أن يؤدي لوقوع إصابات.
- أمسك الجهاز دائماً بيدك من المقابض المعنية. حافظ على جفاف ونظافة المقابض.
- تجنب ملامسة الأجزاء الدوارة - خطر الإصابة!
- احرص أثناء استخدام الجهاز على استعمال نظارة واقية ملائمة وخوذة حماية وواقي للسمع وقفاز واقي وكمامة خفيفة للتنفس.
- ارتد قفازا واقيا أثناء تغيير الأدوات. ملامسة أداة الشغل قد تؤدي لوقوع إصابات بجروح قطعية وإصابة بحروق.
- استخدم واقياً للعينين. الشظايا المتطايرة يمكن أن تصيب الجسم والعيون.
- احرص قبل بدء العمل على معرفة فئة خطر الغبار الناشئ عند إجراء العمل. استخدم شفاط غبار أعمال الإنشاءات ذي فئة حماية مصرح بها رسمياً ومطابق للتعليمات المحلية الخاصة بالحماية من الغبار. الغبار الناتج عن خامات مثل الطلاء المحتوي على الرصاص وبعض أنواع الأخشاب والخرسانة/الجران والصخور المتوتوية على الكوارتز والمعادن الصخرية والمعادن هو غبار ضار بالصحة.
- احرص على وجود تهوية جيدة لمكان العمل وارتد عند اللزوم قناع تنفس مخصص لنوعية الغبار المنبعث. ملامسته أو استنشاقه قد يسبب أعراض حساسية و/أو أمراض الجهاز التنفسي للمستخدم أو للأشخاص المتواجدين على مقربة منه. هناك أنواع معينة مسرطنة من الغبار مثل غبار خشب البلوط أو غبار خشب الزان، ولا سيما إذا ارتبطت هذه الأنواع بمواد إضافية لمعالجة الأخشاب (مثل الكروم ومواد حماية الأخشاب). لا يجوز التعامل مع المواد المحتوية على الأسبستوس إلا من قبل فنيين متخصصين.
- خذ قسطاً من الراحة أثناء العمل وقم بتمارين لسريان الدم في الأصابع بشكل أفضل. عند القيام بأعمال لفترات طويلة فقد يحدث اضطرابات في الأوعية الدموية أو الجهاز العصبي بسبب كثرة الاهتزازات على الأصابع، الأيدي أو معصم اليد.

السلامة الكهربائية

- قبل بدء الأعمال افحص نطاق العمل من حيث وجود توصيلات كهرباء مغطاة أو مواسير للغاز والماء. الأجزاء المعدنية الخارجية بالجهاز يمكن أن تتسبب في صدمة كهربائية، إذا قمت دون قصد بإتلاف إحدى توصيلات التيار.

الاستخدام والتعامل بعناية مع الأدوات الكهربائية

- قم بإيقاف الأداة الكهربائية على الفور، بمجرد تعرض الأداة للإعاقة. يمكن أن ينحرف الجهاز جانباً.
- قبل التخزين انتظر إلى أن تتوقف الأداة الكهربائية تماماً.

4.2 التعامل بعناية مع الأجهزة العاملة بالبطاريات واستخدامها

- تراجع التعليمات الخاصة لنقل وتخزين وتشغيل بطاريات أيونات الليثيوم.
- أبعد البطاريات عن النار ودرجات الحرارة المرتفعة وأشعة الشمس المباشرة.

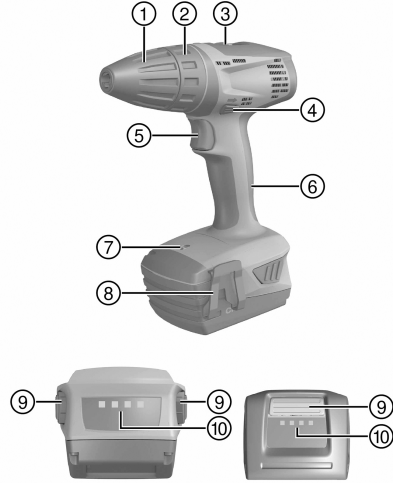


- ◀ لا يجوز تفكيك البطاريات أو سحقها أو وضعها في درجة حرارة أعلى من 80°م أو حرقها.
- ◀ لا تستخدم أو تشحن البطاريات التي تعرضت لصدمة، أو سقطت من ارتفاع يزيد على متر أو تعرضت لأية أضرار أخرى. في هذه الحالة، تواصل دائما مع خدمة Hilti.
- ◀ في حالة السخونة الشديدة للبطارية بحيث يتعذر الإمساك بها، فقد تكون تالفة. ضع المنتج في مكان غير قابل للاشتعال وعلى مسافة كافية من الخامات القابلة للاشتعال، وحيث يمكن مراقبته، واتركه حتى يبرد. في هذه الحالة، تواصل دائما مع خدمة Hilti.

3 الشرح

1.3 عرض عام

- ① ملقمة ريش الثقب سريعة الربط
- ② حلقة ضبط عزم الدوران والثقب
- ③ مفتاح ثنائي السرعات
- ④ مفتاح تحويل الدوران جهة اليمين/اليسار مزود بمانع تشغيل
- ⑤ مفتاح تحكم (مزود بنظام تحكم إلكتروني في عدد اللفات)
- ⑥ المقبض
- ⑦ لمبة
- ⑧ خفاف الحزام (تجهيز اختياري)
- ⑨ أزرار تحرير ذات وظيفة إضافية لتفعيل بيان حالة الشحن
- ⑩ بيان حالة الشحن وبيان الأخطاء (بطارية أيونات الليثيوم)



2.3 الاستخدام المطابق للتعليمات

- المنتج المشروح عبارة عن مفك آلي ثقب عامل بالبطارية ويدوي التوجيه. وهو مخصص لربط وفك البراغي، ولعمل الثقوب في الفولاذ والأخشاب والبلاستيك.
- ◀ اقتصر على استخدام Hilti بطاريات أيونات الليثيوم من النوع B14 و B22 لهذا المنتج.
 - ◀ اقتصر على استخدام أجهزة شحن Hilti من الفئة C4/36 لهذه البطاريات.

3.3 مبين حالة الشحن

يتم عرض حالة شحن بطارية أيونات الليثيوم بعد النقر على زر التحرير.

| الحالة | الاستعمال |
|---------------------------|----------------------------|
| تضيء أربع لمبات LED. | حالة الشحن: 75 % إلى 100 % |
| تضيء ثلاث لمبات LED. | حالة الشحن: 50 % إلى 75 % |
| تضيء اثنتان من لمبات LED. | حالة الشحن: 25 % إلى 50 % |
| تضيء لمبة LED واحدة. | حالة الشحن: 10 % إلى 25 % |
| تومض لمبة LED واحدة. | حالة الشحن: > 10 % |

عند استخدام مفتاح التحكم، لا يمكن الاستعلام عن حالة الشحن.



4.3 مجموعة التجهيزات الموردة

المفك الآلي الثقب، دليل الاستعمال.



- تجد المزيد من منتجات النظام المسموح بها لمنتجك لدى مركز Hilti الذي تتعامل معه أو على موقع الإنترنت: www.hilti.group.

4 المواصفات الفنية

1.4 المواصفات الفنية

| الجهاز SFC 22-A | الجهاز SFC 14-A | |
|------------------------------------|------------------------------------|------------------------------|
| 21.6 فلت | 14.4 فلت | الجهد الكهربائي الاسمي |
| 2.4 كجم | 1.5 كجم | الوزن طبقا لبروتوكول EPTA 01 |
| 0 لفة/دقيقة ... 600 لفة/دقيقة | 0 لفة/دقيقة ... 500 لفة/دقيقة | عدد لفات السرعة الأولى |
| 0 لفة/دقيقة ... 1,800 لفة/دقيقة | 0 لفة/دقيقة ... 1,700 لفة/دقيقة | عدد لفات السرعة الثانية |
| 28 نيوتن متر | 24 نيوتن متر | عزم الربط (الأقصى) |
| 1.5 نيوتن متر ... 10 نيوتن متر | 1.5 نيوتن متر ... 10 نيوتن متر | ضبط عزم الربط (15 مستوى) |

2.4 البطارية

| 14.4 فلت | جدد تشغيل البطارية |
|---------------|------------------------------------|
| 17- ... 60 °م | درجة الحرارة المحيطة أثناء التشغيل |
| 20- ... 40 °م | درجة حرارة التخزين |
| 10- ... 45 °م | درجة حرارة البطارية عند بدء الشحن |

3.4 البطارية

| 21.6 فلت | جدد تشغيل البطارية |
|---------------|------------------------------------|
| 17- ... 60 °م | درجة الحرارة المحيطة أثناء التشغيل |
| 20- ... 40 °م | درجة حرارة التخزين |
| 10- ... 45 °م | درجة حرارة البطارية عند بدء الشحن |

4.4 معلومات الضجيج وقيم الاهتزاز طبقا للمواصفة EN 60745

تم قياس قيم ضغط الصوت والاهتزاز الواردة في هذا الدليل طبقا لعملية قياس معايرة ويمكن الاستعانة بها في مقارنة الأدوات الكهربائية مع بعضها البعض. وهي تصلح أيضا لتقدير المخاطر بصورة مؤقتة. المواصفات الواردة تتعلق بالاستخدامات الأساسية للأداة الكهربائية. أما إذا تم استخدام الأداة الكهربائية في تطبيقات أخرى مع أدوات شغل مخالفة للمواصفات أو دون صيانة كافية، ففي هذه الحالة قد تختلف البيانات. وقد يزيد هذا من المخاطر خلال مدة العمل بالكامل بصورة واضحة. ولتقدير المخاطر تقديرا دقيقا ينبغي أيضا مراعاة الأوقات التي يتم فيها إيقاف الجهاز أو التي يكون فيها الجهاز مشغلا ولكن دون استخدام حقيقي. وقد يقلل هذا من المخاطر خلال مدة العمل بالكامل بصورة واضحة. احرص على مراعاة تدابير السلامة الإضافية لحماية المستخدم من تأثير الصوت و/أو الاهتزازات مثل: صيانة الأداة الكهربائية وأدوات العمل والحفاظ على الأيدي في حالة دافئة وتنظيم مراحل العمل.

قيم الضجيج المنبعث

| الجهاز SFC 22-A | الجهاز SFC 14-A | |
|-----------------|-----------------|--|
| 69 ديسيبل (A) | 69 ديسيبل (A) | مستوى ضغط الصوت المنبعث (L_{pA}) |
| 3 ديسيبل (A) | 3 ديسيبل (A) | نسبة التفاوت لمستوى ضغط الصوت (K_{pA}) |
| 80 ديسيبل (A) | 80 ديسيبل (A) | مستوى شدة الصوت |
| 3 ديسيبل (A) | 3 ديسيبل (A) | نسبة التفاوت لمستوى شدة الصوت (K_{WA}) |



| الجهاز SFC 22-A | الجهاز SFC 14-A | |
|-----------------------------|-----------------------------|--|
| > 2 م/ثانية ² | > 2 م/ثانية ² | قيمة الاهتزاز المنبعث لربط البراغي (a _n) |
| 1.5 م/ثانية ² | 1.5 م/ثانية ² | نسبة التفاوت لربط البراغي (K) |
| 2.67 م/ثانية ² | 2.67 م/ثانية ² | الثقب في المعدن (a _{n,m}) |
| 1.5 م/ثانية ² | 1.5 م/ثانية ² | نسبة التفاوت للثقب في المعدن (K) |

5 التحضير للعمل

⚠️ احترس:

خطر الإصابة من خلال التشغيل غير المقصود!

- تأكد قبل إدخال البطاريات أن الجهاز المختص مطفأ.
- اخلع البطارية قبل إجراء عمليات ضبط الجهاز أو تغيير أجزاء الملحقات التكميلية.

تراجعى إرشادات الأمان والإرشادات التحذيرية الواردة في هذا المستند وعلى الجهاز.

1.5 شحن البطارية

1. قبل الشحن، قم بقراءة دليل استعمال جهاز الشحن.
2. احرص على أن تكون أطراف تلامس البطارية وجهاز الشحن نظيفة وجافة.
3. قم بشحن البطارية باستخدام شاحن مصرع به.

2.5 تركيب البطارية

⚠️ احترس:

خطر الإصابة من خلال قفلة كهربائية أو سقوط البطارية!

- تأكد قبل تركيب البطاريات في الجهاز من عدم وجود أجسام غريبة بين أطراف توصيل البطارية والجهاز.
- تأكد من تثبيت البطارية بشكل صحيح دائماً.

1. اضمن البطارية لآخرها تماماً قبل التشغيل لأول مرة.
2. قم بتركيب البطارية في حامل الجهاز إلى أن تثبت بصوت مسموع.
3. تفحص البطارية من حيث ثباتها في موضعها بشكل جيد.

3.5 خلع البطارية

1. اضغط على أزرار تحرير البطارية.
2. اخلع البطارية من الجهاز.

4.5 تركيب خطاف الحزام (تجيز اختياري) 2

⚠️ تحذير

- خطر الإصابة. الجهاز الذي يتعرض للسقوط قد يعرضك أنت والآخرين للخطر.
- تأكد قبل بدء العمل أن خطاف الحزام مثبت جيداً.

عن طريق خطاف الحزام يمكنك تثبيت الجهاز في الحزام بحيث يكون ملتصقاً بالجسم. يمكن تركيب خطاف الحزام للارتداء على الجانب الأيمن والأيسر.

- قم بتركيب خطاف الحزام.

5.5 تركيب أداة الشغل

1. اجعل مفتاح تحويل الدوران جهة اليمين/اليسار في الوضع الأوسط أو افصل البطارية من الجهاز.
2. تأكد من نظافة طرف إدخال أداة الشغل. إذا لزم الأمر قم بتنظيف طرف الإدخال.
3. افتح ملقمة الشد السريع للثقب.



4. أدخل أداة الشغل في ملقمة ريش الثقب سريعة الربط وأحكم ربط ملقمة ريش الثقب سريعة الربط إلى أن تسمع صوت تكتكة ميكانيكية عدة مرات.
5. تأكد من الثبات الجيد لأداة الشغل.


6 الاستعمال

تراجع إرشادات الأمان والإرشادات التحذيرية الواردة في هذا المستند وعلى الجهاز.

1.6 اختيار السرعة 3

اختر السرعة.

2.6 ضبط الدوران جهة اليمين/اليسار 4

 يوجد قفل يمنع التحويل عندما يكون الموتور دائرا. في الوضع الأوسط يكون مفتاح التحكم مقفلا (مانع التشغيل).

اضبط مفتاح التحويل يمينا/يسارا في اتجاه الدوران المرغوب.

3.6 التشغيل

اضغط على مفتاح التحكم.

طبعا لعمق فجوة مفتاح التحكم يمكن ضبط عدد اللفات بسلاسة حتى الوصول إلى أقصى عدد لفات.



4.6 ربط وحل البراغي

1. اضبط عزم الدوران المطلوب من خلال حلقة ضبط عزم الدوران والوظيفة.
2. اضبط اتجاه الدوران المرغوب باستخدام مفتاح تحويل الدوران يمينا/يسارا.

5.6 الثقب

1. اضبط حلقة ضبط عزم الدوران والوظيفة على الرمز 1.
2. اضبط مفتاح التحويل يمينا/يسارا على الدوران جهة اليمين.

6.6 الإيقاف

اترك مفتاح التحكم.

7.6 فك أداة الشغل

1. اجعل مفتاح تحويل الدوران جهة اليمين/اليسار في الوضع الأوسط أو أفضل البطارية من الجهاز.
2. افتح ملقمة الشد السريع للثقب.
3. أخرج أداة الشغل من ملقمة ريش الثقب سريعة الربط.

7 العناية والصيانة

تحذير

خطر الإصابة عند تكون البطارية مركبة !

احرص على خلع البطارية دائما قبل جميع أعمال الإصلاح والعناية!

العناية بالجهاز

- قم بإزالة الاتساخ الملتصق برص.
- قم بتنظيف فتحات التهوية برص باستخدام فرشاة جافة.
- نظف جسم الجهاز باستخدام قطعة قماش مبللة بعض الشيء. لا تستخدم مواد عناية تحتوي على السيليكون لما قد تتسبب فيه من الإضرار بالأجزاء البلاستيكية.



العناية بطاريات أيونات الليثيوم

- حافظ على البطارية نظيفة وخالية من الزيت والشحم.
- نظف جسم الجهاز باستخدام قطعة قماش مبللة بعض الشيء. لا تستخدم مواد عناية تحتوي على السيليكون لما قد تتسبب فيه من الإضرار بالأجزاء البلاستيكية.
- تجنب تسرب الرطوبة إليها.

الصيانة

- افحص جميع الأجزاء المرئية من حيث وجود أضرار وافحص عناصر الاستعمال من حيث كفاءتها الوظيفية.
- في حالة وجود أضرار و/أو اختلالات وظيفية لا تقم بتشغيل المنتج. احرص على الفور على إصلاحه لدى مركز خدمة Hilti.
- بعد أعمال العناية والإصلاح قم بتركيب جميع تجهيزات الحماية وافحصها من حيث الأداء الوظيفي.



للتشغيل الآمن اقتصر على استخدام قطع الغيار الأصلية وخامات الشغل. تجد قطع الغيار وخامات الشغل والملحقات المصراع بها من قبلنا للمنتج الخاص بك في متجر **Hilti Store** أو على موقع الإنترنت: www.hilti.group

8 نقل وتخزين الأجهزة العاملة بالبطاريات

النقل

⚠ احترس:

التشغيل غير مقصود عند النقل !

- ◀ قم بنقل المنتج دائما بدون البطاريات!
- ◀ اخلع البطاريات.
- ◀ تجنب نقل البطاريات في كميات سائبة.
- ◀ بعد النقل لمسافة طويلة أو التخزين افحص الجهاز والبطاريات قبل الاستخدام من حيث وجود أضرار.

التخزين

⚠ احترس:

أضرار غير مقصودة بسبب البطاريات التالفة أو التي بها تسريب.!

- ◀ قم بتخزين المنتج دائما بدون البطاريات!
- ◀ يجب تخزين الجهاز والبطاريات في مكان جاف وبارد قدر الإمكان.
- ◀ تجنب تخزين البطاريات تحت أشعة الشمس أو على أجهزة التدفئة أو خلف النوافذ الزجاجية.
- ◀ احرص على تخزين الجهاز والبطاريات في مكان يصعب على الأطفال وغير المؤهلين لاستخدامه الوصول إليه.
- ◀ بعد النقل لمسافة طويلة أو التخزين افحص الجهاز والبطاريات قبل الاستخدام من حيث وجود أضرار.

9 المساعدة في حالات الاختلالات

1.9 المساعدة في حالات الاختلالات

عند حدوث اختلالات غير مذكورة في الجدول أو يتعذر عليك معالجتها بنفسك، فيرجى التوجه إلى مركز خدمة Hilti.

| الخلل | السبب المحتمل | الحل |
|---------------------------------------|--|--|
| الجهاز لا يعمل. | لم يتم إدخال البطارية حتى النهاية. | ◀ قم بتثبيت البطارية حتى سماع صوت طقطقة مزدوجة. |
| | البطارية فارغة الشحنة. | ◀ قم بتغيير البطارية واشحن البطارية الفارغة. |
| | خطأ كهربائي. | ◀ أخرج البطارية من الجهاز واتصل بخدمة Hilti. |
| الجهاز لا يعمل، وتومض لمبة LED واحدة. | البطارية فارغة الشحنة. | ◀ قم بتغيير البطارية واشحن البطارية الفارغة. |
| | البطارية ساخنة للغاية أو باردة للغاية. | ◀ اجعل البطارية تصل إلى درجة حرارة العمل الموصى بها. |



| الخلل | السبب المحتمل | الحل |
|--|---|--|
| لا يمكن الضغط على مفتاح التشغيل/الإيقاف أو المفتاح مقفل. | مفتاح تحويل الدوران يمينا/يسارا في الوضع الأوسط. | اضغط على مفتاح تحويل الدوران يمينا/يسارا إلى اليسار أو اليمين. |
| لمبة LED 1 تومض | البطارية فارغة الشحنة. | قم بتغيير البطارية واشحن البطارية الفارغة. |
| | هناك تحميل زائد على الجهاز (تم تجاوز حد الاستخدام). | يرجى مراعاة بيانات القدرة الخاصة بالمنتج قبل إجراء الأعمال. انظر المواصفات الفنية. |
| شحنة البطارية تفرغ بشكل أسرع من المعتاد. | درجة حرارة محيطية شديدة الانخفاض. | اترك البطارية تسخن ببطء حتى درجة حرارة الغرفة. |
| البطارية لا تثبت بصوت طقطقة مزدوجة مسموع. | أطراف تثبيت البطارية متسخة. | قم بتنظيف موضع التثبيت ثم ضع البطارية في مكانها. إذا استمر وجود المشكلة، توجه إلى مركز خدمة Hilti. |

10 التكبين

أجهزة Hilti مصنوعة بنسبة كبيرة من مواد قابلة لإعادة التدوير. يشترط لإعادة التدوير أن يتم فصل الخامات بشكل سليم فينا. في العديد من الدول تقوم شركة Hilti باستغلال الأجهزة القديمة لإعادة تدويرها. وللمعلومات حول ذلك اتصل بخدمة عملاء Hilti أو الموزع القريب منك.

التخلص من البطاريات

قد يُشكل التخلص من البطاريات بطريقة غير مطابقة للتعليمات خطراً على الصحة، وذلك من خلال تسرب الغازات أو السوائل.

- ◀ لا تقم بإرسال أو توريد بطاريات تالفة!
- ◀ قم بتغطية التوصيلات باستخدام مادة غير موصلة للكهرباء وذلك لتجنب حدوث قفلات كهربائية.
- ◀ تخلص من البطاريات بحيث لا تصل إلى متناول الأطفال.
- ◀ تخلص من البطارية لدى متجر Hilti Store أو توجه إلى مركز التخلص من النفايات المختص.

◀ لا تلق الأدوات الكهربائية، الأجهزة الإلكترونية والبطاريات ضمن القمامة المنزلية!



11 مواصفة RoHS الخاصة بالصين (مواصفة الحد من استخدام المواد الخطرة)

تجد جدولاً بالمواد الخطرة في الروابط التالية: (SFC 14-A) (qr.hilti.com/r4793) و (SFC 22-A) (qr.hilti.com/r4833).
تجد رابط خاص بجدول المواد التي تخص المواصفة RoHS في نهاية هذا المستند على هيئة كود QR.

12 ضمان الجبة الصانعة

◀ في حالة وجود أية استفسارات بخصوص شروط الضمان، يرجى التوجه إلى وكيل Hilti المحلي الذي تتعامل معه.



オリジナル取扱説明書

1 文書について

1.1 本書について

- ご使用前に本書をすべてお読みください。このことは、安全な作業と問題のない取扱いのための前提条件となります。
- 本書および製品に記載されている安全上の注意と警告表示に注意してください。
- 取扱説明書は常に製品とともに保管し、他の人が使用する場合には、製品と取扱説明書を一緒にお渡しください。

1.2 記号の説明

1.2.1 警告表示

警告表示は製品の取扱いにおける危険について警告するものです。以下の注意喚起語が使用されています：

危険

危険！

- ▶ この表記は、重傷あるいは死亡事故につながる危険性がある場合に注意を促すために使われます。

警告

警告！

- ▶ この表記は、重傷あるいは死亡事故につながる可能性がある場合に注意を促すために使われます。

注意

注意！

- ▶ この表記は、軽傷あるいは物財の損傷が発生する可能性がある場合に使われます。

1.2.2 本書の記号

本書では、以下の記号が使用されています：

| | |
|--|------------------------------|
| | 使用前に取扱説明書をお読みください |
| | 本製品を効率良く取り扱うための注意事項や役に立つ情報 |
| | リサイクル可能な部品の取扱い |
| | 工具およびバッテリーを一般ゴミとして廃棄してはなりません |

1.2.3 図中の記号

図中では以下の記号が使用されています：

| | |
|--|--|
| | この数字は本取扱説明書冒頭にある該当図を示しています |
| | 付番は図中の作業手順の順序に対応していて、本文の作業手順とは一致しない場合があります |
| | 概要図には項目番号が付されていて、製品概要セクションの凡例の番号に対応しています |
| | この記号は、製品の取扱いの際に特に注意が必要なことを示しています。 |

1.3 製品により異なる記号

1.3.1 製品に表示されている記号

製品には以下の記号が使用されています：

| | |
|--|------|
| | 回転のみ |
|--|------|



| | |
|--------|--|
| /min | 毎分回転数 |
| n_0 | 無負荷回転数 |
| --- | 直流 |
| Li-Ion | Li-Ionen バッテリー |
| | 使用されているHilti Li-Ion バッテリーのモデルシリーズ。正しい使用の章の記載に注意してください。 |
| | 本製品は、iOS および Android プラットフォームと互換性のある無線データ転送をサポートしていません。 |
| | バッテリーは決して打撃工具として使用しないでください。 |
| | バッテリーは落下させないでください。ぶつけたり、あるいはその他の理由で損傷しているバッテリーは使用しないでください。 |

1.4 製品情報

HILTI 製品はプロ仕様で製作されており、その使用、保守、修理を行うのは、認定を受けトレーニングされた人のみに限ります。これらの人は、遭遇し得る危険に関する情報を入手していなければなりません。製品およびアクセサリの使用法を知らない者による誤使用、あるいは規定外の使用は危険です。機種名および製造番号は銘板に表示されています。

▶ 製造番号を以下の表に書き写しておいてください。ヒルティ代理店やサービスセンターへお問い合わせの際には、製品データが必要になります。

製品データ → 頁 141

製品データ

| | |
|--------------|----------------------|
| 充電式ドリルドライバー： | SFC 22-A SFC 14-A |
| 製品世代： | 01 |
| 製造番号： | |

1.5 適合宣言

当社は、単独の責任において本書で説明している製品が有効な基準と標準規格に適合していることを宣言します。適合宣言書の複写は本書の末尾にあります。

技術資料は本書の後続の頁に記載されています：

Hilti Entwicklungsgesellschaft mbH | Zulassung Geräte | Hiltistraße 6 | 86916 Kaufering, DE

2 安全

2.1 電動工具の一般安全注意事項

⚠ 警告事項！ 安全上の注意および指示事項をすべてお読みください。これらを守らないと、感電、火災および / または重傷事故の危険があります。

安全上の注意および指示事項が書かれた説明書はすべて大切に保管してください。

作業環境に関する安全

- ▶ 作業場はきれいに保ち、十分に明るくしてください。ちらかった暗い場所での作業は事故の原因となります。
- ▶ 爆発の危険性のある環境（可燃性液体、ガスおよび粉じんのある場所）では電動工具を使用しないでください。電動工具から火花が飛散し、粉じんや揮発性ガスに引火する恐れがあります。
- ▶ 電動工具の使用時、子供や無関係者を作業場へ近づけないでください。作業中に気がそらされると、本体のコントロールを失ってしまう恐れがあります。

電気に関する安全注意事項

- ▶ パイプ、ラジエーター、電子レンジ、冷蔵庫などのアースされた面に体の一部が触れないようにしてください。体が触れると感電の危険が大きくなります。
- ▶ 電動工具を雨や湿気から保護してください。電動工具に水が浸入すると、感電の危険が大きくなります。



2073071

日本語 141

作業者に関する安全

- ▶ 電動工具を使用の際には、油断せずに十分注意し、常識をもった作業をおこなってください。疲れている場合、薬物、医薬品服用およびアルコール飲用による影響下にある場合には電動工具を使用しないでください。電動工具使用中の一瞬の不注意が重傷の原因となる場合があります。
- ▶ 個人用保護具および保護メガネを常に着用してください。負傷の危険を低減するために、電動工具の使用状況に応じた粉じんマスク、耐滑性の安全靴、ヘルメット、耳栓などの個人用保護具を着用してください。
- ▶ 電動工具の不意な始動は避けてください。電動工具をバッテリーに接続する前や持ち上げたり運んだりする前に、電動工具がオフになっていることを確認してください。電動工具のスイッチに指を掛けたまま運んだり、スイッチオンになっている本体を電源に接続すると、事故の原因となる恐れがあります。
- ▶ 電動工具のスイッチを入れる前に、必ず調節キーやレンチを取り外してください。調節キーやレンチが本体の回転部に装着されたままでは、けがの原因となります。
- ▶ 作業中は不安定な姿勢をとらないでください。足元を安定させ、常にバランスを保つようにしてください。これにより、万一電動工具が異常状況に陥った場合にも、適切な対応が可能となります。
- ▶ 作業に適した作業着を着用してください。だぶだぶの衣服や装身具を着用しないでください。髪、衣服、手袋を本体の可動部に近づけないでください。だぶだぶの衣服、装身具、長い髪が可動部に巻き込まれる恐れがあります。
- ▶ 吸じんシステムの接続が可能な場合には、これらのシステムが適切に接続、使用されていることを確認してください。吸じんシステムを利用することにより、粉じん公害を防げます。

電動工具の使用および取扱い

- ▶ 無理のある使用を避けてください。作業用途に適した電動工具を使用してください。適切な電動工具の使用により、効率よく、スムーズかつ安全な作業が行えます。
- ▶ スイッチが故障している場合には、電動工具を使用しないでください。スイッチで始動および停止操作のできない電動工具は危険ですので、修理が必要です。
- ▶ 本体の設定やアクセサリの交換を行う前や本体を保管する前には、バッテリーを取り外してください。この安全処置により、電動工具の不意の始動を防止することができます。
- ▶ 電動工具をご使用にならない場合には、子供の手の届かない場所に保管してください。本体に関する知識のない方、本説明書をお読みなない方による本体のご使用は避けてください。未経験者による電動工具の使用は危険です。
- ▶ 電動工具は慎重に手入れしてください。可動部分が引っ掛かりなく正常に作動しているか、電動工具の運転に影響を及ぼす各部分が破損・損傷していないかを確認してください。電動工具を再度ご使用になる前に、損傷部分の修理を依頼してください。発生事故の多くは保守管理の不十分な電動工具の使用が原因となっています。
- ▶ 先端工具は鋭利で汚れのない状態を保ってください。お手入れのゆきとどいた先端工具を使用すると、作業が簡単かつ、スムーズになります。
- ▶ 電動工具、アクセサリ、先端工具などは、それらの説明書に記載されている指示に従って使用してください。その際は、作業環境および用途についてもご注意ください。指定された用途以外に電動工具を使用すると危険な状況をまねく恐れがあります。

バッテリー工具の使用および取扱い

- ▶ バッテリーを充電する場合は、必ずメーカー推奨の充電器を使用してください。特定タイプのバッテリー専用の充電器を他のバッテリーに使用すると、火災の恐れがあります。
- ▶ 電動工具には、必ず指定されたバッテリーを使用してください。指定以外のバッテリーを使用すると、負傷や火災の恐れがあります。
- ▶ 使用されていないバッテリーの近くに、事務用クリップ、硬貨、キー、釘、ネジ、その他の小さな金属物を置かないでください。電気接点の短絡が起こることがあります。バッテリーの電気接点間が短絡すると、火傷や火災が発生する危険があります。
- ▶ バッテリーを正しく使用しないと、液漏れが発生することがあります。その場合、漏れた液には触れないでください。流出したバッテリー液により、皮膚が刺激を受けたり火傷を負う恐れがあります。誤ってバッテリー液に触ってしまった場合は、水で洗い流してください。バッテリー液が眼に入った場合は、水で洗い流して医師の診断を受けてください。

サービス

- ▶ 電動工具の修理は必ず認定サービスセンターにお申し付けください。また、必ず純正部品を使用してください。これにより電動工具の安全性が確実に維持されます。

2.2 穿孔機に関する安全上の注意

- ▶ 本体には一緒に納品された補助ハンドルを使用してください。これ以外のハンドルを使用すると、コントロールを失ってけがをする恐れがあります。



- ▶ 先端工具が隠れた電線に接触する可能性のある作業を行う場合は、必ず本体の絶縁されたグリップを持ってください。通電しているケーブルと接触すると、本体の金属部分にも電圧がかかり、感電の危険があります。

2.3 スクリュードライバーに関するその他の安全上の注意

作業者に関する安全

- ▶ 本製品は、必ず技術的に問題のない状態で使用してください。
- ▶ 本体は決して加工や改造を加えないでください。
- ▶ 本体には一緒に納品された補助グリップを使用してください。これ以外のグリップを使用すると、コントロールを失ってけがをする恐れがあります。
- ▶ 本体は、常に両手でグリップを掴んでしっかりと保持してください。グリップは乾燥した清潔な状態を保ってください。
- ▶ 回転部品に触れないでください - 負傷の危険！
- ▶ 本体の使用中は、適切な保護メガネ、保護ヘルメット、耳栓、保護手袋および防じんマスクを着用してください。
- ▶ 保護手袋は先端工具の交換時にも着用してください。先端工具に触れると、切創事故や火傷の原因となることがあります。
- ▶ アイシールドを着用してください。破片が身体の一部、眼などを傷つけることもあります。
- ▶ 作業開始前に、作業場で発生する粉じんの危険有害度を調査してください。公的に承認された保護等級および地域の粉じんに関する規定を満たした工業用集じん機を使用してください。含鉛塗料、特定の種類の木材、コンクリート / 石材、石英を含む岩石、鉱物および金属などの母材から生じた粉じんは、健康を害する恐れがあります。
- ▶ 作業場の良好な換気に注意し、必要に応じてそれぞれの粉じんに適した防じんマスクを着用してください。作業者や近くにいる人が粉じんに触れたり吸い込んだりすると、アレルギー反応や呼吸器疾患を起こす可能性があります。カシヤブナ材などの特定の粉じんは、特に木材処理用の添加剤（クロム塩酸、木材保護剤）が使用されている場合、発ガン性があるとされています。アスベストが含まれる母材は、必ず専門家が取り扱うようにしてください。
- ▶ 休憩を取って、指を動かして血行を良くするように心がけてください。長時間作業の際には、振動により指、手あるいは手首の関節の血管あるいは神経系に障害が発生する可能性があります。

電気に関する安全注意事項

- ▶ 作業を開始する前に、作業領域に埋設された電線、ガス管や水道管がないかを調査してください。誤って電線を損傷すると、本体外側の金属部分により感電事故が発生する可能性があります。

電動工具の慎重な取扱いおよび使用

- ▶ 先端工具がブロックしたら直ちに電動工具をオフにします。本体は側方へとずらすことができます。
- ▶ 電動工具は停止するまで置かないでください。

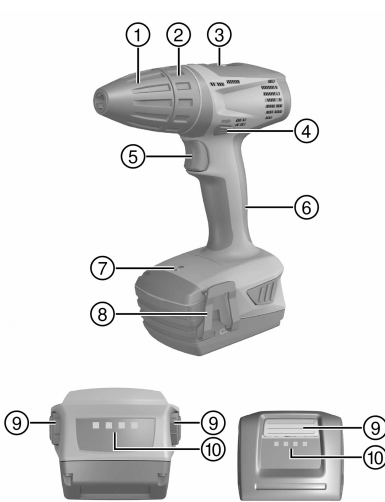
2.4 バッテリーの慎重な取扱いおよび使用

- ▶ Li-Ion バッテリーの搬送、保管、作動については特別規定を守ってください。
- ▶ バッテリーは高温、直射日光および火気を避けて保管してください。
- ▶ バッテリーを分解したり、挟んだり、80 °C 以上に加熱したり、落やしたりしないでください。
- ▶ 衝撃を受けたことのあるバッテリー、1 m を超える高さから落下したことのあるバッテリー、あるいはその他の損傷を被っているバッテリーを使用あるいは充電しないでください。この場合には、必ず最寄りの Hilti サービスセンターにご連絡ください。
- ▶ バッテリーが掴むことのできないほどに熱くなっている場合は、故障している可能性があります。製品を監視可能な火気のない場所に可燃性の資材から十分に距離をとって置き、冷ましてください。この場合には、必ず最寄りの Hilti サービスセンターにご連絡ください。



3 製品の説明

3.1 概要



- ① クイックリリースチャック
- ② トルクおよび回転設定リング
- ③ 2速スイッチ
- ④ 正回転 / 逆回転切り替えスイッチ (スイッチオンロック付き)
- ⑤ 無段変速スイッチ (回転数電子制御式)
- ⑥ グリップ
- ⑦ LED
- ⑧ ベルトフック (オプション)
- ⑨ 追加機能 (充電状態インジケータ作動) 付きリリースボタン
- ⑩ 充電状態および故障インジケータ (Li-Ion バッテリー)

3.2 正しい使用

本書で説明している製品は、手持ち式の充電式ドリルドライバーです。この製品は、ねじの取付け / 取外し、および鋼材、木材およびプラスチックへの穿孔のためのものです。

- ▶ 本製品には、かならずHiltiのB14およびB22シリーズのLi-Ionバッテリーを使用してください。
- ▶ これらのバッテリーには、必ずHiltiのC4/36シリーズの充電器を使用してください。

3.3 充電状態インジケータ

Li-Ionバッテリーの充電状態は、リリースボタンを軽く押すと表示されます。

| 状態 | 意味 |
|------------|------------------|
| 4個のLEDが点灯。 | 充電状態: 75%...100% |
| 3個のLEDが点灯。 | 充電状態: 50%...75% |
| 2個のLEDが点灯。 | 充電状態: 25%...50% |
| 1個のLEDが点灯。 | 充電状態: 10%...25% |
| 1個のLEDが点滅。 | 充電状態: < 10% |



コントロールスイッチの操作中は充電状態の読み取りは行えません。

3.4 本体標準セット構成

ドリルドライバー、取扱説明書。

- その他の本製品用に許可されたシステム製品については、弊社営業担当またはHiltiセンターにお問い合わせいただくか、あるいはwww.hilti.groupでご確認ください。



4 製品仕様

4.1 製品仕様

| | SFC 14-A | SFC 22-A |
|-------------------------|---------------------|---------------------|
| 定格電圧 | 14.4 V | 21.6 V |
| 重量 (EPTA プロシージャ 01 に準拠) | 1.5 kg | 2.4 kg |
| 1 速の回転数 | 0/min ... 500/min | 0/min ... 600/min |
| 2 速の回転数 | 0/min ... 1,700/min | 0/min ... 1,800/min |
| トルク (最大) | 24 Nm | 28 Nm |
| トルク設定 (15 ステップ) | 1.5 Nm ... 10 Nm | 1.5 Nm ... 10 Nm |

4.2 バッテリー

| | |
|---------------|------------------|
| バッテリー作動電圧 | 14.4 V |
| 作動時の周囲温度 | -17 °C ... 60 °C |
| 保管温度 | -20 °C ... 40 °C |
| 充電開始時のバッテリー温度 | -10 °C ... 45 °C |

4.3 バッテリー

| | |
|---------------|------------------|
| バッテリー作動電圧 | 21.6 V |
| 作動時の周囲温度 | -17 °C ... 60 °C |
| 保管温度 | -20 °C ... 40 °C |
| 充電開始時のバッテリー温度 | -10 °C ... 45 °C |

4.4 騒音および振動値について (EN 60745 準拠)

本説明書に記載されているサウンドプレッシャー値および振動値は、規格に準拠した測定方法に基づいて測定したものです。電動工具を比較するのにご使用いただけます。曝露値の暫定的な予測にも適しています。記載されているデータは、電動工具の主要な使用方法に対する値です。電動工具を他の用途で使用したり、異なる先端工具を取り付けて使用したり、手入れや保守が十分でないまま使用した場合には、データが異なることがあります。このような相違により、作業時間全体で曝露値が著しく高くなる可能性があります。曝露値を正確に予測するためには、本体のスイッチをオフにしている時間や、本体が作動していても実際には使用していない時間も考慮しなければなりません。このような相違により、作業時間全体で曝露値が著しく低くなる可能性があります。作業者を騒音および / または振動による影響から保護するために、他にも安全対策を立ててください (例：電動工具およびの先端工具の手入れや保守、手を冷やさないようにする、作業手順の計画を立てる)。

騒音排出値

| | SFC 14-A | SFC 22-A |
|---------------------------------|----------|----------|
| 排出サウンドプレッシャーレベル (L_{pA}) | 69 dB(A) | 69 dB(A) |
| サウンドプレッシャーレベルの不確実性 (K_{pA}) | 3 dB(A) | 3 dB(A) |
| サウンドパワーレベル | 80 dB(A) | 80 dB(A) |
| サウンドパワーレベルの不確実性 (K_{WA}) | 3 dB(A) | 3 dB(A) |

合計振動値

| | SFC 14-A | SFC 22-A |
|-----------------------|-----------------------|-----------------------|
| ねじ締め排出振動値 (a_h) | < 2 m/s ² | < 2 m/s ² |
| ねじ締めの不確実性 (K) | 1.5 m/s ² | 1.5 m/s ² |
| 金属への穿孔 ($a_{h, v}$) | 2.67 m/s ² | 2.67 m/s ² |
| 金属への穿孔の不確実性 (K) | 1.5 m/s ² | 1.5 m/s ² |



5 作業準備

注意

負傷の危険 意図しない始動！

- ▶ バッテリーを装着する前に、バッテリーを装着する製品のスイッチがオフになっていることを確認してください。
- ▶ 本体の設定、またはアクセサリーの交換の前にバッテリーを取り外してください。

本書および製品に記載されている安全上の注意と警告表示に注意してください。

5.1 バッテリーを充電する

1. 充電の前に充電器の取扱説明書をお読みください。
2. バッテリーと充電器の電気接点は汚れがなく、乾燥していることを確認してください。
3. バッテリーは許可された充電器で充電してください。

5.2 バッテリーを装着する

注意

負傷の危険 短絡あるいはバッテリーの落下！

- ▶ バッテリーを装着する前に、バッテリーの電気接点と製品の電気接点に異物が無いことを確認してください。
 - ▶ バッテリーが正しくロックされていることを常に確認してください。
1. はじめてお使いになる前にはバッテリーをフル充電してください。
 2. ロックの音が聞こえるまでバッテリーを本体ホルダーに装着します。
 3. バッテリーがしっかりと装着されていることを確認してください。

5.3 バッテリーを取り外す

1. バッテリーのリリースボタンを押します。
2. 本体からバッテリーを抜き取ります。

5.4 ベルトフックを取り付ける (オプション)

警告

負傷の危険。本体が落下してご自身あるいは他の方が怪我をする恐れがあります。

- ▶ 作業を開始する前に、ベルトフックが確実に固定されていることを確認してください。

ベルトフックを使用すると、本体を作業ベルトに差し込んで保持することができます。ベルトフックは、体の右側で使用するようにも左側で使用するようにも取り付けすることができます。

- ▶ ベルトフックを取り付けます。

5.5 先端工具を装着する

1. 正回転 / 逆回転切り替えスイッチを中立位置にするか、またはバッテリーを本体から取り外します。
2. 先端工具のコネクションエンドが汚れていないか点検します。必要であれば、コネクションエンドの汚れを取り除きます。
3. クイックリリースチャックを開きます。
4. 先端工具をクイックリリースチャックへ装着し、何度かカチっとかみ合う音が聞こえるまでクイックリリースチャックをしっかりと回します。
5. 先端工具がしっかりと固定されているか確認します。

6 ご使用方法

本書および製品に記載されている安全上の注意と警告表示に注意してください。



6.1 速度を選択する 3

- ▶ 速度を選択します。

6.2 正逆回転を設定する 4



モーター回転中は、ロック機能によりスイッチの切り替えができなくなります。
中立の位置では、コントロールスイッチはブロックされます（スイッチオンロック）。

- ▶ 正回転 / 逆回転切り替えスイッチを希望の回転方向に設定します。

6.3 スイッチオン

- ▶ コントロールスイッチを押します。



コントロールスイッチを押す深さにより、回転数を最大回転数まで無段階調整することができ
ます。

6.4 ねじ締め

1. トルクおよび機能の設定リングで必要なトルクを設定します。
2. 正回転 / 逆回転切り替えスイッチで希望の回転方向に設定します。

6.5 穿孔 (回転のみ)

1. トルクおよび機能の設定リングを の印に合わせます。
2. 正回転 / 逆回転切り替えスイッチを正回転に設定します。

6.6 スイッチオフ

- ▶ コントロールスイッチから指を放します。

6.7 先端工具を取り外す

1. 正回転 / 逆回転切り替えスイッチを中立位置にするか、またはバッテリーを本体から取り外します。
2. クイックリリースチャックを開きます。
3. 先端工具をクイックリリースチャックから引き抜いてください。

7 手入れと保守



警告

バッテリーを装着した状態における負傷の危険！

- ▶ 手入れや保守作業の前に必ずバッテリーを取り外してください！

本体の手入れ

- 強固に付着した汚れは慎重に除去してください。
- 通気溝を乾いたブラシで入念に清掃してください。
- ハウジングは必ず軽く湿らせた布で清掃してください。シリコンを含んだ清掃用具はプラスチック部品をいためる可能性があるので使用しないでください。

Li-Ion バッテリーの手入れ

- バッテリーは清潔に保ち、オイルやグリスで汚さないようにしてください。
- ハウジングは必ず軽く湿らせた布で清掃してください。シリコンを含んだ清掃用具はプラスチック部品をいためる可能性があるため使用しないでください。
- 湿気が入り込まないようにしてください。

保守

- 目視確認可能なすべての部品について損傷の有無を、操作エレメントについては問題なく機能することを定期的に点検してください。
- 損傷および / または機能に問題のある場合は、本製品を使用しないでください。直ちにHilti サービスセンターに修理を依頼してください。
- 手入れおよび保守作業の後は、すべての安全機構を取り付けて機能を点検してください。



2073071

日本語 147

i 安全な作動のために、必ず純正のスペアパーツと消耗品を使用してください。本製品向けに弊社が承認したスペアパーツ、消耗品およびアクセサリは、弊社営業担当またはHilti Storeにお問い合わせいただくか、あるいはwww.hilti.groupでご確認ください。

8 バッテリー装置の搬送および保管

搬送

注意

搬送時の予期しない始動！

- ▶ お使いの製品は、必ずバッテリーを装着していない状態で搬送してください！
- ▶ バッテリーを取り外します。
- ▶ バッテリーは決して梱包しない状態で搬送しないでください。
- ▶ 本体とバッテリーを長距離にわたって搬送した後は、使用前に損傷がないかチェックしてください。

保管上の注意事項

注意

故障したあるいは液漏れしたバッテリーによる予期しない損傷！

- ▶ お使いの製品は、必ずバッテリーを装着していない状態で保管してください！
- ▶ 本体とバッテリーは、できるだけ涼しくて乾燥した場所に保管してください。
- ▶ バッテリーを太陽の直射下、ラジエーターの上、窓際等で保管しないでください。
- ▶ 本体とバッテリーは、子供や権限のない人が手を触れることのないようにして保管してください。
- ▶ 本体とバッテリーを長期間にわたって保管した後は、使用前に損傷がないかチェックしてください。

9 故障時のヒント

9.1 故障時のヒント

この表に記載されていない、あるいはご自身で解消することのできない故障が発生した場合には、弊社営業担当またはHilti サービスセンターにご連絡ください。

| 故障 | 考えられる原因 | 解決策 |
|-------------------------------|-----------------------------|---|
| 本体が作動しない。 | バッテリーが完全に装着されていない。 | ▶ バッテリーを「カチッカチツ」と音がするまでロックする。 |
| | バッテリーが放電している。 | ▶ バッテリーを交換し、空のバッテリーを充電する。 |
| | 電氣的故障。 | ▶ 本体からバッテリーを取り外し、Hilti サービスセンターに連絡する。 |
| 本体が作動せず、LED が 1 個点滅する。 | バッテリーが放電している。 | ▶ バッテリーを交換し、空のバッテリーを充電する。 |
| | バッテリーの温度が高すぎる、または低すぎる。 | ▶ バッテリーを推奨運転温度まで冷ます / 暖める。 |
| ON/OFF スイッチが押せない、あるいは動かない。 | 正回転 / 逆回転切り替えスイッチが中立位置。 | ▶ 正回転 / 逆回転切り替えスイッチを右または左へ押す。 |
| LED 1 点滅 | バッテリーが放電している。 | ▶ バッテリーを交換し、空のバッテリーを充電する。 |
| | 本体に負荷がかかり過ぎている（適用基準を超えている）。 | ▶ 作業前に製品の仕様について確認する。製品仕様を参照。 |
| バッテリーの消耗が通常よりも早い。 | 周囲温度が低すぎる。 | ▶ バッテリーをゆっくり室温まで暖める。 |
| バッテリーが「カチッカチツ」と音がするまでロックされない。 | バッテリーのロックノッチが汚れている。 | ▶ ロックノッチを清掃してバッテリーをロックする。問題が再発する場合はHilti サービスセンターに連絡する。 |



10 廃棄

Hilti 製品の大部分の部品はリサイクル可能です。リサイクル前にそれぞれの部品は分別して回収されなければなりません。多くの国で Hilti は、古い電動工具をリサイクルのために回収しています。詳細については弊社営業担当または Hilti 代理店・販売店にお尋ねください。

バッテリーを廃棄する

バッテリーを誤った方法で廃棄すると、漏出するガスあるいはバッテリー液により健康を損なう危険があります。

- ▶ 損傷したバッテリーを送付しないでください!
- ▶ 短絡を防止するために接続部を非導電性のもので覆ってください。
- ▶ バッテリーは子供が手を触れることのないように廃棄してください。
- ▶ バッテリーの廃棄は、最寄りの Hilti Store あるいは適切な廃棄物処理業者に依頼してください。



- ▶ 電動工具、電子機器およびバッテリーを一般ゴミとして廃棄してはなりません!

11 中国版 RoHS (有害物質使用制限に関するガイドライン)

下記のリンクより、有害物質を記載した表を確認できます: qr.hilti.com/r4793 (SFC 14-A) および qr.hilti.com/r4833 (SFC 22-A)。

本書の最終ページに RoHS 表にリンクした QR コードがあります。

12 メーカー保証

- ▶ 保証条件に関するご質問は、最寄りの Hilti 代理店・販売店までお問い合わせください。

오리지널 사용 설명서

1 문서 관련 기재사항

1.1 본 문서에 대해

- 처음 사용하기 전에 본 문서 전체를 읽으십시오. 안전하게 작업하고 문제 없이 취급하기 위한 전제가 됩니다.
- 본 문서 및 제품에 나와 있는 안전 지침 및 경고 지침에 유의하십시오.
- 항상 제품에 있는 사용 설명서를 잘 보관하고 제품은 반드시 본 지침과 함께 다른 사람에게 전달하십시오.

1.2 기호 설명

1.2.1 경고사항

본 제품을 다루면서 발생할 수 있는 위험에 대한 경고사항. 다음과 같은 시그널 워드가 사용됩니다.



위험

위험!

- ▶ 이 기호는 직접적인 위험을 표시합니다. 만약 지키지 않으면 심각한 부상을 당하거나 사망할 수도 있습니다.



경고

경고!

- ▶ 이 기호는 잠재적인 위험을 표시합니다. 만약 지키지 않으면 심각한 부상을 당하거나 사망할 수도 있습니다.



주의

주의!

- ▶ 이 기호는 특별히 중요한 안전상의 주의사항을 표시합니다. 만약 지키지 않으면, 심각한 부상 또는 물적 손실을 입을 수 있습니다.



2073071

한국어 149

1.2.2 문서에 사용된 기호

본 문서에서 사용되는 기호는 다음과 같습니다.

| | |
|--|-------------------------------------|
| | 사용하기 전에 사용설명서를 읽으십시오. |
| | 적용 지침 및 기타 유용한 사용정보 |
| | 재사용이 가능한 자재 취급방법 |
| | 전기 기기 및 배터리를 일반 가정의 쓰레기처럼 폐기해서는 안 됨 |

1.2.3 그림에 사용된 기호

다음과 같은 기호가 그림에 사용됩니다.

| | |
|---|---|
| | 이 숫자는 본 설명서의 첫 부분에 있는 해당 그림을 나타냅니다. |
| 3 | 매겨진 숫자는 작업 단계의 순서를 나타내며, 텍스트에 매겨진 작업 단계와 차이가 있을 수 있습니다. |
| | 항목 번호는 개요 그림에서 사용되며, 제품 개요 단락에 나와 있는 기호 설명 번호를 나타냅니다. |
| | 이 표시는 제품을 다룰 때, 특별히 주의할 사항을 나타냅니다. |

1.3 제품 관련 기호

1.3.1 제품에 사용된 기호

다음과 같은 기호가 제품에 사용됩니다.

| | |
|--------|--|
| | 함마링 컷아웃 |
| /min | 분당 회전수 |
| n_0 | 무부하 회전속도 |
| | 직류 |
| Li-Ion | 리튬이온 배터리 |
| | 사용한 Hilti 리튬이온 배터리 모델 시리즈. 규정에 맞는 사용 단원에 제시된 내용에 유의하십시오. |
| | 본 제품은 무선 데이터 전송을 지원하며, iOS 및 Android 플랫폼과 호환 가능합니다. |
| | 배터리는 절대 타격 공구로 사용해서는 안 됩니다. |
| | 배터리를 떨어뜨리지 마십시오. 타격을 받은 적이 있거나 다른 손상이 있는 배터리는 사용하지 마십시오. |

1.4 제품 정보

제품은 전문가용으로 설계되어 있으며, 해당 교육을 이수한 공인된 작업자를 통해서만 조작, 유지 보수 및 수리 작업을 진행할 수 있습니다. 이 기술자는 발생할 수 있는 위험에 대해 특별 교육을 받은 상태여야 합니다. 교육을 받지 않은 사람이 제품을 부적절하게 취급하거나 규정에 맞지 않게 사용할 경우에는 기기와 그 보조기구에 의해 부상을 당할 위험이 있습니다.

형식 명칭 및 일련 번호는 형식 라벨에 제시되어 있습니다.

- ▶ 일련 번호를 다음의 표에 옮기십시오. 대리점 또는 서비스 센터에 문의할 경우 제품 제원이 필요합니다.
제품 제원 → 페이지 151



제품 제원

| | |
|-------------|----------------------|
| 충전 드릴 드라이버: | SFC 22-A SFC 14-A |
| 세대: | 01 |
| 일련번호: | |

1.5 적합성 선언

페사는 전적으로 책임을 지고 여기에 기술된 제품이 통용되는 기준과 규격에 일치함을 공표합니다. 적합성 증명서 사본은 본 문서 끝 부분에서 확인할 수 있습니다.

기술 문서는 이곳에 기술되어 있습니다.

Hilti Entwicklungsgesellschaft mbH | Zulassung Geräte | Hiltistraße 6 | 86916 Kaufering, DE

2 안전

2.1 전동 공구에 대한 일반적인 안전상의 주의사항

⚠ 경고! 모든 안전상의 주의사항과 지침을 읽으십시오. 안전상의 주의사항과 지침을 준수하지 않을 경우, 화재 위험이 있으며 감전 그리고/또는 중상을 입을 수 있습니다.

앞으로 모든 안전상 주의사항과 지침을 보관하십시오.

작업장 안전수칙

- ▶ 작업장을 항상 깨끗이 하고 조명이 잘 들도록 하십시오. 어수선한 작업환경 또는 어두운 작업장은 사고를 초래할 수 있습니다.
- ▶ 인화성 액체, 가스 또는 먼지가 있어 폭발 위험이 있는 환경에서는 전동 공구를 사용하지 마십시오. 전동 공구는 먼지나 증기를 점화시킬 수 있는 스파크를 일으킵니다.
- ▶ 전동 공구를 사용할 때, 어린이들이나 다른 사람들이 작업장에 접근하지 못하도록 하십시오. 다른 사람의 방해로 인해 기기를 통제하기 어렵습니다.

전기에 관한 안전수칙

- ▶ 파이프, 히터, 전기레인지, 냉장고와 같은 접지 표면에 신체 접촉을 피하십시오.. 신체에 닿을 경우 감전될 위험이 높습니다.
- ▶ 전동 공구가 비에 맞지 않도록 하고 습한 장소에 두지 마십시오. 전동 공구에 물이 들어가면 감전될 위험이 높습니다.

사용자 안전수칙

- ▶ 신중하게 작업하십시오. 작업에 정신을 집중하고 전동공구를 사용할 때 경솔하게 행동하지 마십시오. 피곤하거나 항정신성 약물, 술 또는 약물 복용 시에는 전동공구를 사용하지 마십시오. 전동공구 사용 시 이에 유의하지 않을 경우 심각한 부상을 초래할 수 있습니다.
- ▶ 안전 장비를 갖추고 보안경을 착용하십시오. 전동 공구의 종류와 사용에 따라, 먼지 보호 마스크, 미끄럼 방지용 안전 신발, 안전모 또는 귀마개 등과 같은 안전한 보호장비를 착용하면 부상의 위험을 줄일 수 있습니다.
- ▶ 실수로 기기가 작동하지 않도록 주의하십시오. 전동공구를 배터리에 연결하거나 설치 또는 운반하는 경우, 전동공구의 전원이 꺼져 있는지 확인하십시오. 전동공구 운반 시 스위치에 손가락을 대거나 스위치가 켜진 상태에서 전원을 연결하면 사고를 유발할 수 있습니다.
- ▶ 전동 공구의 스위치를 켜기 전, 조정공구 또는 렌치를 제거하십시오. 기기 회전부에 남아있는 공구나 렌치로 인해 부상을 입을 수 있습니다.
- ▶ 작업 시 비정상적인 자세는 피하십시오. 안전한 작업자세가 되도록 하고, 항상 균형을 유지하십시오. 이렇게 하여 예기치 않은 상황에서도 전동 공구를 잘 제어할 수 있습니다.
- ▶ 적합한 작업복을 착용하십시오. 헐렁한 복장이나 장식품을 착용하지 마십시오. 작동하는 기기 가동 부위에 머리, 옷 그리고 장갑이 가까이 닿지 않도록 주의하십시오. 헐렁한 복장, 장식품 혹은 긴 머리가 가동 부위에 말려 들어갈 수 있습니다.
- ▶ 먼지 제거장치나 수거장치를 설치할 수 있는 기기의 경우, 이 장치들이 연결되어 있는지 그리고 제대로 작동되는지를 확인하십시오. 먼지 포집장치 사용은 먼지로 인한 위험을 줄여줄 수 있습니다.

전동 공구의 취급과 사용

- ▶ 기기에 과부하가 걸리지 않도록 하십시오. 귀하의 작업에 적합한 전동 공구를 사용하십시오. 적합한 전동 공구를 사용하면, 지정된 성능 한도 내에서 더 효율적으로 안전하게 작업할 수 있습니다.
- ▶ 스위치가 고장난 전동 공구는 사용하지 마십시오. 스위치가 작동되지 않는 전동 공구는 위험하므로, 반드시 수리를 해야 합니다.
- ▶ 기기를 설정하거나 부품을 교환하거나 기기를 치우기 전에 배터리를 제거하십시오. 이러한 조치는 실수로 전동공구가 작동하지 않도록 방지합니다.



2073071

한국어 151

- ▶ 사용하지 않는 전동공구는 어린이들의 손이 닿지 않는 곳에 보관하십시오. 기기 사용에 익숙치 않거나 또 는 이 안전수칙을 읽지 않은 사람이 기기를 사용해서는 안됩니다. 비숙련자가 전동공구를 사용하면 위험 합니다.
- ▶ 전동공구를 조심스럽게 관리하십시오. 기기의 가동 부위가 완벽하게 작동하는지, 끼어 있지 않은지, 혹은 부품이 손상되거나 파손되어 있어 전동공구의 기능을 저하시키지 않는지 점검하십시오. 기기 사용 전 손 상된 부품을 수리하도록 하십시오. 제대로 관리되지 않은 전동공구는 많은 사고를 유발합니다.
- ▶ 절단기기는 날카롭고 깨끗하게 관리하십시오. 날카로운 절단면이 있고 잘 관리된 절단기기는 끼이는 경우 가 드물고 조절하기도 쉽습니다.
- ▶ 본 지침에 따라 전동 공구, 액세서리, 공구 비트 등을 사용하십시오. 이 때 작업 조건과 실시하려는 작업 내 용을 고려하십시오. 원래 사용 분야가 아닌 다른 작업에 전동 공구를 사용할 경우, 위험한 상황을 초래할 수 있습니다.

배터리 공구의 취급과 사용

- ▶ 제조회사가 권장한 충전기에만 배터리를 충전시키십시오. 특정한 형식의 배터리를 사용하도록 규정되어 있는 충전기에 다른 배터리를 사용할 경우 화재 발생의 위험이 있습니다.
- ▶ 전동 공구에 적합하게 규정된 배터리만 사용하십시오. 다른 배터리를 사용하면 부상을 입을 수 있고, 화재 가 발생할 수 있습니다.
- ▶ 배터리를 사용하지 않을 경우 클립, 동전, 키, 못, 나사 또는 다른 소형 금속 물질로부터 사용하지 않는 배터 리를 멀리 떨어뜨려 놓아주십시오. 배터리 간 단락으로 인한 연소 또는 화재를 초래할 수 있습니다.
- ▶ 잘못 사용할 경우, 배터리로부터 전해액이 흘러나올 수 있습니다. 전해액을 직접 만지지 마십시오. 배터리 로부터 흘러나온 전해액은 피부를 손상시킬 수 있으며, 화재를 발생시킬 수 있습니다. 의도치 않게 닿은 경 우 물로 씻어내십시오. 이 용액이 눈에 들어간 경우, 의사의 도움을 받아 추가적 조치를 취하십시오.

서비스

- ▶ 전동 공구는 반드시 자격을 갖춘 전문가에 의해 그리고 순정 대체 부품만 이용하여 수리해야 합니다. 이렇게 하여 전동 공구의 안전성을 계속해서 유지할 수 있습니다.

2.2 드릴링 머신에 대한 안전상의 주의사항

- ▶ 기기와 함께 공급된 보조 손잡이를 사용하십시오. 기기를 제어하지 못하면 부상을 입을 수 있습니다.
- ▶ 숨겨진 전선에 공구 비트가 접촉할 수 있는 작업을 실행할 경우, 항상 기기의 절연된 손잡이 부분을 잡으십시오. 전류가 흐르는 전선과 접촉하면 전동공구의 금속 부위를 통해 감전이 될 수도 있습니다.

2.3 그 외 스크류 드라이버에 관한 안전상의 주의사항

사용자 안전수칙

- ▶ 기술적 하자가 없는 상태에서만 제품을 사용하십시오.
- ▶ 어떠한 경우에도 기기를 무단 변경 또는 개조하지 마십시오.
- ▶ 기기와 함께 공급된 보조 손잡이를 사용하십시오. 기기를 제어하지 못하면 부상을 입을 수 있습니다.
- ▶ 항상 양 손으로 기기의 손잡이를 잡고 공구를 고정시키십시오. 손잡이는 건조하고 깨끗하게 유지하십시오.
- ▶ 회전하는 부품에 접촉하지 않도록 하십시오. - 부상 위험!
- ▶ 기기를 사용하는 동안 적합한 보안경, 안전모, 귀마개, 보호장갑, 안전화 및 보호 마스크를 착용해야 합니 다.
- ▶ 공구 교체 시에도 보호장갑을 착용하십시오. 공구 비트에 닿으면 부상을 입거나 화상을 당할 수 있습니다.
- ▶ 보안경을 착용하십시오. 재료의 파편으로 인해 눈 등 신체에 부상을 입을 수 있습니다.
- ▶ 작업을 시작하기 전, 작업 시 발생하는 먼지의 위험 등급을 알아보십시오. 해당 국가의 먼지 방지 규정에 적합하며, 공식적으로 허용된 보호 등급의 산업용 진공 청소기만을 사용하십시오. 낫이 함유된 도료, 일부 목재, 콘크리트/ 조적벽돌/ 수정을 함유한 안석 및 금속과 같은 광물질로부터 나오는 먼지는 건강에 해로울 수 있습니다.
- ▶ 작업장을 잘 환기시키고 먼지의 종류에 따라 필요 시 보호마스크를 착용하십시오. 먼지를 흡입하거나 만 질 경우, 사용자 또는 근처에 있는 사람에게 기관지 질병이나 알레르기 반응이 나타날 수 있습니다. 떠갈나 무 입자 또는 너도밤나무 입자와 같은 특정 종류의 먼지는, 특히 목재 처리용으로 사용하는 첨가제(크롬산 염, 목재 부식 방지제)와 결합하여 암을 일으킬 수 있습니다. 석면 물질은 전문기술자만 다룰 수 있습니다.
- ▶ 손가락의 혈액순환이 잘 되도록 하기 위해 휴식시간 동안 손가락 운동을 하십시오. 장시간 작업하면 진동 으로 인해 혈관 장애 또는 손가락, 손 및 손목의 신경 체계에 이상이 있을 수 있습니다.

전기에 관한 안전수칙

- ▶ 작업을 시작하기 전에, 작업장에서 가려져 있거나 덮혀 있는 전기 배선, 가스 파이프 그리고 하수도관이 있 는지를 점검하십시오. 실수로 전기 케이블을 손상시킨 경우, 기기 바깥쪽에 있는 금속 부품에서 전기 쇼크 를 일으킬 수 있습니다.

전동 공구의 올바른 사용방법과 취급방법

- ▶ 전동공구가 블로킹된 경우 즉시 전동공구의 스위치를 끄십시오. 기기가 옆으로 기울어질 수 있습니다.



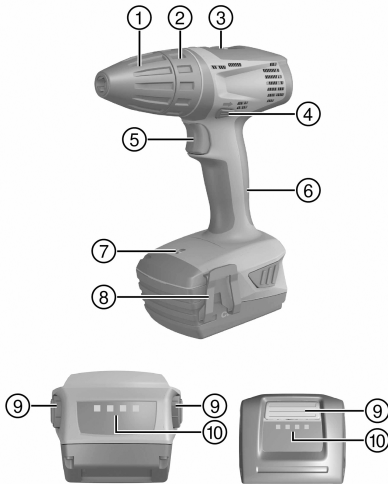
- ▶ 전동공구를 내려놓기 전에 전동공구가 완전히 정지할 때까지 기다리십시오.

2.4 배터리의 올바른 사용방법과 취급방법

- ▶ 리튬 이온 배터리의 운반, 보관 및 사용에 대한 특수 지침에 유의하십시오.
- ▶ 배터리를 고열, 직사광선 및 화염 근처에 두지 마십시오.
- ▶ 배터리를 분해하거나 강한 압력 또는 80°C 이상의 열을 가하거나 연소시켜서는 안됩니다.
- ▶ 충격을 받은 적이 있거나, 1미터가 넘는 높이에서 떨어진 적이 있거나 혹은 다른 방식으로 손상된 배터리는 절대 사용하거나 충전하지 마십시오. 이러한 경우 항상 Hilti 서비스 센터로 문의해 주시기 바랍니다.
- ▶ 배터리를 잡기에 너무 뜨거운 경우에는 고장일 수 있습니다. 가연성 소재와 충분한 간격을 유지하면서, 관찰이 가능한 비연소 장소에 제품을 설치하고 제품을 냉각시키십시오. 이러한 경우 항상 Hilti 서비스 센터로 문의해 주시기 바랍니다.

3 제품 설명

3.1 개요 1



- ① 신속 교환식 드릴 척
- ② 토크 및 드릴 작업 조정 링
- ③ 2단 스위치
- ④ 정회전/역회전 스위치, 스위치ON로크 있음
- ⑤ 컨트롤 스위치(회전속도 전자제어기능 포함)
- ⑥ 손잡이
- ⑦ 램프
- ⑧ 벨트 후크(선택사양)
- ⑨ 충전상태 표시기 활성화 추가 기능이 있는 잠금 해제 버튼
- ⑩ 충전상태 표시 및 고장 표시(리튬 이온 배터리)

3.2 규정에 맞는 사용

기술된 제품은 배터리 구동식 소형 드릴 드라이버입니다. 스크류를 돌려 끼우고 풀기 위한 용도 및 강철, 목재, 플라스틱 소재에 드릴 작업하기 위한 용도로 사용됩니다.

- ▶ 본 제품에는 모델리리즈 B14 및 B22의 Hilti 리튬 이온 배터리만 사용하십시오.
- ▶ 이 배터리에는 Hilti 충전기 C4/36 시리즈만 사용하십시오.

3.3 충전상태 디스플레이

리튬 이온 배터리의 충전 상태는 배터리 잠금 해제 버튼을 누르면 표시됩니다.

| 상태 | 의미 |
|-------------|---------------------|
| 4개 LED 점등됨. | 충전 상태: 75 % ~ 100 % |
| 3개 LED 점등됨. | 충전 상태: 50 % ~ 75 % |
| 2개 LED 점등됨. | 충전 상태: 25 % ~ 50 % |
| 1개 LED 점등됨. | 충전 상태: 10 % ~ 25 % |
| 1개 LED 깜박임. | 충전 상태: < 10 % |

컨트롤 스위치를 누른 상태에서는 충전상태를 조회해볼 수 없습니다.



2073071

3.4 공급품목

드릴 드라이버, 사용 설명서.

- 해당 제품에 허용되는 기타 시스템 제품은 Hilti 센터 또는 온라인에서 확인할 수 있습니다. www.hilti.group.

4 기술자료

4.1 기술 제원

| | SFC 14-A | SFC 22-A |
|--------------------------|---------------------|---------------------|
| 정격 전압 | 14.4V | 21.6V |
| EPTA-Procedure 01에 따른 무게 | 1.5kg | 2.4kg |
| 회전속도, 1단 | 0/min ... 500/min | 0/min ... 600/min |
| 회전속도, 2단 | 0/min ... 1,700/min | 0/min ... 1,800/min |
| 토크(최대) | 24Nm | 28Nm |
| 토크 조정 (15단계) | 1.5Nm ... 10Nm | 1.5Nm ... 10Nm |

4.2 배터리

| | |
|----------------|------------------|
| 배터리 모드 전압 | 14.4V |
| 작동 시 주변 온도 | -17 °C ... 60 °C |
| 보관 온도 | -20 °C ... 40 °C |
| 충전 시작 시 배터리 온도 | -10 °C ... 45 °C |

4.3 배터리

| | |
|----------------|------------------|
| 배터리 모드 전압 | 21.6V |
| 작동 시 주변 온도 | -17 °C ... 60 °C |
| 보관 온도 | -20 °C ... 40 °C |
| 충전 시작 시 배터리 온도 | -10 °C ... 45 °C |

4.4 EN 60745에 따른 소음 정보 및 진동값

이 치함에 제시된 음압 및 진동수준은 표준화된 측정방법에 따라 측정된 것이며, 전동공구를 서로 비교하기 위한 용도로 사용할 수 있습니다. 음압 및 진동 수준은 노출 정도를 사전에 예측하는 데에도 유용하게 사용할 수 있도록 설계되어 있습니다. 제시된 데이터는 전동공구의 주된 용도를 나타냅니다. 그러나 전동공구를 다른 용도로 사용하거나 다른 공구 비트를 사용할 경우 또는 유지보수를 충분히 하지 않은 상태에서는 데이터에 편차가 있을 수 있습니다. 이러한 경우 전 작업시간에 걸쳐 노출이 현저하게 증가할 수 있습니다. 노출을 정확하게 평가하기 위해서는 기기 작동이 멈춰 있거나 또는 작동 중이지만 실제로 사용하지 않는 시간도 고려해야 합니다. 이러한 경우 전 작업시간에 걸쳐 노출이 현저하게 감소할 수 있습니다. 사용자를 보호하기 위해 음파 그리고/또는 진동이 작용하기 전에 다음과 같은 추가적인 안전 조치를 취하십시오. 전동공구와 공구 비트의 유지보수, 손을 따뜻하게 유지, 작업순서 정하기 등.

소음 배출 값

| | SFC 14-A | SFC 22-A |
|-------------------------|----------|----------|
| 음압 수준 (L_{pA}) | 69dB(A) | 69dB(A) |
| 음압 수준 허용공차 (K_{pA}) | 3dB(A) | 3dB(A) |
| 소음 수준 | 80dB(A) | 80dB(A) |
| 소음 수준 허용공차 (K_{WA}) | 3dB(A) | 3dB(A) |

진동 총 값

| | SFC 14-A | SFC 22-A |
|------------------------------|----------------------|----------------------|
| 스크류 작업 진동 배출 값 ($a_{h,s}$) | < 2m/s ² | < 2m/s ² |
| 스크류 허용공차 (K) | 1.5m/s ² | 1.5m/s ² |
| 금속에 드릴링 ($a_{h,d}$) | 2.67m/s ² | 2.67m/s ² |
| 금속에서의 드릴링 허용공차 (K) | 1.5m/s ² | 1.5m/s ² |



5 작업 준비

주의

돌발적인 작동으로 인한 부상 위험!

- ▶ 배터리를 끼우기 전에 해당 제품의 전원이 꺼져 있는지 확인하십시오.
- ▶ 기기 설정 또는 액세서리를 교체하기 전에 배터리를 제거하십시오.

본 문서 및 제품에 나와 있는 안전 지침 및 경고 지침에 유의하십시오.

5.1 배터리 충전

1. 충전하기 전에 충전기의 사용 설명서를 읽으십시오.
2. 배터리 및 충전기의 접점이 청결하고 건조한 상태인지 확인하십시오.
3. 허용되는 충전기에서 배터리를 충전하십시오.

5.2 배터리 삽입

주의

단락 또는 배터리 낙하로 인한 부상 위험!

- ▶ 배터리를 끼우기 전에 배터리의 접점 및 제품의 접점에 이물질이 남아 있지 않은지 확인하십시오.
- ▶ 배터리가 제대로 고정되었는지 확인하십시오.

1. 처음으로 사용하기 전, 배터리를 완전히 충전하십시오.
2. 잠기는 소리가 들릴 때까지 배터리를 기기 홀더 안에 끼우십시오.
3. 배터리가 정확하게 설치되어 있는지 점검하십시오.

5.3 배터리 제거

1. 배터리의 잠금 해제 버튼을 누르십시오.
2. 배터리를 기기에서 빼내십시오.

5.4 벨트 후크 조립 (선택사항)

경고

부상 위험. 기기가 떨어질 경우 작업자 및 다른 사람이 다칠 수 있습니다.

- ▶ 작업 시작 전 벨트 후크가 확실하게 고정되었는지 점검하십시오.

벨트 후크로 기기를 신체에 밀착시켜 벨트에 고정시킬 수 있습니다. 벨트 후크는 우측 및 좌측에 착용할 수 있도록 조립할 수 있습니다.

- ▶ 벨트 후크를 조립하십시오.

5.5 공구 비트 끼우기

1. 정회전/역회전 스위치를 중간 위치로 조정하거나 또는 배터리를 기기로부터 분리하십시오.
2. 공구 비트의 연결 끝이 깨끗한지 점검하십시오. 필요할 경우 공구 비트를 청소하십시오.
3. 신속 교환식 드릴 척을 여십시오.
4. 공구 비트를 신속 교환식 드릴 척에 삽입하고, 여러번 기계적인 찰칵 소리가 들릴 때까지 신속 교환식 드릴 척을 조이십시오.
5. 공구 비트가 완전히 고정되었는지 점검하십시오.

6 조작

본 문서 및 제품에 나와 있는 안전 지침 및 경고 지침에 유의하십시오.

6.1 기어 선택

- ▶ 기어를 선택하십시오.



2073071

한국어 155

6.2 정회전/역회전 방향 설정

잠금기능은 모터가 작동하는 동안 절환되는 것을 방지합니다.
중간 위치에서는 컨트롤 스위치가 블로킹됩니다(스위치ON로크).

▶ 정회전/역회전 스위치를 원하는 회전 방향으로 설정하십시오.

6.3 스위치 켜기

▶ 컨트롤 스위치를 누르십시오.

컨트롤 스위치를 누르는 깊이에 따라 최대 회전속도로 설정되기 전까지 회전속도를 자유롭게 설정할 수 있습니다.

6.4 스크류 작업

1. 토크 및 기능 조정 링에서 필요한 토크를 설정하십시오.
2. 정회전/역회전 스위치를 원하는 회전 방향으로 설정하십시오.

6.5 드릴 작업

1. 토크 및 기능 조정 링을 기호에 맞추십시오.
2. 정회전/역회전 스위치를 정회전 위치로 맞추십시오.

6.6 스위치 끄기

▶ 컨트롤 스위치에서 손을 떼십시오.

6.7 공구 비트 분리

1. 정회전/역회전 스위치를 중간 위치로 조정하거나 또는 배터리를 기기로부터 분리하십시오.
2. 신속 교환식 드릴 척을 여십시오.
3. 공구 비트를 신속 교환식 드릴 척에서 당기십시오.

7 관리 및 유지보수

경고

배터리가 끼워진 상태에서 부상 위험!

▶ 관리 및 수리 작업을 진행하기 전에 항상 배터리를 제거하십시오!

기기 관리

- 공구에 부착된 오염물질을 조심스럽게 제거하십시오.
- 마른 솔로 환기 홀을 조심스럽게 청소하십시오.
- 하우징은 약간 물을 적신 천으로만 닦으십시오. 플라스틱 부품을 손상시킬 수 있으므로 절대로 실리콘이 함유된 보호제를 사용하지 마십시오.

리튬 이온 배터리 관리

- 배터리를 오일 및 그리스가 묻지 않도록 깨끗하게 유지하십시오.
- 하우징은 약간 물을 적신 천으로만 닦으십시오. 플라스틱 부품을 손상시킬 수 있으므로 절대로 실리콘이 함유된 보호제를 사용하지 마십시오.
- 습기가 스며들지 않도록 주의하십시오.

유지보수

- 눈에 보이는 모든 부품은 정기적으로 손상 여부를 점검하고 조작 요소가 아무 문제 없이 작동하는지 점검하십시오.
- 손상되었거나 기능 장애가 있는 경우에는 제품을 작동하지 마십시오. 바로 Hilti 서비스 센터에서 수리받으십시오.
- 관리 및 수리 작업 후 모든 보호장치를 가져와 기능을 점검하십시오.

안전하게 작동하기 위해서는 순정품 예비 부품 및 소모품만 사용하십시오. 해당 제품에 허용되는 예비 부품, 소모품 및 액세서리는 Hilti Store 또는 에서 확인할 수 있습니다. www.hilti.group.



8 배터리 기기 운반 및 보관

운반

주의

운반 시 돌발적으로 작동됨!

- ▶ 제품은 항상 배터리를 장착하지 않은 상태로 운반하십시오!
- ▶ 배터리를 분리하십시오.
- ▶ 배터리를 포장하지 않은 채로 운반해서는 절대 안 됩니다.
- ▶ 기기 및 배터리를 장시간 운반한 후에는 사용하기 전에 손상 여부를 점검하십시오.

보관

주의

배터리 결함 또는 방전으로 인한 돌발적인 손상!

- ▶ 제품은 항상 배터리를 장착하지 않은 상태로 보관하십시오!
- ▶ 기기 및 배터리는 최대로 시원하고 건조한 곳에서 보관하십시오.
- ▶ 배터리는 절대 직사광선이 들어오는 곳, 히터 위 또는 유리 뒤쪽에 보관하지 마십시오.
- ▶ 기기와 배터리는 어린이 및 허용되지 않는 사람의 손에 닿지 않도록 하십시오.
- ▶ 기기 및 배터리를 장시간 보관한 후에는 사용하기 전에 손상 여부를 점검하십시오.

9 문제 발생 시 도움말

9.1 문제 발생 시 도움말

본 도표에 제시되어 있지 않거나 스스로 해결할 수 없는 문제가 발생한 경우 Hilti 서비스 센터에 문의하십시오.

| 장애 | 예상되는 원인 | 해결책 |
|------------------------------------|------------------------|--|
| 기기가 작동하지 않음. | 배터리가 완전히 삽입되지 않음. | ▶ 이중으로 찰칵하는 소리가 들릴 때까지 배터리를 맞물려 고정시키십시오. |
| | 배터리가 방전되었음. | ▶ 배터리를 교체하고 방전된 배터리를 충전하십시오. |
| | 전기적 고장. | ▶ 배터리를 기기에서 빼내고 Hilti 서비스 센터에 연락하십시오. |
| 기기가 작동하지 않고 1개 LED가 깜박임. | 배터리가 방전되었음. | ▶ 배터리를 교체하고 방전된 배터리를 충전하십시오. |
| | 배터리 과열 또는 과냉 상태. | ▶ 배터리를 권장된 작동온도 상태로 유지합니다. |
| ON/OFF 스위치를 누를 수가 없음 또는 블로킹됨. | 정회전/역회전 스위치가 중간위치에 있음. | ▶ 정회전/역회전 스위치를 좌측 또는 우측으로 누르십시오. |
| LED 1이 깜박임. | 배터리가 방전되었음. | ▶ 배터리를 교체하고 방전된 배터리를 충전하십시오. |
| | 기기가 과부하됨(사용 한계 초과). | ▶ 작업을 진행하기 전에 항상 제품의 전원 출력에 유의하십시오. 기술 제원을 참조하십시오. |
| 배터리가 평소보다 빨리 방전됨. | 주변 온도가 너무 낮음. | ▶ 실온에서 배터리를 서서히 따뜻하게 하십시오. |
| 배터리를 밀어 넣을 때 이중으로 찰칵하는 소리가 들리지 않음. | 배터리 래치가 오염됨. | ▶ 배터리 래치를 청소하고 배터리를 맞물려 고정시키십시오. 계속해서 문제가 있는 경우, Hilti 서비스 센터를 방문하십시오. |

10 폐기

Hilti 기기는 대부분 재활용이 가능한 소재로 제작되었습니다. 재활용을 위해 개별 부품을 분리하여 주십시오. Hilti는 대부분의 국가에서 재활용을 위해 노후기기를 수거해 갑니다. Hilti 고객 서비스 센터 또는 판매 상담자에게 문의하십시오.



2073071

한국어 157

배터리 폐기

배터리를 부적절하게 폐기함으로 인해 가스 또는 용액이 새어나와 건강상의 피해를 입을 수 있습니다.

- ▶ 손상된 배터리는 전달하지 마십시오!
- ▶ 비전도성 소재로 연결 단자를 막아 두어 단락이 발생하지 않게 하십시오.
- ▶ 배터리가 어린이의 손에 닿지 않도록 폐기하십시오.
- ▶ **Hilti Store**에서 배터리를 폐기하거나 또는 담당 폐기물 처리 업체에 문의하십시오.



- ▶ 전통 공구, 전자식 기기 및 배터리를 일반 가정 쓰레기로 폐기하지 마십시오!

11 China RoHS (유해물질 사용 제한 지침)

아래 링크에서 유해물질에 관한 도표를 확인할 수 있습니다. qr.hilti.com/r4793 (SFC 14-A) 및 qr.hilti.com/r4833 (SFC 22-A).

RoHS 도표로 이어지는 링크는 본 문서 끝에 QR 코드 형식으로 제시되어 있습니다.

12 제조회사 보증

- ▶ 보증 조건에 관한 질문사항은 **Hilti** 파트너 지사에 문의하십시오.

原始操作說明

1 文件相關資訊

1.1 關於此文件

- 初次操作或使用前，請先詳讀此文件。本文件包含安全前提、疑難排解處理和產品使用。
- 請遵守本文件中與產品上的安全說明和警告。
- 操作說明應與產品一起保管，產品交予他人時必須連同操作說明一起轉交。

1.2 已使用的符號說明

1.2.1 警告

警告使用本產品的人員可能發生之危險。採用了以下標示文字：



危險

危險！

- ▶ 此標語警示會發生對人造成嚴重傷害甚至致死的危險情形。



警告

警告！

- ▶ 此標語警示會造成嚴重傷害甚至致死危險的潛在威脅。



注意

注意！

- ▶ 此標語警示可能會發生造成人員受傷，或造成設備及其他財產損壞之危險狀況。

1.2.2 文件中的符號

本文件中採用以下符號：



使用前請閱讀操作說明。



使用說明與其他資訊



處理可回收的材料





不可將電子設備與電池當作家庭廢棄物處置

1.2.3 圖解中的符號

圖解中採用了以下符號：

| | |
|---|-------------------------------|
| | 號碼對應操作說明的開始處的圖解 |
| 3 | 編號代表圖解中的操作步驟順序，可能與內文中的步驟有所不同 |
| | 項目參考編號用於總覽圖解，並請參閱產品總覽章節中使用的編號 |
| | 本符號是為了讓您在操作本產品時可以注意某些重點。 |

1.3 產品專屬符號

1.3.1 產品上的符號

產品上採用下列符號：

| | |
|--------|-------------------------------|
| | 鑽孔時無鎚擊動作 |
| /min | 每分轉數 |
| n_0 | 無負載下的額定速率 |
| | 直流電 (DC) |
| Li-Ion | 鋰電池 |
| | 使用Hilti鋰電池類型系列。請遵守用途一節所提供之資訊。 |
| | 本產品支援相容於iOS及Android平台的無線資料傳輸。 |
| | 請勿將電池使用作為敲擊工具。 |
| | 避免電池掉落。不得使用遭受衝擊或其他原因遭成損壞的電池。 |

1.4 產品資訊

產品是針對專業使用者設計，故僅經訓練、認可的人員可操作、維修與維護本產品。必須告知上述人員關於可能遭遇到的特殊危險。若因未經訓練人員操作錯誤或未依照其原本的用途操作，則本產品和它的輔助工具設備有可能會發生危險。

類型名稱和序號都標示於額定銘牌上。

- ▶ 在下方表格中填入序號。與Hilti維修中心或當地Hilti機關聯絡查詢產品相關事宜時，我們需要您提供產品詳細資訊。

產品資訊 → 頁次 159

產品資訊

| | |
|-------------|----------------------|
| 充電式電鑽 / 起子： | SFC 22-A SFC 14-A |
| 產品代別： | 01 |
| 機具序號： | |

1.5 符合聲明

基於我們唯一的責任，本公司在此聲明本產品符合適用的指示或標準。本文件結尾處有符合聲明之副本。

技術文件已歸檔：

Hilti Entwicklungsgesellschaft mbH | Tool Certification | Hiltistrasse 6 | 86916 Kaufering, Germany



2073071

繁體中文

159

2 安全性

2.1 一般電動機具安全警告

⚠ 警告

請詳閱所有的安全警示及說明。未能遵守以下警示及說明可能會造成電擊事故、火災和/或嚴重的傷害。妥善保存所有警示及說明，以供將來參考。

工作區域安全

- ▶ 請保持工作區的清潔與採光充足。雜亂而昏暗的工作區會導致意外發生。
- ▶ 勿在容易發生爆炸的環境中使用機具，例如有可燃性液體、瓦斯或粉塵存在的環境。機具產生的火花可能會引燃塵埃或煙霧。
- ▶ 操作機具時，請與兒童及旁人保持距離。注意力不集中時容易發生失控的情形。

電力安全

- ▶ 避免讓身體碰到如管線、散熱器、爐灶與冰箱等與土地或地表接觸之物品。如果您的身體接觸到地表或地面，將增加電擊的危險。
- ▶ 請勿將機具曝露在下雨或潮濕的環境中。若水氣進入機具中將增加觸電的危險。

人員安全

- ▶ 操作機具時，請提高警覺，注意進行中的工作並善用常識。感到疲勞或受到藥物、酒精或治療的影響時勿使用機具。操作機具時稍不留神就可能造成嚴重的人員傷亡。
- ▶ 穿戴個人防護裝備。請隨時穿戴眼罩。適當使用防塵面罩、防滑鞋、安全帽及耳罩等安全防護配備可減少人員的傷害。
- ▶ 避免不經意的啟動。在接上電池組、抬起或攜帶機具之前，務必確認開關處於關閉的位置。攜帶機具時，如果把手指放在開關上，或在開關開啟時，將機具插上插頭容易發生意外。
- ▶ 啟動機具前，應將所有調整鑰匙或扳手移開。將扳手或鑰匙留在機具的旋轉零件中可能會造成人員傷害。
- ▶ 勿將手伸出過遠。隨時站穩並維持平衡。這可讓您在意外情況發生時，對機具有較好的控制。
- ▶ 穿著適當服裝。請勿穿著寬鬆的衣服或佩戴珠寶。頭髮、衣服與手套應遠離移動性零件。移動性零件可能會夾到寬鬆的衣服、珠寶或長髮。
- ▶ 如果機具可連接吸塵裝置與集塵設備，請連接並適當使用這些設備。使用集塵裝置可降低與粉塵有關的危險。

機具使用與保養

- ▶ 不可強制使用機具。依據用途使用正確的機具。根據設計的速率使用機具可更快速安全地完成工作。
- ▶ 若開關無法啟動或關閉電動工具時，請勿使用電動工具。任何無法以開關控制的機具都很危險且需要維修。
- ▶ 在對電動工具進行調整、更換配件或存放前，請先拔下電池組。此預防安全措施可降低機具意外啟動的風險。
- ▶ 將閒置的機具貯放在兒童拿不到的地方，勿讓不熟悉或未詳閱本說明的人員操作本機具。機具在未經訓練的使用者手中是很危險的。
- ▶ 維護機具。請檢查移動性零件有無偏移或黏合的情形、零件有無破損，以及任何會影響機具運轉的狀況。如果機具受損，請先修理再使用。很多意外便是由維護不當的機具造成的。
- ▶ 保持切割機具的銳利與清潔。具銳利切割邊緣的切割機具如果得到適當的維護，便較不會發生黏合的現象，且較容易控制。
- ▶ 遵守本指示說明使用機具、配件和工具組等，並考量工作條件與待進行的工作。將機具用在原目的之外之用途可能會造成危險。

電池機具的使用與保養

- ▶ 僅使用原廠指定的充電器進行充電。將適合特定類型電池的充電器用在其它電池時，會有引發火災的危險。
- ▶ 請僅使用機具特別指定的電池匣。使用其他電池匣可能會造成人員傷亡與火災。
- ▶ 電池匣未使用時，請將其遠離如迴紋針、錢幣、鑰匙、針、固定釘或其他會在電池兩極間形成連結的小型金屬物件。在電池兩極間建立短路路會造成灼傷或引起火災。
- ▶ 若使用不當，可能會有液體由電池流出；請避免接觸該液體。若不慎接觸，請以清水沖洗。如果不小心讓液體接觸到眼睛，請立即尋求醫療援助。從電池中滲出的液體，可能會導致過敏或燙傷。

維修服務

- ▶ 請將機具交給合格的維修人員進行維修，並使用相同的替代零件。這可確保維護機具安全。

2.2 鑽孔安全性警告

- ▶ 請使用機具所提供的輔助握把（如有隨附）。機具失控可能會導致人員受傷。



- ▶ 當所進行的工作，其切割配件可能會碰觸到隱藏配線，進行操作時請握住機具的絕緣握把。與「導電」電線接觸的切割配件可能會導致機具暴露在外金屬零件「導電」，使得操作人員遭受電擊。

2.3 螺絲起子的其他安全預防措施

人員安全

- ▶ 請在本產品能正常運轉時使用。
- ▶ 勿嘗試以任何方式改裝機具。
- ▶ 請使用機具輔助握把。機具失控可能導致人員受傷。
- ▶ 以雙手確實握住機具的握把。請保持機具握把清潔和乾燥。
- ▶ 不可碰觸旋轉中零件 – 有受傷的危險！
- ▶ 使用機具時，請穿戴適當的護目鏡、耳罩、防護手套以及輕型呼吸保護器。
- ▶ 更換機具時亦請穿戴防護手套。觸摸配件工具會造成割傷或灼傷。
- ▶ 穿戴護目鏡。飛散的碎片會傷到人體或眼睛。
- ▶ 在開始作業前，請先針對作業時所產生粉塵之危險等級進行確認。使用符合當地粉塵防治條例，且經法定認可為保護等級之工業用吸塵器。含鉛塗料、某些木材及含石英之混凝土 / 石材 / 石頭、礦物質或金屬等材料的粉塵均對身體有害。
- ▶ 請確保工作場所有良好通風，必要時，請依會產生的粉塵類型穿戴適合的口罩。操作人員與旁觀者接觸或吸入粉塵可能會引起過敏並 / 或造成呼吸系統或其他疾病。像是橡木與山毛櫸木材的粉塵已列為致癌物質，尤其是當它們使用調濕塗料（鉻酸鹽、木材防腐劑）時。含石棉之材料僅可交由專業人員處理。
- ▶ 請適時休息，並活動您的手指以促進血液循環。長時間暴露在震動下會造成手指、手掌和手腕的血管和神經系統失調。

電力安全

- ▶ 開始工作前，請先檢查工作區域是否有隱藏的電纜線、瓦斯管或水管。若不小心損壞電纜線，機具外部的金屬零件可能會造成觸電。

機具使用與保養

- ▶ 若配件工具卡住時請立即關閉機具。機具可能會絞到線材。
- ▶ 請等候機具完全停止再將其放下。

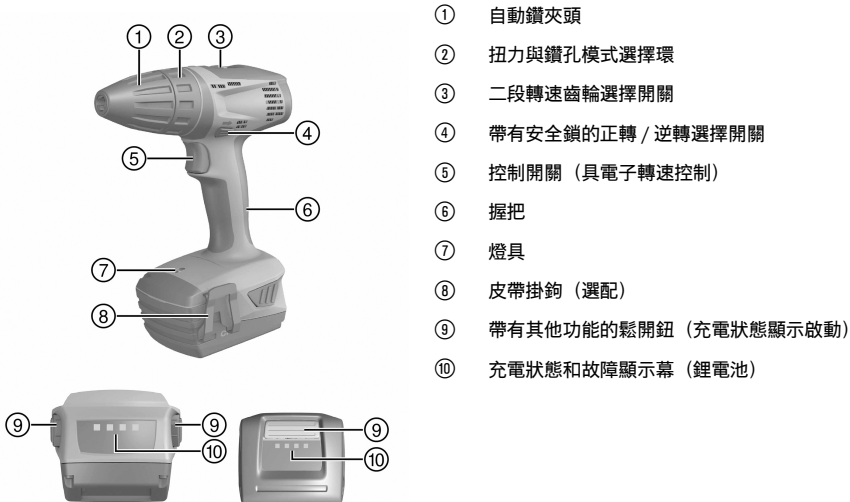
2.4 電池的使用與保養

- ▶ 請遵守適用於搬運、貯放和使用鋰電池的特殊法規和操作說明。
- ▶ 請勿讓電池暴露在高溫下、讓陽光直接照射或接觸火焰。
- ▶ 請勿拆解、擠壓或焚燒電池，且不可將電池置放在溫度超過80°C的環境中。
- ▶ 請勿使用或充電受到機構性衝擊、從高處摔落或有損壞跡象之電池。在此情況下，務必聯絡Hilti維修中心。
- ▶ 若電池溫度過高無法觸摸，表示電池可能已經毀損。此時，可將產品置於可隨時觀察並靜置冷卻的非易燃位置，同時遠離易燃物質。在此情況下，務必聯絡Hilti維修中心。



3 說明

3.1 總覽



- ① 自動鑽夾頭
- ② 扭力與鑽孔模式選擇環
- ③ 二段轉速齒輪選擇開關
- ④ 帶有安全鎖的正轉 / 逆轉選擇開關
- ⑤ 控制開關 (具電子轉速控制)
- ⑥ 握把
- ⑦ 燈具
- ⑧ 皮帶掛鉤 (選配)
- ⑨ 帶有其他功能的鬆開鈕 (充電狀態顯示啟動)
- ⑩ 充電狀態和故障顯示幕 (鋰電池)

3.2 用途

本文所述產品為手持充電式電鑽 / 起子。本機具適用於螺絲之裝卸以及鋼材、木材及塑膠之鑽孔。

- ▶ 本產品限使用B14及B22系列Hilti鋰電池。
- ▶ 以上電池限使用C4/36系列Hilti電池充電器。

3.3 充電狀態顯示

按下電池拆卸鈕後，將會顯示鋰電池的充電狀態。

| 狀態 | 意義 |
|----------|-----------------|
| 4個LED亮起。 | 充電狀態：75 %至100 % |
| 3個LED亮起。 | 充電狀態：50 %至75 % |
| 2個LED亮起。 | 充電狀態：25 %至50 % |
| 1個LED亮起。 | 充電狀態：10 %至25 % |
| 1個LED閃爍。 | 充電狀態：< 10 % |

按下控制開關時將不會顯示電池的充電狀態。

3.4 配備及數量

電鑽 / 起子、操作說明。

- 關於產品，您可於當地Hilti中心或網站查詢其他經過認證可搭配使用的系統產品：www.hilti.group。

4 技術資料

4.1 技術資料

| | SFC 14-A | SFC 22-A |
|-----------------|-------------------|-------------------|
| 額定電壓 | 14.4 V | 21.6 V |
| 重量 (依據EPTA程序01) | 1.5 kg | 2.4 kg |
| 1檔速度 | 0 rpm ... 500 rpm | 0 rpm ... 600 rpm |



| | SFC 14-A | SFC 22-A |
|--------------|---------------------|---------------------|
| 2檔速度 | 0 rpm ... 1,700 rpm | 0 rpm ... 1,800 rpm |
| 扭力 (最大) | 24 Nm | 28 Nm |
| 扭力範圍 (15種設定) | 1.5 Nm ... 10 Nm | 1.5 Nm ... 10 Nm |

4.2 電池

| | |
|----------|------------------|
| 電池操作電壓 | 14.4 V |
| 操作時的環境溫度 | -17 °C ... 60 °C |
| 貯放溫度 | -20 °C ... 40 °C |
| 電池充電啟動溫度 | -10 °C ... 45 °C |

4.3 電池

| | |
|----------|------------------|
| 電池操作電壓 | 21.6 V |
| 操作時的環境溫度 | -17 °C ... 60 °C |
| 貯放溫度 | -20 °C ... 40 °C |
| 電池充電啟動溫度 | -10 °C ... 45 °C |

4.4 噪音資訊和震動值 (依據EN 60745)

初步說明中所提供之音壓和震動值已參照標準測量，並可用來比較不同機具之噪音。它們也可作為噪音量的初步評估。提供之資料表示機具主要應用時之數值。若機具應用於不同之用途，搭配不同的配件工具或在保養不良的情況下，其數據會有所不同。在作業過程中，這會大幅提高其噪音量。當機具關閉，或開啟但未進行任何作業時也應列入考量，才能準確評估噪音量。在作業過程中，這會大幅降低其噪音量。確認其他安全措施，以保護操作員不受噪音和 / 或震動影響，例如：保養機具與其配件工具、操作前保持雙手溫暖、作業型式之安排等。

震動值

| | SFC 14-A | SFC 22-A |
|-------------------------|----------|----------|
| 釋放的音壓級數 (L_{pA}) | 69 dB(A) | 69 dB(A) |
| 無法判定的音壓級數 (K_{pA}) | 3 dB(A) | 3 dB(A) |
| 聲功率級數 | 80 dB(A) | 80 dB(A) |
| 無法判定的聲功率級數 (K_{WA}) | 3 dB(A) | 3 dB(A) |

總震動

| | SFC 14-A | SFC 22-A |
|-----------------------|-----------------------|-----------------------|
| 螺絲起子作業震動噪音值 (a_n) | < 2 m/s ² | < 2 m/s ² |
| 無法判定的螺絲起子作業 (K) | 1.5 m/s ² | 1.5 m/s ² |
| 金屬鑽孔 (a_n, v) | 2.67 m/s ² | 2.67 m/s ² |
| 無法判定的金屬鑽孔 (K) | 1.5 m/s ² | 1.5 m/s ² |

5 工作場所的準備工作

注意

因意外啟動 而受傷的危險！

- ▶ 置入電池前，請確認產品已關閉。
- ▶ 在調整機具或變更配件前請先將電池拆下。

請遵守本文件中與產品上的安全說明和警告。

5.1 為電池充電

1. 電池充電前，請閱讀充電器的操作手冊。
2. 確認電池的接點和充電器的接點清潔且乾燥。
3. 請使用經認可的充電器對電池充電。



2073071

5.2 置入電池

注意

有受傷的危險 因短路或電池掉落！

- ▶ 置入電池前，請確認電池的接點及產品的接點上無任何異物。
 - ▶ 確認電池已確實咬合。
1. 初次使用前，請將電池完全充電。
 2. 將電池裝入電池托盤，直到聽見咬合時發出的喀啦聲。
 3. 請檢查電池是否安裝牢固。

5.3 卸下電池


1. 按下電池拆卸鈕。
2. 請將電池自充電器卸下。

5.4 安裝皮帶掛鉤 (選配)

警告

有受傷的危險！掉落的機具可能會對您以及他人造成傷害。

- ▶ 開始作業前，請確認皮帶掛鉤已繫牢。

 可使用皮帶掛鉤將機具裝至操作員配戴的皮帶上。本皮帶掛鉤可安裝連接在身體左 / 右側。

- ▶ 安裝皮帶掛鉤。

5.5 安裝配件

1. 將正轉 / 逆轉開關設定在中間，或將電池自電動機具卸下。
2. 檢查配件連接頭是否清潔。必要時請清洗連接頭。
3. 打開自動鑽夾頭。
4. 將配件工具插入自動鑽夾頭，接著用手穩穩轉動，直到聽到數聲喀啦聲。
5. 確認配件工具已確實鎖住。


6 操作

請遵守本文件中與產品上的安全說明和警告。

6.1 選擇檔位

- ▶ 選擇檔位。


6.2 正轉或逆轉設定

 聯鎖裝置可防止當馬達運轉時，有任何開關動作。
當正轉 / 逆轉開關在中間時，控制開關便會鎖住 (安全鎖)。

- ▶ 將正轉 / 逆轉開關設定至需要的旋轉方向。

6.3 開啟開關

- ▶ 按下控制開關。

 依據按下控制開關的深度，可以控制旋轉速度無段增加到最大速度。


6.4 螺絲起子作業

1. 將扭力與操作模式選擇環旋轉至所需的記號處。



- 將正轉 / 逆轉開關設定至需要的旋轉方向。

6.5 鑽孔

- 將扭力與操作模式選擇環旋轉至  記號處。
- 將正轉 / 逆轉開關設定為「正轉」。

6.6 關閉開關

- ▶ 鬆開控制開關。

6.7 卸下配件

- 將正轉 / 逆轉開關設定在中間，或將電池自電動機具卸下。
- 打開自動鑽夾頭。
- 將配件從自動鑽夾頭中拉出。

7 維護和保養



警告

電池裝入時有受傷的危險！

- ▶ 進行維護及保養前，請務必卸下電池！

機具維護及保養

- 小心地清除頑強的髒污。
- 請使用乾燥的刷子小心清潔通風口。
- 僅能使用微濕軟布清潔外殼。勿使用含硅樹脂的清潔或亮光劑，因為可能會造成塑膠零件損壞。

鋰電池的保養

- 避免電池沾上油脂。
- 只能使用微濕軟布清潔外殼。勿使用含硅樹脂的清潔或亮光劑，因為可能會造成塑膠零件損壞。
- 避免濕氣進入。

維護

- 定期檢查外部零件和控制元件有無損壞跡象，並確認它們運作正常。
- 如果有損壞跡象或任何零件功能故障，請不要操作本產品。請將產品立刻交付Hilti維修中心進行維修。
- 清潔及保養後，裝上所有防護套或保護裝置並檢查功能是否正常。



為確保操作的安全及可靠性，請務必使用原廠Hilti備件與耗材。您可以在Hilti Store或網站：選購Hilti認可的備件、耗材和配件。www.hilti.group。

8 充電式機具的搬運與貯放

搬運



注意

搬運時意外啟動！

- ▶ 搬運產品時務必卸下電池！
- ▶ 卸下電池。
- ▶ 切勿以堆疊（分散，未受到保護）的方式運送電池。
- ▶ 長途搬運後，在使用前請檢查機具與電池是否有損壞。

設備的貯放



注意

電池故障或漏液造成的意外損害！

- ▶ 儲存產品時務必將電池卸下！
- ▶ 請儘可能將機具與電池貯放於陰涼乾燥處。
- ▶ 請勿將電池貯放於日光直射處、加熱裝置旁或窗台上。
- ▶ 請將機具與電池貯放在乾燥且兒童或未授權的人員無法觸及的地點。
- ▶ 長時間貯放後，在使用前請檢查機具與電池是否有損壞。



2073071

9 故障排除

9.1 故障排除

若您遇到未列出的問題或是無法自行排除的問題，請聯絡Hilti維修中心。

| 故障 | 可能原因 | 解決方法 |
|-----------------------|------------------|---|
| 機具不會運作。 | 電池沒有完全置入。 | ▶ 壓下電池直到聽見咬合時發出的兩聲喀啦聲。 |
| | 電池電量不足。 | ▶ 更換電池，並對無電量的電池再次充電。 |
| | 電力故障。 | ▶ 將電池從機具上卸下，並聯絡Hilti維修中心。 |
| 機具不會運作且一顆LED閃爍。 | 電池電量不足。 | ▶ 更換電池，並對無電量的電池再次充電。 |
| | 該電池過熱或過冷。 | ▶ 將電池置於建議的操作溫度環境內。 |
| 無法按下On/Off按鈕，亦即按鈕已鎖住。 | 正轉 / 逆轉開關位於中間位置。 | ▶ 將正轉 / 逆轉開關推向左邊或右邊。 |
| LED 1閃爍 | 電池電量不足。 | ▶ 更換電池，並對無電量的電池再次充電。 |
| | 機具已超載（超出其應用限制）。 | ▶ 使用前，請注意產品的額定功率和效能，以確認是否適合目前的工作。請參閱「技術資料」章節。 |
| 電池較一般電池壽命短。 | 周遭環境溫度極低。 | ▶ 將電池放在室溫下緩慢升溫。 |
| 電池咬合時沒有發出兩聲喀啦聲。 | 電池上的卡榫太髒。 | ▶ 清潔卡榫並推入電池，直到確實咬合。如果問題仍舊存在，請與Hilti維修中心聯絡。 |

10 廢棄設備處置

Hilti機具或設備所採用的材料大部分均可回收再利用。材料在回收前必須正確地分類。在許多國家中，您可以將舊機具及設備送回Hilti進行回收。詳情請洽Hilti維修中心，或當地Hilti代理商。

電池處置

不當處理電池會造成有害健康之氣體或液體。

- ▶ 請勿以郵寄方式寄送電池！
- ▶ 將電池端子蓋上不導電物質（例如絕緣膠帶）以避免短路。
- ▶ 請將電池棄置於兒童無法觸及的地方。
- ▶ 請將該電池送交Hilti Store處理，或參考所在地的垃圾處理管轄機構或公共健康與安全機關之處理說明。



- ▶ 請勿將機具、電子設備或電池當作一般家用廢棄物處理！

11 中國RoHS（使用危險物質的限制指南）

下列連結可前往危險物質的表格：qr.hilti.com/r4793 (SFC 14-A) 和qr.hilti.com/r4833 (SFC 22-A)。您可在文件最後找到QR碼格式的RoHS表連結。

12 製造商保固

- ▶ 如果您對於保固條件有任何問題，請聯絡當地Hilti代理商。



原版操作说明

1 文档信息

1.1 关于该文档

- 首次操作或使用前，请阅读本文档。这是安全、无故障地操作和使用产品的前提条件。
- 请遵守本文档中以及产品上的安全说明和警告。
- 请务必将本操作说明与本产品保存在一起，确保将操作说明随产品一起交给他人。

1.2 使用符号的说明

1.2.1 警告

警告是为了提醒您在处理或使用此产品时会发生的危险。使用以下信号词：



危险！

- ▶ 用于让人们能够注意到会导致严重身体伤害或致命的迫近危险。



警告！

- ▶ 用于提醒人们注意可能导致严重或致命伤害的潜在危险。



小心！

- ▶ 用于提醒人们注意可能导致轻微人身伤害、设备损坏或其他财产损失的潜在危险情形。

1.2.2 文档中的符号

本文档中使用下列符号：

| | |
|--|--------------------|
| | 请在使用之前阅读操作说明。 |
| | 使用说明和其他有用信息 |
| | 处理可回收材料 |
| | 不得将电气设备和电池作为生活垃圾处置 |

1.2.3 图示中的符号

图示中使用了下列符号：

| | |
|--|------------------------------------|
| | 这些编号指本操作说明开始处的相应图示。 |
| | 图示中的编号反映操作顺序，可能与文本中描述的步骤不同。 |
| | 概览图示中使用了项目参考号，该参考号指的是产品概览部分中使用的编号。 |
| | 这些符号旨在提醒您在操作本产品时要特别注意的某些要点。 |

1.3 取决于产品的符号

1.3.1 产品上的符号

产品上使用下列符号：

| | |
|------|-----------|
| | 不通过锤击作用钻孔 |
| /min | 每分钟转数 |



2073071

中文 167

| | |
|--------|--------------------------------------|
| n_0 | 无负荷下的额定转速 |
| == | 直流电 (DC) |
| Li-Ion | 锂离子电池 |
| | 使用 Hilti 锂离子电池类型系列。请遵守“预期用途”一章中所述信息。 |
| | 本产品支持无线数据传输，兼容 iOS 和 Android 平台。 |
| | 切勿将电池用作敲击工具。 |
| | 请勿让电池掉落。切勿使用受到撞击或有任何损坏的电池。 |

1.4 产品信息

本产品专为专业用户而设计，只有经过培训的授权人员才能操作、维修和维护本产品。必须将可能存在的危险专门告知该等人员。如不按照预期用途使用或由未经培训的人员不正确地使用，本产品及其辅助设备可能存在危险。

型号名称和序列号印在铭牌上。

- ▶ 在下表中填写序列号。在联系 Hilti 维修中心或当地 Hilti 机构询问产品时，将要求您提供产品的详细信息。产品信息 → 页码 168

产品信息

| | |
|------------|----------------------|
| 充电式电钻/起子机： | SFC 22-A SFC 14-A |
| 分代号： | 01 |
| 序列号： | |

1.5 符合性声明

按照我们单方面的责任，我们声明本产品符合下列适用指令和标准：一致性声明副本位于本文档结尾处。技术文档在此处归档：

Hilti Entwicklungsgesellschaft mbH | Tool Certification | Hiltistrasse 6 | 86916 Kaufering, Germany

2 安全

2.1 一般电动工具安全警告

警告

请阅读所有安全警告和操作说明。不遵守安全警告和操作说明可能会导致电击、火灾和/或严重人身伤害。请保存所有安全警告和操作说明，以供将来参考。

工作区域安全

- ▶ 保持工作区域清洁和良好照明。杂乱和黑暗的区域容易导致事故。
- ▶ 不要在爆炸性环境中操作电动工具，例如有易燃液体、气体或灰尘。电动工具会产生可以点燃这些灰尘或烟雾的火花。
- ▶ 在操作电动工具时，要令儿童和旁观者远离工作现场。万一分心，可能会使您失去对电动工具的控制。

电气安全

- ▶ 避免人体接触接地表面，如管道、散热片和冰箱。如果您的身体接地，则会增加电击危险。
- ▶ 不要将电动工具暴露在雨水或潮湿环境中。电动工具进水将会增加电击危险。

人身安全

- ▶ 保持警觉，注意您正在进行的工作，并在操作电动工具的过程中，应利用自己的判断能力。当您疲劳或受到药物、酒精或医疗影响时，请不要使用电动工具。当操作电动工具时，瞬间的分心都可能导致严重的人身伤害。
- ▶ 使用个人防护装备。一定要戴上护目装置。防尘罩、防滑安全鞋、安全帽或用于适当情况下的听觉防护装置等防护装备可减少人身伤害。



- ▶ 防止电动工具意外启动。在连接电池组、拿取或运送工具前，确保开关处于关闭位置。将手指放在开关上搬运电动工具或在开关处于“打开”位置时接通电源，都可能会导致事故发生。
- ▶ 在打开电动工具之前，必须拿掉任何调整键或扳手。让扳手或调整键留在电动工具的旋转部件上可能会导致人身伤害。
- ▶ 不要操之过急。应时刻保持正确的站姿和平衡。这在意外情况下能够更好地控制电动工具。
- ▶ 应正确穿着。不要穿着松垮的衣服或佩戴首饰。让头发、衣服和手套远离运动部件。松垮的衣服、首饰或长发会卡在运动部件中。
- ▶ 如果提供有用于连接除尘和集尘设施的装置，应确保将它们连接好并正确使用。使用除尘装置可以减少与灰尘相关的危险。

电动工具的使用和维护

- ▶ 不要强制使用电动工具。针对您的应用场合使用正确的电动工具。正确的电动工具在其额定设计值范围内将能够更好和更安全地工作。
- ▶ 如果通过开关不能使其打开和关闭，则请不要使用电动工具。任何不能通过开关进行控制的电动工具都是危险的，必须对其进行修理。
- ▶ 在进行调整、更换配件或存放电动工具之前，必须将电池组与电动工具断开。此预防性安全措施可减少意外启动电动工具的危险。
- ▶ 将不用的电动工具存放在儿童拿不到的地方，并且不要让不熟悉电动工具或其操作说明的人员操作电动工具。未经培训的用户操作电动工具是危险的。
- ▶ 维护电动工具。检查是否存在运动部件失调或卡滞、部件断裂和任何其它影响电动工具操作的情况。如果存在损坏，则在使用之前应修理电动工具。许多事故都是由于电动工具维护不良造成的。
- ▶ 保持切削工具锋利和清洁。带锋利切削刀的切削工具如果维护得当，很少会发生卡滞且更容易控制。
- ▶ 按照使用说明书，考虑作业条件和进行的作业来使用电动工具、附件和工具的刀头等。将电动工具用于指定用途以外的场合会导致危险。

无绳(电池操作)工具/设备的使用和维护

- ▶ 充电时只能使用制造商指定的充电器。适合某种类型电池组的充电器如果被用于为另一类型电池组充电，则可能会带来火灾危险。
- ▶ 只能使用专用电池组为电动工具供电。使用任何其它电池组可能会带来人身伤害和火灾。
- ▶ 当电池组不用时，应使其远离其它金属物体，例如纸夹、硬币、钥匙、钉子、螺钉或其它小的金属物体，以免造成短路。如果电池端子被短路，则会造成人员烧伤或火灾。
- ▶ 如果持续滥用电池，则可能会造成液体从电池中喷射出来；注意避免接触到液体。如果意外接触到液体，应用水冲洗。如果液体接触眼睛，除了用大量清水冲洗外，还应立即就医。从电池中喷射出来的液体会导致疼痛或灼伤。

保养

- ▶ 将您的电动工具送交专业维修人员，使用同样的备件进行修理。这样才可确保维持电动工具(设备)的安全性。

2.2 钻孔安全警告

- ▶ 应总是使用辅助手柄(若随工具提供)。对工具失去控制可能会导致人身伤害。
- ▶ 当执行切削配件可能会接触到隐藏导线的操作时，应确保只能通过绝缘把手表面握住电动工具。如果切削配件接触“带电”导线，则会使电动工具的裸露金属部件“带电”，从而可能会电击到操作者。

2.3 起子机附加安全预防措施

人身安全

- ▶ 请仅在产品处于完美运转的状态下使用它。
- ▶ 不得以任何方式篡改或改动本工具。
- ▶ 应使用随电动工具提供的辅助把手。对工具失去控制可能会导致人身伤害。
- ▶ 应始终用双手通过提供的把手牢牢握住工具。保持把手清洁干燥。
- ▶ 请勿触摸旋转部件 - 人身伤害危险！
- ▶ 使用电动工具时，必须佩戴适当的护目镜、安全帽、护耳装置、防护手套和轻型呼吸防护装置。
- ▶ 更换工具时，也应戴上防护手套。触碰配套工具会导致割伤和烫伤。
- ▶ 请戴上护目装置。飞溅的碎片会导致身体和眼睛受伤。
- ▶ 在开始工作之前，应测定工作时会产生的粉尘的危险等级。使用具有官方认可防护等级的工业真空吸尘器，并遵守当地适用的粉尘防护规定。一些材料产生的粉尘(例如含铅油漆、某些类型的木材以及含有石英、矿物或金属的混凝土/砖石/石块)可能对人体健康有害。
- ▶ 确保工作场所通风良好，必要时佩戴适用于产生的粉尘类型的呼吸器。接触或吸入这些粉尘可能会导致操作者或旁观者出现过敏性反应和/或呼吸类疾病。某些种类的灰尘还属于致癌物质，例如橡木和山毛榉木灰尘，特别是在带木材调节添加剂(铬酸盐、木材防腐剂)时。仅允许专业人员处理包含石棉的材料。



- ▶ 抽出时间休息并做体育锻炼，改善手指的血液循环状况。工作期间长时间暴露于振动环境可能导致手指、手掌和手腕部位血管和神经系统紊乱。

电气安全

- ▶ 开始工作前，检查工作区域是否有隐蔽的电缆或天然气和水管。如果意外损坏电缆，电动工具的外部金属部件可能会导致触电。

电动工具的使用和维护

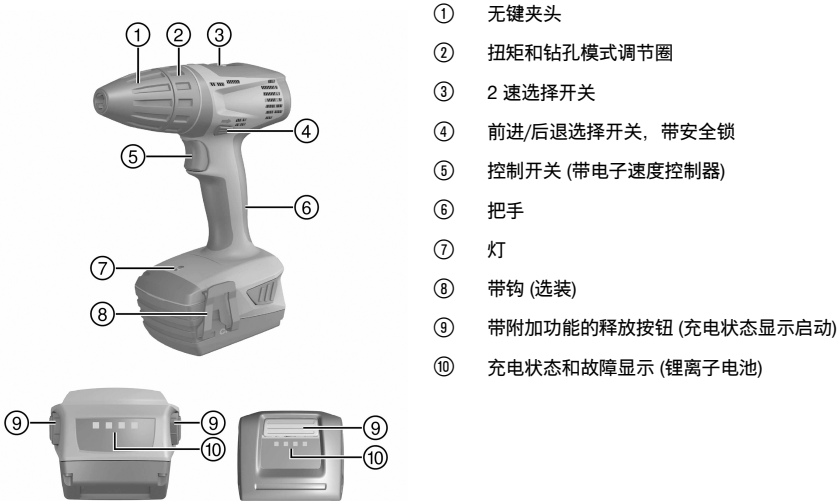
- ▶ 如果配套工具卡住，应立即关闭电动工具。电动工具可能会抱死。
- ▶ 直至电动工具完全停止才可将其放下。

2.4 电池的使用和维护

- ▶ 遵守与锂离子电池的运输、储存和使用相关的特殊规定和适用说明。
- ▶ 不要将电池暴露在高温、直射阳光或明火环境下。
- ▶ 请勿拆开、挤压或烧毁电池，不要让它们暴露于超过 80 °C 的高温下。
- ▶ 如果电池受到过物理冲击、从高处跌落过或表现出损坏迹象，则不得使用电池或为其充电。在这种情况下，请务必联系您的 **Hilti 维修中心**。
- ▶ 如果电池发热烫手，则可能有故障。在这种情况下，将产品放在不易燃的地方，远离易燃材料，一边观察电池情况，一边等待其冷却。在这种情况下，请务必联系您的 **Hilti 维修中心**。

3 说明

3.1 概述



- ① 无键夹头
- ② 扭矩和钻孔模式调节圈
- ③ 2 速选择开关
- ④ 前进/后退选择开关，带安全锁
- ⑤ 控制开关 (带电子速度控制器)
- ⑥ 把手
- ⑦ 灯
- ⑧ 带钩 (选装)
- ⑨ 带附加功能的释放按钮 (充电状态显示启动)
- ⑩ 充电状态和故障显示 (锂离子电池)

3.2 预期用途

所述产品为手持充电式电钻/起子机。其设计用于驱动/拆卸螺丝以及在钢材、木材和塑料中钻孔。

- ▶ 请仅将 **Hilti B14** 和 **B22** 系列锂离子电池与本产品一起使用。
- ▶ 请仅用 **Hilti C4/36** 系列电池充电器为这些电池充电。

3.3 充电状态显示屏

按下释放按钮后，显示锂离子电池的充电状态。

| 状态 | 含义 |
|-------------|-----------------|
| 4 个 LED 亮起。 | 充电状态：75% 至 100% |
| 3 个 LED 亮起。 | 充电状态：50% 至 75% |
| 2 个 LED 亮起。 | 充电状态：25% 至 50% |



| 状态 | 含义 |
|-------------|----------------|
| 1 个 LED 亮起。 | 充电状态：10% 至 25% |
| 1 个 LED 闪烁。 | 充电状态：< 10% |

按下控制开关时，无法显示电池充电状态。

3.4 供货提供的部件：

电钻/起子机，操作说明。

- 您可以在您当地的 Hilti 中心或通过在线访问找到批准用于您的产品的其它系统产品：www.hilti.group。

4 技术数据

4.1 技术数据

| | SFC 14-A | SFC 22-A |
|--------------------|---------------------|---------------------|
| 额定电压 | 14.4 V | 21.6 V |
| 重量 (按照 EPTA 程序 01) | 1.5 kg | 2.4 kg |
| 1 档速度 | 0 rpm ... 500 rpm | 0 rpm ... 600 rpm |
| 2 档速度 | 0 rpm ... 1,700 rpm | 0 rpm ... 1,800 rpm |
| 最大扭矩 | 24 Nm | 28 Nm |
| 扭矩范围 (15 个设置) | 1.5 Nm ... 10 Nm | 1.5 Nm ... 10 Nm |

4.2 电池

| | |
|----------|------------------|
| 电池工作电压 | 14.4 V |
| 工作环境温度 | -17 °C ... 60 °C |
| 存放温度 | -20 °C ... 40 °C |
| 电池充电起始温度 | -10 °C ... 45 °C |

4.3 电池

| | |
|----------|------------------|
| 电池工作电压 | 21.6 V |
| 工作环境温度 | -17 °C ... 60 °C |
| 存放温度 | -20 °C ... 40 °C |
| 电池充电起始温度 | -10 °C ... 45 °C |

4.4 噪音信息和振动值按照 EN 60745 标准

这些说明中给出的声压和振动值按照标准化测试的要求测得，可用于比较一种电动工具与另一种电动工具。它们还可用于初步评价受振动影响的程度。提供的数据代表本电动工具的主要应用。但是，如果将电动工具用于不同的应用、使用不同的配件工具或维护不良，则数据可能不同。这可能会显著增加操作者在整个工作期间受振动影响的程度。对受振动影响程度的准确估计还应考虑当关闭电动工具或当它运行但实际未进行工作时的情况。这可能会显著减小操作者在整个工作期间受振动影响的程度。此外，应确定附加安全措施，以保护操作者免受噪音和/或振动影响，例如：正确维护电动工具和配套工具、保持双手温暖、合理安排工作方式。

噪声排放值

| | SFC 14-A | SFC 22-A |
|------------------------|----------|----------|
| 排放声压级 (L_{pA}) | 69 dB(A) | 69 dB(A) |
| 声压级的不确定性 (K_{pA}) | 3 dB(A) | 3 dB(A) |
| 声 (功率) 级 | 80 dB(A) | 80 dB(A) |
| 声功率级的不确定性 (K_{WA}) | 3 dB(A) | 3 dB(A) |



总振动量

| | SFC 14-A | SFC 22-A |
|----------------------|-----------------------|-----------------------|
| 螺丝驱动的振动排放值 (a_n) | < 2 m/s ² | < 2 m/s ² |
| 螺丝驱动的不确定性 (K) | 1.5 m/s ² | 1.5 m/s ² |
| 在金属中钻孔 ($a_{n,D}$) | 2.67 m/s ² | 2.67 m/s ² |
| 在金属中钻孔的不确定性 (K) | 1.5 m/s ² | 1.5 m/s ² |

5 工作现场的准备工作



人身伤害的危险 意外启动会带来伤害风险！

- ▶ 插入电池前，确保已关闭产品。
- ▶ 对电动工具执行任何调节或更换配件前，先取出电池。

请遵守本文档中以及产品上的安全说明和警告。

5.1 为电池充电

1. 为电池充电之前，请阅读充电器的操作说明。
2. 确保电池和充电器上的触点均清洁、干燥。
3. 使用认可的充电器为电池充电。

5.2 插入电池



电池短路或跌落 有导致受伤的危险！

- ▶ 插入电池之前，确保产品上的触点以及设备上的触点均无异物。
- ▶ 确保电池接合正确。

1. 在首次使用电池之前，要给电池完全充电。
2. 将电池推入电池座中，直至听到它接合的“咔嚓”声。
3. 检查并确认电池已可靠就位。

5.3 拆卸电池

1. 按下电池释放按钮。
2. 将电池从工具中取出。

5.4 安装皮带钩 (选装)



人身伤害的危险。如果电动工具掉落，则可能会对您或他人造成人身伤害。

- ▶ 在开始工作之前，检查并确保带钩已可靠安装。



通过带钩可将电动工具连接在操作者佩戴的背带上。安装好皮带钩后，将电动工具挂在身体的左边或右边。

- ▶ 安装皮带钩。

5.5 安装配套工具

1. 将前进/后退开关设置在中间位置或从电动工具上拆下电池。
2. 检查并确认配件工具连接端清洁。必要时清洁连接端。
3. 打开无匙夹头。
4. 将配套工具插入无匙夹头中，然后用手用力旋转夹头，直至紧固并听见多次“咔嚓”声。
5. 检查并确保配套工具牢牢固定。



6 操作

请遵守本文档以及产品上的安全说明和警告。

6.1 选择档位

- ▶ 选择档位。

6.2 设置前进或后退旋转



但在电机运行时，联锁装置将会阻止此切换。

当前进/后退开关位于中间位置(安全锁)时，控制开关被锁止。

- ▶ 将前进/后退开关设置到期望的旋转方向。

6.3 打开

- ▶ 按下控制开关。




通过调整按下控制开关的深度，可对速度进行无级控制，直至达到最大值。

6.4 螺丝驱动

1. 将扭矩和操作模式调节圈设置为所需的扭矩。
2. 将前进/后退开关设置到期望的旋转方向。

6.5 钻孔

1. 将扭矩和操作模式调节圈设置为  符号。
2. 将前进/后退开关设置到“前进”位置。

6.6 关闭

- ▶ 释放控制开关。

6.7 拆卸配件工具

1. 将前进/后退开关设置在中间位置或从电动工具上拆下电池。
2. 打开无匙夹头。
3. 将配套工具拉出无匙夹头。

7 维护和保养



-警告-

插入电池时存在人身伤害危险！

- ▶ 执行维护和保养任务之前，请务必先取出电池。

本工具的维护和保养

- 小心地清除顽固污渍。
- 使用干燥的刷子小心清洁通风孔。
- 请仅使用略湿的布清洁壳体。不要使用含硅清洁剂，否则可能腐蚀塑料件。

锂离子电池的保养

- 确保电池远离油和油脂。
- 请仅使用略湿的布清洁壳体。不要使用含硅清洁剂，否则可能腐蚀塑料件。
- 注意避免湿气侵入。

维护

- 定期检查所有可见部件和控制器是否出现损坏迹象，确保其全部正常工作。
- 如果发现损坏迹象或如果有部件发生故障，不要操作本产品。立即将产品交由 Hilti 维修中心修复。
- 清洁和维护之后，安装所有护板或保护装置，检查并确认其正常工作。



2073071

中文 173

i 为确保安全和可靠的操作，仅限使用喜利得原装备件和消耗品。Hilti 批准用于配合产品使用的备件、消耗品和配件可到您当地的 **Hilti Store** 购买或通过以下网址在线订购：www.hilti.group。

8 运输和存放无绳工具

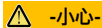
运输



运输途中的意外启动！

- ▶ 运输产品前务必将电池取出！
- ▶ 拆下电池。
- ▶ 切勿松散、未加保护地运输大批量电池。
- ▶ 在长时间运输后使用前，检查工具和电池是否损坏。

存放



电池故障或泄漏导致的意外损坏！

- ▶ 存放产品前务必将电池取出！
- ▶ 将工具和电池存放在尽量凉爽和干燥的地方。
- ▶ 切勿将电池存放在阳光直射位置、加热单元上或窗玻璃后。
- ▶ 将工具和电池存放在儿童或非授权人员无法接近的干燥位置。
- ▶ 工具和电池经过长期存放后，在使用之前，检查其是否受损。

9 故障排除

9.1 故障排除

如果您碰到的问题未在此表中列出或您无法自己实施补救措施，请联系 **Hilti** 服务部门。

| 故障 | 可能原因 | 解决方案 |
|----------------------|------------------|---|
| 电动工具不工作。 | 电池未完全插入。 | ▶ 推入电池直至听到它接合的“双咔哒”声。 |
| | 电池电量低。 | ▶ 更换电池，并对已放电电池充电。 |
| | 电气故障。 | ▶ 将电池从工具上拆下，并联系 Hilti 维修中心。 |
| 工具不工作且一个 LED 闪烁。 | 电池电量低。 | ▶ 更换电池，并对已放电电池充电。 |
| | 电池过热或过冷。 | ▶ 将电池调整至推荐的工作温度。 |
| 不能按下打开/关闭按钮，即按钮被锁止。 | 前进/后退选择开关处于中间位置。 | ▶ 将前进/后退开关推向左侧或右侧。 |
| LED 1 闪烁 | 电池电量低。 | ▶ 更换电池，并对已放电电池充电。 |
| | 电动工具过载 (超出应用极限)。 | ▶ 使用本产品之前，注意其额定功率和性能，即检查其是否适用于手头的工作。参见“技术数据”章节。 |
| 电池比平常更快耗尽。 | 非常低的环境温度。 | ▶ 允许电池缓慢加热到室温。 |
| 电池没有在听到“双咔哒”声的情况下接合。 | 电池上的固定凸耳脏污。 | ▶ 清洁固定凸耳，并将电池推进直至固定接合。如果问题仍存在，联系 Hilti 维修中心。 |

10 废弃处置

大部分用于 **Hilti** 工具和设备生产的材料是可回收利用的。在可以回收之前，必须正确分离材料。在很多国家，您的旧工具、机器或设备可送至 **Hilti** 进行回收。敬请联系 **Hilti** 维修中心或 **Hilti** 代表获得更多信息。



电池处置

电池处置不当可能会造成漏气或漏液，最终导致健康危害。

- ▶ 不得通过邮寄方式发送电池！
- ▶ 用非导电材料 (比如绝缘带) 包住端子，以防止短路。
- ▶ 在儿童接触不到的地方处置电池。
- ▶ 请至 **Hilti Store** 处置电池，或咨询当地政府下属的垃圾处置或公共健康和安全管理机构，以获取处置说明。



- ▶ 不得将电动工具、电子设备或电池作为生活垃圾处置！

11 中国 RoHS (关于限制使用危险物质的指南)

您可通过以下链接跳转至危险物质表：qr.hilti.com/r4793 (SFC 14-A) 和 qr.hilti.com/r4833 (SFC 22-A)。您将在本文档末尾找到指向 RoHS 表格的链接 (二维码形式)。

12 制造商保修

- ▶ 如果您有保修条件方面的问题，请联系您当地的 **Hilti** 公司代表。







Hilti Corporation
Feldkircherstraße 100
9494 Schaan | Liechtenstein

SFC 14-A (01)

[2010]

SFC 22-A (01)

[2010]

2006/42/EC

EN 60745-1

2014/30/EU

EN 60745-2-1

2011/65/EU

EN 55014-1:2017

EN 55014-2:2015

Schaan, 20.08.2019

Paolo Luccini

Head of Quality and Process Management
BA Electric Tools & Accessories

Tassilo Deinzer

Executive Vice President
BU Electric Tools & Accessories

ROHS 
SFC 14-A



ROHS 
SFC 22-A





Hilti Corporation
LI-9494 Schaan
Tel.:+423 234 21 11
Fax:+423 234 29 65
www.hilti.group



2073071