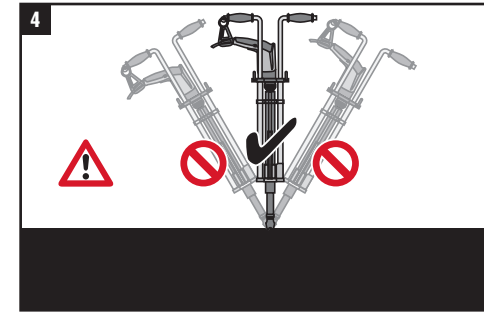
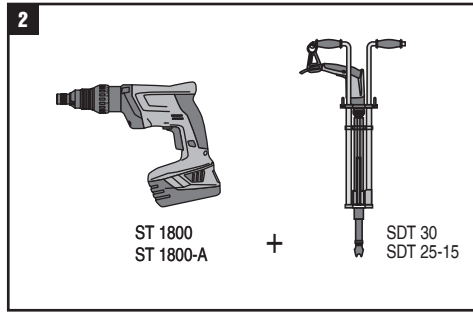
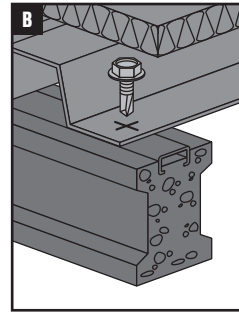
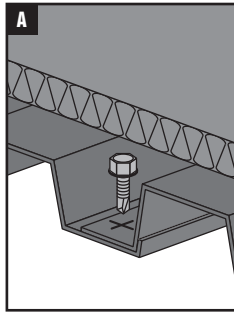




**S-MS_M/
S-MD_M**

442407-02.2011



1	
A SDT 30	B SDT 25-15
S-MS 01Z 4.8x20M	S-MD 23Z 6.3x22M
S-MD 01Z 4.8x19M	S-MDU 21Z 6.3x22M
S-MD 03Z 5.5x25M	
S-MD 23Z 5.5x22M	

