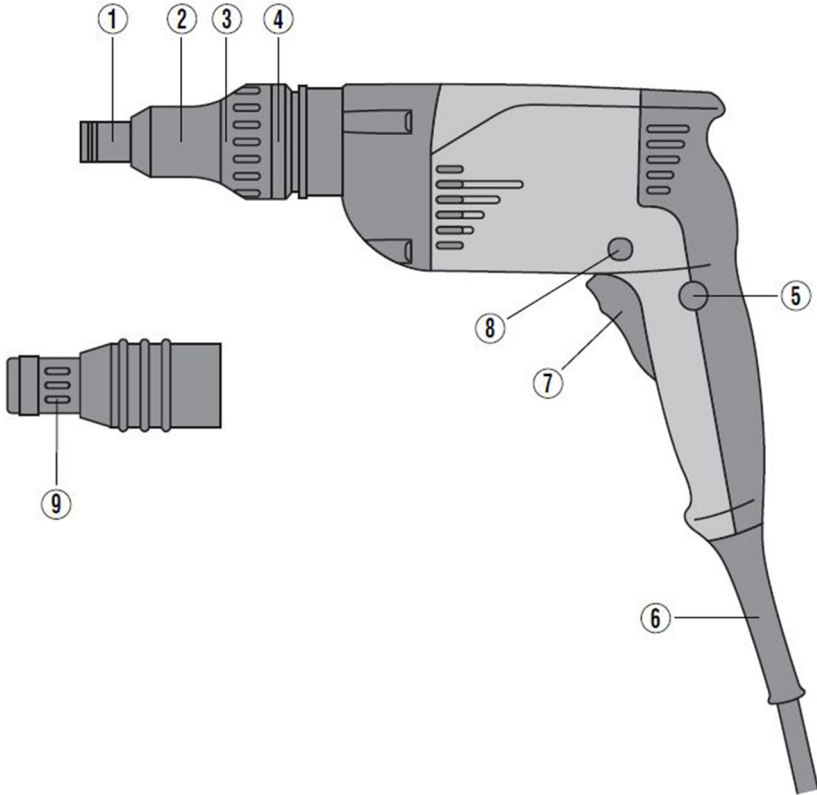




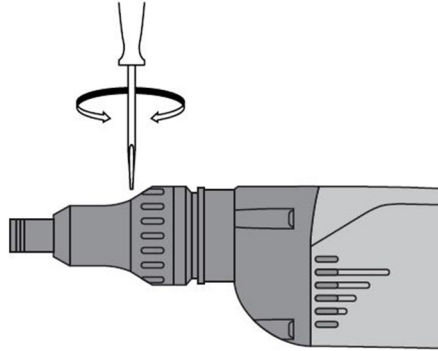
ST 1800

English
עברית

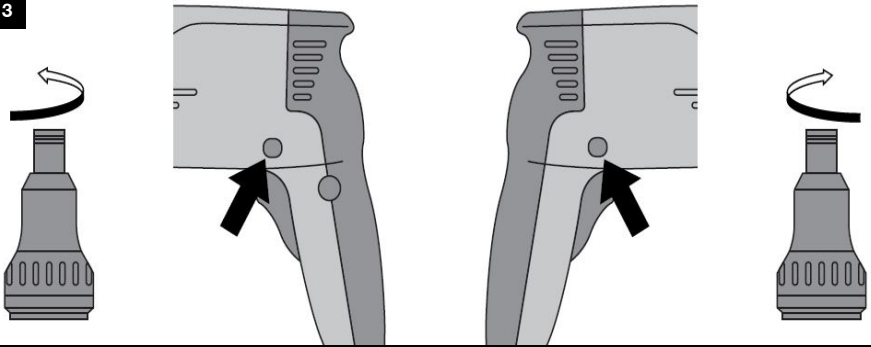
1
8



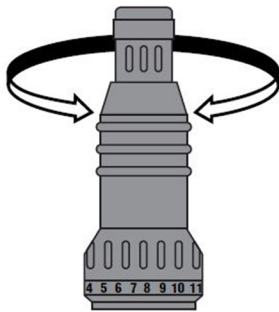
2



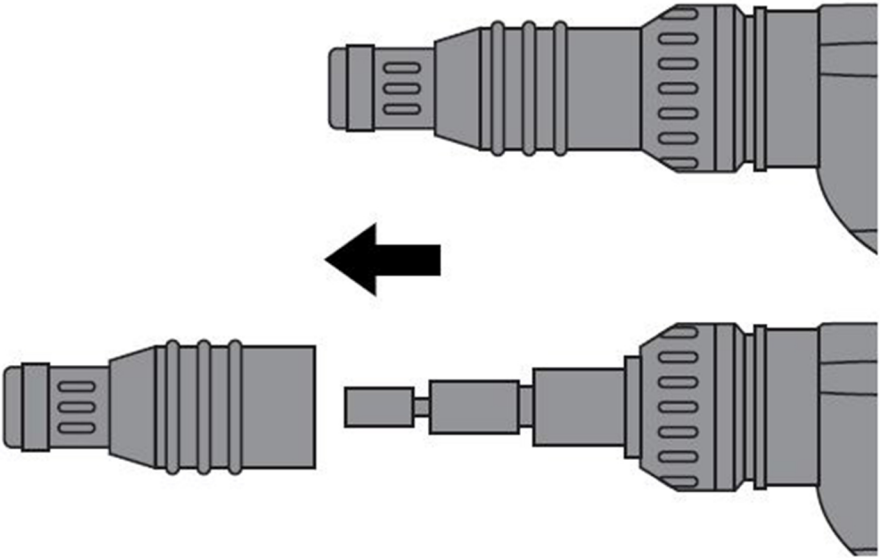
3



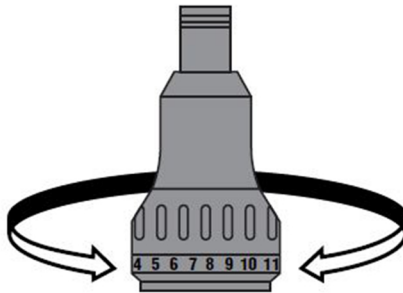
4



5



6



1 Information about the documentation

1.1 About this documentation

- Read this documentation before initial operation or use. This is a prerequisite for safe, trouble-free handling and use of the product.
- Observe the safety instructions and warnings in this documentation and on the product.
- Always keep the operating instructions with the product and make sure that the operating instructions are with the product when it is given to other persons.

1.2 Explanation of symbols used

1.2.1 Warnings

Warnings alert persons to hazards that occur when handling or using the product. The following signal words are used:



DANGER !

- ▶ Draws attention to imminent danger that will lead to serious personal injury or fatality.



WARNING !

- ▶ Draws attention to a potential threat of danger that can lead to serious injury or fatality.



CAUTION !

- ▶ Draws attention to a potentially dangerous situation that could lead to slight personal injury or damage to the equipment or other property.

1.2.2 Symbols in the documentation

The following symbols are used in this document:

	Read the operating instructions before use.
	Instructions for use and other useful information
	Dealing with recyclable materials
	Do not dispose of electric equipment and batteries as household waste

1.2.3 Symbols in the illustrations

The following symbols are used in illustrations:

	These numbers refer to the corresponding illustrations found at the beginning of these operating instructions
3	The numbering reflects the sequence of operations shown in the illustrations and may deviate from the steps described in the text
	Item reference numbers are used in the overview illustrations and refer to the numbers used in the product overview section
	This symbol is intended to draw special attention to certain points when handling the product.
	Wireless data transfer

1.3 Product-dependent symbols

1.3.1 Symbols

The following symbols are also used:

	Wear protective glasses while working with the tool.
	Wear ear protection while working with the tool.
	Wear protective gloves while working with the tool.

1.4 Product information

products are designed for professional users and only trained, authorized personnel are permitted to operate, service and maintain the products. This personnel must be specifically informed about the possible hazards. The product and its ancillary equipment can present hazards if used incorrectly by untrained personnel or if used not in accordance with the intended use.

The type designation and serial number are printed on the rating plate.

- ▶ Write down the serial number in the table below. You will be required to state the product details when contacting Hilti Service or your local Hilti organization to inquire about the product.

Product information

Metal construction screwdriver	ST 1800
Generation	01
Serial no.	

1.5 Declaration of conformity

We declare, on our sole responsibility, that the product described here complies with the applicable directives and standards. A copy of the declaration of conformity can be found at the end of this documentation.

The technical documentation is filed and stored here:

Hilti Entwicklungsgesellschaft mbH | Tool Certification | Hiltistraße 6 | 86916 Kaufering, DE

2 Safety

2.1 General power tool safety warnings

⚠ WARNING Read all safety warnings, instructions, illustrations and specifications provided with this power tool. Failure to follow all instructions listed below may result in electric shock, fire and/or serious injury. **Save all warnings and instructions for future reference.**

The term "power tool" in the warnings refers to your mains-operated (corded) power tool or battery-operated (cordless) power tool.

Work area safety

- ▶ **Keep work area clean and well lit.** Cluttered or dark areas invite accidents.
- ▶ **Do not operate power tools in explosive atmospheres, such as in the presence of flammable liquids, gases or dust.** Power tools create sparks which may ignite the dust or fumes.
- ▶ **Keep children and bystanders away while operating a power tool.** Distractions can cause you to lose control.

Electrical safety

- ▶ **Power tool plugs must match the outlet. Never modify the plug in any way. Do not use any adapter plugs with earthed (grounded) power tools.** Unmodified plugs and matching outlets will reduce risk of electric shock.
- ▶ **Avoid body contact with earthed or grounded surfaces, such as pipes, radiators, ranges and refrigerators.** There is an increased risk of electric shock if your body is earthed or grounded.
- ▶ **Do not expose power tools to rain or wet conditions.** Water entering a power tool will increase the risk of electric shock.
- ▶ **Do not abuse the cord. Never use the cord for carrying, pulling or unplugging the power tool. Keep cord away from heat, oil, sharp edges or moving parts.** Damaged or entangled cords increase the risk of electric shock.



- ▶ **When operating a power tool outdoors, use an extension cord suitable for outdoor use.** Use of a cord suitable for outdoor use reduces the risk of electric shock.
- ▶ **If operating a power tool in a damp location is unavoidable, use a residual current device (RCD) protected supply.** Use of an RCD reduces the risk of electric shock.

Personal safety

- ▶ **Stay alert, watch what you are doing and use common sense when operating a power tool. Do not use a power tool while you are tired or under the influence of drugs, alcohol or medication.** A moment of inattention while operating power tools may result in serious personal injury.
- ▶ **Use personal protective equipment. Always wear eye protection.** Protective equipment such as a dust mask, non-skid safety shoes, hard hat or hearing protection used for appropriate conditions will reduce personal injuries.
- ▶ **Prevent unintentional starting. Ensure the switch is in the off-position before connecting to power source and/or battery pack, picking up or carrying the tool.** Carrying power tools with your finger on the switch or energising power tools that have the switch on invites accidents.
- ▶ **Remove any adjusting key or wrench before turning the power tool on.** A wrench or a key left attached to a rotating part of the power tool may result in personal injury.
- ▶ **Do not overreach. Keep proper footing and balance at all times.** This enables better control of the power tool in unexpected situations.
- ▶ **Dress properly. Do not wear loose clothing or jewellery. Keep your hair and clothing away from moving parts.** Loose clothes, jewellery or long hair can be caught in moving parts.
- ▶ **If devices are provided for the connection of dust extraction and collection facilities, ensure these are connected and properly used.** Use of dust collection can reduce dust-related hazards.
- ▶ **Do not let familiarity gained from frequent use of tools allow you to become complacent and ignore tool safety principles.** A careless action can cause severe injury within a fraction of a second.

Power tool use and care

- ▶ **Do not force the power tool. Use the correct power tool for your application.** The correct power tool will do the job better and safer at the rate for which it was designed.
- ▶ **Do not use the power tool if the switch does not turn it on and off.** Any power tool that cannot be controlled with the switch is dangerous and must be repaired.
- ▶ **Disconnect the plug from the power source and/or remove the battery pack, if detachable, from the power tool before making any adjustments, changing accessories, or storing power tools.** Such preventive safety measures reduce the risk of starting the power tool accidentally.
- ▶ **Store idle power tools out of the reach of children and do not allow persons unfamiliar with the power tool or these instructions to operate the power tool.** Power tools are dangerous in the hands of untrained users.
- ▶ **Maintain power tools and accessories. Check for misalignment or binding of moving parts, breakage of parts and any other condition that may affect the power tool's operation. If damaged, have the power tool repaired before use.** Many accidents are caused by poorly maintained power tools.
- ▶ **Keep cutting tools sharp and clean.** Properly maintained cutting tools with sharp cutting edges are less likely to bind and are easier to control.
- ▶ **Use the power tool, accessories and tool bits etc. in accordance with these instructions, taking into account the working conditions and the work to be performed.** Use of the power tool for operations different from those intended could result in a hazardous situation.
- ▶ **Keep handles and grasping surfaces dry, clean and free from oil and grease.** Slippery handles and grasping surfaces do not allow for safe handling and control of the tool in unexpected situations.

Service

- ▶ **Have your power tool serviced by a qualified repair person using only identical replacement parts.** This will ensure that the safety of the power tool is maintained.

2.2 Additional safety precautions for screwdrivers

Personal safety

- ▶ Only use the product if it is in perfect working order.
- ▶ Never tamper with or modify the tool in any way.
- ▶ Use the auxiliary grip supplied with the tool. Loss of control can cause personal injury.
- ▶ Always hold the power tool with both hands on the grips provided. Keep the grips clean and dry.
- ▶ Hold the power tool by the insulated gripping surfaces when performing an operation where the accessory tool may come into contact with concealed wiring. If the accessory tool comes into contact with a live



wire, metal parts of the power tool may also become live, causing the operator to receive an electric shock.

- ▶ Avoid touching rotating parts – risk of injury!
- ▶ Wear suitable protective glasses, a hard hat, ear protection, protective gloves and light respiratory protection while using the tool.
- ▶ Wear protective gloves also when changing the accessory tool. Touching the accessory tool presents a risk of injury (cuts or burns).
- ▶ Wear eye protection. Flying fragments present a risk of injury to the body and eyes.
- ▶ Before starting work, check the hazard class of the dust that will be produced when working. Use an industrial vacuum cleaner with an officially approved protection class in compliance with the locally applicable dust protection regulations. Dust from materials such as lead-based paint, certain types of wood and concrete/masonry/stone containing quartz, minerals or metal may be harmful to health.
- ▶ Make sure that the working area is well ventilated and, where necessary, wear a respirator appropriate for the type of dust generated. Contact with or inhalation of dust may cause allergic reactions and/or respiratory or other diseases to the operator or bystanders. Certain kinds of dust, such as oak and beech dust, are classified as carcinogenic, especially in conjunction with additives for treating wood (chromate, wood preservative). Materials containing asbestos may only be handled by specialists.
- ▶ Take breaks between working and do physical exercises to improve the blood circulation in your fingers. Exposure to vibration during long periods of work can lead to disorders of the blood vessels and nervous system in the fingers, hands and wrists.

Electrical safety

- ▶ Before starting work, check the working area for concealed electric cables or gas and water pipes. If you damage an electric cable accidentally, external metal parts of the power tool may become live and present a risk of electric shock.

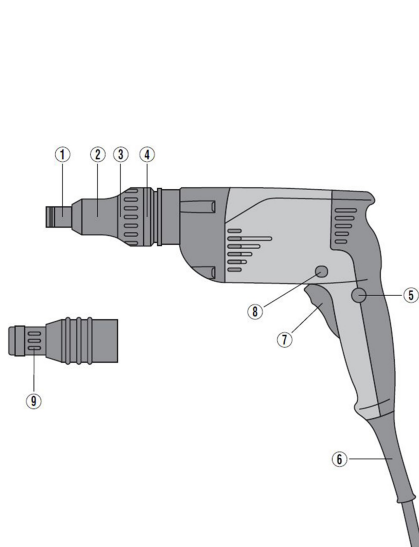
Careful handling and use of power tools

- ▶ Switch the power tool off immediately if the accessory tool jams. The power tool may go off course and veer to the side.
- ▶ Wait until the power tool has come to a complete stop before setting it down.



3 Description

3.1 Overview of the product



- ① Chuck
- ② Protective sleeve
- ③ Click connection between depth gauge and power tool
- ④ Torque adjustment
- ⑤ Control switch lockbutton
- ⑥ Supply cord
- ⑦ Control switch
- ⑧ Forward / reverse switch
- ⑨ Depth gauge adjustment

3.2 Intended use

The product described is a hand-held electric screwdriver for fastening profile metal sheets, metal sheets and sandwich panels in metal construction. The power tool is designed for driving and removing screws in drywall installation work.

It is possible to use a stand-up tool extension for driving collated screws.

3.3 Main applications / torque settings

Application	Screw type	Diameter in mm	Torque setting
Sheet metal to sheet metal	S-MD	4.2	1 - 2
	S-MD	4.8	1 - 8
	S-MS	4.8	1 - 8
Sheet metal to steel profile	S-MD 51 + S-MD 21	5.5	8 - 13
	S-MD 53 + S-MD 23	5.5	6 - 11
	S-MP 52	6.3	4 - 12
Sheet metal to steel beam	S-MD 55 + S-MD 21	5.5	2 - 7
	S-MP 53	6.5	8 - 14
Sheet metal to timber	S-MP 53	6.5	14 - 18
Fiber-cement board on steel profile	S-FD 03	6.3	6 - 12
Fiber-cement board on steel beam	S-FD 05	6.3	12 - 15
Fiber-cement board on wood	S-FD 01	6.5	12 - 18
Sandwich panel to steel profile	S-CD 63	5.5	2 - 7
Sandwich panel to steel beam	S-CD 65	5.5	2 - 9



378502

English

Application	Screw type	Diameter in mm	Torque setting
Sandwich panel to wood	S-CDW 61	6.5	5 - 8

3.4 Items supplied

Metal construction screwdriver, ST-DG 17 depth gauge, operating instructions.

4 Technical data

4.1 Technical data

For rated voltage, rated current, frequency and/or input power, refer to the country-specific type identification plate.

If the tool is powered by a generator or transformer, the generator or transformer's power output must be at least twice the rated input power shown on the rating plate of the tool. The operating voltage of the transformer or generator must always be within +5 % and -15 % of the rated voltage of the tool.

	ST 1800
Weight	1.9 kg
Speed (running under no load)	0 /min ... 1,900 /min
Max. torque	22 Nm
Chuck	1/4" hex socket
Protection class	II

4.2 Noise information and vibration values determined in accordance with EN 60745

The sound pressure and vibration values given in these instructions have been measured in accordance with a standardized test and may be used to compare one electric tool with another. They may be used for a preliminary assessment of exposure. The data given represents the main applications of the electric tool. However, if the electric tool is used for different applications, with different accessory tools, or is poorly maintained, the data may vary. This may significantly increase exposure over the total working period. An accurate estimation of exposure should also take into account the times when the tool is switched off, or when it is running but not actually being used for a job. This may significantly reduce exposure over the total working period. Identify additional safety measures to protect the operator from the effects of noise and/or vibration, for example: maintenance of the electric tool and accessory tools, keeping the hands warm, organization of work patterns.

Noise information

Sound power level (L_{pA})	84 dB
Sound pressure level (L_{wA})	95 dB
Uncertainty	3 dB

Vibration information

Triaxial vibration value	2.5 m/s ²
Uncertainty (K)	1.5 m/s ²

5 Operation

Switching on	
Press the control switch slowly all the way.	
Activating continuous running mode	
Switching off steady-state operation	
Removing the protective sleeve	2
Setting the torque	6



Setting forward or reverse rotation	3
Changing the bit CAUTION Risk of injury. The accessory tool may be hot or have sharp edges. ▶ Wear protective gloves when using the power tool and when changing accessory tools.	
Fitting the depth gauge WARNING Electrical hazards There is a risk of electric shock if a screw is driven into a concealed electric cable and, at the same time, the bit holder or depth gauge is touched. ▶ Hold the screwdriver only by the grip when driving or removing screws.	
Removing the depth gauge CAUTION Risk of injury The depth gauge may hinder the operator if fitted but not used. ▶ Remove the depth gauge from the tool.	5
Setting the depth gauge (accessory) Removing screws	4

6 Disposal

Most of the materials from which **Hilti** tools and appliances are manufactured can be recycled. The materials must be correctly separated before they can be recycled. In many countries, your old tools, machines or appliances can be returned to **Hilti** for recycling. Ask **Hilti** Service or your Hilti representative for further information.



- ▶ Do not dispose of power tools, electronic equipment or batteries as household waste!

7 RoHS (Restriction of Hazardous Substances)

Click on the links to go to the table of hazardous substances: qr.hilti.com/r2991 (ST 1800)
 There is a link to the RoHS table, in the form of a QR code, at the end of this document.

8 Manufacturer's warranty

- ▶ Please contact your local **Hilti** representative if you have questions about the warranty conditions.

1.1 על אודות תיעוד זה

- קרא את תיעוד זה במלואו לפני השימוש הראשון. רק כך ניתן להבטיח עבודה בטוחה ונטולת תקלות.
- ציית להוראות הבטיחות והאזהרות שבתיעוד זה ולא להאמין המצוינות על המוצר.
- שמור את הוראות ההפעלה תמיד בצמוד למוצר, והקפד להעביר אותן לאדם שאליו אתה מעביר את המוצר.

1.2 הסבר הסימנים
1.2.1 אזהרות

האזהרות מזדהרות מפני סכנות בשימוש במוצר. במדריך זה מופיעות מילות המפתח הבאות:


סכנה
סכנה!

מציינת סכנה מיידית, המובילה לפציעות גוף קשות או למוות.


אזהרה
אזהרה!

מציינת סכנה אפשרית, שיכולה להוביל לפציעות גוף קשות או למוות.


זהירות
זהירות!

מציינת מצב שעלול להיות מסוכן ולהוביל לפציעות או לנזקים לרכוש.

1.2.2 סמלים במסמך זה

הסמלים הבאים מופיעים בתיעוד זה:

	קרא את הוראות ההפעלה לפני השימוש
	הנחיות לשימוש ומידע שימושי נוסף
	טיפול נכון בחומרים למיחזור
	אין להשליך לפסולת הביתית מכשירים חשמליים וסוללות

1.2.3 סמלים באיורים

הסמלים הבאים משמשים באיורים:

	מספרים אלה מפנים לאיור המתאים בתחילת חוברת ההוראות
	המספרים באיורים משקפים את רצף הפעולות, והם עשויים להיות שונים מרצף הפעולות המצוינות בטקסט
	מספרי הפריטים מופיעים באיור סקירה ותואמים את המספרים במקרא בפרק סקירת המוצר
	סימן זה אמור לעורר את תשומת לבך המיוחדת בעת השימוש במוצר.
	תעבורת נתונים אלחוטית

1.3 סמלים ספציפיים למוצר
1.3.1 סמלים

מסמך זה מכיל גם את הסמלים הבאים:

	הרכב משקפי מגן במהלך העבודה במכשיר.
--	-------------------------------------



לבש מגני שמיעה במהלך העבודה במכשיר.	
לבש כפפות הגנה במהלך העבודה על המכשיר.	

1.4 פרטי המוצר

המוצרים של **HILTI** מיועדים למשתמש המקצועי, ורק אנשים מורשים, שעברו הכשרה מתאימה, רשאים לתפעל, לתחזק ולתקן אותם. אנשים אלה חייבים ללמוד באופן מיוחד את הסכנות האפשריות. המוצר המתואר והעזרים שלו עלולים להיות מסוכנים כאשר אנשים שלא עברו הכשרה מתאימה משתמשים בהם באופן לא מקצועי או כאשר משתמשים בהם שלא בהתאם ליעוד. שם הדגם והמספר הסידורי מצוינים על לוחית הדגם.

רשום את המספר הסידורי בטבלה הבאה. בכל פנייה לנציגינו או למעבדת שירות יש לציין את נתוני המוצר.

מברגה לעבודות מתכת	ST 1800
דור	01
מס' סידורי	

1.5 הצהרת תאימות

אנו מצהירים באחריותנו הבלעדית כי המוצר המתואר כאן תואם את התקנות והתקנים התקפים. בסוף תיעוד זה ישנו צילום של הצהרת התאימות.

התיעוד הטכני שמור כאן:

Hilti Entwicklungsgesellschaft mbH | Zulassung Geräte | Hiltistraße 6 | 86916 Kaufering, DE

2 בטיחות

2.1 הוראות בטיחות כלליות לכלי עבודה חשמליים

⚠ אזהרה קרא את כל הוראות הבטיחות, ההנחיות, האיומים והנתונים הטכניים המצורפים לכלי העבודה החשמלי. אי ציות להנחיות עלול להוביל להתחשמלות, לשרפה ו/או לפציעות קשות.

שמור את כל הוראות הבטיחות וההנחיות לעין בעתיד.

המונח "כלי עבודה חשמלי" המשמש בהוראות הבטיחות מתייחס לכלי עבודה חשמליים המחוברים לרשת החשמל (עם כבל חשמל) או לכלי עבודה חשמליים המופעלים באמצעות סוללה נטענת (ללא כבל חשמל).

בטיחות במקום העבודה

- ▶ **שמור על אזור העבודה שלך נקי ודגא לתאורה מספקת.** חוסר סדר או תאורה לקויה במקום העבודה עלולים לגרום לתאונות.
- ▶ **אין להפעיל את כלי העבודה החשמלי בסביבה שקיימת בה סכנת פיצוץ או שיטת בה נדלים, גזים או אבק דליקים.** כלי עבודה חשמליים יוצרים ניצוצות, שעלולים להצית את האבק או האדים.
- ▶ **הרחק ילדים ואנשים אחרים מכלי העבודה החשמלי במהלך השימוש בו.** אם דעתך תוסח אתה עלול לאבד את השליטה במכשיר.

בטיחות בחשמל

- ▶ **תקע החשמל של כלי העבודה החשמלי חייב להתאים לשקע החשמל. אסור לנסות בשום אופן את תקע החשמל. אל תשתמש בשקע החשמל למטרות שלא לשמן הוא נועד, לדוגמה: אל תרים את כלי העבודה החשמליים הכוללים הגנת הארקה.** שימוש בתקעים חשמליים שלא עברו שינוי ושקעי חשמל מתאימים מפחית את הסיכון להתחשמלות.
- ▶ **מנע מגע של הגוף בשטחים מוארקים כגון צינורות, גופי חימום, תנורים ומקררים.** קיימת סכנה גבוהה להתחשמלות כאשר הגוף שלך מוארק.
- ▶ **הרחק כלי עבודה חשמליים מגשם או רטיבות.** חדירת מים לכלי העבודה החשמלי מגדילה את הסיכון להתחשמלות.
- ▶ **אל תשתמש בכלי החשמל למטרות שלא לשמן הוא נועד, לדוגמה: אל תרים את כלי העבודה החשמלי באמצעות הכבל ואל תנסה לנתק את התקע משקע החשמל במשיכה מהכבל.** הרחק את הכבל מחום, שמן, פיכות חדות או מחלקים נעים. כבלים שניזוקו או שהסתבכו בחלקים אחרים מגדילים את הסיכון להתחשמלות.
- ▶ **כאשר אתה עובד עם כלי העבודה החשמלי בחוץ, השתמש רק בכבל מאריך המיועד לשימוש חיצוני.** שימוש בכבל מאריך המתאים לשימוש חיצוני מפחית את הסיכון להתחשמלות.
- ▶ **אם לא ניתן להימנע משימוש בכלי העבודה החשמלי בסביבה לחה, השתמש במסר פחת.** השימוש במסר פחת מפחית את הסיכון להתחשמלות.

בטיחות של אנשים

- ▶ **היה ערני, שים לב למה שאתה עושה, ופעל בתבונה כאשר אתה עובד עם כלי עבודה חשמלי.** אל תפעיל כלי עבודה חשמליים כשאתה עייף או תחת השפעת סמים, אלכוהול או תרופות. די ברגע אחד של חוסר תשומת-לב בדמן השימוש בכלי העבודה החשמלי כדי לגרום לפציעות קשות.

- ◀ **לבש תמיד ציוד מגן ומשקפי מגן.** לבישת ציוד מגן אישי, כגון מסכת אבק, נעלי בטיחות מונעות החלקה, קסדת מגן או מגני שמיעה - בהתאם לסוג השימוש בכלי העבודה החשמלי - מקטינה את הסיכון לפציעות.
 - ◀ **מנע הפעלה בשוגג.** ודא שכלי העבודה החשמלי כבוי לפני שאתה מחבר אותו לאספקת החשמל ו/או לפני שאתה מחבר את הסוללה ולפני הרמתו. אל תניח את אצבעך על המתג בזמן שאתה נושא את המכשיר ואל תחבר אותו לאספקת החשמל כאשר הוא מופעל, אחרת עלולות להיגרם תאונות.
 - ◀ **הרחק כלי כוונון או מפתחות ברגים לפני שאתה מפעיל את כלי העבודה החשמלי.** כלי עבודה או מפתחות הנמצאים בקרבת חלקים מסתובבים עלולים לגרום פציעות.
 - ◀ **הימנע מתנוחות גוף לא נכונות.** עמוד באופן יציב ושומר תמיד על שיווי משקל. כך תוכל לשלוט טוב יותר בכלי העבודה החשמלי במצבים לא צפויים.
 - ◀ **לבש בגדים מתאימים.** אל תלבש בגדים רחבים או תכשיטים. הרחק את השער, הבגדים וכפפות מחלקים נעים. בגדים רופפים, תכשיטים ושיער ארוך עלולים להיתפס בחלקים נעים.
 - ◀ **כאשר ניתן להתקין התקני שאיבת אבק ולכידה יש לוודא שהם מחוברים לחשמל, ויש להקפיד להשתמש בהם בצורה נכונה.** שימוש בהתקן שאיבת אבק מקטין את הסכנות הנובעות מהאבק.
 - ◀ **אל היהיה שאנן בנושאי בטיחות ואל תתעלם מהוראות בטיחות של כלי עבודה חשמליים, גם אם שהשתמשת במכשיר פעמים רבות ואתה מכיר אותו היטב.** התנהגות רשלנית עלולה להוביל לפציעות קשות בתוך שניות.
- שימוש וטיפול בכלי העבודה החשמלי**
- ◀ **אל תפעיל עומס רב מדי על המכשיר.** השתמש בכלי העבודה החשמלי המתאים לעבודה שאתה מבצע. כלי העבודה החשמלי המתאים מבטיח לך עבודה טובה ובטוחה יותר בתחום ההספק הנקוב.
 - ◀ **אל תשתמש בכלי העבודה אם המתג שלו אינו תקין.** כלי עבודה חשמלי שלא ניתן עוד להפעיל או לכבות אותו מהווה סכנה ויש לתקנו.
 - ◀ **נקט את תקע החשמל מהשקע ו/או הסר את הסוללה לפני שאתה מבצע כוונונים במכשיר, מחליף כלים או לאחר שאתה מפסיק לעבוד עם המכשיר.** אמצעי זהירות זה מונע הפעלה בשוגג של כלי העבודה החשמלי.
 - ◀ **שמור כלי עבודה חשמליים שאינם בשימוש הרחק מהישג ידם של ילדים.** אל תאפשר לאנשים שאינם יודעים כיצד להשתמש במכשיר או שלא קראו את ההוראות להשתמש במכשיר. כלי עבודה חשמליים הם מסוכנים כאשר משתמשים בהם אנשים חסרי ניסיון.
 - ◀ **טפל בכלי עבודה חשמליים ובאביזרים בהקפדה.** בדוק אם החלקים הנעים פועלים בצורה חלקה ואינם נתקעים, אם ישנם חלקים שבורים או מקולקלים המשבשים את הפעולה התקינה של כלי העבודה החשמלי. לפני השימוש במכשיר דאג לתיקון חלקים לא תקינים. תיאונות רבות גרמו עקב תחזוקה לקויה של כלי עבודה חשמליים.
 - ◀ **שמור על כלי החיתוך חדים ונקיים.** כלי חיתוך מטופלים היטב, שלהביהם חדים נתקעים פחות וקלים יותר לתפעול.
 - ◀ **השתמש בכלי העבודה החשמלי, באביזרים, בכלי העבודה הנוספים וכן הלאה בהתאם להוראות אלה.** התחשב בתנאי העבודה ובפעולה שעליך לבצע. שימוש בכלי העבודה החשמלי למטרות אחרות מאלה שלשמן הוא מיועד עלול להיות מסוכן.
 - ◀ **שמור על ידידות ואזורי אחיזה נקיים מכלוך משומן ומגריד.** ידידות ואזורי אחיזה חלקים אינם מאפשרים תפעול בטוח ושליטה טובה בכלי העבודה החשמלי במצבים לא צפויים.

שירות

- ◀ **דאג לתיקון כלי העבודה החשמלי שלך רק בידי טכנאים מוסמכים, המשתמשים בחלקי חילוף מקוריים בלבד.** כך תבטיח שמירה על בטיחות העבודה במכשיר.

2.2 הוראות בטיחות נוספות למברגות

בטיחות של אנשים

- ◀ **השתמש במוצר רק בתנאי שהוא נמצא במצב טכני מושלם.**
- ◀ **אל תבצע בשום אופן מניפולציות או שינויים במכשיר.**
- ◀ **השתמש בידידות האחיזה הנוספות המצורפות למכשיר.** אובדן השליטה במכשיר עלול לגרום לפציעות.
- ◀ **אחוז את המכשיר היטב תמיד בשתי ידיים** בידידות האחיזה שלו. שמור על ידידות האחיזה נקיות ויבשות.
- ◀ **כאשר אתה מבצע עבודות שבהן כלי העבודה עלול לפגוע בקווי חשמלי מוסתרים אחוז במכשיר במקומות האחיזה המבודדים.** מעג בקווים המוליכים זרם עלול להעביר זרם גם לחלקים מתכתיים במכשיר שלך ולגרום להתחשמלות.
- ◀ **אין לגעת בחלקים מסתובבים - סכנת פציעה!**
- ◀ **במהלך השימוש במכשיר יש ללבוש משקפי מגן, קסדת מגן, מגני שמיעה וכפפות הגנה כמו גם מסכת נשימה קלה.**
- ◀ **לבש כפפות בטיחות גם בעת החלפת כלי.** מגע בכלי עלול לגרום לפציעות ולכוויות.
- ◀ **השתמש במגני עיניים.** שבבי חומר שניתנים עלולים לפצוע את הגוף והעיניים.
- ◀ **בדוק לפני תחילת העבודה את דירוג הסכנה של אבק החומר שבו תעבוד.** השתמש בשואב אבק מקצועי בעל דירוג הגנה מאושר, התואם את תקנות החוק הנוגעות להגנה מאבק. אבק של חומרים דוגמת צבעים המכילים עופרת, סוגי עץ מסוימים, בטון / קירות / אבנים המכילות קוורץ ומינרלים כגון מתכת עלולים להדיק לבריאות.
- ◀ **דאג לאוורור טוב במקום העבודה, ובמקרה הצורך לבש גם מסכת נשימה המתאימה לסוג האבק שבו אתה עובד.** נגיעה בסוגי אבק אלה או שאיפתם עלולה לגרום לתגובות אלרגיות ו/או למחלות בכלי הנשימה של המשתמש או לפני אנשים הנמצאים בקרבת מקום. סוגי אבק מסוימים, כגון אבק של אלון או בוק, נחשבים מסרטנים, במיוחד שבינו עם חומרים אחרים המשמשים לטיפול בעץ (כרוםט, חומר הגנה לעץ). רק מומחים רשאים לעבוד בחומרים המכילים אסבסט.

◀ ערוך הפסקות בעבודה ותרגילים לשיפור זרימת הדם לאצבעות. הרעידות מהמכשיר עשויות לאחר עבודה ממושכת לגרום להפרעות בכלי הדם או במערכת העצבים של האצבעות, כפות הידיים או שורשי כף היד.

בטיחות בחשמל

◀ לפני תחילת העבודה יש לבדוק אם ישנם כבלי חשמל, צינורות גז או מים נסתרים. חלקים מתכתיים חיצוניים במכשיר יכולים לגרום להתחשמלות כאשר הם נוגעים בשוגג בקווי חשמל.

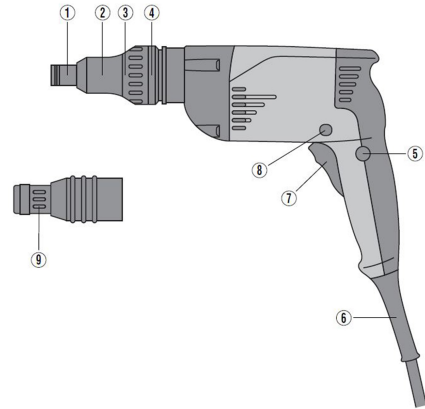
טיפול ושימוש קפדניים בכלי עבודה חשמליים

◀ אם הכלי נחסם יש לכבות מיד את המכשיר. המכשיר עשוי לסטות הצדה.
 ◀ המתן עד לעצירה מלאה של כלי העבודה החשמלי לפני שאתה מניח אותו.

3 תיאור

3.1 סקירת המוצר 1

- ① תפסנית
- ② שרזול הגנה
- ③ חיבור מעצור עומק - מכשיר
- ④ קביעת מומנט פיתול
- ⑤ קיבוע מתג ההפעלה
- ⑥ כבל חשמל
- ⑦ מתג הפעלה
- ⑧ מתג כיוון הסיבוב
- ⑨ כוונן מעצור עומק



3.2 שימוש בהתאם לייעוד

המוצר המתואר זה מברגה חשמלית ידנית, לעבודות מתכת, המיועדת להברגה של פחים גלויים, פחים שטוחים ולוחות שכבתיים בעבודות מתכת בבניין. המכשיר מיועד להחדרה ולשחרור של ברגים בחומרים המשמשים בבנייה יבשה. אפשר להשתמש כמכשיר עומד לצורך הברגה של ברגים ממחסנית.

3.3 שימושים מרכזיים / קביעת מומנט הפיתול

שימוש	סוג בורג	קוטר במ"מ	דרגת מומנט פיתול
פח לפח	S-MD	4.2	2-1
	S-MD	4.8	8-1
	S-MS	4.8	8-1
פח לפרופיל פלדה	S-MD 51 + S-MD 21	5.5	13-8
	S-MD 53 + S-MD 23	5.5	11-6
	S-MP 52	6.3	12-4

שימוש	סוג בורג	קוטר במ"מ	דרגת מומנט פיתול
פח לקורת פלדה	S-MD 55 + S-MD 21	5.5	7-2
	S-MP 53	6.5	14-8
פח לעץ	S-MP 53	6.5	18-14
	S-FD 03	6.3	12-6
לוחות פיבר צמנט לפרופיל פלדה	S-FD 05	6.3	15-12
לוחות פיבר צמנט לקורות פלדה	S-FD 01	6.5	18-12
לוחות שכבתיים לפרופיל פלדה	S-CD 63	5.5	7-2
לוחות שכבתיים לקורת פלדה	S-CD 65	5.5	9-2
לוחות שכבתיים לעץ	S-CDW 61	6.5	8-5

3.4 מפרט אספקה

מברגה לעבודות מתכת, מעצור עומק ST-DG 17, הוראות הפעלה.

4 נתונים טכניים

4.1 נתונים טכניים

את המתח הנקוב, הזרם הנקוב, התדירות ו/או ההספק הנקוב תמצא בלוחית הדגם הספציפית למדינתך.



בעת הפעלה באמצעות גנרטור או שבאי הספק המוצא שלהם חייב להיות לפחות כפול מההספק הנקוב המצוין על לוחית הדגם של המכשיר. מתח העבודה של השבאי או הגנרטור חייב להימצא תמיד בטווח שבין +5% לבין -15% ביחס למתח הנקוב של המכשיר.

ST 1800	
משקל	1.9 ק"ג
סל"ד (סרק)	0 סל"ד ... 1,900 סל"ד
מומנט פיתול מקס'	22 ניוטון-מ'
תפסנית	1/4" משושה
דירוג הגנה	II

4.2 ערכי הרעשים והרעידות נמדדו בהתאם לתקנה EN 60745

ערכי לחץ הקול והרעידות המצוינים בהוראות אלה נמדדו בהתאם להליך המדידה התקני, וניתן להשתמש בהם לצורך השוואה בין כלי עבודה חשמליים. הם מתאימים גם להערכה זמנית של העומסים. הנתונים המצוינים תקפים לשימושים העיקריים בכלי העבודה החשמלי. אולם אם משתמשים בכלי העבודה החשמלי לשימושים אחרים, בשילוב אביזרים אחרים או אם המכשיר אינו עובר תחזוקה מספקת הנתונים עשויים להשתנות. בעקבות זאת העומסים למשך זמן העבודה כולו עשויים להיות גבוהים באופן משמעותי. לצורך הערכה מדויקת של העומסים יש לקחת בחשבון גם את הזמנים שבהם המכשיר כבוי או שבהם הוא אמנם פועל אך אינו בשימוש בפועל. בעקבות זאת פריסת העומסים למשך זמן העבודה כולו עשויה להיות נמוכה באופן משמעותי. יש לקבוע הנחיות בטיחות נוספות להגנה על המשתמש מפני ההשפעות של קול ו/או רעידות, כגון: תחזוקה של כלי העבודה החשמלי ושל כלי העבודה המחזברים, שמירה על ידיים חמות, ארגון תהליכי העבודה.

מידע על רעשים

רמת הספק קול (L_{pA})	84 dB
רמת לחץ קול (L_{wA})	95 dB
אי ודאות	3 dB

מידע על רעידות

ערך רעידות בשלושה צירים	2.5 מ' / שני ²
אי ודאות (K)	1.5 מ' / שני ²



	<p>הפעלה</p> <p>לחץ על מתג ההפעלה לאט עד הסוף. </p>
	<p>הפעלת הפעולה הרציפה</p>
	<p>ביטול הפעולה הרציפה</p>
2	<p>הסרת שרזול ההגנה</p>
6	<p>כוונון מומנט פיתול</p>
3	<p>קביעת כיוון סיבוב ימינה/שמאלה</p>
	<p>החלפת כלי</p> <p>זהירות </p> <p>סכנת פציעה. הכלי עשוי להיות חם מאוד או חד. ◀ לבש כפפות מגן כשאתה משתמש במכשיר ובעת החלפת כלי.</p>
	<p>התקנת מעצור עומק</p> <p>אזהרה </p> <p>סכנה ממתח חשמלי סכנת התחשמלות אם בעת הברגת ברגים אתה פוגע בקווי חשמל מוסתרים ובה בעת אתה נוגע במחזיק הביטים או במעצור העומק. ◀ החזק את המברגה רק מידידת האחיזה בזמן החדרה ושחרור של ברגים.</p>
5	<p>הסרת מעצור העומק</p> <p>זהירות </p> <p>סכנת פציעה מעצור עומק מחובר אך שאינו בשימוש עשוי להפריע למשתמש. ◀ הסר את מעצור העומק מהמכשיר.</p>
4	<p>כוונון מעצור העומק (אבירד)</p>
	<p>שחרור של בורג מוברג</p>

6 סילוק

המוצרים של Hilti מיוצרים בחלקם מגדול מחומרים ניתנים למיחזור. כדי שניתן יהיה למחזרם דרושה הפרדת חומרים מקצועית. במדינות רבות Hilti תקבל את המכשיר הישן שלך בחזרה לצורך מיחזור. פנה לשירות של Hilti או למשווק.

◀ אין להשליך כלי עבודה חשמליים, כלים אלקטרוניים וסוללות לפסולת הביתית!


7 RoHS (תקנה להגבלת השימוש בחומרים מסוכנים)

בקישורים הבאים תמצא את טבלת החומרים המסוכנים: (ST 1800) (qr.hilti.com/r2991)
 קישור לטבלת RoHS תמצא בסוף תיעוד זה, בצורת קוד QR.

8 אחריות יצרן

◀ אם יש לך שאלות בנושא תנאי האחריות, פנה למשווק Hilti הקרוב אליך.





Hilti Aktiengesellschaft
Feldkircherstraße 100
9494 Schaan | Liechtenstein

ST 1800 (01)

[2003]

2006/42/EG

EN ISO 12100

2014/30/EU

EN 62841-1

2011/65/EU

EN 62841-2-2

Schaan, 08/2017

A handwritten signature in black ink, appearing to read "Paolo Luccini".

Paolo Luccini

Head of Quality and
Process-Management
BA Electric Tools & Accessories

A handwritten signature in black ink, appearing to read "Tassilo Deinzer".

Tassilo Deinzer

Executive Vice President
BU Electric Tools & Accessories



ST 1800



Hilti Corporation
LI-9494 Schaan
Tel.: +423 234 21 11
Fax: +423 234 29 65
www.hilti.group



2164701



Hilti Connect



378502