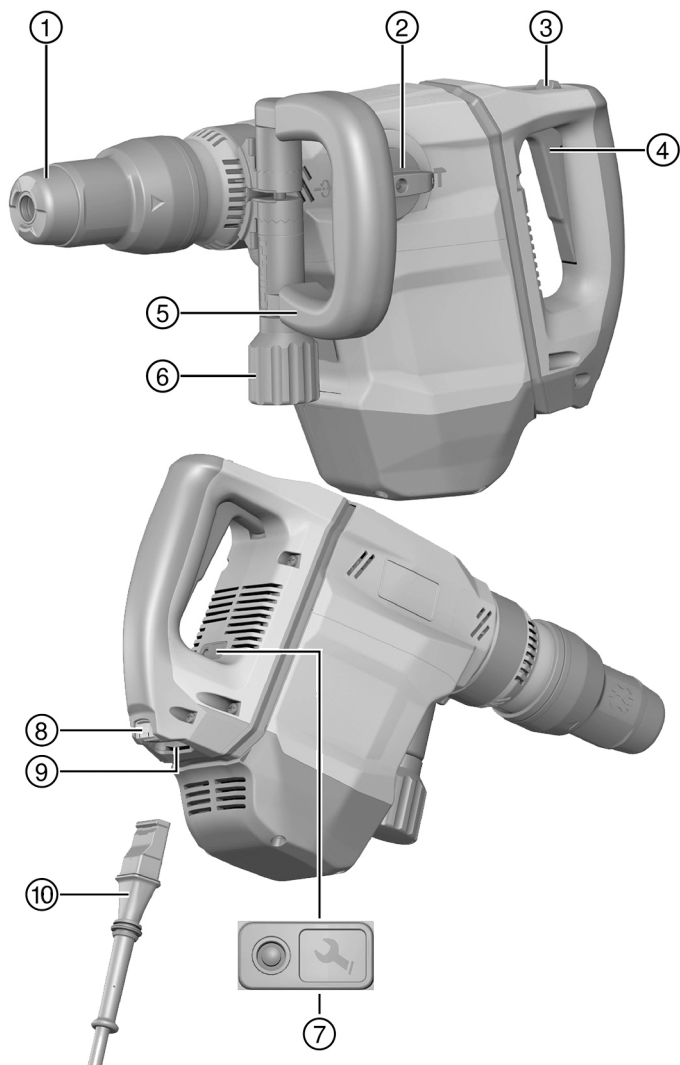


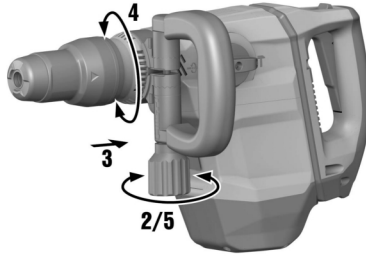


TE 500-AVR

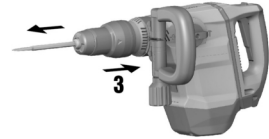
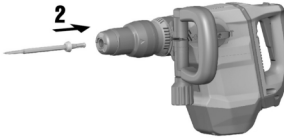
English	1
Français	10
Česky	19
Slovenčina	28
Magyar	37
Русский	47
Українська	57
Қазақ	68
Türkçe	78
عربي	87



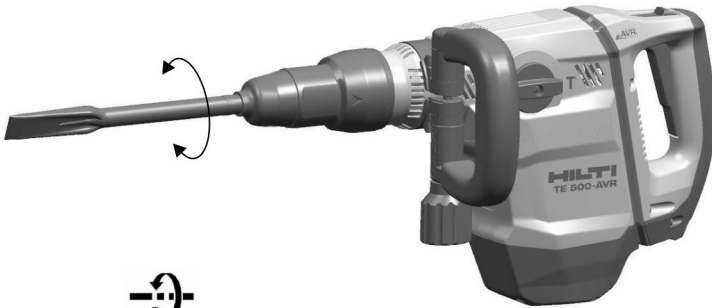
2



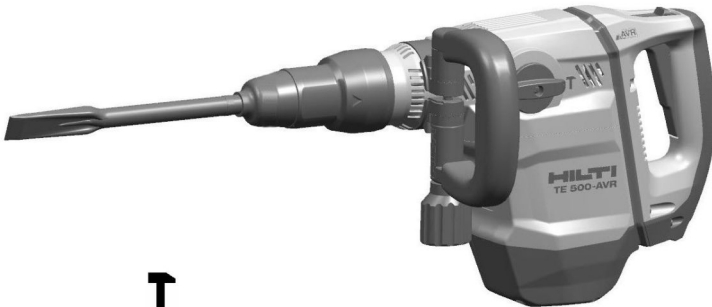
3



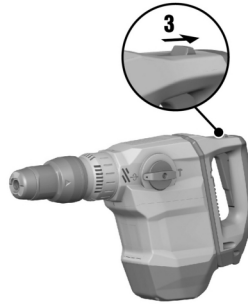
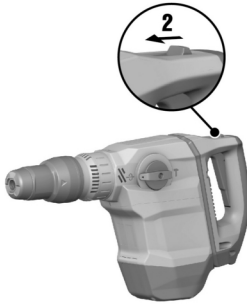
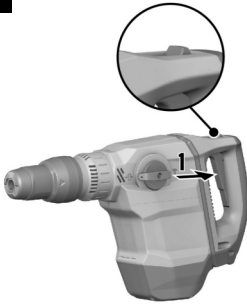
4



5



6



# TE 500-AVR

en	Original operating instructions . . . . .	1
fr	Mode d'emploi original . . . . .	10
cs	Originální návod k obsluze . . . . .	19
sk	Originálny návod na obsluhu . . . . .	28
hu	Eredeti használati utasítás . . . . .	37
ru	Перевод оригинального руководства по эксплуатации . . . . .	47
uk	Оригінальна інструкція з експлуатації . . . . .	57
kk	Түпнұсқа пайдалану бойынша нұсқаулық . . . . .	68
tr	Orijinal kullanım kılavuzu . . . . .	78
ar	دليل الاستعمال الأصلي . . . . .	87



# Original operating instructions

## 1 Information about the operating instructions

### 1.1 About these operating instructions

- Read these operating instructions before the product is used or operated for the first time. This is a prerequisite for safe, trouble-free handling and use of the product.
- Observe the safety instructions and warnings in these operating instructions and on the product.
- Always keep the operating instructions with the product and make sure that the product is accompanied by these operating instructions only, when the product is given to other persons.

### 1.2 Explanation of symbols

#### 1.2.1 Warnings

Warnings alert persons to hazards that occur when handling or using the product. The following signal words are used:

#### **DANGER**

##### **DANGER !**

- ▶ Draws attention to imminent danger that will lead to serious personal injury or fatality.

#### **WARNING**

##### **WARNING !**

- ▶ Draws attention to a potential threat of danger that can lead to serious injury or fatality.





#### **CAUTION**

##### **CAUTION !**

- ▶ Draws attention to a potentially dangerous situation that could lead to personal injury or damage to the equipment or other property.




#### 1.2.2 Symbols in the operating instructions

The following symbols are used in these operating instructions:

	Comply with the operating instructions
	Instructions for use and other useful information
	Dealing with recyclable materials
	Do not dispose of electric equipment and batteries as household waste

#### 1.2.3 Symbols in illustrations

The following symbols are used in illustrations:

	These numbers refer to the illustrations at the beginning of these operating instructions.
3	The numbers in illustrations refer to important work steps or to components important for the work steps. In the text, the corresponding numbers draw attention to these work steps or components, e.g. <b>(3)</b> .
	Item reference numbers are used in the <b>overview illustration</b> and refer to the numbers used in the key in the <b>product overview</b> section.
	This symbol is intended to draw your special attention to certain points for handling the product.



### 1.3 Explanation of signs used

#### 1.3.1 Symbols on the product

The following symbols are used on the product:

	Chiseling
	Chisel positioning
	Protection class II (double-insulated)
$n_0$	Rated speed under no load
	Wear protective gloves

### 1.4 Product information

products are designed for professional users and only trained, authorized personnel are permitted to operate, service and maintain the products. This personnel must be specifically informed about the possible hazards. The product and its ancillary equipment can present hazards if used incorrectly by untrained personnel or if used not in accordance with the intended use.

The type designation and serial number are printed on the rating plate.

- ▶ Write down the serial number in the table below. You will be required to state the product details when contacting Hilti Service or your local Hilti organization to inquire about the product.

#### Product information

Breaker	TE 500-AVR
Generation	03
Serial no.	

### 1.5 Declaration of conformity

We declare, on our sole responsibility, that the product described here complies with the applicable directives and standards. A copy of the declaration of conformity can be found at the end of this documentation.

The technical documentation is filed here:

Hilti Entwicklungsgesellschaft mbH | Tool Certification | Hiltistrasse 6 | 86916 Kaufering, Germany

## 2 Safety

### 2.1 General power tool safety warnings

**⚠ WARNING** Read all safety warnings, instructions, illustrations and specifications provided with this power tool. Failure to follow all instructions listed below may result in electric shock, fire and/or serious injury. **Save all warnings and instructions for future reference.**

The term "power tool" in the warnings refers to your mains-operated (corded) power tool or battery-operated (cordless) power tool.

#### Work area safety

- ▶ **Keep work area clean and well lit.** Cluttered or dark areas invite accidents.
- ▶ **Do not operate power tools in explosive atmospheres, such as in the presence of flammable liquids, gases or dust.** Power tools create sparks which may ignite the dust or fumes.
- ▶ **Keep children and bystanders away while operating a power tool.** Distractions can cause you to lose control.

#### Electrical safety

- ▶ **Power tool plugs must match the outlet. Never modify the plug in any way. Do not use any adapter plugs with earthed (grounded) power tools.** Unmodified plugs and matching outlets will reduce risk of electric shock.
- ▶ **Avoid body contact with earthed or grounded surfaces, such as pipes, radiators, ranges and refrigerators.** There is an increased risk of electric shock if your body is earthed or grounded.
- ▶ **Do not expose power tools to rain or wet conditions.** Water entering a power tool will increase the risk of electric shock.





- ▶ **Do not abuse the cord. Never use the cord for carrying, pulling or unplugging the power tool. Keep cord away from heat, oil, sharp edges or moving parts.** Damaged or entangled cords increase the risk of electric shock.
- ▶ **When operating a power tool outdoors, use an extension cord suitable for outdoor use.** Use of a cord suitable for outdoor use reduces the risk of electric shock.
- ▶ **If operating a power tool in a damp location is unavoidable, use a residual current device (RCD) protected supply.** Use of an RCD reduces the risk of electric shock.

#### Personal safety

- ▶ **Stay alert, watch what you are doing and use common sense when operating a power tool. Do not use a power tool while you are tired or under the influence of drugs, alcohol or medication.** A moment of inattention while operating power tools may result in serious personal injury.
- ▶ **Use personal protective equipment. Always wear eye protection.** Protective equipment such as a dust mask, non-skid safety shoes, hard hat or hearing protection used for appropriate conditions will reduce personal injuries.
- ▶ **Prevent unintentional starting. Ensure the switch is in the off-position before connecting to power source and/or battery pack, picking up or carrying the tool.** Carrying power tools with your finger on the switch or energising power tools that have the switch on invites accidents.
- ▶ **Remove any adjusting key or wrench before turning the power tool on.** A wrench or a key left attached to a rotating part of the power tool may result in personal injury.
- ▶ **Do not overreach. Keep proper footing and balance at all times.** This enables better control of the power tool in unexpected situations.
- ▶ **Dress properly. Do not wear loose clothing or jewellery. Keep your hair and clothing away from moving parts.** Loose clothes, jewellery or long hair can be caught in moving parts.
- ▶ **If devices are provided for the connection of dust extraction and collection facilities, ensure these are connected and properly used.** Use of dust collection can reduce dust-related hazards.
- ▶ **Do not let familiarity gained from frequent use of tools allow you to become complacent and ignore tool safety principles.** A careless action can cause severe injury within a fraction of a second.

#### Power tool use and care

- ▶ **Do not force the power tool. Use the correct power tool for your application.** The correct power tool will do the job better and safer at the rate for which it was designed.
- ▶ **Do not use the power tool if the switch does not turn it on and off.** Any power tool that cannot be controlled with the switch is dangerous and must be repaired.
- ▶ **Disconnect the plug from the power source and/or remove the battery pack, if detachable, from the power tool before making any adjustments, changing accessories, or storing power tools.** Such preventive safety measures reduce the risk of starting the power tool accidentally.
- ▶ **Store idle power tools out of the reach of children and do not allow persons unfamiliar with the power tool or these instructions to operate the power tool.** Power tools are dangerous in the hands of untrained users.
- ▶ **Maintain power tools and accessories. Check for misalignment or binding of moving parts, breakage of parts and any other condition that may affect the power tool's operation. If damaged, have the power tool repaired before use.** Many accidents are caused by poorly maintained power tools.
- ▶ **Keep cutting tools sharp and clean.** Properly maintained cutting tools with sharp cutting edges are less likely to bind and are easier to control.
- ▶ **Use the power tool, accessories and tool bits etc. in accordance with these instructions, taking into account the working conditions and the work to be performed.** Use of the power tool for operations different from those intended could result in a hazardous situation.
- ▶ **Keep handles and grasping surfaces dry, clean and free from oil and grease.** Slippery handles and grasping surfaces do not allow for safe handling and control of the tool in unexpected situations.

#### Service

- ▶ **Have your power tool serviced by a qualified repair person using only identical replacement parts.** This will ensure that the safety of the power tool is maintained.

## 2.2 Hammer safety warnings

### Safety instructions for all operations

- ▶ **Wear ear protectors.** Exposure to noise can cause hearing loss.
- ▶ **Use auxiliary handle(s), if supplied with the tool.** Loss of control can cause personal injury.
- ▶ **Hold the power tool by insulated gripping surfaces, when performing an operation where the cutting accessory may contact hidden wiring or its own cord.** Cutting accessory contacting a "live"



wire may make exposed metal parts of the power tool "live" and could give the operator an electric shock.

## 2.3 Additional safety instructions

### Personal safety

- ▶ Use the tool only when it is in technically faultless condition.
- ▶ Never tamper with or modify the tool in any way.
- ▶ Apply appropriate safety measures at the opposite side of the workpiece in work that involves breaking through. Parts breaking away could fall out and / or fall down causing injury to other persons.
- ▶ Always hold the power tool with both hands on the grips provided. Keep the grips clean and dry.
- ▶ Always grip the side handle at its outermost end.
- ▶ Wear suitable protective glasses, a hard hat, ear protection, protective gloves and light respiratory protection while using the tool.
- ▶ Wear protective gloves also when changing the accessory tool. Touching the accessory tool presents a risk of injury (cuts or burns).
- ▶ Wear eye protection. Flying fragments present a risk of injury to the body and eyes.
- ▶ Before beginning the work, check the hazard classification of the dust that will be produced. Use an industrial vacuum cleaner with an officially approved protection classification in compliance with locally applicable dust protection regulations.
- ▶ Use a dust removal system and suitable vacuum cleaner whenever possible. Dust from materials, such as paint containing lead, some wood species, concrete/masonry/stone containing silica, and minerals as well as metal, may be harmful.
- ▶ Make sure that the workplace is well ventilated and, where necessary, wear a respirator appropriate for the type of dust generated. Contact with or inhalation of the dust may cause allergic reactions and/or respiratory or other diseases to the operator or bystanders. Certain kinds of dust are classified as carcinogenic such as oak and beech dust, especially in conjunction with additives for wood conditioning (chromate, wood preservative). Material containing asbestos may be handled only by specialists.
- ▶ Take breaks between working and do physical exercises to improve the blood circulation in your fingers. Exposure to vibration during long periods of work can lead to disorders of the blood vessels and nervous system in the fingers, hands and wrists.

### Electrical safety

- ▶ Before beginning work, check the working area for concealed electric cables or gas and water pipes. External metal parts of the power tool may become live, presenting a risk of electric shock, if you damage an electric cable accidentally.

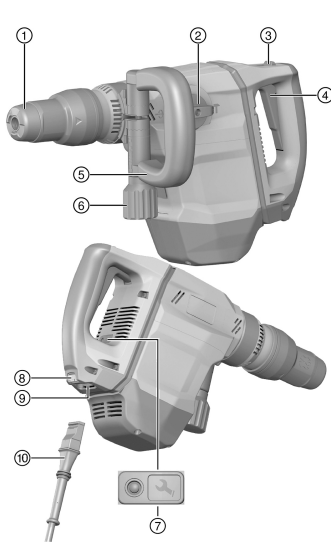
### Careful handling and use of power tools

- ▶ Switch the power tool off if the accessory tool sticks and stalls. The power tool may be deflected laterally.
- ▶ Wait until the power tool stops completely before you lay it down.



### 3 Description

#### 3.1 Overview of the product



- ① Chuck
- ② Function selector switch
- ③ Control switch
- ④ Control switch lock
- ⑤ Side handle
- ⑥ Knob
- ⑦ Service indicator
- ⑧ Lockbutton
- ⑨ Connector on electric tool
- ⑩ Supply cord with keyed, releasable plug connector

#### 3.2 Intended use

The product described is an electrically powered breaker. It is designed for medium-duty chiseling work on masonry and concrete.

- ▶ Operation is permissible only when connected to a power source providing a voltage and frequency in compliance with the information given on the type identification plate.

#### 3.3 Active Vibration Reduction (AVR)

The breaker is equipped with an Active Vibration Reduction (AVR) system, which greatly reduces vibration.

#### 3.4 Possible misuse

- This product is not suitable for working on hazardous materials.
- This product is not suitable for working in a damp environment.
- This product may not be connected to a power source providing a voltage and frequency not in compliance with the information given on the type identification plate.


#### 3.5 Service indicator

The breaker is equipped with a service indicator LED.

Status	Meaning
The service indicator lights.	End of service interval – servicing is due.
The service indicator blinks.	The product is faulty. Have the product repaired by <b>Hilti Service</b> .

#### 3.6 Items supplied

Breaker, side handle, operating instructions.

 Other system products approved for use with this product can be found at your local **Hilti Store** or at: [www.hilti.group](http://www.hilti.group)



## 4 Technical data

### 4.1 Breaker

For details of the rated voltage, frequency, current and input power, please refer to the power tool's country-specific type identification plate.

When powered by a generator or transformer, the generator or transformer's power output must be at least twice the rated input power shown on the rating plate of the power tool. The operating voltage of the transformer or generator must always be within +5% and -15% of the rated voltage of the power tool.

	<b>TE 500-AVR</b>
<b>Weight in accordance with EPTA procedure 01</b>	6.3 kg

### 4.2 Noise information and vibration values in accordance with EN 62841

The sound pressure and vibration values given in these instructions were measured in accordance with a standardized test and can be used to compare one power tool with another. They can also be used for a preliminary assessment of exposure.

The data given represent the main applications of the power tool. However, if the power tool is used for different applications, with different accessory tools, or is poorly maintained, the data can vary. This can significantly increase exposure over the total working period.

An accurate estimation of exposure should also take into account the times when the power tool is switched off, or when it is running but not actually being used for a job. This can significantly reduce exposure over the total working period.

Identify additional safety measures to protect the operator from the effects of noise and/or vibration, for example: maintaining the power tool and accessory tools, keeping the hands warm, organization of work patterns.

#### Noise information

<b>Sound power level (<math>L_{WA}</math>)</b>	104 dB(A)
<b>Sound pressure level (<math>L_{pA}</math>)</b>	93 dB(A)
<b>Uncertainty (noise values) (<math>K_{pA}</math> and <math>K_{WA}</math>)</b>	3 dB(A)

#### Total vibration

<b>Chiseling (<math>a_{h,Ches}</math>)</b>	8.2 m/s <sup>2</sup>
<b>Uncertainty (total vibration)</b>	1.5 m/s <sup>2</sup>

## 5 Operation

### 5.1 Preparations at the workplace

#### CAUTION

**Risk of injury!** Inadvertent starting of the product.

- ▶ Unplug the supply cord before making adjustments to the power tool or before changing accessories.

Observe the safety instructions and warnings in this documentation and on the product.

#### 5.1.1 Fitting the side handle

#### CAUTION

**Risk of injury!** Loss of control over the breaker.

- ▶ Check that the side handle is fitted correctly and tightened securely.

1. Slide the side handle clamping band over the chuck from the front and into the recess provided.
2. Bring the side handle into the desired position.
3. Secure the side handle by turning the knob until the clamping band is tight.



### 5.1.2 Connecting the detachable supply cord

#### CAUTION

**Risk of injury!** Due to leakage current as a result of dirty contacts.

- ▶ Connect the detachable electric connector to the electric tool only when it is clean and dry and when the supply cord is unplugged from the power outlet.
- 
1. Push the keyed, detachable electric plug connector into the socket as far as it will go, until it is heard to engage.
  2. Plug the supply cord into the power outlet.

### 5.1.3 Fitting / removing the accessory tool

#### WARNING

**Risk of injury!** The tool becomes hot as a result of use.

- ▶ Wear protective gloves when changing the tool.
- 
1. Apply a little grease to the connection end of the accessory tool.
  2. Push the accessory tool into the chuck as far as it will go (until it engages).
    - ▶ The product is ready for use.
  3. Pull the chuck back as far as it will go and remove the accessory tool.



Use only the recommended grease supplied by **Hilti**. Use of unsuitable grease may cause damage to the product.

### 5.1.4 Positioning the chisel

#### CAUTION

**Risk of injury!** Loss of control over the chisel direction.

- ▶ Do not operate the tool when the selector switch is set to “Chisel positioning”. Turn the function selector switch until it engages in the “Chiseling” position.
- 



The chisel can be adjusted to 24 different positions (in 15° increments). This ensures that flat chisels and shaped chisels can always be set to the optimum working position.

1. Set the function selector switch to the position.
2. Rotate the chisel to the desired position.
3. Engage the function selector switch in the **T** position.
  - ▶ The tool is ready for use.

### 5.1.5 Disconnecting the detachable supply cord

1. Unplug the supply cord from the power outlet.
2. Press the release button and pull the keyed, detachable electric plug connector out of the socket.
3. Pull the supply cord connector out of the power tool.

## 5.2 Types of work

#### WARNING

**Risk of electric shock!** Severe injury and burns can result if any attempt is made to operate the tool without an earth/ground conductor and ground fault circuit interrupter correctly connected.

- ▶ Irrespective of whether mains power or generator power is used, always make sure that an earth/ground conductor and ground fault circuit interrupter are present in the power supply and that these are correctly connected.
  - ▶ Do not use the product unless these safety measures are in place and fully operational.
- 



 **WARNING**

**A damaged supply cord presents a hazard!** Do not touch the supply cord or extension cord if damaged while working. Disconnect the supply cord plug from the power outlet.

- ▶ Check the appliance's supply cord at regular intervals and have it replaced by a qualified specialist if found to be damaged.

---

Full approval must be obtained from the site engineer or architect prior to beginning the work.

### 5.2.1 Chiseling

- ▶ Set the function selector switch to the **T** position.

### 5.2.2 Switching sustained operation on and off

 When chiseling, the on/off switch can be locked in the “on” position.

1. Push the lockbutton for continuous operation forward.
2. Press the on/off switch as far as it will go.
  - ▶ The product then runs in sustained operating mode.
3. Push the lockbutton for continuous operation back.
  - ▶ The product switches off.

## 6 Care and maintenance

 **WARNING**

**Electric shock hazard!** Attempting care and maintenance with the supply cord connected to a power outlet can lead to severe injury and burns.

- ▶ Always unplug the supply cord before carrying out care and maintenance tasks.

### Care


- Carefully remove stubborn dirt from the tool.
- Clean the air vents carefully with a dry brush.
- Use only a slightly damp cloth to clean the casing. Do not use cleaning agents containing silicone as they can attack the plastic parts.

### Maintenance

 **WARNING**

**Danger of electric shock!** Improper repairs to electrical components may lead to serious injuries including burns.

- ▶ Repairs to the electrical section of the tool or appliance may be carried out only by trained electrical specialists.
- 
- Check all visible parts and controls for signs of damage at regular intervals and make sure that they all function correctly.
  - Do not operate the product if signs of damage are found or if parts malfunction. Have it repaired immediately by **Hilti Service**.
  - After cleaning and maintenance, fit all guards or protective devices and check that they function correctly.

 To help ensure safe and reliable operation, use only genuine Hilti spare parts and consumables. Spare parts, consumables and accessories approved by Hilti for use with the product can be found at your local **Hilti Store** or online at: [www.hilti.group](http://www.hilti.group).

## 7 Transport and storage

### Transport

- ▶ Do not transport this product with an accessory tool installed.
- ▶ Make sure that the equipment is held securely throughout all transport operations.
- ▶ After transporting, always check all visible parts and controls for signs of damage and make sure that they all function correctly.



## Storage

- ▶ Always store this product with the electric supply cable unplugged from the electricity supply.
- ▶ Store this product in a dry place, where it cannot be accessed by children or unauthorized persons.
- ▶ After a long period of storage, always check all visible parts and controls for signs of damage and make sure that they all function correctly.

## 8 Troubleshooting

If the trouble you are experiencing is not listed in this table or you are unable to remedy the problem by yourself, please contact **Hilti Service**.

### 8.1 Troubleshooting

Trouble or fault	Possible cause	Action to be taken
The breaker doesn't start.	Interruption in the electric supply.	▶ Plug in another electric tool or appliance and check whether it works.
	The electronic restart interlock is activated after an interruption in the electric supply.	▶ Switch the power tool off and then on again.
	The generator is in sleep mode.	▶ Apply a load to the generator by connecting a second power consumer (e.g. worklight). Switch the tool off and then on again.
	A fault has occurred in the tool.	▶ Have the product repaired by <b>Hilti Service</b> .
	The carbon brushes are worn.	▶ Have checked by a trained electrical specialist and replaced if necessary.
No hammering action.	The power tool is too cold.	▶ Bring the tip of the accessory tool into contact with the working surface, switch the power tool on and allow it to run. If necessary, repeat the procedure until the hammering mechanism begins to operate.
The breaker doesn't achieve full power.	The extension cord is too long or its gauge is inadequate.	▶ Use an extension cord of an approved length and / or of adequate gauge.
	The control switch is not fully pressed.	▶ Press the control switch as far as it will go.
The chisel cannot be released from the chuck.	The chuck is not pulled back fully.	▶ Pull the chuck back as far as it will go and remove the insert tool.
The service indicator blinks.	A fault has occurred in the tool.	▶ Have the product repaired by <b>Hilti Service</b> .
The service indicator lights.	The carbon brushes are worn.	▶ Have checked by a trained electrical specialist and replaced if necessary.
	The tool is faulty or servicing is due.	▶ Have the product repaired only by <b>Hilti Service</b> .

## 9 Disposal

Most of the materials from which **Hilti** tools and appliances are manufactured can be recycled. The materials must be correctly separated before they can be recycled. In many countries, your old tools, machines or appliances can be returned to **Hilti** for recycling. Ask **Hilti Service** or your Hilti representative for further information.





► Do not dispose of power tools, electronic equipment or batteries as household waste!

## 10 RoHS (Restriction of Hazardous Substances)

The following links take you to the table of dangerous substances: [qr.hilti.com/rxxx](http://qr.hilti.com/rxxx).  
You will find a link to the RoHS table, in the form of a QR code, at the end of this document.

## 11 Manufacturer's warranty

► Please contact your local **Hilti** representative if you have questions about the warranty conditions.

# Mode d'emploi original

## 1 Indications relatives au mode d'emploi

### 1.1 À propos de ce mode d'emploi

- Avant de mettre l'appareil en marche, lire impérativement ce mode d'emploi. C'est la condition préalablement requise pour assurer la sécurité du travail et un maniement sans perturbations.
- Bien respecter les consignes de sécurité et les avertissements du présent mode d'emploi ainsi que celles figurant sur le produit.
- Toujours conserver le mode d'emploi à proximité du produit et uniquement transmettre le produit à des tiers accompagné de ce mode d'emploi.

### 1.2 Explication des symboles

#### 1.2.1 Avertissements

Les avertissements attirent l'attention sur des dangers liés à l'utilisation du produit. Les termes de signalisation suivants sont utilisés :

 **DANGER**

**DANGER !**

► Pour un danger imminent qui peut entraîner de graves blessures corporelles ou la mort.

 **AVERTISSEMENT**

**AVERTISSEMENT !**

► Pour un danger potentiel qui peut entraîner de graves blessures corporelles ou la mort.

 **ATTENTION**

**ATTENTION !**

► Pour une situation potentiellement dangereuse pouvant entraîner des blessures corporelles ou des dégâts matériels.

#### 1.2.2 Symboles dans le manuel d'utilisation

Les symboles suivants sont utilisés dans le présent manuel d'utilisation :



Respecter le manuel d'utilisation



Pour des conseils d'utilisation et autres informations utiles



Maniement des matériaux recyclables



Ne pas jeter les appareils électriques et les accus dans les ordures ménagères





### 1.2.3 Symboles dans les illustrations

Les symboles suivants sont utilisés dans les illustrations :

	Ces chiffres renvoient à l'illustration correspondante au début du présent manuel d'utilisation.
3	La numérotation dans les illustrations indique les étapes de travail importantes ou les composants importants pour les étapes de travail. Dans le texte, ces étapes de travail ou composants sont mis en évidence avec les numéros correspondants, par ex. (3).
	Les numéros de position sont utilisés dans l'illustration <b>Vue d'ensemble</b> et renvoient aux numéros des légendes dans la section <b>Vue d'ensemble du produit</b> .
	Ce signe doit inviter à manier le produit en faisant particulièrement attention.

## 1.3 Explication des symboles

### 1.3.1 Symboles sur le produit

Les symboles suivants sont utilisés sur le produit :

	Burinage
	Positionnement du burin
	Classe de protection II (double isolation)
$n_0$	Vitesse nominale à vide
	Porter des gants de protection

## 1.4 Informations produit

Les produits sont destinés aux professionnels et ne doivent être utilisés, entretenus et réparés que par un personnel autorisé et formé. Ce personnel doit être spécialement instruit quant aux dangers inhérents à l'utilisation de l'appareil. Le produit et ses accessoires peuvent s'avérer dangereux s'ils sont utilisés de manière incorrecte par un personnel non qualifié ou de manière non conforme à l'usage prévu.

La désignation du modèle et le numéro de série figurent sur sa plaque signalétique.

- ▶ Inscrivez le numéro de série dans le tableau suivant. Les informations produit vous seront demandées lorsque vous contactez nos revendeurs ou services après-vente.

#### Caractéristiques produit

Burineur	TE 500-AVR
Génération	03
N° de série	

## 1.5 Déclaration de conformité

Nous déclarons sous notre seule et unique responsabilité que le produit décrit ici est conforme aux directives et normes en vigueur. Une copie de la Déclaration de conformité se trouve en fin de la présente documentation.

Pour obtenir les documentations techniques, s'adresser à :

Hilti Entwicklungsgesellschaft mbH | Zulassung Geräte | Hiltistraße 6 | 86916 Kaufering, DE

## 2 Sécurité

### 2.1 Indications générales de sécurité pour les appareils électriques

**AVERTISSEMENT Lire toutes les consignes de sécurité et instructions, illustrations et caractéristiques techniques, qui accompagnent cet outil électroportatif.** Tout manquement à l'observation des instructions suivantes risque de provoquer une électrocution, un incendie et/ou de graves blessures.

**Les consignes de sécurité et instructions doivent être intégralement conservées pour les utilisations futures.**



La notion d'« outil électroportatif » mentionnée dans les consignes de sécurité se rapporte à des outils électriques raccordés au secteur (avec câble d'alimentation) et à des outils électriques sur accu (sans câble d'alimentation).

### Sécurité sur le lieu de travail

- ▶ **Conserv**er la zone de travail propre et bien éclairée. Un lieu de travail en désordre ou mal éclairé augmente le risque d'accidents.
- ▶ **Ne pas faire fonctionner les outils électriques en atmosphère explosive et où se trouvent des liquides, des gaz ou poussières inflammables.** Les outils électriques produisent des étincelles qui peuvent enflammer les poussières ou les fumées.
- ▶ **Maintenir les enfants et les personnes présentes à l'écart pendant l'utilisation de l'outil électroportatif.** En cas d'inattention il y a risque de perdre le contrôle de l'appareil.

### Sécurité relative au système électrique

- ▶ **La fiche de secteur de l'outil électroportatif doit être adaptée à la prise de courant. Ne jamais modifier la fiche de quelque façon que ce soit. Ne pas utiliser d'adaptateurs avec des outils électriques à branchement de terre.** Des fiches non modifiées et des prises de courant adaptées réduiront le risque de choc électrique.
- ▶ **Éviter le contact physique avec des surfaces mises à la terre tels que tuyaux, radiateurs, cuisinières et réfrigérateurs.** Il y a un risque élevé de choc électrique au cas où votre corps serait relié à la terre.
- ▶ **Ne pas exposer les outils électroportatifs à la pluie ou à l'humidité.** La pénétration d'eau à l'intérieur d'un outil électroportatif augmentera le risque d'un choc électrique.
- ▶ **N**e jamais utiliser le câble de raccordement à d'autres fins que celles prévues, telles que pour porter, accrocher ou débrancher l'outil électroportatif de la prise de courant. Maintenir le câble de raccordement à l'écart de la chaleur, des parties grasses, des bords tranchants ou des parties en mouvement. Des câbles de raccordement endommagés ou emmêlés augmentent le risque de choc électrique.
- ▶ **Si l'outil électroportatif est utilisé à l'extérieur, utiliser uniquement des câbles de rallonge homologués pour les applications extérieures.** L'utilisation d'un câble de rallonge homologué pour les applications extérieures réduit le risque d'un choc électrique.
- ▶ **Si l'utilisation de l'outil électrique dans un environnement humide ne peut pas être évitée, utiliser un interrupteur de protection contre les courants de court-circuit.** L'utilisation d'un tel interrupteur de protection réduit le risque d'une décharge électrique.

### Sécurité des personnes

- ▶ **Rester vigilant, surveiller ce que l'on fait. Faire preuve de bon sens en utilisant l'outil électroportatif. Ne pas utiliser l'outil électroportatif en étant fatigué ou sous l'emprise de l'alcool, de drogues ou de médicaments.** Un moment d'inattention lors de l'utilisation de l'outil électroportatif peut entraîner des blessures graves.
- ▶ **Utiliser un équipement de protection personnel et toujours porter une protection pour les yeux.** Les équipements de protection personnels tels que masque antipoussière, chaussures de sécurité antidérapantes, casque de protection ou protection acoustique suivant l'utilisation de l'outil électroportatif, réduiront le risque de blessures des personnes.
- ▶ **Éviter une mise en service par mégarde. S'assurer que l'outil électroportatif est arrêté avant de le brancher à la source de courant et/ou à l'accu, de le prendre ou de le porter.** Le fait de porter l'outil électroportatif avec le doigt sur l'interrupteur ou de brancher l'appareil sur la source de courant lorsque l'interrupteur est en position de fonctionnement peut entraîner des accidents.
- ▶ **Retirer tout outil de réglage ou toute clé avant de mettre l'outil électroportatif en fonctionnement.** Une clé ou un outil se trouvant sur une partie en rotation peut causer des blessures.
- ▶ **Adopter une bonne posture. Veiller à toujours garder une position stable et équilibrée.** Cela permet un meilleur contrôle de l'outil électroportatif dans des situations inattendues.
- ▶ **S'habiller de manière adaptée. Ne pas porter de vêtements amples ni de bijoux. Garder les cheveux, les vêtements et les gants à distance des parties en mouvement.** Des vêtements amples, des bijoux ou des cheveux longs peuvent être happés par des parties en mouvement.
- ▶ **Si des dispositifs servant à aspirer ou à recueillir les poussières doivent être utilisés, s'assurer qu'ils sont effectivement raccordés et correctement utilisés.** L'utilisation d'un dispositif d'aspiration de la poussière peut réduire les risques dus aux poussières.
- ▶ **Ne pas sous-estimer les mesures de sécurité à prendre et ne pas ignorer sciemment les règles de sécurité applicables aux outils électriques, même si l'on est utilisateur chevronné après de fréquentes utilisations de l'outil électroportatif.** Un manque d'attention peut conduire à de graves blessures en quelques fractions de seconde.



## Utilisation et maniement de l'outil électroportatif

- ▶ **Ne pas forcer l'appareil. Utiliser l'outil électroportatif adapté au travail à effectuer.** Un outil électroportatif approprié réalisera mieux le travail et de manière plus sûre au régime pour lequel il a été conçu.
- ▶ **Ne pas utiliser d'outil électroportatif dont l'interrupteur est défectueux.** Tout outil électroportatif qui ne peut plus être mis en ou hors fonctionnement est dangereux et doit être réparé.
- ▶ **Débrancher la fiche de la prise de courant et/ou l'accu amovible avant d'effectuer des réglages sur l'appareil, de changer les accessoires, ou de ranger l'appareil.** Cette mesure de précaution empêche une mise en fonctionnement par mégarde de l'outil électroportatif.
- ▶ **Conserver les outils électroportatifs non utilisés hors de portée des enfants. Ne permettre l'utilisation de l'appareil à aucune personne qui ne soit pas familiarisée avec celui-ci ou qui n'a pas lu ces instructions.** Les outils électroportatifs sont dangereux lorsqu'ils sont entre les mains de personnes non initiées.
- ▶ **Prendre soin des outils électroportatifs et des accessoires. Vérifier que les parties en mouvement fonctionnent correctement et qu'elles ne sont pas coincées, et contrôler si des parties sont cassées ou endommagées de sorte que le bon fonctionnement de l'outil électroportatif s'en trouve entravé. Faire réparer les parties endommagées avant d'utiliser l'appareil.** De nombreux accidents sont dus à des outils électroportatifs mal entretenus.
- ▶ **Garder les outils de coupe affûtés et propres.** Des outils destinés à couper correctement entretenus avec des arêtes de coupe tranchantes sont moins susceptibles de bloquer et sont plus faciles à contrôler.
- ▶ **L'outil électroportatif, les accessoires, les outils amovibles, etc. doivent être utilisés conformément à ces instructions. Tenir également compte des conditions de travail et du travail à réaliser.** L'utilisation des outils électroportatifs à d'autres fins que celles prévues peut entraîner des situations dangereuses.
- ▶ **Veiller à ce que les poignées et surfaces de préhension soient toujours être sèches, propres et exemptes de traces de graisse ou d'huile.** Avec des poignées et surfaces de préhension glissantes, la sécurité et le contrôle de l'outil électroportatif ne peuvent être assurés dans des situations inopinées.

### Service

- ▶ **L'outil électroportatif doit uniquement être réparé par un personnel qualifié, utilisant exclusivement des pièces de rechange d'origine.** Ceci permet d'assurer la sécurité de l'outil électroportatif.

## 2.2 Indications générales de sécurité applicables aux burineurs

### Consignes de sécurité pour tous les travaux

- ▶ **Porter un casque antibruit.** Le bruit peut entraîner des pertes auditives.
- ▶ **Utiliser la poignée supplémentaire livrée avec l'appareil.** La perte de contrôle peut entraîner des blessures.
- ▶ **Tenir l'appareil par les surfaces isolées des poignées lors des travaux pendant lesquels l'accessoire risque de toucher des câbles électriques cachés ou son propre câble d'alimentation réseau.** Le contact avec un câble sous tension risque de mettre les parties métalliques de l'appareil sous tension et de provoquer une décharge électrique.

## 2.3 Consignes de sécurité supplémentaires

### Sécurité des personnes

- ▶ Utiliser l'appareil uniquement s'il est en parfait état.
- ▶ Ne jamais entreprendre de manipulation ou de modification sur l'appareil.
- ▶ Lors de travaux d'ajourage, protéger l'espace du côté opposé aux travaux. Des morceaux de matériaux risquent d'être éjectés et / ou de tomber, et de blesser d'autres personnes.
- ▶ Toujours tenir l'appareil des deux mains par les poignées prévues à cet effet. Tenir les poignées toujours sèches et propres.
- ▶ Toujours saisir la poignée latérale de l'extérieur.
- ▶ Lors de l'utilisation de l'appareil, porter des lunettes de protection adéquates, un casque de protection, un casque antibruit, des gants de protection et un masque respiratoire léger.
- ▶ Porter aussi des gants de protection pour changer d'outil. Risque de blessures par coupure et de brûlures au contact avec l'outil amovible.
- ▶ Porter des lunettes de protection. Les éclats de matière peuvent entraîner des blessures corporelles et aux yeux.
- ▶ Avant le début du travail, prendre connaissance de la classe de risque de la poussière générée lors des travaux. Utiliser un aspirateur avec une classification de sécurité autorisée officiellement et conforme aux dispositions locales concernant les poussières.



- ▶ Dans la mesure du possible, utiliser un dispositif d'aspiration des poussières ainsi qu'un dépoussiéreur mobile adéquat. Les poussières de matériaux telles que des peintures contenant du plomb, certains types de bois, du béton / de la maçonnerie / des pierres naturelles qui contiennent du quartz ainsi que des minéraux et des métaux peuvent être nuisibles à la santé.
- ▶ Veiller à ce que le poste de travail soit bien ventilé et porter, le cas échéant, un masque de protection respiratoire adapté au type de poussières. Le contact ou l'aspiration de poussière peut provoquer des réactions allergiques et/ou des maladies respiratoires de l'utilisateur ou de toute personne se trouvant à proximité. Certaines poussières, telles que des poussières de chêne ou de hêtre, sont réputées être cancérigènes, en particulier lorsqu'elles sont combinées à des additifs destinés au traitement du bois (chromate, produit de protection du bois). Les matériaux contenant de l'amiante doivent seulement être manipulés par un personnel spécialisé.
- ▶ Faire régulièrement des pauses et des exercices pour favoriser l'irrigation sanguine dans les doigts. En cas de travaux prolongés, les vibrations peuvent perturber la circulation dans les vaisseaux sanguins ou le système nerveux dans les doigts, les mains ou le poignet.

### Sécurité relative au système électrique

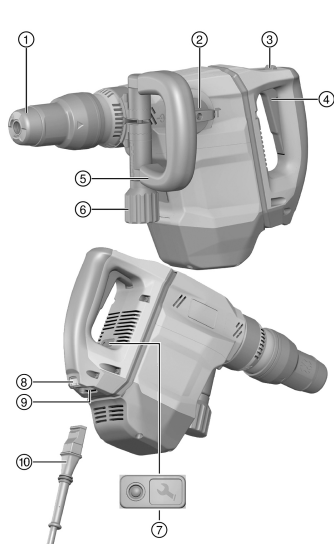
- ▶ Avant d'entamer le travail, vérifier qu'il n'y a pas de câbles ou gaines électriques, tuyaux de gaz ou d'eau cachés dans la zone d'intervention. Toutes pièces métalliques extérieures de l'appareil sont susceptibles de provoquer une décharge électrique si un câble électrique est endommagé par inadvertance.

### Utilisation et emploi soigneux de l'outil électroportatif

- ▶ Arrêter immédiatement l'outil électroportatif si l'outil se bloque. L'appareil peut dévier latéralement.
- ▶ Attendre jusqu'à ce que l'outil électroportatif soit arrêté avant de le déposer.

## 3 Description

### 3.1 Vue d'ensemble du produit



- ① Mandrin
- ② Sélecteur de fonction
- ③ Variateur électronique de vitesse
- ④ Dispositif de blocage de variateur électronique de vitesse
- ⑤ Poignée latérale
- ⑥ Pommeau
- ⑦ Indicateur de maintenance
- ⑧ Touche d'arrêt
- ⑨ Branchement à l'appareil électrique
- ⑩ Câble d'alimentation avec connecteur codé débranchable

### 3.2 Utilisation conforme à l'usage prévu

Le produit décrit est un burineur électrique. Il est destiné aux travaux de burinage moyens dans la maçonnerie et le béton.

- ▶ L'appareil ne doit fonctionner qu'avec la tension réseau et la fréquence réseau indiquées sur la plaque signalétique.

### 3.3 Active Vibration Reduction (AVR)

Le burineur est équipé d'un système Active Vibration Reduction (AVR) qui réduit efficacement les vibrations.



### 3.4 Mauvaise utilisation possible

- Ce produit ne convient pas pour travailler des matériaux dangereux pour la santé.
- Ce produit n'est pas conçu pour travailler dans un environnement humide.
- Ce produit doit exclusivement être utilisé avec la tension réseau et la fréquence indiquées sur la plaque signalétique.

### 3.5 Indicateur de maintenance

Le burineur est doté d'un indicateur de maintenance avec signal lumineux.

État	Signification
L'indicateur de maintenance s'allume.	La durée de fonctionnement pour une maintenance est atteinte.
L'indicateur de maintenance clignote.	Produit endommagé. Faire réparer le produit par le S.A.V. Hilti.

### 3.6 Éléments livrés

Burineur, poignée latérale, mode d'emploi.



D'autres produits système pour votre produit peuvent être trouvés dans votre **Hilti Store** ou à l'adresse : [www.hilti.group](http://www.hilti.group)

## 4 Caractéristiques techniques

### 4.1 Burineur



Les données de tension nominale, courant nominal, fréquence et consommation nominale figurent sur la plaque signalétique spécifique au pays.

En cas d'utilisation avec un groupe électrogène ou un transformateur, leur puissance d'alimentation doit être au moins égale au double de la puissance indiquée sur la plaque signalétique de l'appareil. La tension de service du groupe électrogène ou du transformateur doit être toujours comprise entre +5 % et -15 % par rapport à la tension nominale de l'appareil.

	<b>TE 500-AVR</b>
<b>Poids selon la procédure EPTA 01</b>	6,3 kg

### 4.2 Valeurs de bruit et de vibrations selon EN 62841

Les valeurs de pression acoustique et de vibrations mentionnées dans ces instructions ont été mesurées conformément à un procédé de mesure normalisé et peuvent être utilisées comme base de comparaison d'outils électroportatifs. Elles sont de plus adaptées à une évaluation préalable de l'exposition aux bruits et aux vibrations.

Les indications fournies correspondent aux principales applications de l'outil électroportatif. Ces données peuvent néanmoins différer si l'outil électroportatif est utilisé pour d'autres applications ou avec des outils coupants différents, ou bien si l'entretien s'avère insuffisant. Dans ce cas, les expositions peuvent augmenter nettement dans tout l'espace de travail.

Pour une évaluation précise des expositions, il convient également de prendre en compte les temps durant lesquels l'outil électroportatif est arrêté ou marche à vide. Cela peut réduire considérablement les contraintes d'exposition dans tout l'espace de travail.

Par ailleurs, il convient de prendre des mesures de sécurité supplémentaires en vue de protéger l'opérateur des effets du bruit ou des vibrations, par exemple : entretien de l'outil électroportatif et des outils de coupe, maintien des mains à bonne température, organisation des processus de travail.

#### Valeur d'émissions sonores

<b>Niveau de puissance acoustique (<math>L_{WA}</math>)</b>	104 dB(A)
<b>Niveau de puissance acoustique (<math>L_{pA}</math>)</b>	93 dB(A)
<b>Incertitude (niveaux sonores) (<math>K_{pA}</math> et <math>K_{WA}</math>)</b>	3 dB(A)



**Valeurs totales des vibrations**

<b>Burinage (<math>a_{h, \text{Cheq}}</math>)</b>	8,2 m/s <sup>2</sup>
<b>Incertitude (valeurs totales des vibrations)</b>	1,5 m/s <sup>2</sup>

**5 Utilisation****5.1 Préparatifs****⚠ ATTENTION**

**Risque de blessures !** Mise en marche inopinée du produit.

- ▶ Retirer la fiche de la prise avant d'effectuer des réglages sur l'appareil ou de changer les accessoires.

Bien respecter les consignes de sécurité et les avertissements de la présente documentation ainsi que celles figurant sur le produit.

**5.1.1 Montage de la poignée latérale 2****⚠ ATTENTION**

**Risque de blessures** Perte de contrôle du burineur.

- ▶ S'assurer que la poignée latérale est bien montée et correctement serrée.

1. Pousser le dispositif de serrage (collier de serrage) et la poignée latérale vers l'avant sur le porte-outil jusqu'à la rainure prévue à cet effet.
2. Placer la poignée latérale dans la position souhaitée.
3. Tourner le pommeau afin de serrer le dispositif de serrage (collier de serrage) de la poignée latérale .

**5.1.2 Branchement du câble d'alimentation****⚠ ATTENTION**

**Risque de blessures** du fait des courants de fuite si les contacts sont encrassés.

- ▶ Le connecteur électrique débranchable doit uniquement être raccordé à l'appareil électrique, s'il est propre, sec et hors tension.
1. Introduire l'embout de câble à connexion rapide codé jusqu'en butée dans l'appareil, jusqu'à ce que le dispositif de blocage s'encliquette avec un clic audible.
  2. Brancher la fiche dans la prise.

**5.1.3 Mise en place/Retrait de l'outil amovible 3****⚠ AVERTISSEMENT**

**Risque de blessures** Après utilisation, l'outil peut être très chaud.

- ▶ Porter des gants de protection pour changer d'outil.

1. Graisser légèrement l'emmanchement de l'outil amovible.
2. Emmancher l'outil amovible à fond dans le porte-outil jusqu'à ce qu'il s'encliquette.
  - ▶ Le produit est prêt à fonctionner.
3. Retirer le dispositif de verrouillage de l'outil jusqu'à la butée et sortir l'outil amovible.



Utiliser exclusivement de la graisse d'origine **Hilti** d'origine. L'utilisation d'une graisse non appropriée peut engendrer des dommages sur le produit.

**5.1.4 Positionnement du burin 4****⚠ ATTENTION**

**Risque de blessures** Perte de contrôle du sens de burinage.

- ▶ Ne pas travailler avec le sélecteur sur la position "Positionnement du burin". Tourner le sélecteur de fonction sur la position "Burinage", jusqu'à ce qu'il s'encliquette.



**i** Le burin peut être positionné dans 24 positions différentes (tous les 15°). Ainsi, que ce soit pour le burinage plat ou profilé, il est toujours possible de travailler dans la position optimale.

1. Régler le sélecteur de fonction sur cette position →.
2. Tourner le burin dans la position souhaitée.
3. Régler le sélecteur de fonction sur cette position **T**, jusqu'à ce qu'il s'encliquette.
  - ▶ L'appareil est prêt à fonctionner.

### 5.1.5 Débranchement du câble d'alimentation enfichable de l'appareil

1. Débrancher la fiche de la prise.
2. Appuyer sur la touche d'arrêt et retirer l'embout de câble à connexion rapide codé.
3. Tirer le câble d'alimentation hors de l'appareil.

## 5.2 Travail

### AVERTISSEMENT

**Risque d'électrocution !** L'absence de fil de terre et disjoncteur différentiel peut entraîner de graves blessures ou brûlures.

- ▶ Toujours vérifier sur le chantier que le câble d'alimentation électrique, provenant du secteur ou d'un générateur, est bien muni d'un fil de terre et d'un disjoncteur différentiel, et qu'il est effectivement bien raccordé.
- ▶ Ne pas utiliser ce produit si ces mesures de sécurité n'ont pas été prises.

### AVERTISSEMENT

**Danger engendré par un câble endommagé !** Si le câble d'alimentation réseau ou de rallonge est endommagé pendant le travail, ne pas le toucher. Débrancher la prise.

- ▶ Contrôler régulièrement les câbles de raccordement de l'appareil et les faire remplacer par un spécialiste s'ils sont endommagés.

Faire confirmer l'ensemble des travaux par le maître d'œuvre !

### 5.2.1 Burinage

- ▶ Régler le sélecteur de fonction sur cette position **T**.

### 5.2.2 Activation / Désactivation de la marche continue

**i** En mode burinage, l'interrupteur Marche / Arrêt peut être bloqué sur Marche.

1. Pousser le bouton de blocage pour marche continue vers l'avant.
2. Enfoncer complètement l'interrupteur Marche / Arrêt.
  - ▶ Le produit fonctionne en continu.
3. Pousser le bouton de blocage pour marche continue vers l'arrière.
  - ▶ Le produit s'arrête.

## 6 Nettoyage et entretien

### AVERTISSEMENT

**Danger d'électrocution !** Les travaux de nettoyage et d'entretien effectués avec fiche branchée à la prise peuvent entraîner de graves blessures ou brûlures.

- ▶ Toujours retirer la fiche de la prise avant tous travaux de nettoyage et d'entretien !

### Nettoyage

- Éliminer prudemment les saletés récalcitrantes.
- Nettoyer les ouïes d'aération avec précaution au moyen d'une brosse sèche.
- Nettoyer le boîtier uniquement avec un chiffon légèrement humidifié. Ne pas utiliser de nettoyants à base de silicone, ceci pourrait attaquer les pièces en plastique.



## Entretien

### AVERTISSEMENT

**Risque d'électrocution !** Des réparations inappropriées sur des composants électriques peuvent entraîner de graves blessures corporelles et brûlures.

- ▶ Toute réparation des pièces électriques ne doit être effectuée que par un électricien qualifié.
- Vérifier régulièrement qu'aucune pièce visible n'est endommagée et que les organes de commande sont parfaitement opérationnels.
- En cas d'endommagements et/ou de dysfonctionnements, ne pas utiliser le produit. Le faire immédiatement réparer par le S.A.V. **Hilti**.
- Après des travaux de nettoyage et d'entretien, vérifier si tous les équipements de protection sont bien en place et fonctionnent parfaitement.



Pour une utilisation en toute sécurité, utiliser uniquement des pièces de rechange et consommables d'origine. Vous trouverez les pièces de rechange, consommables et accessoires autorisés convenant pour votre produit dans le centre **Hilti Store** ou sous : [www.hilti.group](http://www.hilti.group).

## 7 Transport et entreposage

### Transport

- ▶ Ne jamais transporter ce produit avec outil monté.
- ▶ Veiller à le tenir fermement pendant le transport.
- ▶ Vérifier après chaque transport qu'aucune pièce visible n'est endommagée et que les organes de commande sont parfaitement opérationnels.

### Stockage

- ▶ Toujours stocker l'appareil avec la fiche secteur débranchée.
- ▶ Stocker cet appareil à l'état sec hors de portée des enfants et des personnes non autorisées.
- ▶ Vérifier après un stockage prolongé qu'aucune pièce visible n'est endommagée et que les organes de commande sont parfaitement opérationnels.

## 8 Aide au dépannage

En cas de défaillances non énumérées dans ce tableau ou auxquelles il n'est pas possible de remédier sans aide, contacter le S.A.V. **Hilti**.

### 8.1 Aide au dépannage

Défaillance	Causes possibles	Solution
Le burineur ne démarre pas.	L'alimentation réseau est coupée.	▶ Brancher un autre appareil électrique et vérifier s'il fonctionne.
	Le dispositif de verrouillage anti-démarrage électronique après une coupure d'alimentation électrique est activé.	▶ Arrêter puis remettre en marche l'appareil.
	Générateur en mode Veille.	▶ Charger le générateur avec un second consommateur (p. ex. lampe de chantier). Ensuite, arrêter puis remettre en marche l'appareil.
	Dommages sur l'appareil.	▶ Faire réparer le produit par le S.A.V. <b>Hilti</b> .
	Balais usés.	▶ Faire vérifier par un électricien et, si nécessaire, remplacer.
Absence de percussion.	L'appareil est trop froid.	▶ Poser le burineur sur le support et le laisser tourner à vide. Répéter si nécessaire jusqu'à ce que le mécanisme de frappe fonctionne.





Défaillance	Causes possibles	Solution
Le burineur n'atteint pas la pleine puissance.	Câble de rallonge trop long et / ou de section insuffisante.	► Utiliser des câbles de rallonge de longueur admissible et / ou de section suffisante.
	Le variateur électronique de vitesse n'est pas complètement enfoncé.	► Enfoncer le variateur électronique de vitesse jusqu'à la butée.
Le burin ne sort pas du dispositif de verrouillage.	Le mandrin n'est pas complètement ouvert.	► Retirer le dispositif de verrouillage de l'outil jusqu'à la butée et sortir l'outil.
L'indicateur de maintenance clignote.	Dommmages sur l'appareil.	► Faire réparer le produit par le S.A.V. <b>Hilti</b> .
L'indicateur de maintenance s'allume.	Balais usés.	► Faire vérifier par un électricien et, si nécessaire, remplacer.
	Appareil endommagé ou l'échéance du prochain entretien est atteinte.	► Faire réparer le produit exclusivement par le S.A.V. <b>Hilti</b> .

## 9 Recyclage

Les appareils **Hilti** sont fabriqués pour une grande partie en matériaux recyclables. Le recyclage présuppose un tri adéquat des matériaux. **Hilti** reprend les appareils usagés dans de nombreux pays en vue de leur recyclage. Consulter le service clients **Hilti** ou un conseiller commercial.



- Ne pas jeter les appareils électriques, électroniques et accus dans les ordures ménagères !

## 10 RoHS (directive relative à la limitation d'utilisation des substances dangereuses)

Vous trouverez sous les liens ci-dessous le tableau des substances dangereuses : [qr.hilti.com/rxxx](http://qr.hilti.com/rxxx).

Vous trouverez à la fin de la présente documentation un lien vers le tableau RoHS sous forme de code QR.

## 11 Garantie constructeur

- En cas de questions sur les conditions de garantie, veuillez vous adresser à votre partenaire **Hilti** local.

# Originální návod k obsluze

## 1 Údaje k návodu k obsluze

### 1.1 K tomuto návodu k obsluze

- Před uvedením do provozu si přečtěte tento návod k obsluze. Je to předpoklad pro bezpečnou práci a bezproblémové zacházení.
- Dodržujte bezpečnostní pokyny a varovná upozornění v tomto návodu k obsluze a na výrobku.
- Návod k obsluze mějte uložený vždy u výrobku a dalším osobám předávejte výrobek jen s tímto návodem k obsluze.

### 1.2 Vysvětlení značek

#### 1.2.1 Varovná upozornění

Varovná upozornění varují před nebezpečím při zacházení s výrobkem. Byla použita následující signální slova:



**NEBEZPEČÍ**

**NEBEZPEČÍ !**

- Používá se k upozornění na bezprostřední nebezpečí, které by mohlo vést k těžkému poranění nebo k smrti.



## VÝSTRAHA

### VÝSTRAHA !

- Používá se k upozornění na potenciální nebezpečí, které může vést k těžkým poraněním nebo k smrti.

## POZOR

### POZOR !

- Používá se k upozornění na potenciálně nebezpečnou situaci, která by mohla vést k poraněním nebo k věcným škodám.

### 1.2.2 Symboly v návodu k obsluze

V tomto návodu k obsluze jsou použité následující symboly:

	Řiďte se návodem k obsluze
	Pokyny k používání a ostatní užitečné informace
	Zacházení s recyklovatelnými materiály
	Elektrická zařízení a akumulátory nevyhazujte do směsného odpadu

### 1.2.3 Symboly na obrázcích

Na obrázcích jsou použity následující symboly:

	Tato čísla odkazují na příslušný obrázek na začátku tohoto návodu k obsluze.
	Číslování na obrázcích odkazují na důležité pracovní kroky nebo pro pracovní kroky důležité součástí. V textu jsou tyto pracovní kroky nebo součásti zvýrazněny příslušnými čísly, např. <b>(3)</b> .
	Čísla pozic jsou uvedena na obrázku <b>Přehled</b> a odkazují na čísla z legendy v části <b>Přehled výrobku</b> .
	Tato značka znamená, že byste měli manipulaci s výrobkem věnovat zvláštní pozornost.

## 1.3 Vysvětlení značek

### 1.3.1 Symboly na výrobku

Na výrobku byly použity následující symboly:

	Sekání
	Polohování sekáče
	Třída ochrany II (dvojitá izolace)
$n_0$	Jmenovité volnoběžné otáčky
	Používejte ochranné rukavice.

## 1.4 Informace o výrobku

Výrobky jsou určeny pro profesionální uživatele a smí je obsluhovat, ošetřovat a provádět jejich údržbu pouze autorizovaný a instruovaný personál. Tento personál musí být speciálně informován o vyskytujících se nebezpečích, s nimiž by se mohl setkat. Výrobek a jeho pomůcky mohou být nebezpečné, pokud s nimi nesprávně zachází nevyškolený personál nebo pokud se nepoužívají v souladu s určeným účelem.

Typové označení a sériové číslo jsou uvedeny na typovém štítku.



- Poznamenejte si sériové číslo do následující tabulky. Údaje výrobku budete potřebovat při dotazech adresovaných našemu zastoupení nebo servisu.

#### Údaje o výrobku

Sekací kladivo	TE 500-AVR
Generace	03
Sériové číslo	

### 1.5 Prohlášení o shodě

Prohlašujeme na výhradní zodpovědnost, že zde popsaný výrobek je ve shodě s platnými směrniciemi a normami. Kopii prohlášení o shodě najdete na konci této dokumentace.

Technické dokumentace jsou uloženy zde:

Hilti Entwicklungsgesellschaft mbH | Zulassung Geräte | Hiltistraße 6 | 86916 Kaufering, DE

## 2 Bezpečnost

### 2.1 Všeobecné bezpečnostní pokyny pro elektrické nářadí

**⚠ VAROVÁNÍ** Přečtěte si všechny bezpečnostní pokyny, instrukce, vyobrazení a technické údaje, které patří k tomuto elektrickému nářadí. Nedbalost při dodržování následujících instrukcí může mít za následek úraz elektrickým proudem, požár a/nebo těžká poranění.

**Všechny bezpečnostní pokyny a instrukce uschovejte pro budoucí potřebu.**

Pojem „elektrické nářadí“, používaný v bezpečnostních pokynech, se vztahuje na elektrické nářadí napájené ze sítě (se síťovým kabelem) nebo na elektrické nářadí napájené z akumulátoru (bez síťového kabelu).

#### Bezpečnost pracoviště

- **Pracoviště musí být čisté a dobře osvětlené.** Nepořádek nebo neosvětlená místa mohou vést k úrazům.
- **S elektrickým nářadím nepracujte v prostředí s nebezpečím výbuchu, kde se nacházejí hořlavé kapaliny, plyny nebo prach.** Elektrické nářadí jiskří; od těchto jisker se mohou prach nebo páry vznítit.
- **Při práci s elektrickým nářadím zabraňte přístupu dětem a jiným osobám na pracoviště.** Rozptylování pozornosti by mohlo způsobit ztrátu kontroly nad nářadím.

#### Elektrická bezpečnost

- **Síťová zástrčka elektrického nářadí musí odpovídat zásuvce. Zástrčka nesmí být žádným způsobem upravována. U elektrického nářadí s ochranným uzemněním nepoužívejte žádné adaptéry.** Neupravené zástrčky a odpovídající zásuvky snižují riziko úrazu elektrickým proudem.
- **Nedotýkejte se uzemněných povrchů, např. trubek, topení, sporáků a chladniček.** Při tělesném kontaktu s uzemněním hrozí zvýšené riziko úrazu elektrickým proudem.
- **Elektrické nářadí chraňte před deštěm a vlhkem.** Vniknutí vody do elektrického nářadí zvyšuje nebezpečí úrazu elektrickým proudem.
- **Síťový kabel používejte jen k tomu účelu, pro který je určený. Nepoužívejte ho zejména k nošení či zavěšování elektrického nářadí ani k vytažování zástrčky ze zásuvky. Síťový kabel chraňte před horkem, olejem, ostrými hranami a pohyblivými díly.** Poškozené nebo zamotané síťové kabely zvyšují riziko úrazu elektrickým proudem.
- **Pokud pracujete s elektrickým nářadím venku, používejte pouze takové prodlužovací kabely, které jsou vhodné i pro venkovní použití.** Použití prodlužovacího kabelu, který je vhodný pro venkovní použití, snižuje riziko úrazu elektrickým proudem.
- **Pokud se nelze vyvarovat provozu elektrického nářadí ve vlhkém prostředí, použijte proudový chránič.** Použití proudového chrániče snižuje riziko úrazu elektrickým proudem.

#### Bezpečnost osob

- **Buďte pozorní, dávejte pozor na to, co děláte, a přistupujte k práci s elektrickým nářadím rozumně. Elektrické nářadí nepoužívejte, když jste unavení nebo pod vlivem drog, alkoholu či léků.** Okamžik nepozornosti při práci s elektrickým nářadím může mít za následek vážná poranění.
- **Používejte osobní ochranné pomůcky a vždy noste ochranné brýle.** Používání osobních ochranných pomůcek, jako jsou dýchací maska proti prachu, bezpečnostní obuv s protiskluzovou podrážkou, ochranná helma nebo chrániče sluchu (podle druhu použití elektrického nářadí), snižuje riziko úrazu.
- **Zabraňte neúmyslnému uvedení do provozu. Před zapojením elektrického nářadí do sítě a/nebo vložením akumulátoru, před uchopením elektrického nářadí nebo jeho přenášením se ujistěte, že je vypnuté.** Držíte-li při přenášení elektrického nářadí prst na spínači nebo připojujete-li ho k síti zapnuté, může dojít k úrazu.



- ▶ **Dříve než elektrické nářadí zapnete, odstraňte seřizovací nástroje nebo klíč.** Nástroj nebo klíč ponechaný v otáčivém dílu nářadí může způsobit úraz.
- ▶ **Udržujte přirozené držení těla. Zajímte bezpečný postoj a udržujte rovnováhu.** Tak si v nečekaných situacích zachováte lepší kontrolu nad výrobkem.
- ▶ **Noste vhodné oblečení. Nenoste volný oděv ani šperky. Vlasy, oděv a rukavice mějte v bezpečné vzdálenosti od pohybujících se dílů.** Volný oděv, šperky a dlouhé vlasy jimi mohou být zachyceny.
- ▶ **Pokud lze namontovat odsávání prachu nebo zařízení na zachycení prachu, zkontrolujte, zda jsou připojené a používají se správně.** Použitím odsávání prachu můžete snížit ohrožení vlivem prachu.
- ▶ **Nenechte se ukolébat falešným pocitem bezpečí a nepřekračujte bezpečnostní pravidla pro elektrické nářadí, i když jste po mnohonásobném použití s elektrickým nářadím dobře seznámeni.** Nepozorné jednání může ve zlomcích sekundy způsobit těžká zranění.

#### **Použití elektrického nářadí a péče o něj**

- ▶ **Nářadí nepřetěžujte. Pro danou práci použijte elektrické nářadí, které je pro ni určené.** S vhodným elektrickým nářadím budete v dané výkonové oblasti pracovat lépe a bezpečněji.
- ▶ **Nepoužívejte elektrické nářadí s vadným spínačem.** Elektrické nářadí, které nelze zapnout nebo vypnout, je nebezpečné a musí se opravit.
- ▶ **Dříve než budete nářadí seřizovat, měnit jeho příslušenství nebo než ho odložíte, vytáhněte síťovou zástrčku ze zásuvky a/nebo vyjměte odnímatelný akumulátor.** Toto preventivní opatření zabrání neúmyslnému zapnutí elektrického nářadí.
- ▶ **Nepoužívané elektrické nářadí uchovávejte mimo dosah dětí. Nedovoľte, aby nářadí používaly osoby, které s ním nejsou seznámené nebo si nepřečetly tyto pokyny.** Elektrické nářadí je nebezpečné, když ho používají nezkušené osoby.
- ▶ **O elektrické nářadí a příslušenství se pečlivě starajte. Kontrolujte, zda pohyblivé díly bezvadně fungují a nevážnou, zda díly nejsou prasklé nebo poškozené tak, že by byla narušena funkce elektrického nářadí. Poškozené díly nechte před použitím nářadí opravit.** Mnoho úrazů má na svědomí nedostatečná údržba elektrického nářadí.
- ▶ **Řezné nástroje udržujte ostré a čisté.** Pečlivě ošetřované řezné nástroje s ostrými řeznými hranami méně vážnou a dají se lehčeji vést.
- ▶ **Elektrické nářadí, příslušenství, nástroje atd. používejte v souladu s těmito instrukcemi. Respektujte přítom pracovní podmínky a prováděnou činnost.** Použití elektrického nářadí k jinému účelu, než ke kterému je určeno, může být nebezpečné.
- ▶ **Rukojeti a plochy rukojeti udržujte suché, čisté a beze stop oleje a tuku.** Kluzké rukojeti a plochy rukojeti nedovolují bezpečné ovládání a kontrolu elektrického nářadí v nepředvídaných situacích.

#### **Servis**

- ▶ **Elektrické nářadí svěřujte do opravy pouze kvalifikovaným odborným pracovníkům, kteří mají k dispozici originální náhradní díly.** Tak zajistíte, že elektrické nářadí bude i po opravě bezpečné.

## **2.2 Bezpečnostní pokyny pro kladiva**

### **Bezpečnostní pokyny pro všechny práce**

- ▶ **Používejte chrániče sluchu.** Hluk může způsobit ztrátu sluchu.
- ▶ **Používejte přídavné rukojeti dodané s nářadím.** Ztráta kontroly může vést k poranění.
- ▶ **Při práci, při které může nástroj zasáhnout skryté elektrické rozvody nebo vlastní síťový kabel, držte nářadí za izolované rukojeti.** Kontakt s vedením pod proudem může vést pod napětí i kovové díly nářadí, což by mohlo způsobit úraz elektrickým proudem.

## **2.3 Dodatečné bezpečnostní pokyny**

### **Bezpečnost osob**

- ▶ **Nářadí používejte jen v technicky bezvadném stavu.**
- ▶ **Neprovádějte žádné manipulace nebo změny na nářadí.**
- ▶ **Při prorážení otvorů zajistěte oblast na druhé straně.** Vybourané části mohou vypadnout ven a/nebo dolů a poranit jiné osoby.
- ▶ **Nářadí držte vždy pevně oběma rukama za rukojeti, které jsou k tomu určené. Rukojeti udržujte suché a čisté.**
- ▶ **Postranní rukojeť vždy držte z vnější strany.**
- ▶ **Při používání nářadí používejte vhodné ochranné brýle, ochrannou helmu, chrániče sluchu, ochranné rukavice a lehký respirátor.**
- ▶ **Také při výměně nástrojů noste ochranné rukavice.** Při dotknutí nástroje může dojít k řeznému poranění a popálení.



- ▶ Používejte ochranu očí. Odštěpný materiál může způsobit poranění těla a očí.
- ▶ Před začátkem práce si ujasněte rizikovou kategorii prachu, který při práci vzniká. Používejte stavební vysavač s oficiálně schválenou třídou ochrany, která splňuje místní předpisy na ochranu proti prachu.
- ▶ Pokud možno používejte odsávání prachu a vhodný mobilní vysavač. Prach z materiálů, jako jsou nářeť s obsahem olova, některé druhy dřeva, beton/zdivo/kámen, které obsahují křemen, a dále minerály a kov, může být zdraví škodlivý.
- ▶ Zajistěte dobré větrání pracoviště a v případě potřeby noste respirátor vhodný pro příslušný prach. Kontakt s tímto prachem nebo jeho vdechování může způsobit alergické reakce a/nebo onemocnění dýchacích cest pracovníka nebo osob v okolí. Určitý prach, např. prach z dubového nebo bukového dřeva, je rakovinotvorný, zejména ve spojení s přísadami pro úpravu dřeva (chromát, prostředky na ochranu dřeva). S materiálem obsahujícím azbest smí manipulovat pouze odborníci.
- ▶ Dělejte pracovní přestávky a provádějte cvičení pro lepší prokrvení prstů. Při delší práci může vlivem vibrační dojít k cévním poruchám nebo k poruchám nervového systému v prstech, rukách nebo zápěstích.

### Elektrická bezpečnost

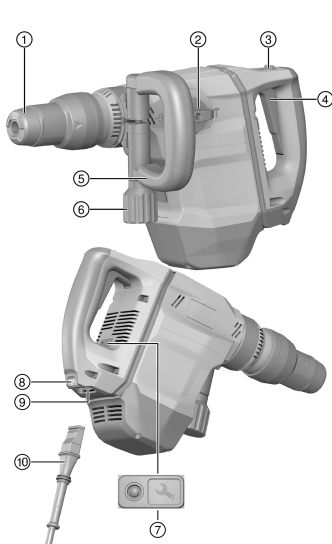
- ▶ Před zahájením práce zkontrolujte pracovní oblast, zda se v ní nenacházejí skryté elektrické rozvody, plynové a vodovodní trubky. Pokud byste omylem poškodili elektrické vedení, vnější kovové části nářadí mohou způsobit úraz elektrickým proudem.

### Pečlivé zacházení s elektrickým nářadím a jeho používání

- ▶ Když se zablokuje nástroj, elektrické nářadí okamžitě vypněte. Nářadí se může vychýlit do strany.
- ▶ Než elektrické nářadí odložíte, počkejte, dokud se nezastaví.

## 3 Popis

### 3.1 Přehled výrobku



- ① Upínání nástroje
- ② Volič funkcí
- ③ Ovládací spínač
- ④ Aretace spínače
- ⑤ Postranní rukojeť
- ⑥ Hlavicová rukojeť
- ⑦ Servisní ukazatel
- ⑧ Aretační tlačítko
- ⑨ Přípojka na elektrickém nářadí
- ⑩ Síťový kabel s kódovaným odpojitelným konektorem

### 3.2 Použití v souladu s určeným účelem

Popsaný výrobek je elektrické sekací kladivo. Je určené pro středně těžké sekací práce ve zdivu a betonu.

- ▶ Nářadí se smí používat pouze se síťovým napětím a síťovou frekvencí, které jsou uvedené na typovém štítku.

### 3.3 Active Vibration Reduction (AVR)

Sekací kladivo je vybavené systémem Active Vibration Reduction (AVR), který velmi výrazně snižuje vibrace.



### 3.4 Možné nesprávne použitie

- Tento výrobek není vhodný pro práci se zdraví škodlivými materiály.
- Tento výrobek není vhodný pro práci ve vlhkém prostředí.
- Tento výrobek se nesmí používat s jiným síťovým napětím a jinou síťovou frekvencí, než jak je uvedeno na typovém štítku.

### 3.5 Servisní ukazatel

Sekací kladivo je vybavené servisním ukazatelem se světelnou signalizací.

Stav	Význam
Svítil servisní ukazatel.	Dosažena doba nutnosti servisu.
Bliká servisní ukazatel.	Výrobek je poškozený. Nechte výrobek opravit v servisu <b>Hilti</b> .

### 3.6 Obsah dodávky

Sekací kladivo, postranní rukojeť, návod k obsluze.



Další systémové produkty schválené pro váš výrobek najdete v **Hilti Store** nebo na: [www.hilti.group](http://www.hilti.group)

## 4 Technické údaje

### 4.1 Sekací kladivo



Jmenovité napětí, jmenovitý proud, frekvenci a jmenovitý příkon najdete na typovém štítku určeném pro vaši zemi.

Při provozu s generátorem nebo transformátorem musí být jeho výstupní výkon minimálně dvojnásobný, než je jmenovitý příkon uvedený na typovém štítku nářadí. Provozní napětí transformátoru nebo generátoru musí být neustále v rozpětí +5 % a -15 % jmenovitého napětí nářadí.

	<b>TE 500-AVR</b>
<b>Hmotnost podle standardu EPTA 01</b>	6,3 kg

### 4.2 Informace o hlučnosti a hodnoty vibrací podle EN 62841

Hodnoty akustického tlaku a vibrací uvedené v těchto pokynech byly změřené normovanou měřicí metodou a lze je použít k vzájemnému srovnání elektrického nářadí. Jsou vhodné také pro předběžný odhad působení. Uvedené údaje reprezentují hlavní použití elektrického nářadí. Při jiném způsobu použití, při použití s jinými nástroji nebo nedostatečné údržbě se údaje mohou lišit. Působení během celé pracovní doby se tím může výrazně zvýšit.

Pro přesný odhad působení je nutné zohlednit také dobu, kdy je elektrické nářadí vypnuté nebo kdy sice běží, ale nepoužívá se. Působení během celé pracovní doby se tím může výrazně snížit.

Stanovte doplňující bezpečnostní opatření na ochranu pracovníka před působením hluku a/nebo vibrací, například: údržbu elektrického nářadí a nástrojů, udržování rukou v teple, organizace pracovních postupů.

#### Informace o hlučnosti

<b>Hladina akustického výkonu (<math>L_{WA}</math>)</b>	104 dB(A)
<b>Hladina akustického tlaku (<math>L_{pA}</math>)</b>	93 dB(A)
<b>Nejistota (akustické hodnoty) (<math>K_{pA}</math> a <math>K_{WA}</math>)</b>	3 dB(A)

#### Celkové hodnoty vibrací

<b>Sekání (<math>a_{h,Chetq}</math>)</b>	8,2 m/s <sup>2</sup>
<b>Nejistota (celkové hodnoty vibrací)</b>	1,5 m/s <sup>2</sup>



## 5 Obsluha

### 5.1 Příprava práce

#### POZOR

**Nebezpečí poranění!** Neúmyslné spuštění výrobku.

- ▶ Před nastavováním nářadí nebo výměnou příslušenství vytáhněte síťovou zástrčku ze zásuvky.

Dodržujte bezpečnostní pokyny a varovná upozornění v této dokumentaci a na výrobku.

#### 5.1.1 Montáž postranní rukojeti

#### POZOR

**Nebezpečí poranění** Ztráta kontroly nad sekacím kladivem.

- ▶ Ujistěte se, že je postranní rukojeť správně namontovaná a řádně připevněná.

1. Nasaďte držák (upínací pásek) a postranní rukojeť zepředu přes upínání nástroje až do určené drážky.
2. Nastavte postranní rukojeť do požadované polohy.
3. Otáčejte hlavicovou rukojetí pro upnutí držáku (upínacího pásku) postranní rukojeti.

#### 5.1.2 Připojení zásuvného síťového kabelu

#### POZOR

**Nebezpečí poranění** bludným proudem při znečištěných kontaktech.

- ▶ Odpojitelný elektrický konektor zapojujte do elektrického nářadí jen v čistém, suchém stavu bez napětí.

1. Kódovaný odpojitelný elektrický konektor zasuňte až nadoraz do nářadí tak, aby aretace slyšitelně zaskočila.
2. Zastrčte síťovou zástrčku do zásuvky.

#### 5.1.3 Nasazení/vyjmutí nástroje

#### VÝSTRAHA

**Nebezpečí poranění** Nářadí se používáním zahřívá.

- ▶ Při výměně nástrojů noste ochranné rukavice.

1. Mírně namažte upínací stopku nástroje.
2. Zasuňte nástroj až nadoraz do uchycení a nechte ho zaskočit.
  - ▶ Výrobek je připravený k použití.
3. Zatáhněte zajištění nástroje až nadoraz dozadu a vyjměte nástroj.



Používejte pouze originální tuk **Hilti**. Použití nevhodného tuku může způsobit poškození výrobku.

#### 5.1.4 Polohování sekáče

#### POZOR

**Nebezpečí poranění** Ztráta kontroly nad směrem sekání.

- ▶ Nepracujte, když je nářadí přepnuté na „Polohování sekáče“. Nastavte volič funkcí do polohy „sekání“, až zaskočí.



Sekáč je možné zaaretovat ve 24 různých polohách (po 15°). Tak lze s plochými a tvarovými sekáči vždy pracovat v optimální pracovní poloze.

1. Nastavte volič funkcí do této polohy .
2. Nastavte sekáč do požadované polohy.
3. Nastavte volič funkcí do této polohy **T** tak, aby zaskočil.
  - ▶ Nářadí je připravené k provozu.



### 5.1.5 Odpojení zásuvného síťového kabelu z elektrického nářadí

1. Vytáhněte síťovou zástrčku ze zásuvky.
2. Stiskněte aretační tlačítko a odpojte kódovaný odpojitelný elektrický konektor.
3. Vytáhněte síťový kabel z nářadí.

## 5.2 Práce

### VÝSTRAHA

**Nebezpečí úrazu elektrickým proudem!** Chybějící zemnicí vodič a proudový chránič mohou způsobit těžká poranění a popáleniny.

- ▶ Zkontrolujte, zda je u přívodu elektrického proudu na stavbě, ať se jedná o elektrickou síť, nebo generátor, vždy k dispozici a připojený zemnicí vodič a proudový chránič.
- ▶ Bez těchto bezpečnostních opatření neuvádějte žádný výrobek do provozu.

### VÝSTRAHA

**Nebezpečí způsobené poškozenými kabely!** Jestliže se při práci poškodí síťový nebo prodlužovací kabel, nesmíte se kabelu dotýkat. Vytáhněte síťovou zástrčku ze zásuvky.

- ▶ Pravidelně kontrolujte přívodní kabel zařízení a v případě poškození jej dejte vyměnit kvalifikovanému odborníkovi.

Pro práce si v plném rozsahu vyžádejte povolení od stavbyvedoucího!

### 5.2.1 Sekání

- ▶ Nastavte volič funkcí do této polohy .

### 5.2.2 Zapnutí/vypnutí trvalého provozu



Při sekání lze vypínač zajistit v zapnutém stavu.

1. Aretační tlačítko pro trvalý provoz posuňte dopředu.
2. Úplně stiskněte vypínač.
  - ▶ Výrobek pracuje nyní v trvalém provozu.
3. Aretační tlačítko pro trvalý provoz posuňte dozadu.
  - ▶ Výrobek se vypne.

## 6 Péče a údržba

### VÝSTRAHA

**Nebezpečí úrazu elektrickým proudem!** Provádění ošetřování a údržby se zapojenou síťovou zástrčkou může mít za následek těžká poranění a popáleniny.

- ▶ Před veškerým ošetřováním a údržbou vždy vytáhněte síťovou zástrčku!

### Ošetřování

- Opatrně odstraňte ulpívající nečistoty.
- Ventilační šterbiny očistěte opatrně suchým kartáčem.
- Kryt čistěte pouze mírně navlhčeným hadrem. Nepoužívejte ošetřovací prostředky s obsahem silikonu, aby nedošlo k poškození plastových částí.

### Údržba

### VÝSTRAHA

**Nebezpečí úrazu elektrickým proudem!** Neodborné opravy elektrických součástí mohou způsobit těžká poranění a popáleniny.

- ▶ Opravy na elektrických částech smí provádět pouze odborník s elektrotechnickou kvalifikací.
- Pravidelně kontrolujte všechny viditelné díly, zda nejsou poškozené, a ovládací prvky, zda správně fungují.
- V případě poškození a/nebo poruchy funkce výrobek nepoužívejte. Nechte ho ihned opravit v servisu Hilti.





- Po ošetřování a údržbě nasadte všechna ochranná zařízení a zkontrolujte funkci.



Pro bezpečný provoz používejte pouze originální náhradní díly a spotřební materiál. Námí schválené náhradní díly, spotřební materiál a příslušenství pro svůj výrobek najdete v **Hilti Store** nebo na: [www.hilti.group](http://www.hilti.group).

## 7 Přeprava a skladování

### Přeprava

- ▶ Tento výrobek nepřevazujte s nasazeným nástrojem.
- ▶ Dbejte na bezpečné upevnění při přepravě.
- ▶ Po každé přepravě zkontrolujte případné poškození všech viditelných dílů a bezvadnou funkci ovládacích prvků.

### Skladování

- ▶ Tento výrobek skladujte vždy s odpojenou síťovou zástrčkou.
- ▶ Tento výrobek skladujte v suchu a mimo dosah dětí a nepovolaných osob.
- ▶ Po delším skladování zkontrolujte případné poškození všech viditelných dílů a bezvadnou funkci ovládacích prvků.

## 8 Pomoc při poruchách

V případě poruch, které nejsou uvedené v této tabulce nebo které nemůžete odstranit sami, se obraťte na náš servis **Hilti**.

### 8.1 Pomoc při poruchách

Porucha	Možná příčina	Řešení
Sekací kladivo se nerozběhne.	Síťové napájení je přerušeno.	▶ Zapojte jiné elektrické zařízení a zkontrolujte funkci.
	Aktivovalo se elektronické blokování rozběhu po přerušení napájení.	▶ Nářadí vypněte a znovu zapněte.
	Generátor je v úsporném režimu.	▶ Generátor zatíže druhým spotřebičem (např. stavební svítilnou). Nářadí vypněte a poté znovu zapněte.
	Nářadí je poškozené.	▶ Nechte výrobek opravit v servisu <b>Hilti</b> .
	Opotřebované uhlíky.	▶ Nechejte je zkontrolovat elektrikářem a případně vyměnit.
Nefunguje přiklep.	Nářadí je příliš studené.	▶ Nasadte sekací kladivo na podklad a nechte ho běžet na volnoběh. V případě potřeby opakujte, dokud přiklepový mechanismus nezačne pracovat.
Sekací kladivo nemá plný výkon.	Prodlužovací kabel je příliš dlouhý a/nebo má malý průřez.	▶ Použijte prodlužovací kabel s přípustnou délkou a/nebo dostatečným průřezem.
	Spínač není úplně stisknutý.	▶ Stiskněte spínač až nadoraz.
Sekáč nelze uvolnit z aretace.	Upínání nástroje není zatažené úplně dozadu.	▶ Zatáhněte aretaci nástroje dozadu až nadoraz a nástroj vyjměte.
Bliká servisní ukazatel.	Nářadí je poškozené.	▶ Nechte výrobek opravit v servisu <b>Hilti</b> .
Svítil servisní ukazatel.	Opotřebované uhlíky.	▶ Nechejte je zkontrolovat elektrikářem a případně vyměnit.



Porucha	Možná příčina	Řešení
Svítil servisní ukazatel.	Nářadí je poškozené nebo je dosažena doba nutnosti servisu.	► Výrobek nechávejte opravovat pouze v servisu <b>Hilti</b> .

## 9 Likvidace

Nářadí **Hilti** je vyrobené převážně z recyklovatelných materiálů. Předpokladem pro recyklaci materiálů je jejich řádné třídění. V mnoha zemích odebírá **Hilti** staré nářadí k recyklaci. Informujte se v servisu **Hilti** nebo u prodejního poradce.



- Nevyhazujte elektrické nářadí, elektronická zařízení a akumulátory do smíšeného odpadu!

## 10 RoHS (směrnice o omezení používání nebezpečných látek)

Pod následujícími odkazy najdete tabulku s nebezpečnými látkami: [qr.hilti.com/rxxx](http://qr.hilti.com/rxxx).

Odkaz na tabulku RoHS najdete na konci této dokumentace jako QR kód.

## 11 Záruka výrobce

- V případě otázek ohledně záručních podmínek se obraťte na místního partnera **Hilti**.

# Originálny návod na obsluhu

## 1 Informácie o návode na obsluhu

### 1.1 O tomto návode na obsluhu

- Pred uvedením do prevádzky si prečítajte tento návod na obsluhu. Je to predpokladom na bezpečnú prácu a bezproblémovú manipuláciu.
- Dodržujte bezpečnostné pokyny a varovania v návode na obsluhu a na výrobku.
- Tento návod na obsluhu uchovávajte vždy s výrobkom a ďalším osobám odovzdávajte výrobok iba s týmto návodom na obsluhu.

### 1.2 Vysvetlenie značiek

#### 1.2.1 Výstražné upozornenia

Výstražné upozornenia varujú pred rizikami pri zaobchádzaní s výrobkom. Používajú sa nasledujúce signálne slová:

#### NEBEZPEČENSTVO

##### NEBEZPEČENSTVO !

- Na označenie bezprostredne hroziaceho nebezpečenstva, ktoré môže spôsobiť ťažký úraz alebo smrť.

#### VAROVANIE

##### VAROVANIE !

- Označenie možného hroziaceho nebezpečenstva, ktoré môže viesť k ťažkým poraneniam alebo usmrteniu.

#### POZOR

##### POZOR !

- Označenie novej nebezpečnej situácie, ktorá môže viesť k telesným poraneniam alebo k vecným škodám.

#### 1.2.2 Symboly v návode na používanie

V tomto návode na používanie sa používajú nasledujúce symboly:



	Dodržiavajte návod na používanie
	Upozornenia týkajúce sa používania a iné užitočné informácie
	Zaobchádzanie s recyklovateľnými materiálmi
	Elektrické zariadenia a akumulátory nevyhadzujte do komunálneho odpadu

### 1.2.3 Symboly na obrázkoch

Na vyobrazeniach sa používajú nasledujúce symboly:

	Tieto čísla odkazujú na príslušné vyobrazenie na začiatku tohto návodu na používanie.
	Číslovanie na obrázkoch upozorňuje na dôležité pracovné kroky alebo konštrukčné prvky dôležité pre pracovné kroky. V texte sú tieto pracovné kroky alebo komponenty označené príslušnými číslami, napr. <b>(3)</b> .
	Čísla pozícií sa používajú v obrázku <b>Prehľad</b> a odkazujú na čísla legendy v odseku <b>Prehľad výrobkov</b> .
	Tento symbol by mal u vás vzbudiť mimoriadnu pozornosť pri zaobchádzaní s výrobkom.

## 1.3 Vysvetlenie značiek

### 1.3.1 Symboly na výrobku

Na výrobku sa používajú nasledujúce symboly:

	Sekanie
	Nastavenie polohy sekáča
	Trieda ochrany II (dvojitá izolácia)
$n_0$	Menovité voľnobežné otáčky
	Používajte ochranné rukavice.

## 1.4 Informácie o výrobku

Výrobky sú určené pre profesionálneho používateľa a smie ich obsluhovať, vykonávať údržbu a opravovať iba autorizovaný, vyškolený personál. Tento personál musí byť špeciálne poučený o vznikajúcich rizikách a nebezpečenstve. Výrobok a jeho pomocné prostriedky sa môžu stať zdrojom nebezpečenstva v prípade, že s nimi bude manipulovať personál bez vzdelania, neodborným spôsobom alebo ak sa nebudú používať v súlade s určením.

Typové označenie a sériové číslo sú uvedené na typovom štítku.

- Poznamenajte si sériové číslo do nasledujúcej tabuľky. Údaje výrobku budete potrebovať pri dopytoch adresovaných nášmu zastúpeniu alebo servisu.

#### Údaje o výrobku

Sekacie kladivo	TE 500-AVR
Generácia	03
Sériové číslo	

## 1.5 Vyhlásenie o zhode

Na vlastnú zodpovednosť vyhlasujeme, že tu opísaný výrobok sa zhoduje s nasledujúcimi smernicami a normami. Vyobrazenie vyhlásenia o zhode nájdete na konci tejto dokumentácie.

Technické dokumentácie sú uložené tu:

Hilti Entwicklungsgesellschaft mbH | Zulassung Geräte | Hiltistraße 6 | 86916 Kaufering, DE



### 2.1 Všeobecné bezpečnostné pokyny a upozornenia pre elektrické náradie

**⚠ VÝSTRAHA** Prečítajte si všetky bezpečnostné upozornenia, pokyny, obrázky a technické údaje týkajúce sa toto elektrického náradia. Nedbalosť pri dodržiavaní uvedených pokynov a pokynov môže mať za následok úraz elektrickým prúdom, požiar a/alebo závažné poranenia.

**Všetky bezpečnostné upozornenia a pokyny si uschovajte pre budúcu potrebu.**

Pojem "elektrické náradie" uvedený v bezpečnostných upozorneniach sa vzťahuje na sieťové elektrické náradie (náradie so sieťovým káblom) alebo na akumulátorové elektrické náradie (bez sieťového kábla).

#### Bezpečnosť na pracovisku

- ▶ **Na pracovisku udržiavajte čistotu a dbajte na dostatočné osvetlenie.** Neporiadok na pracovisku a neosvetlené časti pracoviska môžu viesť k úrazom.
- ▶ **Nepracujte s elektrickým náradím vo výbušnom prostredí, v ktorom sa nachádzajú horľavé kvapaliny, plyny alebo prach.** Elektrické náradie vytvára iskry, ktoré môžu spôsobiť vznietenie prachu alebo výparov.
- ▶ **Pri používaní elektrického náradia dbajte na bezpečnú vzdialenosť detí a iných osôb.** Pri odpuťaní pozornosti od práce môžete stratiť kontrolu nad náradím.

#### Elektrická bezpečnosť

- ▶ **Pripájacia zástrčka elektrického náradia musí byť vhodná od danej zásuvky. Zástrčka sa nesmie žiadnym spôsobom meniť či upravovať. Spolu s uzemneným elektrickým náradím nepoužívajte žiadne zástrčkové adaptéry.** Nezmenené zástrčky a vhodné zásuvky znižujú riziko úrazu elektrickým prúdom.
- ▶ **Zabráňte kontaktu tela s uzemnenými povrchmi ako sú rúry, radiátory alebo vykurovacie telesá, sporáky a chladničky.** Pri uzemnení vášho tela hrozí zvýšené riziko úrazu elektrickým prúdom.
- ▶ **Chráňte elektrické náradie pred dažďom či vlhkosťou.** Vniknutie vody do elektrického náradia zvyšuje riziko úrazu elektrickým prúdom.
- ▶ **Pripojovací kábel nepoužívajte na účely, na ktoré nie je určený, napr. na prenášanie, zavesenie elektrického náradia či na vyťahovanie zástrčky zo zásuvky. Pripojovací kábel držte v bezpečnej vzdialenosti od tepla, oleja, ostrých hrán alebo pohyblivých častí.** Poškodené alebo spletené pripojovacie káble zvyšujú riziko úrazu elektrickým prúdom.
- ▶ **Pri práci s elektrickým náradím vo vonkajšom prostredí používajte iba predlžovacie káble vhodné aj do vonkajšieho prostredia.** Používanie predlžovacieho kábla vhodného do vonkajšieho prostredia znižuje riziko úrazu elektrickým prúdom.
- ▶ **Pokiaľ sa nemožno vyhnúť prevádzkovaniu elektrického náradia vo vlhkom prostredí, použite prúdový chránič.** Použitie prúdového chrániča znižuje riziko úrazu elektrickým prúdom.

#### Bezpečnosť osôb

- ▶ **Pri práci buďte pozorní, dávajte pozor na to, čo robíte a pri práci s elektrickým náradím postupujte s rozvahou. Elektrické náradie nepoužívajte vtedy, keď ste unavení alebo pod vplyvom drog, alkoholu alebo liekov.** Aj moment nepozornosti pri používaní elektrického náradia môže viesť k závažným poraneniam.
- ▶ **Noste prostriedky osobnej ochrannej výbavy a vždy používajte ochranné okuliare.** Nosenie osobnej ochrannej výbavy, ako je maska proti prachu, bezpečnostná obuv s protišmykovou podrážkou, ochranná prilba alebo chrániče sluchu (podľa druhu a použitia elektrického náradia), znižuje riziko poranení.
- ▶ **Zabráňte neúmyselnému uvedeniu do prevádzky. Pred pripojením na elektrické napájanie a/alebo pripojením akumulátora, pred uchopením alebo prenášaním sa uistite, že elektrické náradie je vypnuté.** Ak máte pri prenášaní elektrického náradia prst na spínači alebo ak pripojíte zapnuté náradie na elektrické napájanie, môže to viesť k vzniku úrazov a nehôd.
- ▶ **Pred zapnutím elektrického náradia odstráňte z náradia nastavovacie nástroje alebo kľúče na skrutky.** Nástroj alebo kľúč v otáčajúcej sa časti náradia môže spôsobiť úrazy.
- ▶ **Vyhýbajte sa neprirodzenej polohe a držaniu tela. Pri práci zabezpečte stabilný postoj a neustále udržiavajte rovnováhu.** Budete tak môcť elektrické náradie v neočakávaných situáciách lepšie kontrolovať.
- ▶ **Noste vhodný odev. Nenoste voľný odev alebo šperky. Vlasy, odev a rukavice udržiavajte mimo pohybujúcich sa dielov.** Voľný odev, šperky alebo dlhé vlasy sa môžu zachytiť o pohybujúce sa diely.
- ▶ **Ak je možné namontovať zariadenia na odsávanie a zachytávanie prachu, presvedčite sa, že tieto zariadenia sú pripojené a používajú sa správne.** Používanie zariadenia na odsávanie prachu môže znížiť ohrozenia spôsobené prachom.



- ▶ **Neuspokojte sa pocitom falošnej bezpečnosti a nekonajte v rozpore s bezpečnostnými pravidlami pre elektrické náradie, aj keď máte dostatok skúseností s používaním elektrického náradia.** Nedbalé konanie sa môže v zlomkoch sekundy zmeniť na ťažký úraz.

#### Používanie a starostlivosť o elektrické náradie

- ▶ **Náradie/zariadenie/prístroj nepreťažujte.** Používajte vhodné elektrické náradie určené na prácu, ktorú vykonávate. Vhodné elektrické náradie umožňuje lepšiu a bezpečnejšiu prácu v uvedenom rozsahu výkonu.
- ▶ **Elektrické náradie s poškodeným vypínačom nepoužívajte.** Náradie, ktoré sa nedá zapnúť alebo vypnúť je nebezpečné a treba ho dať opraviť.
- ▶ **Skôr než budete náradie nastavovať, meniť časti jeho príslušenstva alebo než ho odložíte, vytiahnite sieťovú zástrčku zo zásuvky a/alebo vyberte odnímateľný akumulátor.** Toto bezpečnostné opatrenie zabraňuje neúmyselnému spusteniu elektrického náradia.
- ▶ **Nepoužívané elektrické náradie odložte na miesto chránené pred prístupom detí. Nedovoľte používať náradie osobám, ktoré s ním nie sú oboznámené alebo si neprečítali tieto inštrukcie.** Elektrické náradie je pre neskúsených používateľov nebezpečné.
- ▶ **Elektrické náradie a príslušenstvo starostlivo udržiavajte.** Skontrolujte, či pohyblivé časti náradia bezchybne fungujú a nezasekávajú sa, či nie sú niektoré časti zlomené alebo poškodené v takom rozsahu, že to ovplyvňuje fungovanie elektrického náradia. Poškodené časti dajte pred použitím náradia opraviť. Mnohé úrazy sú zapríčinené nesprávnou a nedostatočne udržiavaným elektrickým náradím.
- ▶ **Rezacie nástroje udržiavajte ostré a čisté.** Starostlivo ošetrované rezacie nástroje s ostrými reznými hranami sa zasekávajú menej a ľahšie sa vedú.
- ▶ **Elektrické náradie, príslušenstvo, vkladacie nástroje atď. používajte v súlade s týmito pokynmi. Zohľadnite pri tom pracovné podmienky a vykonávanú činnosť.** Používanie elektrického náradia na iné než určené použitie môže viesť k nebezpečným situáciám.
- ▶ **Rukoväti a plochy udržiavajte suché, čisté a bez oleja alebo tuku.** Klzké rukoväti a plochy neumožňujú bezpečnú obsluhu a kontrolu elektrického náradia v nepredvídateľných situáciách.

#### Servis

- ▶ **Elektrické náradie nechajte opravovať iba kvalifikovaným odborným personálom a iba s použitím originálnych náhradných dielov.** Tým sa zabezpečí, že zostane zachovaná bezpečnosť elektrického náradia.

## 2.2 Bezpečnostné upozornenia pre kladivá

### Bezpečnostné upozornenia pre všetky práce

- ▶ **Používajte chrániče sluchu.** Pôsobenie hluku môže spôsobiť stratu sluchu.
- ▶ **Používajte prídavné rukoväti dodané s náradím.** Strata kontroly nad náradím môže viesť k poraneniám.
- ▶ **Keď vykonávate práce, pri ktorých sa môže vkladací nástroj dostať do styku so skrytými elektrickými vedeniami alebo s vlastným sieťovým káblom náradia, držte náradie za izolované úchopové plochy.** Kontakt s elektrickým vedením pod napätím spôsobí, že aj kovové časti náradia budú pod napätím, a tým môžu viesť k úrazu elektrickým prúdom.

## 2.3 Ďalšie bezpečnostné upozornenia

### Bezpečnosť osôb

- ▶ Náradie používajte len v technicky bezchybnom stave.
- ▶ Na náradí nikdy nevykonávajte úpravy alebo zmeny.
- ▶ Pri prerážacích prácach zaistite oblasť prác aj na protiaľhlej strane. Vybúrané časti môžu vypadnúť a/alebo spadnúť a poraniť iné osoby.
- ▶ Náradie vždy pevne držte za určené rukoväti, obidvomi rukami. Rukoväti udržiavajte suché a čisté.
- ▶ Bočnú rukoväť uchopte vždy z vonkajšej strany.
- ▶ Počas používania náradia noste vhodné ochranné okuliare, príbhu, ochranu sluchu, ochranné rukavice a ľahkú ochranu dýchacích ciest.
- ▶ Aj pri výmene nástrojov noste ochranné rukavice. Dotknutie sa vkladacieho nástroja môže viesť k rezným poraneniám a k vzniku popálenín.
- ▶ Používajte ochranu očí. Odlamujúci sa materiál môže poraniť telo a oči.
- ▶ Pred začatím práce si ujasnite triedu nebezpečnosti prachu, ktorý vzniká pri práci. Používajte vysávač na stavebný prach s oficiálne schválenou ochrannou klasifikáciou, zodpovedajúcou vašim lokálnym ustanoveniam o ochrane proti prachu.



- Podľa možnosti používajte odsávanie prachu a vhodný mobilný vysávač. Prach z takých materiálov, ako je náter s obsahom olova, prach z niektorých druhov dreva, betónu/muriva/horniny s obsahom kremeňa a minerálov, ako aj kovu, môže byť zdraviu škodlivý.
- Zabezpečte dobré vetranie pracoviska a prípadne používajte ochrannú masku vhodnú pre príslušný prach. Dotýkanie sa alebo vdychovanie takéhoto prachu môže vyvolávať alergické reakcie a/alebo ochorenia dýchacích ciest používateľa alebo osôb nachádzajúcich sa v blízkosti. Určitý prach, napr. prach z dubového alebo bukového dreva, sa považuje za rakovinotvorný, predovšetkým v spojení s prísadami na úpravu dreva (chromát, prostriedky na ochranu dreva). S materiálom obsahujúcim azbest smú manipulovať len odborníci.
- Robte si prestávky a cvičenia na lepšie prekrvenie prstov. Pri dlhšej práci sa môžu v dôsledku vibrácií vyskytnúť poruchy na ciech alebo nervových systémoch na prstoch, rukách alebo kĺboch rúk.

### Elektrická bezpečnosť

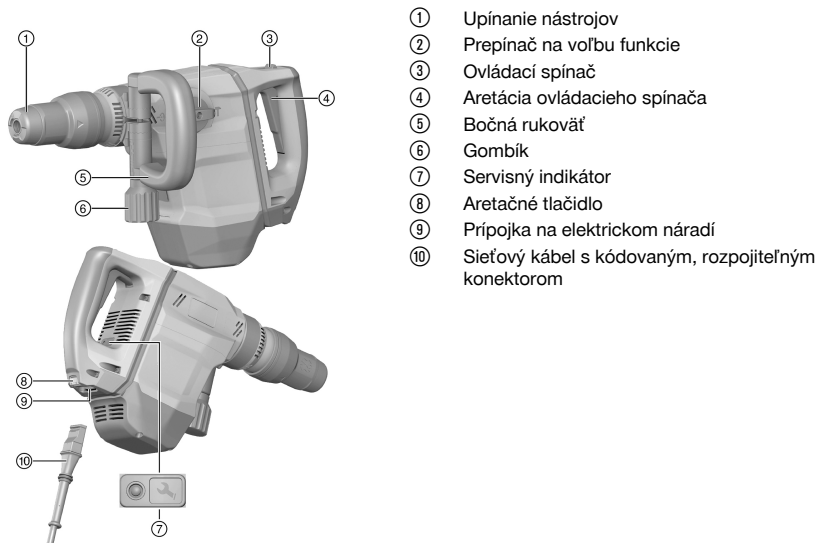
- Pred začiatkom prác skontrolujte pracovisko ohľadne skrytých elektrických vedení, plynových a vodovodných potrubí. Vonkajšie kovové časti náradia môžu spôsobiť úraz elektrickým prúdom v prípade náhodného poškodenia elektrického vedenia.

### Starostlivé zaobchádzanie a používanie elektrického náradia

- Ak sa obrobok zablokuje, okamžite vypnite elektrické náradie. Náradie môže vybočiť.
- Skôr, než náradie odložíte, počkajte do jeho úplného zastavenia.

## 3 Opis

### 3.1 Prehľad výrobku



- 1 Upínanie nástrojov
- 2 Prepínač na voľbu funkcie
- 3 Ovládaci spínač
- 4 Aretácia ovládacieho spínača
- 5 Bočná rukoväť
- 6 Gombík
- 7 Servisný indikátor
- 8 Aretačné tlačidlo
- 9 Prípojka na elektrickom náradí
- 10 Sieťový kábel s kódovaným, rozpojiteľným konektorom

### 3.2 Používanie v súlade s určením

Opísaný výrobok je elektricky napájané sekacie kladivo. Je určené na stredne ťažké sekanie muriva a betónu.

- Náradie sa smie používať výlučne s napájaním zo siete s napätím a frekvenciou, ktoré sú uvedené na typovom štítku.

### 3.3 Active Vibration Reduction (AVR)

Sekacie kladivo je vybavené systémom Active Vibration Reduction (AVR), ktorý výrazne znižuje vibrácie.

### 3.4 Možné chybné používanie

- Tento výrobok nie je vhodný na opracovávanie zdraviu ohrozujúcich materiálov.



- Tento výrobok nie je vhodný na prácu vo vlhkom prostredí.
- Tento výrobok sa smie používať výlučne s napájaním zo siete s napätím a frekvenciou, ktoré sú uvedené na typovom štítku.

### 3.5 Servisný indikátor

Sekacie kladivo je vybavené servisným indikátorom so svetelnou signalizáciou.

Stav	Význam
Servisný indikátor svieti.	Uplynul čas, po ktorom treba vykonať servisný zásah.
Servisný indikátor bliká.	Poškodenie výrobku. Výrobok dajte opraviť v servisnom stredisku <b>Hilti</b> .

### 3.6 Rozsah dodávky

Sekacie kladivo, bočná rukoväť, návod na používanie.



Ďalšie systémové výrobky, ktoré sú schválené pre váš výrobok, nájdete vo vašom **Hilti Store** alebo na stránke: [www.hilti.group](http://www.hilti.group)

## 4 Technické údaje

### 4.1 Sekacie kladivo



Menovité napätie, menovitý prúd, frekvenciu a menovitý príkon nájdete na typovom štítku špecifickom pre danú krajinu.

Pri prevádzkovaní na generátore alebo transformátore musí byť jeho výstupný (podávaný) výkon minimálne dvakrát taký vysoký ako je menovitý príkon, ktorý je uvedený na typovom štítku náradia. Prevádzkové napätie transformátora alebo generátora musí byť neustále v rozsahu +5 % a -15 % menovitého napätia náradia.

	TE 500-AVR
Hmotnosť podľa štandardu EPTA 01	6,3 kg

### 4.2 Hodnoty hluku a vibrácií podľa EN 62841

Hodnoty akustického tlaku a vibrácií uvedené v tomto návode boli namerané podľa normovanej metódy merania a dajú sa využiť na vzájomné porovnanie elektrického náradia. Sú vhodné aj na predbežné posúdenie expozícií.

Uvedené údaje reprezentujú hlavné spôsoby použitia elektrického náradia. Ak sa však elektrické náradie používa na iné účely, s odlišnými pracovnými nástrojmi alebo nemá zabezpečenú dostatočnú údržbu, údaje sa môžu odlišovať. Tým sa môže podstatne zvýšiť miera pôsobenia v priebehu celého pracovného času.

Pri presnom odhadovaní expozícií by sa mal zohľadniť aj čas, kedy bolo náradie buď vypnuté, alebo síce spustené, no v skutočnosti sa nepoužívalo. Tým sa môže podstatne znížiť miera pôsobenia v priebehu celého pracovného času.

Prijmite dodatočné bezpečnostné opatrenia na ochranu obsluhujúcej osoby pred pôsobením hluku a/alebo vibrácií, ako sú napríklad: údržba elektrického náradia a vkladacích nástrojov, udržiavanie správnej teploty rúk, organizácia pracovných procesov.

#### Informácie o hlučnosti

Úroveň akustického výkonu ( $L_{WA}$ )	104 dB(A)
Hladina akustického tlaku ( $L_{pA}$ )	93 dB(A)
Neistota (hodnoty hluku) ( $K_{pA}$ a $K_{WA}$ )	3 dB(A)

#### Celkové hodnoty vibrácií

Sekanie ( $a_{h, Chreq}$ )	8,2 m/s <sup>2</sup>
Neistota (celkové hodnoty vibrácií)	1,5 m/s <sup>2</sup>



## 5 Obsluha

### 5.1 Príprava práce

#### POZOR

**Nebezpečenstvo poranenia!** Neúmyselné spustenie výrobu.

- ▶ Skôr, než začnete nastavovať náradie alebo meniť časti jeho príslušenstva, vytiahnite sieťovú koncovku z elektrickej zásuvky.

Dodržiujte bezpečnostné pokyny a varovania v tejto dokumentácii a na produkte.

#### 5.1.1 Montáž bočnej rukoväti

#### POZOR

**Nebezpečenstvo poranenia** Strata kontroly nad sekacím kladivom.

- ▶ Presvedčite sa, že bočná rukoväť je správne namontovaná a riadne upevnená.

1. Posuňte držiak (upínací pás) a bočnú rukoväť spredu cez upínanie nástroja do určenej drážky.
2. Nastavte bočnú rukoväť do želanej polohy.
3. Otáčaním rukoväti napnite držiak (upínací pás) bočnej rukoväti.

#### 5.1.2 Pripojenie zásuvného sieťového kábla

#### POZOR

**Nebezpečenstvo poranenia** povrchovým prúdom, ak sú znečistené kontakty.

- ▶ Odpojiteľný elektrický konektor spájajte s elektrickým náradím, len ak je čistý, suchý a ak nie je pod napätím.

1. Kódovanú odpojiteľnú elektrickú koncovku zasuňte do náradia až na doraz, musíte počuť zaskočiť aretáciu.
2. Sieťovú koncovku pripojte do zásuvky.

#### 5.1.3 Vkládanie/vyberanie vkladacieho nástroja

#### VAROVANIE

**Nebezpečenstvo poranenia** Nástroj sa pri používaní zahrieva.

- ▶ Pri výmene nástroja používajte ochranné rukavice.

1. Vsvávací koniec vkladacieho nástroja mierne namažte.
2. Zasuňte vkladací nástroj až na doraz do upínania nástrojov a nechajte ho zaskočiť.
  - ▶ Výrobok je pripravený na činnosť.
3. Potiahnite zaistenie nástroja až na doraz smerom dozadu a vkladací nástroj vyberte.



Používajte iba originálny tuk od firmy **Hilti**. Použitie nevhodného tuku môže zapríčiniť poškodenia výrobku.

#### 5.1.4 Nastavenie polohy sekáča


#### POZOR

**Nebezpečenstvo poranenia** Strata kontroly nad smerom sekania.

- ▶ Nepracujte v polohe „Nastavenie polohy sekáča“. Nastavte prepínač na voľbu funkcie na pozíciu „Sekanie“ tak, aby sa zaistil.



Sekáč možno nastaviť v 24 rôznych pozíciách (v krokoch po 15°). Táto funkcia umožňuje prácu s plochými a tvarovanými sekáčmi vždy v optimálnej pracovnej pozícii.

1. Nastavte prepínač na voľbu funkcie do tejto pozície .
2. Sekáč natočte do požadovanej polohy.
3. Nastavte prepínač na voľbu funkcie do tejto pozície **T** tak, aby zapadol.
  - ▶ Náradie je pripravené na činnosť.





### 5.1.5 Odpojenie zásuvného sieťového kábla od elektrického náradia

1. Vytiahnite sieťovú koncovku zo zásuvky.
2. Stlačte aretačné tlačidlo a vytiahnite kódovanú, odpojiteľnú elektrickú sieťovú koncovku.
3. Vytiahnite sieťový kábel z náradia.

## 5.2 Práca

### VAROVANIE

**Nebezpečenstvo zásahu elektrickým prúdom!** Chýbajúce uzemňovacie vodiče a prúdové chrániče môžu zapríčiniť ťažké poranenia a popáleniny.

- ▶ Skontrolujte, či v elektrickom privode na mieste stavby (či zo siete alebo generátora) je vždy dostupný uzemňovací vodič a prúdový chránič a či sú pripojené.
- ▶ Bez týchto bezpečnostných opatrení neuvádzajte do prevádzky žiaden výrobok.

### VAROVANIE

**Nebezpečenstvo vyplývajúce z poškodeného kábla!** Pri poškodení sieťovej alebo predlžovacej šnúry pri práci sa šnúry nedotýkajte. Zástrčku sieťovej šnúry vytiahnite zo zásuvky.

- ▶ Pripájacie vedenie výrobku pravidelne kontrolujte a v prípade poškodenia ho nechajte vymeniť povereným odborníkom.

Práce si dajte v plnom rozsahu schváliť vedením stavby!

### 5.2.1 Sekanie

- ▶ Nastavte prepínač na voľbu funkcie do tejto pozície .

### 5.2.2 Zapnutie/vypnutie trvalého chodu



Vypínač môžete v režime sekania zaaretovať v zapnutom stave.

1. Aretačné tlačidlo trvalého chodu posuňte smerom dopredu.
2. Úplne stlačte vypínač.
  - ▶ Výrobok teraz pracuje v režime trvalej prevádzky.
3. Aretačné tlačidlo trvalého chodu posuňte smerom dozadu.
  - ▶ Výrobok sa vypne.

## 6 Starostlivosť a údržba/oprava

### VAROVANIE

**Nebezpečenstvo úrazu elektrickým prúdom!** Vykonávanie údržby a opravy so zapojenou sieťovou zástrčkou môže viesť k závažným poraneniam a k popáleninám.

- ▶ Pred akoukoľvek údržbou a opravami vždy vytiahnite sieťovú zástrčku zo zásuvky!

### Starostlivosť

- Pevne zachytenú nečistotu opatrne odstráňte.
- Vetracie štrbiny opatrne vyčistite suchou kefou.
- Kryt čistíte len mierne navlhčenou handrou. Nepoužívajte žiadne prostriedky na ošetrovanie obsahujúce silikón, pretože tie môžu poškodiť plastové časti.

### Údržba a oprava

### VAROVANIE

**Nebezpečenstvo zásahu elektrickým prúdom!** Neodborné opravy na elektrických častiach môžu viesť k závažným poraneniam a popáleninám.

- ▶ Opravy elektrických častí smie vykonávať iba školený elektromechanik.
- Pravidelne kontrolujte všetky viditeľné časti a výskyt poškodení, ako aj bezchybné fungovanie ovládacích prvkov.
- V prípade poškodenia a/alebo poruchy funkcie výrobok nepoužívajte. Ihneď ho dajte opraviť v servise firmy Hilti.



- Po prácach spojených so starostlivosťou a udržiavaním náradia pripevnite všetky ochranné zariadenia a skontrolujte ich fungovanie.

**i** Aby bola zaistená bezpečná prevádzka, používajte len originálne náhradné súčiastky a spotrebné materiály. Nami schválené náhradné súčiastky, spotrebné materiály a príslušenstvo pre váš výrobok nájdete vo vašom **Hilti Store** alebo na stránke: **www.hilti.group**.

## 7 Doprava a skladovanie

### Preprava

- Neprepravujte tento výrobok s namontovaným pracovným nástrojom.
- Dbajte na bezpečné držanie pri prenášaní.
- Po každej preprave pravidelne kontrolujte všetky viditeľné časti, či nie sú poškodené a ovládacie prvky, či správne fungujú.

### Skladovanie

- Tento výrobok skladujte vždy s vytiahnutou sieťovou zástrčkou.
- Tento výrobok skladujte na suchom mieste a mieste nedostupnom pre deti a nepovolane osoby.
- Po dlhšom skladovaní skontrolujte všetky viditeľné časti, či nie sú poškodené a ovládacie prvky, či správne fungujú.

## 8 Pomoc v prípade porúch

Pri výskyte takých porúch, ktoré nie sú uvedené v tejto tabuľke, alebo ktoré nedokážete odstrániť sami, sa obráťte na náš servis **Hilti**.

### 8.1 Pomoc v prípade porúch

Porucha	Možná príčina	Riešenie
Sekacie kladivo sa nerozbehne.	Prívod sieťového napätia je prerušený.	▶ Zapojte iné elektrické zariadenie a skontrolujte, či funguje.
	Elektronické blokovanie rozbehu sa po prerušení dodávky elektrickej energie aktivovalo.	▶ Vypnite a opäť zapnite náradie.
	Generátor je v režime spánku.	▶ Začajte generátor druhým spotrebičom (napríklad svetidlom na stavby). Potom náradie vypnite a opäť zapnite.
	Náradie je poškodené.	▶ Výrobok dajte opraviť v servisnom stredisku <b>Hilti</b> .
	Opotrebované uhlíky.	▶ Nechajte skontrolovať odborníkom na elektrické náradie a v prípade potreby dajte vymeniť.
Žiadny príklep.	Náradie je príliš studené.	▶ Položte sekacie kladivo na podklad a nechajte ho spustené na voľnobehu. Ak je to potrebné, opakujte postup dovtedy, kým nebude príklepový mechanizmus pracovať.
Sekacie kladivo nedosahuje plný výkon.	Predĺžovacia šnúra je príliš dlhá a/alebo nemá dostatočný prierez.	▶ Používajte predĺžovaciu šnúru s prípustnou dĺžkou a/alebo s dostatočným prierezom.
	Vypínač nie je dostatočne stlačený.	▶ Vypínač celkom stlačte až na doraz.
Sekáč sa nedá uvoľniť zo skľučovadla.	Objímka skľučovadla nebola úplne potiahnutá dozadu.	▶ Zaisťovací mechanizmus nástroja potiahnite až na doraz dozadu a nástroj vyberte.



Porucha	Možná príčina	Riešenie
Servisný indikátor bliká.	Náradie je poškodené.	► Výrobok dajte opraviť v servisnom stredisku <b>Hilti</b> .
Servisný indikátor svieti.	Opotrebované uhlíky.	► Nechajte skontrolovať odborníkom na elektrické náradie a v prípade potreby dajte vymeniť.
	Poškodenie náradia alebo uplynul čas, po ktorom treba vykonať servisný zásah.	► Výrobok dajte opraviť iba v servisnom stredisku <b>Hilti</b> .

## 9 Likvidácia

Náradie značky **Hilti** je z veľkej časti vyrobené z recyklovateľných materiálov. Predpokladom na opakované využitie recyklovateľných materiálov je ich správne separovanie. V mnohých krajinách firma **Hilti** odobere vaše staré náradie na recykláciu. Opýtajte sa na to v zákazníckom servise firmy **Hilti** alebo u svojho obchodného poradcu.



- Elektrické prístroje, elektronické zariadenia a akumulátory nedávajte do domáceho odpadu!

## 10 RoHS (smernica o obmedzení používania určitých látok v elektrických a elektronických zariadeniach)

Pod nasledujúcim odkazom nájdete tabuľku nebezpečných látok: [qr.hilti.com/rxxx](http://qr.hilti.com/rxxx).

Odkaz na tabuľku RoHS nájdete na konci tejto dokumentácie ako QR kód.

## 11 Záruka výrobcu

- Ak máte akékoľvek otázky týkajúce sa záručných podmienok, obráťte sa, prosím, na vášho lokálneho partnera spoločnosti **Hilti**.

# Eredeti használati utasítás

## 1 A használati utasításra vonatkozó adatok

### 1.1 A használati utasításhoz

- Üzembe helyezés előtt feltétlenül olvassa el a használati utasítást. Ez a biztonságos munkavégzés és a hibamentes kezelés előfeltétele.
- Vegye figyelembe a használati utasításban és a terméken található biztonsági utasításokat és figyelmeztetéseket.
- Ezt a használati utasítást mindig tárolja a termék közelében, és a terméket csak ezzel a használati utasítással együtt adja tovább harmadik személynek.

### 1.2 Jelmagyarázat

#### 1.2.1 Figyelmeztetések

A figyelmeztetések a termék használata során előforduló veszélyekre hívják fel a figyelmet. A következő figyelmeztetéseket használjuk:

#### VESZÉLY

#### VESZÉLY!

- Súlyos testi sérüléshez vagy halálhoz vezető közvetlen veszély esetén.




**FIGYELMEZTETÉS**
**FIGYELMEZTETÉS !**

- ▶ Ezzel a szóval hívjuk fel a figyelmet egy olyan lehetséges veszélyre, amely súlyos személyi sérüléshez vagy halálhoz vezethet.


**VIGYÁZAT**
**VIGYÁZAT !**

- ▶ Ezzel a szóval hívjuk fel a figyelmet egy lehetséges veszélyhelyzetre, amely személyi sérüléshez vagy anyagi kárhoz vezethet.

**1.2.2 Szimbólumok a használati utasításban**

A jelen használati utasítás a következő szimbólumokat használja:

	Tartsa be a használati utasítást
	Alkalmazási útmutatók és más hasznos tudnivalók
	Újrahasznosítható anyagokkal való bánásmód
	Az elektromos gépeket és akkukat ne dobja a háztartási szemétkébe

**1.2.3 Az ábrákon használt szimbólumok**

Az ábrákon a következő szimbólumokat használjuk:

	Ezek a számok a jelen használati utasítás elején található ábrákra vonatkoznak.
	Az ábrák számozása a fontos munkalépésekre vagy fontos részegységekre utal. A szövegben ezeket a munkalépéseket vagy részegységeket megfelelő számokkal emelik ki, pl. <b>(3)</b> .
	Az <b>áttekintő</b> ábrában használt pozíciószámok a <b>termék áttekintésére szolgáló</b> szakasz jelmagyarázatában lévő számokra utalnak.
	Ez a jel hívja fel a figyelmét arra, hogy a termék használata során különös odafigyeléssel kell eljárnia.

**1.3 Jelmagyarázat**
**1.3.1 Szimbólumok a terméken**

A következő szimbólumokat használjuk a terméken:

	Vésés
	Véső pozicionálása
	II. érintésvédelmi osztály (kettős szigetelés)
$n_0$	Névleges üresjárat fordulatszám
	Viseljen védőkesztyűt

**1.4 Termékinformációk**

A termékeket kizárólag szakember általi használatra szánták és a gépet csak engedéllyel rendelkező, szakképzett személy használhatja, javíthatja. Ezt a személyt minden lehetséges kockázati tényezőről tájékoztatni kell. A termék és tartozékai könnyen veszélyt okozhatnak, ha nem képzett személy dolgozik velük, vagy nem rendeltetésszerűen használják őket.

A típusjelölés és a sorozatszám a típus táblán található.



- ▶ Jegyezze fel a sorozatszámot a következő táblázatba. Amennyiben kérdéssel fordul a képviselőnkhez vagy a szervizhez, szüksége lesz ezekre a termékadatokra.

#### Termékadatok

Vésőkalapács	TE 500-AVR
Generáció	03
Sorozatszám	

### 1.5 Megfelelőségi nyilatkozat

Kizárólagos felelősségünk tudatában kijelentjük, hogy ez a termék megfelel az érvényben lévő irányelveknek és szabványoknak. A megfelelőségi nyilatkozat másolatát a dokumentáció végén találja.

A műszaki dokumentáció helye:

Hilti Entwicklungsgesellschaft mbH | Zulassung Geräte | Hiltistraße 6 | 86916 Kaufering, DE

## 2 Biztonság

### 2.1 Általános biztonsági tudnivalók az elektromos kéziszerszámokhoz

**⚠ FIGYELMEZTETÉS** Olvasson el minden biztonsági tudnivalót és utasítást, illusztrált anyagot és műszaki adatot, amelyet ehhez az elektromos kéziszerszámmal mellékeltek. Az alábbi biztonsági tudnivalók és utasítások betartásának elmulasztása áramütéshez, tűzhöz és/vagy súlyos testi sérüléshez vezethet.

**Őrizzen meg minden biztonsági tudnivalót és utasítást a jövőbeni használathoz.**

A biztonsági utasításokban használt „elektromos kéziszerszám” fogalom hálózatról üzemelő elektromos kéziszerszámokra (tápkábelrel együtt érte) és akkumulátoros elektromos kéziszerszámokra (tápkábel nélküli) vonatkozik.

#### Munkahelyi biztonság

- ▶ **Tartsa tisztán a munkahelyét és jól világítsa meg.** Rendetlen munkahelyek és megvilágítatlan munkaterületek balesetekhez vezethetnek.
- ▶ **Ne dolgozzon az elektromos kéziszerszámmal olyan robbanásveszélyes környezetben, ahol éghető folyadékok, gázok vagy porok vannak.** Az elektromos kéziszerszámok szikrákat bocsáthatnak ki, amelyek meggyújthatják a port vagy a gyúlékony gőzöket.
- ▶ **Tartsa távol a gyerekeket és az idegen személyeket a munkahelytől, ha az elektromos kéziszerszámot használja.** Ha elvonják a figyelmét a munkáról, könnyen elvesztheti az uralmát a berendezés felett.

#### Elektromos biztonsági előírások

- ▶ **Az elektromos kéziszerszám csatlakozódugójának illeszkednie kell a dugaszolóaljzatba. A csatlakozódugót semmilyen módon sem szabad megváltoztatni. Védőföldeléssel ellátott elektromos kéziszerszámokhoz ne használjon csatlakozóadapert.** Az eredeti csatlakozódugó és a hozzá illeszkedő csatlakozóaljzat csökkenti az áramütés kockázatát.
- ▶ **Ne érjen hozzá földelt felületekhez, például csövekhez, fűtőtestekhez, tűzhelyekhez és hűtőszekrényekhez.** Az áramütés veszélye megnövekszik, ha a teste le van földelve.
- ▶ **Tartsa távol az elektromos kéziszerszámokat az esőtől és a nedvesség hatásaitól.** Ha víz hatol be az elektromos kéziszerszámba, az növeli az áramütés kockázatát.
- ▶ **Ne használja a csatlakozókábelt a rendeltetésétől eltérő célokra, vagyis az elektromos kéziszerszámot soha ne hordozza vagy akassza fel a kábelnél fogva, és soha ne húzza ki a hálózati csatlakozódugót a kábelnél fogva. Tartsa távol a csatlakozókábelt hőforrásoktól, olajtól, éles élektől és sarkaktól, mozgó alkatrészekről.** A sérült vagy összetekert csatlakozókábel növeli az áramütés kockázatát.
- ▶ **Ha az elektromos kéziszerszámmal szabadban dolgozik, akkor csak a szabadban való használatra engedélyezett hosszabbítókábel használjon.** A kültérre is alkalmas hosszabbítókábel használata csökkenti az áramütés kockázatát.
- ▶ **Használjon hibaáram-védőkapcsolót, ha az elektromos kéziszerszám nedves környezetben történő üzemeltetése nem kerülhető el.** A hibaáram-védőkapcsoló használata csökkenti az áramütés kockázatát.

#### Személyi biztonsági előírások

- ▶ **Munka közben mindig figyeljen, ügyeljen arra, amit csinál, és meggondoltan dolgozzon az elektromos kéziszerszámmal.** Ne használja az elektromos kéziszerszámot, ha fáradt, illetve



ha kábítószert, alkoholt vagy gyógyszert használ, az elektromos kéziszerszámmal végzett munka közben már egy pillanatnyi figyelmetlenség is komoly sérülésekhez vezethet.

- ▶ **Viseljen személyi védőfelszerelést, és mindig viseljen védőszemüveget.** Az elektromos kéziszerszám alkalmazásának megfelelő személyi védőfelszerelések, úgymint porvédő lóca, csúszásbiztos védőcipő, védősapka és fülvédő használata csökkenti a személyi sérülések kockázatát.
- ▶ **Kerülje az elektromos kéziszerszám akaratlan üzembe helyezését. Mielőtt az elektromos kéziszerszámot az elektromos hálózatra és/vagy az akkumulátorra csatlakoztatja, vagy felveszi, ill. szállítja, győződjön meg arról, hogy a gép ki van kapcsolva.** Ha az elektromos kéziszerszám felemelése közben az ujját a kapcsolón tartja, vagy ha a gépet bekapcsolt állapotban csatlakoztatja az áramforráshoz, az balesethez vezethet.
- ▶ **Az elektromos kéziszerszám bekapcsolása előtt feltétlenül távolítsa el a beállító szerszámokat vagy csavar kulcsokat.** Az elektromos kéziszerszám forgó részeiben felejtett beállító szerszám vagy csavar kulcs sérüléseket okozhat.
- ▶ **Kerülje el a normálístól eltérő testtartást. Ügyeljen arra, hogy mindig biztosan álljon és megtartsa az egyensúlyát.** Így az elektromos kéziszerszám felett váratlan helyzetekben is jobban tud uralkodni.
- ▶ **Viseljen megfelelő munkaruhát. Ne viseljen bő ruhát vagy ékszereket. Tartsa távol a haját, a ruháját és a kesztyűjét a mozgó részekről.** A bő ruhát, az ékszereket és a hosszú haját a mozgó alkatrészek magukkal rántathatják.
- ▶ **Ha az elektromos kéziszerszámra fel lehet szerelni a por elszívásához és összegyűjtéséhez szükséges berendezéseket, ellenőrizze, hogy azok megfelelő módon hozzá vannak kapcsolva a szerszámhoz, és rendeltetésüknek megfelelően működnek.** Porelszívó egység használata csökkenti a munka során keletkező por veszélyes hatását.
- ▶ **Ne ringassa magát hamis biztonságérzetbe, és ne hagyja figyelmen kívül az elektromos kéziszerszám biztonsági előírásait, akkor sem, ha az elektromos kéziszerszámot hosszú ideje használja, és ezáltal jól ismeri.** A figyelmetlen kezelés a másodperc tört része alatt súlyos sérülésekhez vezethet.

#### **Az elektromos kéziszerszám használata és kezelése**

- ▶ **Ne terhelje túl a gépet. Munkájához csak az arra szolgáló elektromos kéziszerszámot használja.** A megfelelő elektromos kéziszerszámmal a megadott teljesítménytartományon belül jobban és biztonságosabban lehet dolgozni.
- ▶ **Ne használjon olyan elektromos kéziszerszámot, amelynek a kapcsolója elromlott.** Egy olyan elektromos kéziszerszám, amelyet nem lehet sem be-, sem kikapcsolni, veszélyes, és meg kell javíttatni.
- ▶ **A gép beállítása, a tartozékok cseréje vagy a gép lehelyezése előtt húzza ki a csatlakozódugót a csatlakozóaljzatból és/vagy vegye ki a kivehető akkut a gépből.** Ez az elővigyázatossági intézkedés meggátolja a gép szándékolatlan üzembe helyezését.
- ▶ **A használaton kívüli elektromos kéziszerszámokat olyan helyen tárolja, ahol azokhoz gyerekek nem férhetnek hozzá. Ne hagyja, hogy olyan személyek használják az elektromos kéziszerszámot, akik nem ismerik a szerszámot, vagy nem olvasták el ezt az útmutatót.** Az elektromos kéziszerszámok veszélyesek, ha azokat gyakorlatlan személyek használják.
- ▶ **Mindig gondosan tartsa karban az elektromos kéziszerszámot és a tartozékokat. Ellenőrizze, hogy a mozgó alkatrészek kifogástalanul működnek-e, nincsenek-e beszorulva, és nincsenek-e eltörve vagy megrongálódva olyan alkatrészek, amelyek hátrányosan befolyásolhatják az elektromos kéziszerszám működését. Használat előtt javíttassa meg a gép megrongálódott alkatrészeit.** Sok balesetnek a rosszul karbantartott elektromos kéziszerszám az oka.
- ▶ **Tartsa tisztán és élesen a vágószerszámokat.** Az éles vágóélekkel rendelkező és gondosan ápolott vágószerszámok ritkábban ékelődnek be, és azokat könnyebben lehet vezetni és irányítani.
- ▶ **Az elektromos kéziszerszámokat, tartozékokat, betétszerszámokat stb. a jelen utasítások figyelembevételével használja. Vegye figyelembe a munkafeltételeket és a kivitelezendő munka sajátosságait.** Az elektromos kéziszerszám eredeti rendeltetésétől eltérő célokra való alkalmazása veszélyes helyzetekhez vezethet.
- ▶ **A markolatot és fogófelületeket tartsa száraz, tiszta, olaj- és zsírmentes állapotban.** A csúszós markolatok és fogófelületek nem teszik lehetővé az elektromos kéziszerszám biztonságos üzemeltetését és ellenőrzését az előre nem látható helyzetekben.

#### **Szerviz**

- ▶ **Az elektromos kéziszerszámot csak szakképzett személyzet javíthatja, kizárólag eredeti pótalkatrészek felhasználásával.** Ez biztosítja, hogy az elektromos kéziszerszám biztonságos marad.

## **2.2 Biztonsági tudnivalók kalapácsolóhoz**

### **Biztonsági tudnivalók minden munkához**

- ▶ **Viseljen fülvédőt.** A zaj halláskárosodáshoz vezethet.



- ▶ **Használja a géppel együtt szállított kiegészítő fogantyút.** A gép feletti ellenőrzés elvesztése sérülést okozhat.
- ▶ **A gépet a fogantyú szigetelt felületénél fogja meg, ha olyan munkát végez, amelynek során a betétszerszám rejtett elektromos vezetéket vagy a saját elektromos csatlakozókábelét találhatja el.** Ha a gép elektromos feszültséget vezető vezetékhez ér, akkor a gép fémrészei feszültség alá kerülhetnek és ez elektromos áramütéshez vezethet.

## 2.3 Kiegészítő biztonsági tudnivalók

### Személyi biztonsági előírások

- ▶ A gépet csak kifogástalan műszaki állapotban használja.
- ▶ Soha ne végezzen módosításokat vagy változtatásokat a gépen.
- ▶ Áttérési munkáknál biztosítsa a munkavégzés helyszínével szemkötti területet. A letöredező darabok ki-és/vagy leeshetnek, és személyi sérüléseket okozhatnak.
- ▶ A gépet mindig két kézzel tartsa az erre szolgáló markolatoknál. A markolatot tartsa mindig szárazon és tisztán.
- ▶ A markolatot mindig kívül fogja meg.
- ▶ A gép használata során mindig viseljen megfelelő védőszemüveget, védősisakot, fülvédőt, védőkesztyűt és könnyű légzőmaszkot.
- ▶ A szerszámcsere közben is viseljen védőkesztyűt. A betétszerszám megérintése vágási és égési sérüléseket okozhat.
- ▶ Viseljen védőszemüveget. A szilánkok a szem és egyéb testrészek sérüléseit okozhatják.
- ▶ A munka megkezdése előtt tisztázza a munka során keletkező por veszélyességi besorolását. Használjon hivatalosan engedélyezett védelmi osztályú ipari porszivót, amely megfelel a helyi porvédelmi előírásoknak.
- ▶ Lehetőség szerint használjon poreszivót és megfelelő mobil portalanítót. Ólomtartalmú festékek, ásványok, néhány fajtájú beton / téglafalazat / kvarctartalmú kövezet, valamint ásványok és fémek pora káros lehet az egészségre.
- ▶ Gondoskodjon a munkaterület jó szellőzéséről és szükség esetén viseljen az adott porhoz megfelelő légzőmaszkot. Ezen porok belélegzése vagy érintése a gép kezelőjénél vagy a közelében tartózkodóknál allergiás reakciót válthat ki, és/vagy légzési nehézséget okozhat. Bizonyos porok, mint például a tölglyfa vagy a bükkfa pora rákkeltő, különösen ha fazezelési adalékanyagokkal (kromát, favedő anyagok) együtt használják azokat. Az azbeszttartalmú anyagokat csak szakemberek munkálhatják meg.
- ▶ Tartson munkaszüneteket és végezzen gyakorlatokat ujjainak jobb vérellátása érdekében. Hosszabb idejű munkavégzés esetén a rezgések zavart okozhatnak az ujjak, a kéz és a csukló véredényeiben vagy idegrendszerében.

### Elektromos biztonsági előírások

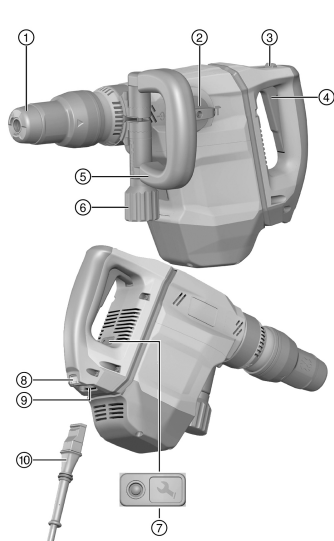
- ▶ A munka megkezdése előtt ellenőrizze a munkaterületet, hogy nincsenek-e rejtett elektromos vezetékek, ill. gáz- és vízcsövek. A külső fémrészek áramütést okozhatnak, ha munka közben véletlenül megsért egy elektromos vezetéket.

### Az elektromos kéziszerszámok gondos kezelése és használata

- ▶ Azonnal kapcsolja ki az elektromos kéziszerszámot, ha a szerszám blokkolt. A gép oldalra kitérhet.
- ▶ Lehelyezés előtt várja meg, hogy az elektromos kéziszerszám leálljon.



#### 3.1 Termékáttekintés



- ① Tokmány
- ② Funkcióválasztó kapcsoló
- ③ Indítókapcsoló
- ④ Indítókapcsoló reteszelése
- ⑤ Oldalsó markolat
- ⑥ Markolatgomb
- ⑦ Szervizjelző
- ⑧ Reteszológomb
- ⑨ Csatlakozó az elektromos gépen
- ⑩ Hálózati kábel kódolt, bontható csatlakozó-dugóval

#### 3.2 Rendeltetésszerű géphasználat

Az ismertetett termék egy elektromos vésőkalapács. Falazatban és betonban végzett közepesen nehéz vésési munkákhoz használható.

- ▶ Csak a típusablán feltüntetett feszültségen és frekvencián szabad a gépet üzemeltetni.

#### 3.3 Active Vibration Reduction (AVR)

A vésőkalapács Active Vibration Reduction (AVR) rendszerrel van felszerelve, amely jelentősen csökkenti a vibrációt.

#### 3.4 Lehetséges hibás használat

- Ez a termék egészségre veszélyes anyagok megmunkálására nem alkalmas.
- Ez a termék nedves környezetben végzett munkához nem alkalmas.
- A terméket csak az adattáblán megadott hálózati feszültséggel és frekvenciával szabad üzemeltetni.

#### 3.5 Szervizjelző

A vésőkalapács világító jelzéssel ellátott szervizjelzővel van felszerelve.

Állapot	Jelentés
A szervizjelző világít.	A gép elérte azt az üzemidőt, amikor szervizelést igényel.
A szervizjelző villog.	A termék károsodása. Javítsa meg a terméket a <b>Hilti Szervizben</b> .

#### 3.6 Szállítási terjedelem

Vésőkalapács, oldalsó markolat, használati utasítás



A termékéhez jóváhagyott további rendszertartozékokat a **Hilti Store** helyen vagy a következő oldalon talál: [www.hilti.group](http://www.hilti.group)





## 4 Műszaki adatok

### 4.1 Vésőkalapács

A készülék névleges feszültségét, névleges áramfelvételét, frekvenciáját, valamint névleges teljesítményfelvételét az adott országra vonatkozó típus táblán találja.

Generátorral vagy transzformátorral való működtetés esetén annak leadott teljesítménye legyen legalább a duplája a gép típus tábláján megadott névleges teljesítményfelvételi értékeknek. A transzformátor vagy a generátor üzemi feszültsége mindig essen a gép névleges feszültségfelvételi értékeinek +5%-os és -15%-os határa közé.

	<b>TE 500-AVR</b>
<b>A 01 EPTA-eljárásnak megfelelő tömeg</b>	6,3 kg

### 4.2 Zajinformációk és rezgési értékek az EN 62841 szabvány szerint

A jelen útmutatókban megadott hangnyomás- és rezgési értékeket egy szabványosított mérési eljárás keretében mértük meg, és alkalmasak elektromos kéziszerszámok egymással történő összehasonlítására. Az értékek emellett alkalmasak az expozíció előzetes megbecslésére.

A megadott adatok az elektromos szerszám fő alkalmazási területeire vonatkoznak. Ha az elektromos kéziszerszámot más célra, eltérő betétszerszámokkal használják, vagy nem megfelelően tartják karban, akkor az adatok eltérőek lehetnek. Ez jelentősen megnövelheti az expozíciókat a munkaidő teljes időtartama alatt.

Az expozíció pontos megbecsléséhez azokat az időszakokat is figyelembe kell venni, amikor az elektromos kéziszerszámot lekapcsolták, vagy a készülék ugyan működik, de ténylegesen nincs használatban. Ez jelentősen csökkentheti az expozíciókat a munkaidő teljes időtartama alatt.

Hozzon kiegészítő intézkedéseket a kezelő védelme érdekében a hang és/vagy a rezgés hatásai ellen, mint például: Elektromos kéziszerszámok és betétszerszámok karbantartása, a gépkezelő kezének melegen tartása, a munkafolyamatok megszervezése.

#### Zajértékek

<b>Hangteljesítményszint (<math>L_{WA}</math>)</b>	104 dB(A)
<b>Hangnyomásszint (<math>L_{pA}</math>)</b>	93 dB(A)
<b>Bizonytalanság (küszöbérték) (<math>K_{pA}</math> és <math>K_{WA}</math>)</b>	3 dB(A)

#### Rezgési összértékek

<b>Vésés (<math>a_{h,Chaq}</math>)</b>	8,2 m/s <sup>2</sup>
<b>Bizonytalanság (rezgési összértékek)</b>	1,5 m/s <sup>2</sup>

## 5 Üzemeltetés

### 5.1 A munkahely előkészítése

#### VIGYÁZAT

**Sérülésveszély!** A termék véletlen elindítása.

- ▶ A gép beállítása vagy az alkatrészek cseréje előtt húzza ki a hálózati csatlakozót.

Vegye figyelembe a dokumentumban és a terméken található biztonsági utasításokat és figyelmeztetéseket.

#### 5.1.1 Oldalsó markolat felszerelése

#### VIGYÁZAT

**Sérülésveszély!** A vésőkalapács feletti uralom elvesztése.

- ▶ Győződjön meg arról, hogy az oldalsó markolat megfelelően van felszerelve és előírászerűen van rögzítve.

1. Előlről tolja a bilincset és az oldalsó markolatot a tokmányon át az erre a célra szolgáló megfelelő horonyba.
2. Helyezze az oldalsó markolatot a kívánt állásba.
3. Szorítsa meg az oldalsó markolatot szorító bilincset a markolatgomb elfordításával.



## 5.1.2 Dugaszolható hálózati kábel csatlakoztatása

### VIGYÁZAT

**Sérülésveszély** beszenyeződött érintkezők esetén a kúszóáramok miatt.

- ▶ A bontható elektromos csatlakozót csak tiszta, száraz és feszültségmentes állapotban csatlakoztassa az elektromos gépre.

1. Vezesse be ütközésig a kódolt, bontható elektromos csatlakozót a gépbe, míg az hallhatóan bereteszel.
2. Helyezze be a gép csatlakozódugóját az aljzatba.

## 5.1.3 Betétszám behelyezése/kivétele

### FIGYELMEZTETÉS

**Sérülésveszély** A szerszám a használat során felforrósodik.

- ▶ A szerszámcsere során viseljen védőkesztyűt.

1. Enyhén zsirozza be a betétszám befogószárait.
2. Helyezze be a betétszámot ütközésig a tokmányba és pattintsa be.
  - ▶ A termék üzemkész.
3. Húzza vissza ütközésig a szerszám reteszelését, és vegye ki a betétszámot.



Csak eredeti **Hilti** gépszirt használjon. Nem megfelelő gépszir használata a termék károsodásához vezethet.

## 5.1.4 Véső pozicionálása



### VIGYÁZAT

**Sérülésveszély** A vésés iránya feletti ellenőrzés elvesztése.

- ▶ A „véső pozicionálása” állásban ne dolgozzon a géppel. Állítsa a funkcióválasztó kapcsolót „vésés” állásba kattánásig.



A vésőt (15°-os lépésközökkel) 24 különböző helyzetbe lehet beállítani. Ezáltal a lapos-, ill. profilvésőkkel mindig optimális munkahelyzetben lehet dolgozni.

1. Állítsa a funkcióválasztó kapcsolót  állásba.
2. Forgassa el a vésőt a kívánt pozícióba.
3. Állítsa a funkcióválasztó kapcsolót  állásba, míg bereteszel.
  - ▶ A gép üzemkész.

## 5.1.5 Dugaszolható hálózati kábel leválasztása az elektromos gépről

1. Húzza ki a hálózati dugót a csatlakozóaljzatból.
2. Nyomja meg a reteszelőgombot, majd húzza ki a kódolt, bontható elektromos csatlakozót.
3. Húzza ki a tápkábelt a gépből.

## 5.2 Munkavégzés

### FIGYELMEZTETÉS

**Áramütés veszélye!** A földelővezeték és hibaáram-védőkapcsoló nem meglete súlyos sérüléshez és égéshez vezethet.

- ▶ Ellenőrizze, hogy az akár hálózati, akár generátorra kötött elektromos tápvezeték rendelkezik csatlakoztatott földelővezetével és hibaáram védőkapcsolóval (FI-relé).
- ▶ Ezen biztonsági óvintézkedések nélkül ne helyezzen terméket üzembe.

### FIGYELMEZTETÉS

**Sérült kábel miatt fellépő veszély!** Ne érintse a vezetéket, ha az munka közben megsérül. Húzza ki a gép csatlakozóvezetékét a dugaszolóaljzatból.

- ▶ Rendszeresen ellenőrizze a gép csatlakozóvezetékét, és sérülés esetén cseréltesse ki egy felhatalmazott szakemberrel.



A teljes munkákat engedélyeztesse az építésvezetővel.

### 5.2.1 Vésés

- ▶ Állítsa a funkcióválasztó kapcsolót **T** állásba.

### 5.2.2 Folyamatos üzem be-/kikapcsolása



Véső üzemmódban, bekapcsolt állapotban a be-/kikapcsoló reteszelt.

1. A folyamatos üzemhez a rögzítógombot tolja előre.
2. Nyomja be teljesen a be-/kikapcsoló gombot.
  - ▶ A termék ekkor folyamatos üzemben működik.
3. A folyamatos üzemhez a rögzítógombot tolja hátra.
  - ▶ A termék kikapcsol.

## 6 Ápolás és karbantartás

### FIGYELMEZTETÉS

**Elektromos áramütés veszélye!** A csatlakoztatott hálózati kábellel végzett ápolás és karbantartás súlyos sérüléseket és égési sérülést okozhat.

- ▶ Minden ápolási és karbantartási munka előtt húzza ki a hálózati csatlakozót!

#### Ápolás

- Óvatosan távolítsa el a szilárdan tapadó szennyeződést.
- Száraz kefével tisztítsa meg óvatosan a szellőzőnyílásokat.
- A házat csak enyhén nedves kendővel tisztítsa. Ne használjon szilikontartalmú ápolószert, mivel az károsíthatja a műanyag alkatrészeket.

#### Karbantartás

### FIGYELMEZTETÉS

**Áramütés veszélye!** Az elektromos alkatrészek nem szakszerű javítása súlyos sérülésekhez és égési sérülésekhez vezethet.

- ▶ A gép elektromos részeit csak szakképzett villamossági szakember javíthatja.
- Rendszeresen ellenőrizze a látható részeket sérülés, illetve a kezelőelemeket kifogástalan működés szempontjából.
- Sérülések és/vagy funkciózavar esetén ne működtesse a terméket. Azonnal javíttassa meg a **Hilti Szervizben**.
- Az ápolási és karbantartási munkák után minden védőfelszerelést szereljen fel, és ellenőrizze a gép működését.



A biztonságos üzemelés érdekében csak eredeti pótalkatrészeket és fogyóanyagokat használjon. Az általunk engedélyezett pótalkatrészeket, fogyóanyagokat és tartozékokat termékéhez megtalálja a **Hilti Store** helyeken vagy az alábbi címen: **www.hilti.group**.

## 7 Szállítás és tárolás

#### Szállítás

- ▶ Ezt a terméket ne szállítsa behelyezett termékkel.
- ▶ Ügyeljen a szállítás közbeni stabil rögzítésre.
- ▶ Minden szállítást követően rendszeresen ellenőrizze a látható részeket sérülés, illetve a kezelőelemeket kifogástalan működés szempontjából.

#### Tárolás

- ▶ A terméket mindig kihúzott hálózati csatlakozóval tárolja.
- ▶ Ezt a terméket száraz helyen, valamint illetéktelen személyek és gyerekek számára nem hozzáférhető módon tárolja.
- ▶ Hosszabb tárolást követően rendszeresen ellenőrizze a látható részeket sérülés, illetve a kezelőelemeket kifogástalan működés szempontjából.



## 8 Segítség zavarok esetén

Az ebben a táblázatban fel nem sorolt zavarok, illetve olyan zavarok esetén, amelyeket saját maga nem tud megjavítani, kérjük, forduljon a **Hilti** Szervizhez.

### 8.1 Segítség zavarok esetén

Üzemzavar	Lehetséges ok	Megoldás
A vésőkalapács nem indul.	A hálózati áramellátás megszakadt.	▶ Csatlakoztasson egy másik elektromos gépet és ellenőrizze a működést.
	Áramkimaradás után az elektronikus indításgátló aktív.	▶ Kapcsolja ki, majd újra be a gépet.
	A generátor készenléti üzemmódban van.	▶ Terhelje a generátort egy második fogyasztóval (pl. építési munkaterület lámpájával). Ezután kapcsolja ki, majd újra be a gépet.
	A gép sérült.	▶ Javíttassa meg a terméket a <b>Hilti</b> Szervizben.
	A szén elkopott.	▶ Ellenőriztesse elektromos szakemberrel, és adott esetben cseréltesse ki.
Nincs ütés.	A gép túl hideg.	▶ Állítsa a vésőkalapácsot a padlóra, és hagyja üresjáratban járni. Szükség esetén ismétlje addig, amíg a kalapácsmű működni nem kezd.
A vésőkalapács nem teljes teljesítménnyel működik.	A hosszabbítóvezeték túl hosszú és/vagy túl kicsi a keresztmetszete.	▶ Megengedett hosszúságú és/vagy elegendő keresztmetszetű hosszabbítóvezetékét használjon.
	Az indítókapcsoló nincs teljesen lenyomva.	▶ Nyomja be ütközésig az indítókapcsolót.
A véső reteszelését nem lehet kioldani.	Nincs teljesen hátrahúzva a tokmány.	▶ Ütközésig húzza vissza a szerszámreteszelt, és vegye ki a szerszámot.
A szervizjelző villog.	A gép sérült.	▶ Javíttassa meg a terméket a <b>Hilti</b> Szervizben.
A szervizjelző világít.	A szén elkopott.	▶ Ellenőriztesse elektromos szakemberrel, és adott esetben cseréltesse ki.
	A gép megsérült, vagy elérte azt az üzemidőt, amikor szervizelést igényel.	▶ A terméket csak <b>Hilti</b> Szervizben javíttassa.

## 9 Ártalmatlanítás

A **Hilti** gépek nagyrészt újrahasznosítható anyagokból készülnek. Az újrahasznosítás előtt az anyagokat gondosan szét kell válogatni. A **Hilti** sok országban már visszaveszi használt gépét újrahasznosítás céljára. Kérdezze meg a **Hilti** ügyfélszolgálatot vagy kereskedelmi tanácsadóját.



- ▶ Az elektromos kéziszerszámokat, elektromos készülékeket és akkukat ne dobja a háztartási szemétkébe!

## 10 RoHS (Veszélyes anyagok alkalmazásának korlátozásáról szóló irányelv)

A következő linkeken elérhető a veszélyes anyagok táblázata: [qr.hilti.com/rxxx](http://qr.hilti.com/rxxx).



A dokumentáció végén található QR-kódon keresztül elérhető a RoHS táblázat.

## 11 Gyártói garancia

- ▶ A jóállás feltételeire vonatkozó kérdéseivel forduljon a helyi **Hilti** partneréhez.

## Перевод оригинального руководства по эксплуатации

### 1 Данные руководства по эксплуатации

#### 1.1 Об этом документе



#### Импортер и уполномоченная изготовителем организация

- (RU) Российская Федерация  
АО "Хилти Дистрибьюшн ЛТД", 141402, Московская область, г. Химки, ул. Ленинградская, стр. 25
- (BY) Республика Беларусь  
222750, Минская область, Дзержинский район, Р-1, 18-й км, 2 (около д. Слободка), помещение 1-34
- (KZ) Республика Казахстан  
Республика Казахстан, индекс 050011, г. Алматы, ул. Пугачева 4
- (KG) Киргизская Республика  
ОсОО "Т AND Т", 720021, Кыргызстан, Бишкек, ул. Ибраимова 29 А
- (AM) Республика Армения  
ООО Эйч-Кон, Республика Армения, г. Ереван, ул. Бабаяна 10/1

Страна производства: см. маркировочную табличку на оборудовании.

Дата производства: см. маркировочную табличку на оборудовании.

Соответствующий сертификат можно найти по адресу: [www.hilti.ru](http://www.hilti.ru)

Специальных требований к условиям хранения, транспортировки и использования, кроме указанных в руководстве по эксплуатации, нет.

Срок службы изделия составляет 10 лет.

- Ознакомьтесь с этим документом перед началом работы. Это является залогом безопасной работы и бесперебойной эксплуатации.
- Соблюдайте указания по технике безопасности и предупреждающие указания, приводимые в данном документе и на изделии.
- Храните руководство по эксплуатации всегда рядом с электроинструментом и передавайте электроинструмент будущим владельцам только вместе с этим руководством.

#### 1.2 Пояснение к знакам

##### 1.2.1 Предупреждающие указания

Предупреждающие указания служат для предупреждения об опасностях при обращении с изделием. Используются следующие сигнальные слова:

**ОПАСНО**

#### **ОПАСНО !**

- ▶ Общее обозначение непосредственной опасной ситуации, которая влечет за собой тяжелые травмы или смертельный исход.

**ПРЕДУПРЕЖДЕНИЕ**

#### **ПРЕДУПРЕЖДЕНИЕ !**

- ▶ Общее обозначение потенциально опасной ситуации, которая может повлечь за собой тяжелые травмы или смертельный исход.



**⚠ ОСТОРОЖНО**

**ОСТОРОЖНО !**

- ▶ Общее обозначение потенциально опасной ситуации, которая может повлечь за собой травмы или повреждение оборудования (материальный ущерб).

**1.2.2 Символы, используемые в руководстве**

В этом руководстве используются следующие символы:

	Соблюдать руководство по эксплуатации
	Указания по эксплуатации и другая полезная информация
	Обращение с материалами, пригодными для вторичной переработки
	Не выбрасывайте электроинструменты и аккумуляторы вместе с бытовым мусором!

**1.2.3 Символы на изображениях**

На изображениях используются следующие символы:

<b>2</b>	Эти цифры указывают на соответствующее изображение в начале данного руководства.
3	Нумерация на иллюстрациях указывает на важные рабочие операции или на компоненты (детали), важные для рабочих операций. В тексте эти рабочие операции или компоненты выделены соответствующими номерами, например <b>(3)</b> .
<b>11</b>	Номера позиций используются в <b>обзорном</b> изображении. В <b>обзоре изделия</b> они указывают на номера в экспликации.
	Этот знак должен привлечь особое внимание пользователя при обращении с изделием.

**1.3 Пояснение к знакам**

**1.3.1 Символы на изделии**

На изделии используются следующие символы:

	Долбление
	Выбор положения зубила
	Класс защиты II (двойная изоляция)
$n_0$	Номинальная частота вращения на холостом ходу
	Используйте защитные перчатки

**1.4 Информация об изделии**

Изделия предназначены для профессионального использования, поэтому они должны обслуживаться и ремонтироваться только уполномоченным и обученным персоналом. Этот персонал должен пройти специальный инструктаж по технике безопасности. Использование изделия и его оснастки не по назначению или его эксплуатация необученным персоналом могут представлять опасность.

Типовое обозначение и серийный номер указаны на заводской табличке.

- ▶ Перепишите серийный номер в нижеприведенную табличную форму. Данные изделия необходимы при обращении в наше представительство или сервисный центр.

**Указания к изделию**

Отбойный молоток	TE 500-AVR
Поколение	03
Серийный номер	



## 1.5 Декларация соответствия нормам

Настоящим мы с полной ответственностью заявляем, что данное изделие соответствует действующим директивам и нормам. Копию декларации соответствия нормам см. в конце этого документа.

Техническая документация (оригиналы) хранится здесь:

Hilti Entwicklungsgesellschaft mbH | Zulassung Geräte | Hiltistraße 6 | 86916 Kaufering, Германия

## 2 Безопасность

### 2.1 Общие указания по технике безопасности для электроинструментов

**⚠ ПРЕДУПРЕЖДЕНИЕ** Изучите все указания по технике безопасности, инструкции, иллюстрации и технические данные, которые прилагаются к данному электроинструменту. Несоблюдение приводимых ниже указаний может привести к поражению электрическим током, пожару и/или тяжелым травмам.

**Сохраните все указания по технике безопасности и инструкции для следующего пользователя.**

Используемый далее термин «электроинструмент» относится к электроинструменту, работающему от электрической сети (с кабелем электропитания) и от аккумулятора (без кабеля электропитания).

#### Безопасность рабочего места

- ▶ **Следите за чистотой и хорошей освещенностью на рабочем месте.** Беспорядок на рабочем месте или плохое освещение могут привести к несчастным случаям.
- ▶ **Не используйте электроустройство/электроинструмент во взрывоопасной зоне, где имеются горючие жидкости, газы или пыль.** При работе электроустройство/электроинструмент искрит, и искры могут воспламенить пыль или пары/газы.
- ▶ **Не разрешайте детям и посторонним приближаться к работающему электроустройству/электроинструменту.** Отвлекаясь от работы, можно потерять контроль над электроустройством/электроинструментом.

#### Электрическая безопасность

- ▶ **Соединительная вилка электроинструмента должна соответствовать розетке электросети. Не изменяйте конструкцию вилки! Не используйте переходные вилки с электроинструментами с защитным заземлением.** Использование оригинальных вилок и соответствующих им розеток снижает риск поражения электрическим током.
- ▶ **Избегайте непосредственного контакта с заземленными поверхностями, например с трубами, отопительными приборами, газо-/электропластинами и холодильниками.** При контакте с заземленными предметами возникает повышенный риск поражения электрическим током.
- ▶ **Предохраняйте электроинструменты от дождя или воздействия влаги.** В результате попадания воды в электроинструмент возрастает риск поражения электрическим током.
- ▶ **Не используйте кабель электропитания не по назначению, например для переноски электроинструмента, его подвешивания или для выдергивания вилки из розетки электросети. Защищайте кабель электропитания от воздействий высоких температур, масла, острых кромок или вращающихся деталей/узлов.** В результате повреждения или схлестывания кабелей электропитания повышается риск поражения электрическим током.
- ▶ **Если работы с электроинструментом выполняются на открытом воздухе, применяйте только удлинительные кабели, которые разрешено использовать вне помещений.** Использование удлинительного кабеля, пригодного для использования вне помещений, снижает риск поражения электрическим током.
- ▶ **Если избежать работы с электроинструментом в условиях влажности не представляется возможным, используйте автомат защиты от тока утечки.** Использование автомата защиты от тока утечки снижает риск поражения электрическим током.

#### Безопасность персонала

- ▶ **Будьте внимательны, следите за своими действиями и серьезно относитесь к работе с электроинструментом. Не пользуйтесь электроинструментом, если вы устали или находитесь под действием наркотиков, алкоголя или медикаментов.** Незначительная ошибка при невнимательной работе с электроинструментом может стать причиной серьезного травмирования.
- ▶ **Используйте средства индивидуальной защиты и всегда надевайте защитные очки.** Использование средств индивидуальной защиты, например респиратора, защитной обуви на нескользящей подошве, защитной каски или защитных наушников, в зависимости от вида и условий эксплуатации электроинструмента, снижает риск травмирования.
- ▶ **Избегайте непреднамеренного включения электроинструмента. Убедитесь в том, что электроинструмент выключен, прежде чем подключить его к электропитанию и/или вставить**



**аккумулятор, поднимать или переносить электроинструмент.** Ситуации, когда при переносе электроинструмента палец находится на выключателе или когда включенный электроинструмент подключается к электросети, могут привести к несчастным случаям.

- ▶ **Перед включением электроинструмента удалите регулировочные приспособления или гаечные ключи.** Рабочий инструмент или гаечный ключ, находящийся во вращающейся части электроинструмента, может стать причиной получения травм.
- ▶ **Старайтесь избегать неестественных поз при работе. Постоянно сохраняйте устойчивое положение и равновесие.** Это позволит лучше контролировать электроинструмент в непредвиденных ситуациях.
- ▶ **Носите спецодежду. Не надевайте очень свободную одежду или украшения. Оберегайте волосы, одежду и защитные перчатки от вращающихся узлов электроинструмента.** Свободная одежда, украшения и длинные волосы могут быть захвачены ими.
- ▶ **Если предусмотрено подсоединение устройств для удаления и сбора пыли, убедитесь в том, что они подсоединены и используются по назначению.** Использование пылеудаляющего аппарата снижает вредное воздействие пыли.
- ▶ **Не пребывайте в ложной уверенности в собственной безопасности и не пренебрегайте правилами техники безопасности для электроинструментов, даже если вы являетесь опытным пользователем электроинструмента.** Неосторожное обращение может в течение долей секунды стать причиной получения тяжелых травм.

#### **Использование и обслуживание электроинструмента**

- ▶ **Не допускайте перегрузки электроинструмента. Используйте электроинструмент, предназначенный именно для данной работы.** Соблюдение этого правила обеспечит более высокое качество и безопасность работы в указанном диапазоне мощности.
- ▶ **Не используйте электроинструмент с неисправным выключателем.** Электроинструмент, включение или выключение которого затруднено, представляет опасность и должен быть отремонтирован.
- ▶ **Прежде чем приступить к регулировке электроинструмента, замене принадлежностей или перед перерывом в работе выньте вилку из розетки и/или аккумулятор из электроинструмента.** Данная мера предосторожности позволит предотвратить непреднамеренное включение электроинструмента.
- ▶ **Храните неиспользуемые электроинструменты в местах, недоступных для детей. Не позволяйте использовать электроинструмент лицам, которые не ознакомлены с ним или не читали эти инструкции.** Электроинструменты представляют собой опасность в руках неопытных пользователей.
- ▶ **Бережно обращайтесь с электроинструментами и принадлежностями. Проверяйте безупречное функционирование подвижных частей, легкость их хода, целостность и отсутствие повреждений, которые могли бы отрицательно повлиять на работу электроинструмента. Сдавайте поврежденные части электроинструмента в ремонт до его использования.** Причиной многих несчастных случаев является несоблюдение правил технического обслуживания электроинструментов.
- ▶ **Необходимо следить за тем, чтобы режущие инструменты были острыми и чистыми.** Заклинивание содержащихся в надлежащем состоянии режущих инструментов происходит реже, ими легче управлять.
- ▶ **Применяйте электроинструмент, принадлежности (оснастку), рабочие инструменты и т. д. согласно данным указаниям. Учитывайте при этом рабочие условия и характер выполняемой работы.** Использование электроинструментов не по назначению может привести к опасным ситуациям.
- ▶ **Замасленные рукоятки и поверхности для хвата немедленно очищайте — они должны быть сухими и чистыми.** Скользкие рукоятки и поверхности для хвата не обеспечивают безопасное управление и контроль электроинструмента в непредвиденных ситуациях.

#### **Сервис**

- ▶ **Доверяйте ремонт своего электроинструмента только квалифицированному персоналу, использующему только оригинальные запчасти.** Этим обеспечивается поддержание электроинструмента в безопасном и исправном состоянии.

## **2.2 Указания по технике безопасности при работе с перфораторами**

### **Указания по технике безопасности при выполнении любых работ**

- ▶ **Надевайте защитные наушники.** В результате воздействия шума возможна потеря слуха.
- ▶ **Используйте дополнительные рукоятки, которые входят в комплект инструмента.** Потеря контроля над инструментом может привести к травмам.





- ▶ При опасности повреждения рабочим инструментом скрытой электропроводки или сетевого кабеля держите электроинструмент за изолированные поверхности. При контакте с токопроводящими предметами незащищенные металлические части электроинструмента находятся под напряжением, что может привести к поражению электрическим током.

### 2.3 Дополнительные указания по технике безопасности

#### Безопасность персонала

- ▶ Используйте электроинструмент только в технически исправном состоянии.
- ▶ Внесение изменений в конструкцию электроинструмента или его модификация категорически запрещаются.
- ▶ При изготовлении сквозных проемов ограждайте опасную зону с противоположной стороны стены. Вылетающие наружу и/или падающие вниз осколки могут травмировать других людей.
- ▶ Всегда надежно удерживайте электроинструмент обеими руками за предусмотренные для этого рукоятки. Следите за тем, чтобы рукоятки были сухими и чистыми.
- ▶ Беритесь за боковую рукоятку всегда с наружной стороны.
- ▶ При работе с электроинструментом надевайте подходящие защитные очки, защитную каску, защитные наушники, защитные перчатки и легкий респиратор.
- ▶ При замене рабочего инструмента надевайте защитные перчатки. Соблюдайте осторожность при замене рабочего инструмента — контакт с ним может привести к порезам и ожогам.
- ▶ Пользуйтесь защитными очками. Осколки материала могут травмировать тело и глаза.
- ▶ Перед началом работы выясните (по обрабатываемому материалу) класс опасности возникающей пыли. Для работы с электроинструментом используйте строительный (промышленный) пылесос, степень защиты которого соответствует нормам пылезащиты, действующим в месте эксплуатации.
- ▶ По возможности используйте систему пылеудаления с подходящим мобильным пылеудаляющим аппаратом. Пыль, возникающая при обработке лакокрасочных покрытий, содержащих свинец, некоторых видов древесины, бетона/кирпичной и каменной кладки с частицами кварца, минералов, а также металла может представлять опасность для здоровья.
- ▶ Обеспечьте оптимальную вентиляцию рабочей зоны и при необходимости надевайте респиратор, который подходит для защиты от конкретного вида пыли. Вдыхание частиц такой пыли или контакт с ней может стать причиной появления аллергических реакций и/или заболеваний дыхательных путей как у пользователя, так и находящихся вблизи лиц. Некоторые виды пыли (например, пыль, возникающая при обработке дуба или бука) считаются канцерогенными, особенно в комбинации с дополнительными материалами, используемыми для обработки древесины (соль хромовой кислоты, средства защиты древесины). К работам с асбестосодержащим материалом должны допускаться только специалисты.
- ▶ Чтобы во время работы руки не затекали, время от времени делайте упражнения для расслабления и разминки пальцев. При длительной работе возникающие вибрации могут привести к нарушениям кровоснабжения сосудов или в нервных окончаниях пальцев/кистей рук или в запястьях.

#### Электрическая безопасность

- ▶ Перед началом работы проверяйте рабочее место на наличие скрытой электропроводки, газо- и водопроводных труб. Открытые металлические части электроинструмента могут стать проводниками электрического тока, если случайно задеть электропроводку.

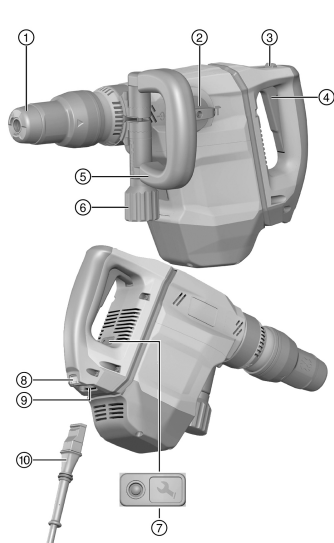
#### Бережное обращение с электроинструментами и их правильная эксплуатация

- ▶ Немедленно выключайте электроинструмент в случае блокировки рабочего инструмента. Электроинструмент может увести в сторону.
- ▶ Дождитесь, пока электроинструмент полностью не остановится, прежде чем отложить его в сторону.



### 3 Описание

#### 3.1 Обзор изделия



- ① Зажимной патрон
- ② Переключатель режимов работы
- ③ Выключатель
- ④ Фиксатор выключателя
- ⑤ Боковая рукоятка
- ⑥ Винт с накатанной головкой
- ⑦ Сервисный индикатор
- ⑧ Кнопка фиксации
- ⑨ Подключение к электроинструменту
- ⑩ Кабель электропитания с разъемным штекерным соединителем с кодировкой

#### 3.2 Использование по назначению

Описываемое изделие представляет собой электрический отбойный молоток, предназначенный для несложных долбежных работ по кирпичной кладке и бетону.

- ▶ Его эксплуатация возможна только при напряжении и частоте электросети, которые соответствуют указанным на заводской табличке.

#### 3.3 Active Vibration Reduction (AVR)

Отбойный молоток оснащен системой Active Vibration Reduction (AVR), которая обеспечивает заметное снижение уровня вибрации.

#### 3.4 Возможное использование не по назначению

- Этот электроинструмент не предназначен для обработки опасных для здоровья материалов.
- Этот электроинструмент не предназначен для выполнения работ во влажной среде.
- Эксплуатация электроинструмента возможна только при напряжении и частоте электросети, которые соответствуют указанным на заводской табличке.

#### 3.5 Сервисный индикатор

Отбойный молоток оснащен сервисным индикатором со световым сигналом.

Состояние	Значение
Сервисный индикатор горит непрерывно.	Срок службы электроинструмента достиг предела, при котором требуется сервисное обслуживание.
Сервисный индикатор мигает.	Имеет место повреждение электроинструмента. Сдайте электроинструмент для ремонта в сервисный центр <b>Hilti</b> .



### 3.6 Комплект поставки

Отбойный молоток, боковая рукоятка, руководство по эксплуатации.

Другие системные принадлежности, допущенные для использования с этим устройством, вы можете найти в **Hilti Store** или на сайте **www.hilti.group**.

## 4 Технические данные

### 4.1 Отбойный молоток

Номинальное напряжение, номинальный ток, частота и номинальная потребляемая мощность указаны на заводской табличке (данные могут варьироваться в зависимости от экспортного исполнения).

При запитывании от генератора/трансформатора его выходная мощность должна быть как минимум вдвое выше номинальной потребляемой мощности, которая указана на заводской табличке электроинструмента. Рабочее напряжение трансформатора или генератора должно всегда находиться в диапазоне между +5 % и -15 % номинального напряжения электроинструмента.

	<b>TE 500-AVR</b>
<b>Масса согласно методу EPTA 01</b>	6,3 кг

### 4.2 Данные по шуму и вибрациям согласно EN 62841

Приводимые здесь значения уровня звукового давления и вибрации были измерены согласно стандартизированной процедуре измерения и могут использоваться для сравнения электроинструментов между собой. Они также подходят для предварительной оценки вредных воздействий.

Указанные данные применимы к основным областям применения электроинструмента. Однако, если электроинструмент используется для других целей, с другими рабочими (сменными) инструментами или в случае его неудовлетворительного технического обслуживания, данные могут быть иными. Вследствие этого в течение всего периода работы электроинструмента возможно значительное увеличение вредных воздействий.

Для точного определения вредных воздействий следует также учитывать промежутки времени, в течение которых электроинструмент находится в выключенном состоянии или работает холостую. Вследствие этого в течение всего периода работы электроинструмента возможно заметное уменьшение вредных воздействий.

Примите дополнительные меры безопасности для защиты пользователя от воздействия возникающего шума и/или вибраций, например: техническое обслуживание электроинструмента и рабочих (сменных) инструментов, сохранение тепла рук, правильная организация рабочих процессов.

#### Данные о шуме

<b>Уровень звуковой мощности (<math>L_{WA}</math>)</b>	104 дБ(А)
<b>Уровень звукового давления (<math>L_{pA}</math>)</b>	93 дБ(А)
<b>Погрешность (значения шума) (<math>K_{pA}</math> и <math>K_{WA}</math>)</b>	3 дБ(А)

#### Общие значения вибрации

<b>Долбление (<math>a_{h, Cheq}</math>)</b>	8,2 м/с <sup>2</sup>
<b>Погрешность (общие значения вибрации)</b>	1,5 м/с <sup>2</sup>

## 5 Эксплуатация

### 5.1 Подготовка к работе

#### **ОСТОРОЖНО**

**Опасность травмирования!** Непреднамеренное включение электроинструмента

- Перед регулировкой электроинструмента или заменой принадлежностей вынимайте вилку из розетки электросети.



Соблюдайте указания по технике безопасности и предупреждающие указания, приводимые в данном документе и на изделии.

### 5.1.1 Установка боковой рукоятки 2

#### ОСТОРОЖНО

**Опасность травмирования** Потеря контроля над отбойным молотком.

► Убедитесь в том, что боковая рукоятка правильно установлена и надежно закреплена.

1. Установите фиксатор (фиксирующее кольцо) и боковую рукоятку спереди через патрон в предусмотренный для этого паз.
2. Установите боковую рукоятку в нужное положение.
3. Поверните винт с накатанной головкой, чтобы зажать фиксатор (фиксирующее кольцо) боковой рукоятки.

### 5.1.2 Подсоединение съемного кабеля электропитания

#### ОСТОРОЖНО

**Опасность травмирования** вследствие токов (поверхностной) утечки при загрязнении контактов

► Разъемный штекерный соединитель следует подключать к электроинструменту только в чистом, сухом и обесточенном состоянии.

1. Вставьте разъемный штекерный соединитель с кодировкой до упора в соответствующий разъем на электроинструменте.
2. Вставьте вилку кабеля электропитания в сетевую розетку.

### 5.1.3 Установка/извлечение рабочего инструмента 3

#### ПРЕДУПРЕЖДЕНИЕ

**Опасность травмирования** Рабочий инструмент по ходу работы может нагреваться.

► При замене рабочего инструмента надевайте защитные перчатки.

1. Слегка смажьте хвостовик рабочего инструмента.
2. Вставьте рабочий инструмент до упора в зажимной патрон до фиксации.
  - Электроинструмент готов к работе.
3. Оттяните патрон до упора назад и извлеките рабочий инструмент.



Используйте только оригинальную пластичную смазку фирмы **Hilti**. Использование неподходящей пластичной смазки может стать причиной повреждений электроинструмента.

### 5.1.4 Выбор положения зубила 4

#### ОСТОРОЖНО

**Опасность травмирования** Потеря контроля над направлением долбления

► Не работайте с электроинструментом, если переключатель режимов работы находится в положении «Выбор положения зубила». Установите переключатель режимов работы в положение «Долбление» (до щелчка).



Для установки зубила предусмотрено 24 различных положения (с шагом 15°). Благодаря этому плоские и фасонные зубила всегда можно установить в оптимально подходящее для работы положение.

1. Установите переключатель режимов работы в положение .
2. Поверните зубило в нужное положение.
3. Переведите переключатель режимов работы в данное положение **T** до щелчка (фиксации).
  - Электроинструмент готов к работе.

### 5.1.5 Отсоединение съемного кабеля электропитания от электроинструмента

1. Выньте вилку кабеля электропитания из сетевой розетки.
2. Нажмите кнопку фиксации и вытяните разъемный штекерный соединитель с кодировкой.



3. Отсоедините кабель электропитания от электроинструмента.

## 5.2 Выполнение работ

### ПРЕДУПРЕЖДЕНИЕ

**Опасность вследствие удара электрического тока!** Отсутствие заземляющего провода и автомата защиты от тока утечки может привести к тяжелым травмам и ожогам.

- ▶ Убедитесь в том, что в проложенном кабеле питания, проходящем от электросети или генератора, всегда имеются подключенные заземляющий провод и автомат защиты от тока утечки.
- ▶ Если эти меры предосторожности не приняты, не эксплуатируйте изделие.

### ПРЕДУПРЕЖДЕНИЕ

**Опасность вследствие поврежденных кабелей!** При повреждении кабеля электропитания или удлинительного кабеля во время работы ни в коем случае не прикасайтесь к ним. Выньте вилку кабеля электропитания из розетки.

- ▶ Регулярно проверяйте кабель электропитания электроинструмента. Замена поврежденного кабеля должна осуществляться специалистом-электриком.

Перед началом работ согласуйте их в полном объеме с начальником строительного участка (прорабом).

### 5.2.1 Долбление

- ▶ Установите переключатель режимов работы в положение **T**.

### 5.2.2 Включение/выключение режима непрерывной работы



В режиме долбления выключатель можно зафиксировать в нажатом положении.

1. Сдвиньте вперед стопорную кнопку для режима непрерывной работы.
2. Нажмите выключатель до упора.
  - ▶ Теперь электроинструмент работает в непрерывном режиме.
3. Сдвиньте стопорную кнопку для режима непрерывной работы назад.
  - ▶ Электроинструмент выключится.

## 6 Уход и техническое обслуживание

### ПРЕДУПРЕЖДЕНИЕ

**Опасность травмирования вследствие удара электрическим током!** Выполнение работ по уходу и обслуживанию с подключенной вилкой кабеля электропитания может привести к тяжелым травмам и ожогам.

- ▶ Перед проведением любых работ по уходу и обслуживанию всегда вынимайте из розетки вилку кабеля электропитания!

### Уход

- Осторожно удаляйте налипшую грязь.
- Осторожно очищайте вентиляционные прорези сухой щеткой.
- Очищайте корпус только с использованием слегка увлажненной ткани. Не используйте средства по уходу с содержанием силикона, поскольку они могут повредить пластиковые детали.

### Техническое обслуживание

### ПРЕДУПРЕЖДЕНИЕ

**Опасность вследствие удара электрического тока!** Неквалифицированный ремонт компонентов электрической части может привести к получению серьезных травм и ожогам.

- ▶ Ремонт электрической части перфоратора поручайте только специалисту-электрику.
- Регулярно проверяйте все видимые части электроинструмента на отсутствие повреждений, а элементы управления — на исправное функционирование.
- При повреждениях и/или функциональных сбоях не используйте электроинструмент. Сразу сдавайте его в сервисный центр **Hilti** для ремонта.



- После ухода за электроинструментом и его технического обслуживания установите все защитные приспособления на место и проверьте их исправное функционирование.



Для обеспечения безопасной эксплуатации используйте только оригинальные запасные части и расходные материалы. Допущенные нами запасные части, расходные материалы и принадлежности для данного изделия вы можете найти в **Hilti Store** или смотрите на [www.hilti.group](http://www.hilti.group).

## 7 Транспортировка и хранение

### Транспортировка

- ▶ Транспортировка этой установки с установленным рабочим инструментом запрещается.
- ▶ Убедитесь в надежной фиксации при транспортировке.
- ▶ Регулярно проверяйте все видимые части установки на отсутствие повреждений, а элементы управления — на исправное функционирование.

### Хранение

- ▶ Храните эту установку всегда с вынутой вилкой кабеля электропитания.
- ▶ Храните эту установку в сухом и недоступном для детей и других лиц, не допущенных к работе, месте.
- ▶ Регулярно проверяйте все видимые части установки на отсутствие повреждений, а элементы управления — на исправное функционирование.

## 8 Помощь при неисправностях

В случае неисправностей, которые не указаны в этой таблице или которые вы не можете устранить самостоятельно, обращайтесь в ближайший сервисный центр **Hilti**.

### 8.1 Помощь при неисправностях

Неисправность	Возможная причина	Решение
Отбойный молоток не включается.	Отсутствует/прервано электропитание.	▶ Подключите другой электроинструмент и проверьте его функционирование.
	Активирована электронная блокировка пуска после сбоя в электропитании.	▶ Выключите электроинструмент, а затем снова включите его.
	Генератор в режиме ожидания	▶ Подключите к генератору второй потребитель (например, прожектор для стройплощадки). Выключите электроинструмент, а затем снова включите его.
	Неисправности в электроинструменте	▶ Сдайте электроинструмент для ремонта в сервисный центр <b>Hilti</b> .
	Изношены угольные щетки.	▶ Вызовите для проверки специалиста-электрика, в случае необходимости замените.
Нет удара.	Электроинструмент слишком холодный.	▶ Установите отбойный молоток на основание и дайте ему поработать в холостом режиме. При необходимости повторяйте процедуру, пока не заработает ударный механизм.
Отбойный молоток работает не на полную мощность.	Удлинительный кабель слишком длинный и/или имеет недостаточное сечение.	▶ Используйте удлинительный кабель допустимой длины и/или с достаточным сечением.



Неисправность	Возможная причина	Решение
Отбойный молоток работает не на полную мощность.	Не полностью нажат основной выключатель.	▶ Нажмите основной выключатель до упора.
Зубило не высвобождается из фиксатора.	Не полностью оттянут (отжат) зажимной патрон.	▶ Оттяните зажимной патрон до упора назад и извлеките рабочий инструмент.
Сервисный индикатор мигает.	Неисправности в электроинструменте	▶ Сдайте электроинструмент для ремонта в сервисный центр <b>Hilti</b> .
Сервисный индикатор горит непрерывно.	Изношены угольные щетки.	▶ Вызовите для проверки специалиста-электрика, в случае необходимости замените.
	Электроинструмент поврежден или срок его службы достиг предела, при котором требуется сервисное обслуживание.	▶ Сдавайте электроинструмент в ремонт только в сервисный центр <b>Hilti</b> .

## 9 Утилизация

Большинство материалов, из которых изготовлены электроинструменты **Hilti**, подлежит вторичной переработке. Перед утилизацией следует тщательно рассортировать материалы (для удобства их последующей переработки). Во многих странах фирма **Hilti** уже организовала прием старых (электро)инструментов (изделий) для утилизации. Дополнительную информацию по этому вопросу можно получить в отделе по обслуживанию клиентов или у консультантов по продажам фирмы **Hilti**.



- ▶ Не выбрасывайте электрические инструменты, электронные устройства/приборы и аккумуляторы вместе с обычным мусором!

## 10 RoHS (Директива об ограничении применения опасных веществ)

По этим ссылкам доступна таблица опасных веществ: [qr.hilti.com/rxxx](http://qr.hilti.com/rxxx).

Ссылку в виде QR-кода на таблицу опасных веществ согласно директиве RoHS см. в конце этого документа.

## 11 Гарантия производителя

- ▶ С вопросами по поводу гарантийных условий обращайтесь в ближайшее представительство **Hilti**.

# Оригінальна інструкція з експлуатації

## 1 Інформація щодо інструкції з експлуатації

### 1.1 Про цю інструкцію з експлуатації

- Перш ніж розпочинати роботу з інструментом, прочитайте цю інструкцію з експлуатації. Це є передумовою безпечної роботи та відсутності несправностей під час застосування інструмента.
- Дотримуйтеся попереджувальних вказівок та вказівок з техніки безпеки, наведених у цій інструкції з експлуатації та на корпусі інструмента.
- Завжди зберігайте інструкцію з експлуатації поблизу виробу та передавайте його іншим особам тільки разом із цією інструкцією з експлуатації.

### 1.2 Пояснення символів

#### 1.2.1 Попереджувальні вказівки

Попереджувальні вказівки інформують користувача про фактори небезпеки, пов'язані із застосуванням інструмента. Використовуються такі сигнальні слова:



### НЕБЕЗПЕКА

#### НЕБЕЗПЕКА !

- ▶ Указує на безпосередню небезпеку, що може призвести до отримання тяжких тілесних ушкоджень або навіть до смерті.

### ПОПЕРЕДЖЕННЯ

#### ПОПЕРЕДЖЕННЯ !

- ▶ Указує на потенційно небезпечну ситуацію, яка може призвести до отримання тяжких тілесних ушкоджень або навіть смерті.

### ОБЕРЕЖНО

#### ОБЕРЕЖНО !

- ▶ Указує на потенційно небезпечну ситуацію, яка може призвести до отримання тілесних ушкоджень або до матеріальних збитків.

### 1.2.2 Символи в інструкції з експлуатації

У цій інструкції з експлуатації використовуються такі символи:

	Дотримуйтеся вказівок, наведених в інструкції з експлуатації
	Указівки щодо експлуатації та інша корисна інформація
	Поводження з матеріалами, придатними для вторинної переробки
	Не викидайте електроінструменти і акумуляторні батареї у баки для побутового сміття

### 1.2.3 Символи на ілюстраціях

На ілюстраціях використовуються такі символи:

	Цифрами позначаються відповідні ілюстрації, наведені на початку цієї інструкції з експлуатації.
	Наведена на рисунках нумерація позначає порядок виконання важливих робочих кроків або показує важливі деталі, необхідні для виконання цих робочих кроків. У тексті ці робочі кроки або деталі виділяються відповідними цифрами, наприклад (3).
	Номера позицій, наведені <b>на оглядовій ілюстрації</b> , відповідають номерам у легенді, що представлена у розділі « <b>Огляд продукту</b> ».
	Цей символ позначає аспекти, на які слід звернути особливу увагу під час застосування інструмента.

### 1.3 Пояснення символів

#### 1.3.1 Символи на інструменті

На інструменті наведені такі символи:

	Довбання отворів
	Позиціонування зубила
	Клас захисту II (подвійна ізоляція)
	Номінальна швидкість обертання під час холостого ходу
	Використовуйте захисні рукавиці





## 1.4 Інформація про інструмент

Інструменти призначені для професійного використання, а тому їхню експлуатацію, технічне обслуговування та ремонт слід доручати лише авторизованому персоналу зі спеціальною підготовкою. Цей персонал повинен бути спеціально проінструктований про можливі ризики. Інструмент та допоміжне приладдя можуть стати джерелом небезпеки у разі їхнього неправильного застосування некваліфікованим персоналом або у разі використання не за призначенням.

Тип та серійний номер зазначені на заводській табличці.

- ▶ Перепишіть серійний номер у наведену нижче таблицю. При оформленні запитів до нашого представництва та до сервісної служби вказуйте інформацію про інструмент.

### Інформація про інструмент

Відбійний молоток	TE 500-AVR
Версія	03
Серійний номер	

## 1.5 Сертифікат відповідності

Зі всією належною відповідальністю заявляємо, що описаний у цьому документі інструмент відповідає діючим директивам і стандартам. Копія сертифіката відповідності наведена у кінці цього документа.

Технічна документація зазначена нижче:

Hilti Entwicklungsgesellschaft mbH | Zulassung Geräte | Hiltistraße 6 | 86916 Kaufering, DE

## 2 Безпека

### 2.1 Загальні вказівки з техніки безпеки при роботі з електроінструментами

**⚠ ПОПЕРЕДЖЕННЯ!** Уважно прочитайте усі вказівки та інструкції з техніки безпеки, ознайомтеся з малюнками та технічними даними цього електроінструмента. Щонайменше недотримання наведених нижче вказівок може призвести до ураження електричним струмом, займання та/або отримання тяжких травм.

**Збережіть всі інструкції та вказівки з техніки безпеки – вони можуть знадобитися Вам у майбутньому.**

Термін «електроінструмент», який використовується у вказівках з техніки безпеки, позначає як електроінструменти, що працюють від електричної мережі (із кабелем живлення), так і електроінструменти, що працюють від акумуляторної батареї (без кабелю живлення).

#### Безпека на робочому місці

- ▶ **Дбайте про чистоту та достатнє освітлення робочого місця.** Безлад на робочому місці та недостатнє освітлення можуть стати причиною нещасних випадків.
- ▶ **Не працюйте з електроінструментом у вибухонебезпечному середовищі, що містить легкозаймисті рідини, газу або пил.** Під час роботи електроінструментів утворюються іскри, від яких можуть зайнятися легкозаймисті випари або пил.
- ▶ **Подбайте про те, щоб під час використання електроінструмента поблизу не було дітей та сторонніх осіб.** Щонайменше відволікання може призвести до втрати контролю над інструментом.

#### Електрична безпека

- ▶ **Штепсельна вилка електроінструмента повинна підходити до розетки живлення. Забороняється вносити зміни до конструкції штепсельної вилки. Не дозволяється застосовувати перехідні штепсельні вилки в електроінструментах із захисним заземленням.** У разі використання оригінальних штепсельних вилок і відповідних розеток знижується ризик ураження електричним струмом.
- ▶ **Під час роботи намагайтеся не торкатися заземлених поверхонь, наприклад труб, радіаторів опалення, печей та холодильників.** Якщо Ваше тіло перебуває в контакт з системою заземлення, існує підвищений ризик ураження електричним струмом.
- ▶ **Захищайте електроінструменти від дощу та вологи.** У разі проникнення води в електроінструмент підвищується ризик ураження електричним струмом.
- ▶ **Використовуйте з'єднувальний кабель тільки за призначенням, не переносьте за нього електроінструмент, не користуйтеся ним для підвішування інструмента та не тримайтеся за нього, дістаючи штепсельну вилку з розетки.** Оберегайте з'єднувальний кабель від впливу високих температур, від дії мастил та контакту з гострими кромками або рухомими частинами інструмента. Пошкоджені або заплутані з'єднувальні кабелі підвищують ризик ураження електричним струмом.



- ▶ Працюючи з електроінструментом під відкритим небом, використовуйте лише подовжувальний кабель, придатний для зовнішнього застосування. Використання подовжувального кабелю, призначеного для зовнішнього застосування, зменшує ризик ураження електричним струмом.
- ▶ Якщо неможливо уникнути експлуатації електроінструмента за умов підвищеної вологості, використовуйте автомат захисту від струму витoku. Використання автомата захисту від струму витoku зменшує ризик ураження електричним струмом.

### Безпека персоналу

- ▶ Будьте уважними, зосередьтеся на виконуваній операції, до роботи з електроінструментом ставтеся серйозно. Не користуйтеся електроінструментом, якщо Ви втомлені або перебуваєте під дією наркотичних речовин, алкоголю або лікарських засобів. Під час роботи з електроінструментом не відволікайтеся ні на мить, оскільки це може призвести до отримання серйозних травм.
- ▶ Використовуйте засоби індивідуального захисту і завжди надягайте захисні окуляри. Використання засобів індивідуального захисту, наприклад респіратор, захисного взуття на нековзній підшві, захисного шолома або шумозахисних навушників – залежно від різновиду електроінструмента та особливостей його застосування – зменшує ризик травмування.
- ▶ Уникайте випадкового вмикання електроінструмента. Переконайтеся в тому, що електроінструмент вимкнений, перш ніж вставляти штепсельну вилку в розетку живлення та/або приєднувати акумулятор, піднімати електроінструмент або переносити його. Якщо під час перенесення електроінструмента тримати палець на вимикачі або приєднувати інструмент до джерела живлення увімкненим, це може призвести до нещасного випадку.
- ▶ Перш ніж вмикати електроінструмент, від'єднайте від нього все налагоджувальне приладдя або гайкові ключі. Приладдя або ключ, що знаходяться в обертовому вузлі інструмента, можуть стати причиною отримання травм.
- ▶ Уникайте виконання роботи в незручній позі. Під час виконання робіт ставайте в стійку позу і намагайтеся повсякчас утримувати рівновагу. Це дозволить Вам більш упевнено контролювати електроінструмент у разі виникнення несподіваних обставин.
- ▶ Надягайте відповідний робочий одяг. Не надягайте для роботи занадто просторий одяг та прикраси. Слідуйте за тим, щоб волосся, одяг та робочі рукавиці знаходилися подальше від обертових частин інструмента. Просторий одяг, прикраси або довге волосся можуть бути захоплені рухомими частинами інструмента.
- ▶ Якщо передбачена можливість установа системи пиловидалення та пилосбірників, обов'язково переконайтеся в тому, що вони правильно приєднані й використовуються належним чином. Застосування системи видалення пилу дозволяє зменшити негативний вплив пилу на персонал.
- ▶ Не можна нехтувати правилами безпеки під час роботи з електроінструментами навіть у тому випадку, коли Ви добре знайомі з тим чи іншим електроінструментом. Якщо користуватися інструментом необережно, лише малої частки секунди може бути достатньо для отримання важких травм.

### Використання електроінструмента та належний догляд за ним

- ▶ Не допускайте перенавантаження інструмента. Завжди використовуйте електроінструмент, призначений для виконання відповідної роботи. При використанні належного електроінструмента забезпечуються більш висока якість та безпека виконання робіт у вказаному діапазоні продуктивності.
- ▶ Не використовуйте електроінструмент із пошкодженням вимикачем. Електроінструмент, який неможливо вмикати або вимикати, є небезпечним і підлягає ремонту.
- ▶ Перш ніж розпочинати налаштування інструмента, виконувати заміну приладдя або робити перерву в роботі, не забудьте виїняти штепсельну вилку з розетки та/або виїняти з інструмента змінну акумуляторну батарею. Такий запобіжний захід допоможе уникнути випадкового вмикання електроінструмента.
- ▶ Електроінструменти, що не використовуються, зберігайте в недоступному для дітей місці. Не дозволяйте користуватися інструментом особам, які не ознайомлені з ним або не прочитали ці вказівки. У руках недосвідчених людей електроінструменти являють собою серйозну небезпеку.
- ▶ Електроінструменти та їх приладдя потребують дбайливого догляду. Ретельно перевіряйте, чи бездоганно працюють та чи не заклинають рухомі частини, чи не зламалися або не зазнали інших пошкоджень деталі, від яких залежить справна робота електроінструмента. Перед початком роботи з інструментом пошкоджені деталі слід відремонтувати. Багатьох нещасних випадків можна уникнути за умови належного технічного обслуговування електроінструментів.
- ▶ Слідуйте за тим, щоб ріжучі інструменти завжди залишалися чистими та належним чином заточеними. Дбайливо доглянутий ріжучий інструмент із гострими різальними кромками не так часто заклинається, і з ним легше працювати.



- ▶ Під час експлуатації електроінструмента, приладдя до нього, робочих інструментів тощо дотримуйтеся наведених у цьому документі вказівок. При цьому завжди враховуйте умови в місці виконання робіт та дії, яких вимагає поставлене завдання. Використання електроінструментів не за призначенням може призвести до виникнення небезпечних ситуацій.
- ▶ Слідкуйте за тим, щоб поверхні рукояток були чистими та сухими, та не допускайте їхнього забруднення мастилом. Якщо поверхні рукояток слизькі, це унеможливіє впевнене контролювання електроінструмента у непередбачених ситуаціях.

#### Сервісне обслуговування

- ▶ Доручайте ремонт електроінструмента лише кваліфікованому персоналу зі спеціального підготовки за умови використання тільки оригінальних запасних частин. Це забезпечить функціональність електроінструмента.

## 2.2 Вказівки з техніки безпеки стосовно роботи з перфоратором

### Указівки з техніки безпеки для виконання усіх типів робіт

- ▶ Використовуйте захисні навушники. Тривалий вплив шуму може призвести до втрати слуху.
- ▶ Використовуйте додаткові рукоятки, що входять до комплекту постачання інструмента. Адже втрата контролю над інструментом може стати причиною травмування.
- ▶ Якщо під час виконання робіт змінний робочий інструмент може натрапити на приховану електропроводку або кабель живлення, утримуйте інструмент за ізольовані поверхні рукояток. У разі контакту з електричним дротом, який знаходиться під напругою, металеві деталі інструмента також потраплять під напругу, а це може призвести до ураження електричним струмом.

## 2.3 Додаткові вказівки з техніки безпеки

### Безпека персоналу

- ▶ Користуйтеся лише повністю справним інструментом.
- ▶ Вносити будь-які зміни до конструкції інструмента заборонено.
- ▶ Під час наскрізної обробки укріпіть відповідну ділянку поверхні з протилежного боку деталі. Оскільки можуть розлітатися у різні боки та/або вниз і травмувати інших людей.
- ▶ Завжди міцно тримайте інструмент обома руками за передбачені для цього рукоятки. Слідкуйте за тим, щоб рукоятки були сухими та чистими.
- ▶ Завжди беріться за бокову рукоятку ззовні.
- ▶ Під час роботи з інструментом використовуйте захисні окуляри, шолом, навушники, робочі рукавиці та легкий респіратор.
- ▶ Користуйтеся захисними рукавицями також під час заміни змінного робочого інструмента. Контакт із робочим інструментом може призвести до отримання порізів або опіків.
- ▶ Використовуйте захисні окуляри. Уламки матеріалу можуть завдати поранень або пошкодити очі.
- ▶ Перш ніж розпочинати роботу, з'ясуйте клас небезпеки пилу, що при цьому буде утворюватися. Використовуйте будівельний пилосос затвердженого класу захисту, що відповідає місцевим вимогам щодо захисту від пилу.
- ▶ За можливості використовуйте систему видалення пилу та відповідний пересувний пилосос. Пил, що містить такі матеріали, як фарби із вмістом свинцю, тирсу деяких порід деревини, бетон, цеглу, кварцові гірські породи і мінерали, а також метал, може бути шкідливим для здоров'я.
- ▶ Подбайте про належну вентиляцію робочого місця та користуйтеся респіратором, який підходить до матеріалу, що обробляється. У разі контакту з таким пилом або при його вдиханні у користувача електроінструмента та у людей, що знаходяться поблизу, можуть виникнути алергійні реакції та/або захворювання дихальних шляхів. Деякі різновиди пилу, наприклад деревини дуба і бука, вважаються канцерогенними, особливо у поєднанні з речовинами для обробки деревини (хроматом, засобами для захисту деревини). До обробки матеріалів, що містять азбест, допускаються лише фахівці зі спеціальною підготовкою.
- ▶ Працюйте з перервами та виконуйте вправи на розминання пальців, щоб покращити кровообіг у них. Під час довготривалих робіт вібрація може пошкодити судини або нерви у пальцях, руках або зап'ясткових суглобах.

### Електрична безпека

- ▶ Перед початком роботи перевіряйте робоче місце на наявність прихованих електричних кабелів, газових та водопровідних труб. Якщо Ви під час роботи випадково пошкодите електричні кабелі, контакт з відкритими металевими деталями інструмента може спричинити ураження електричним струмом.

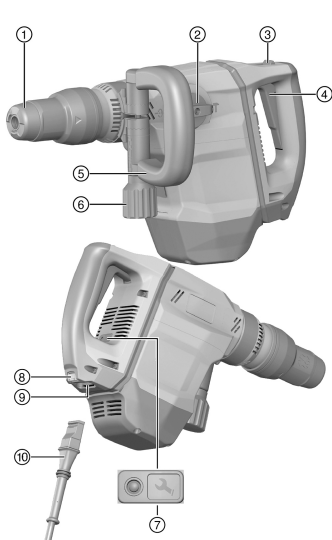


## Належне використання електроінструментів та дбайливий догляд за ними

- ▶ Якщо сталося блокування змінного робочого інструмента, негайно вимкніть інструмент. Інструмент може відхилитися вбік.
- ▶ Зачекайте, доки змінний робочий інструмент повністю зупиниться, перш ніж знімати його з оброблюваного об'єкту.

### 3 Опис

#### 3.1 Огляд продукту



- ① Затискний патрон
- ② Перемикач функцій
- ③ Вимикач
- ④ Фіксатор вимикача
- ⑤ Бокова рукоятка
- ⑥ Ручка-фіксатор
- ⑦ Сервісний індикатор
- ⑧ Кнопка блокування
- ⑨ Роз'єм на електроінструменті
- ⑩ Кабель живлення із рознімним з'єднувачем спеціальної форми

#### 3.2 Використання за призначенням

Описаний у цьому документі інструмент являє собою електричний відбійний молоток. Він призначений для довбальних робіт середньої важкості на цегляній кладці та бетоні.

- ▶ Експлуатація інструмента можлива лише за умови, що напруга і частота мережі живлення відповідають вказаним на заводській табличці значенням.

#### 3.3 Active Vibration Reduction (AVR)

Відбійний молоток оснащений системою Active Vibration Reduction (AVR), яка значно зменшує рівень вібрації.

#### 3.4 Можливі варіанти неналежного використання

- Цей інструмент не призначений для обробки матеріалів, що становлять небезпеку для здоров'я людини.
- Цей інструмент не призначений для використання у вологому середовищі.
- Цей інструмент дозволяється використовувати лише за тієї умови, що параметри напруги та частоти мережі живлення відповідають значенням, наведеним на заводській табличці.

#### 3.5 Сервісний індикатор

Відбійний молоток оснащений сервісним індикатором зі світловим сигналом.

Стан	Значення
Сервісний індикатор горить.	Інструмент потребує планового технічного обслуговування.



Стан	Значення
Сервісний індикатор мигає.	Несправність інструмента. Передайте інструмент до сервісної служби компанії <b>Hilti</b> для здійснення ремонту.

### 3.6 Комплект постачання

Відбійний молоток, бокова рукоятка, інструкція з експлуатації.



Інше приладдя, допущене до експлуатації з Вашим інструментом, Ви можете знайти у **Hilti Store** або на веб-сайті [www.hilti.group](http://www.hilti.group)

## 4 Технічні дані

### 4.1 Відбійний молоток



Номінальна напруга, номінальний струм, частота та номінальна споживана потужність вказані на заводській таблиці інструмента, передбаченій для Вашої країни.

Якщо живлення інструмента здійснюється від генератора або трансформатора, то його вихідна потужність має принаймні вдвічі перевищувати номінальну споживану потужність, вказану на заводській таблиці інструмента. Робоча напруга трансформатора або генератора повинна постійно перебувати у межах від +5 % до -15 % від номінальної напруги інструмента.

	<b>TE 500-AVR</b>
<b>Маса згідно з процедурою EPTA 01</b>	6,3 кг

### 4.2 Дані про шум та значення вібрації, виміряні згідно зі стандартом EN 62841

Наведені у цих рекомендаціях значення звукового тиску та вібрації були виміряні згідно з установленою процедурою вимірювання та можуть використовуватися для порівняння електроінструментів. Вони також придатні для попереднього оцінювання шумового та вібраційного навантаження.

Наведені дані обумовлюють переважні сфери застосування електроінструмента. Однак якщо Ви використовуєте його не за призначенням, застосовуєте нестандартне приладдя або неналежним чином здійснюєте догляд за інструментом, ці дані можуть відрізнитися від вказаних значень. Це може призвести до помітного збільшення шумового та вібраційного навантаження протягом усього робочого часу.

Для більш точної оцінки шумового та вібраційного навантаження необхідно враховувати також проміжний час, протягом яких виріб залишається вимкненим або працює на холостому ходу. Це може значно зменшити вібраційне та шумове навантаження протягом усього робочого часу.

Необхідно також вживати додаткових заходів безпеки з метою захисту працівників від дії шуму та/або вібрації, зокрема: проводити своєчасне технічне обслуговування електроінструмента та змінних робочих інструментів до нього, тримати руки у теплі, належним чином організувати робочий процес.

#### Інформація про шум

<b>Рівень шумової потужності (<math>L_{WA}</math>)</b>	104 дБ(A)
<b>Рівень звукового тиску (<math>L_{pA}</math>)</b>	93 дБ(A)
<b>Похибка (шум) (<math>K_{pA}</math> та <math>K_{WA}</math>)</b>	3 дБ(A)

#### Сумарне значення вібрації

<b>Довбання отворів (<math>a_{h, Cheq}</math>)</b>	8,2 м/с <sup>2</sup>
<b>Похибка (сумарне значення вібрації)</b>	1,5 м/с <sup>2</sup>



## 5 Експлуатація

### 5.1 Підготовка до роботи

#### **ОБЕРЕЖНО**

**Ризик отримання травм!** Випадкове увімкнення інструмента.

- ▶ Виймайте штепсельну вилку кабелю живлення з розетки, перш ніж задавати налаштування інструмента або замінювати приладдя.

Дотримуйтеся попереджувальних вказівок та вказівок з техніки безпеки, наведених у цьому документі та на корпусі інструмента.

#### 5.1.1 Установлення бокової рукоятки 2

#### **ОБЕРЕЖНО**

**Ризик отримання травм** Втрата контролю над відбійним молотком.

- ▶ Переконайтеся в тому, що бокова рукоятка правильно змонтована і належним чином закріплена.

1. Уставте тримач (стягну стрічку) та бокову рукоятку спереду через затискний патрон у відповідний паз.
2. Установіть бокову рукоятку у потрібне положення.
3. Прокрутіть ручку-фіксатор, щоб зафіксувати тримач (стягну стрічку) бокової рукоятки.

#### 5.1.2 Приєднання знімного кабелю живлення

#### **ОБЕРЕЖНО**

**Ризик отримання травм** внаслідок ураження струмом витoku, що утворюється через забруднення контактів.

- ▶ Рознімний з'єднувач кабелю живлення слід приєднувати до електроінструмента тільки у тому випадку, коли інструмент від'єднаний від мережі живлення та знаходиться у чистому сухому стані.

1. Уставте рознімний з'єднувач спеціальної форми, розташований на кінці кабелю живлення, у відповідне гніздо інструмента до упору, доки він не зафіксується із чітким характерним звуком.
2. Уставте штепсельну вилку кабелю живлення в розетку.

#### 5.1.3 Установлення/змінення змінного робочого інструмента 3

#### **ПОПЕРЕДЖЕННЯ**

**Ризик отримання травм** У процесі використання робочий інструмент нагрівається.

- ▶ Під час заміни робочого інструмента користуйтеся захисними рукавицями.

1. Нанесіть мастило тонким шаром на хвостовик змінного робочого інструмента.
2. Установіть змінний робочий інструмент до упору у затискний патрон, щоб зафіксувати його.
  - ▶ Інструмент готовий до роботи.
3. Відведіть фіксатор змінного робочого інструмента назад до упору та вийміть змінний робочий інструмент.



Використовуйте лише оригінальне мастило виробництва компанії **Hilti**. Використання невідповідного консистентного мастила може спричинити несправність виробу.

#### 5.1.4 Позиціонування зубила 4

#### **ОБЕРЕЖНО**

**Ризик отримання травм** Втрата контролю над напрямом зубила.

- ▶ Забороняється працювати, коли перемикач функцій знаходиться в положенні «Позиціонування зубила». Установіть перемикач функцій у положення «Довбання отворів», поки він не зафіксується.



Зубило може бути виставлене в 24 різних позиціях (через кожні 15°). Це надає можливість працювати плоскими та фасонними зубилами в оптимальному для кожного їх різновиду робочому положенні.



1. Установіть перемикач функцій у положення  $\rightarrow$ .
2. Прокрутіть зубило, щоб установити його в потрібне положення.
3. Прокрутіть перемикач функцій, щоб він зафіксувався в положенні **T**.
  - ▶ Інструмент готовий до роботи.

### 5.1.5 Від'єднання знімного кабелю живлення від електроінструмента

1. Вийміть штепсельну вилку кабелю живлення з розетки.
2. Натисніть кнопку блокування та вийміть рознімний з'єднувач спеціальної форми, розташований на кінці кабелю живлення.
3. Вийміть кабель живлення з інструмента.

## 5.2 Під час роботи

### ПОПЕРЕДЖЕННЯ

**Небезпека ураження електричним струмом!** Якщо не використовувати дріт заземлення та автомат захисту від струму витоку, це може призвести до тяжких травм та опіків.

- ▶ Дріт заземлення та автомат захисту від струму витоку завжди повинні бути приєднані до електричного контуру будівельного майданчика – незалежно від того, чи здійснюється живлення від мережі або генератора.
- ▶ Не використовуйте інструмент без цих засобів безпеки.

### ПОПЕРЕДЖЕННЯ

**Небезпека через пошкодження кабелю!** Якщо під час роботи було пошкоджено кабель живлення або подовжувальний кабель, торкатися до них заборонено. Вийміть штепсельну вилку кабелю живлення з розетки.

- ▶ Регулярно перевіряйте з'єднувальний кабель інструмента. Якщо Ви виявили його пошкодження зверніться до фахівця-електрика, щоб замінити кабель.

На виконання всіх робіт обов'язково отримайте дозвіл будівельного управління!

### 5.2.1 Довбання отворів

- ▶ Установіть перемикач функцій у положення **T**.

### 5.2.2 Увімкнення та вимкнення тривалого режиму роботи



У режимі довбання отворів Ви можете зафіксувати вимикач в увімкнутому положенні.

1. Переведіть уперед кнопку з фіксатором для роботи у тривалому режимі.
2. Натисніть на вимикач до упору.
  - ▶ Тепер інструмент працюватиме у тривалому режимі.
3. Переведіть назад кнопку з фіксатором для роботи у тривалому режимі.
  - ▶ Інструмент вимкнеться.

## 6 Догляд і технічне обслуговування

### ПОПЕРЕДЖЕННЯ

**Небезпека ураження електричним струмом!** Здійснення догляду та технічного обслуговування інструмента, що підключений до мережі живлення, може призвести до тяжких травм та опіків.

- ▶ Завжди діставайте штекер кабелю живлення з розетки, перш ніж розпочинати роботи з догляду та технічного обслуговування!

### Догляд

- Обережно видаляйте накопичення бруду.
- Обережно прочищайте вентиляційні прорізи сухою щіткою.
- Протирайте корпус вологою тканиною. Забороняється використовувати миючі засоби, що містять силікон, оскільки вони можуть пошкодити пластмасові деталі.




**ПОПЕРЕДЖЕННЯ**

**Небезпека ураження електричним струмом!** Проведення неавторизованого ремонту електричних частин інструмента може призвести до отримання тяжких травм та опіків.

- ▶ До ремонту електричної частини інструмента залучайте лише фахівця-електрика.
- Регулярно перевіряйте усі зовнішні частини на наявність пошкоджень, а органи керування інструмента – на предмет справної роботи.
- Якщо Ви виявили пошкодження та/або порушення функціональності інструмента, припиніть його використання. негайно зверніться до сервісної служби компанії **Hilti** для здійснення ремонту.
- Після проведення догляду і технічного обслуговування встановіть усі захисні пристрої та перевірте їхню роботу.



Щоб гарантувати належну роботу інструмента, використовуйте тільки оригінальні запасні частини та видаткові матеріали. Рекомендовані запасні частини, видаткові матеріали та приладдя для Вашого інструмента Ви можете придбати у найближчому магазині **Hilti Store** або на веб-сайті [www.hilti.group](http://www.hilti.group).

## 7 Транспортування та зберігання

### Транспортування

- ▶ Забороняється транспортувати інструмент із установленим змінним робочим інструментом.
- ▶ Надійно закріплюйте інструмент під час транспортування.
- ▶ Після транспортування інструмента завжди перевіряйте усі його зовнішні частини на наявність пошкоджень, а органи керування – на предмет справної роботи.

### Зберігання

- ▶ На час зберігання інструмента завжди виймайте його штепсельну вилку з розетки.
- ▶ Зберігайте інструмент у сухому місці, недоступному для дітей та сторонніх осіб.
- ▶ Якщо інструмент знаходився на зберіганні протягом тривалого часу, завжди перевіряйте усі його зовнішні частини на наявність пошкоджень, а органи керування – на предмет справної роботи.

## 8 Допомога у разі виникнення несправностей

У разі виникнення несправностей, які не зазначені у цій таблиці або які Ви не можете полагодити самостійно, зверніться до сервісної служби компанії **Hilti**.

### 8.1 Допомога у разі виникнення несправностей

Несправність	Можлива причина	Рішення
Відбійний молоток не вмикається.	Збій в мережі електроживлення.	▶ Приєднайте інший інструмент до мережі живлення та перевірте його функціональність.
	Електронна система блокування повторного вмикання інструмента після збою в електромережі живлення активована.	▶ Вимкніть інструмент, а потім увімкніть його знову.
	Генератор знаходиться у режимі сну.	▶ Збільште навантаження на генератор, підключивши до нього ще один пристрій (наприклад, освітлювальну лампу для будівельного майданчика). Вимкніть інструмент, а потім увімкніть його знову.
	Інструмент вийшов з ладу.	▶ Передайте інструмент до сервісної служби компанії <b>Hilti</b> для здійснення ремонту.
	Зносилися вугільні щітки.	▶ Для перевірки зверніться до фахівця-електрика і в разі необхідності виконайте заміну.





Несправність	Можлива причина	Рішення
Відсутній удар.	Інструмент занадто холодний.	► Установіть відбійний молоток на робочу поверхню та дайте йому попрацювати на холостому ходу. За необхідності повторіть операцію, доки ударний механізм не почне працювати.
Відбійний молоток працює не на повну потужність.	Подовжувальний кабель занадто довгий та/або має занадто малий поперечний переріз.	► Використовуйте подовжувальний кабель належної довжини та/або з достатнім поперечним перерізом.
	Вимикач неповністю натиснуто.	► Натисніть вимикач до упору.
Зубило неможливо дістати з фіксатора.	Затискний патрон неповністю відведено назад.	► Відведіть фіксатор змінного робочого інструмента назад до упору і вийміть робочий інструмент.
Сервісний індикатор мигає.	Інструмент вийшов з ладу.	► Передайте інструмент до сервісної служби компанії <b>Hilti</b> для здійснення ремонту.
Сервісний індикатор горить.	Зносилися вугільні щітки.	► Для перевірки зверніться до фахівця-електрика і в разі необхідності виконайте заміну.
	Інструмент пошкоджений або потребує планового технічного обслуговування.	► Ремонт інструмента повинен здійснюватися тільки у сервісній службі компанії <b>Hilti</b> .

## 9 Утилізація

Більшість матеріалів, з яких виготовлено інструменти компанії **Hilti**, придатні для вторинної переробки. Передумовою для їхньої вторинної переробки є належне сортування відходів за типом матеріалу. У багатьох країнах світу компанія **Hilti** приймає старі інструменти для їхньої утилізації. Щоб отримати додаткову інформацію з цього питання, звертайтеся до сервісної служби компанії **Hilti** або до свого торгового консультанта.



- Не викидайте електроінструменти, електронні пристрої та акумуляторні батареї у баки для побутового сміття!

## 10 RoHS (директива КНП про обмеження використання небезпечних речовин)

Щоб переглянути таблицю з інформацією про небезпечні речовини, будь ласка, перейдіть за наступними посиланнями: [qr.hilti.com/rxxx](http://qr.hilti.com/rxxx).

Посилання на таблицю з інформацією про речовини, включені до директиви RoHS, наведене наприкінці цього документа у вигляді QR-коду.

## 11 Гарантійні зобов'язання виробника

- З питань гарантії, будь ласка, звертайтеся до найближчого партнера компанії **Hilti**.



# Түпнұсқа пайдалану бойынша нұсқаулық

## 1 Пайдалану бойынша нұсқаулық туралы мәліметтер

### 1.1 Бұл құжаттама туралы



#### Импорттауыш және өндірушінің өкілетті ұйымы

- (RU) Ресей Федерациясы  
"Хилти Дистрибьюшн ЛТД" АҚ, 141402, Мәскеу облысы, Химки қ., Ленинградская көш., ғим. 25
- (BY) Беларусь Республикасы  
222750, Минск облысы, Дзержинский ауданы, Р-1, 18-ші км, 2 (Слободка ауылының жанында), 1-34 бөлімі
- (KZ) Қазақстан Республикасы  
Қазақстан Республикасы, индекс 050011, Алматы қ., Пугачев көш., 4-үй
- (KG) Қырғыз Республикасы  
"Т AND Т" ЖШҚ, 720021, Қырғызстан, Бішкек қ., Ибраимов көш., 29 А үйі
- (AM) Армения Республикасы  
Эйч-Кон ЖШҚ, Армения Республикасы, Ереван қ., Бабаян көш., 10/1 үйі

Өндірілген елі: жабдықтағы белгілеу тақтайшасын қараңыз.

Өндірілген күні: жабдықтағы белгілеу тақтайшасын қараңыз.

Тиісті сертификатты мына мекенжай бойынша табуға болады: [www.hilti.ru](http://www.hilti.ru)

Сақтау, тасымалдау және пайдалану шарттарына пайдалану бойынша нұсқаулықта белгіленгеннен басқа арнайы талаптар қойылмайды.

Өнімнің қызмет ету мерзімі 10 жыл.

- Іске қосу алдында осы құжаттаманы оқып шығыңыз. Бұл қауіпсіз жұмыс пен ақаусыз басқару үшін алғышарт болып табылады.
- Осы құжаттамадағы және өнімдегі қауіпсіздік және ескерту нұсқауларын орындаңыз.
- Пайдалану бойынша нұсқаулықты әрдайым өнімде сақтаңыз және оны басқа тұлғаларға тек осы нұсқаулықпен бірге тапсырыңыз.

### 1.2 Шартты белгілердің анықтамасы

#### 1.2.1 Ескерту

Ескертулер өнімді қолдану барысындағы қауіптер туралы ескертеді. Төмендегі сигналдық сөздер пайдаланылады:

**ҚАУІПТІ**

#### ҚАУІПТІ !

- ▶ Ауыр жарақаттарға әкелетін немесе өмірге қауіп төндіретін тікелей қауіпті жағдайдың жалпы белгіленуі.

**ЕСКЕРТУ**

#### ЕСКЕРТУ !

- ▶ Ауыр жарақаттарға әкелуі немесе өмірге қауіп төндіруі мүмкін ықтимал қауіпті жағдайдың жалпы белгіленуі.

**АБАЙЛАҢЫЗ**

#### АБАЙЛАҢЫЗ !

- ▶ Жарақат алуға немесе мүліктің зақымдалуына әкелуі мүмкін ықтимал қауіпті жағдайдың жалпы белгіленуі.

#### 1.2.2 Пайдалану бойынша нұсқаулықтағы белгілер

Бұл пайдалану бойынша нұсқаулықта төмендегі белгілер пайдаланылады:



	Пайдалану бойынша нұсқаулықты ұстану
	Аспапты пайдалану бойынша нұсқаулар және басқа пайдалы ақпарат
	Қайта пайдалануға болатын материалдармен жұмыс істеу
	Электр аспаптарды және аккумуляторларды тұрмыстық қоқысқа тастамаңыз

### 1.2.3 Суреттердегі белгілер

Суреттерде төмендегі белгілер қолданылады:

	Бұл сандар осы пайдалану бойынша нұсқаулықтың басындағы тиісті суретке сәйкес келеді.
3	Суреттердегі нөмірлер маңызды жұмыс кезеңдерін немесе жұмыс кезеңдері үшін маңызды құрамдас бөлшектерді көрсетеді. Мәтінде бұл жұмыс кезеңдері немесе құрамдас бөлшектері сәйкес сандармен ерекшеленеді, мысалы, (3).
	Позиция нөмірлері <b>Шолу</b> суретінде қолданылады және <b>Өнімге шолу</b> мақаласындағы шартты белгілердің нөмірлеріне сілтейді.
	Аталмыш белгілер өнімді қолдану барысында айрықша назарыңызды аудартады.

## 1.3 Шартты белгілердің анықтамасы

### 1.3.1 Өнімдегі белгілер

Өнімде төмендегі белгілер пайдаланылады:

	Кескішпен өңдеу
	Кескішті орналастыру
	II қорғау класы (қос изоляция)
$P_0$	Жүктемесіз номиналды айналу жиілігі
	Қорғауыш қолғаптарды қолданыңыз

## 1.4 Өнім туралы ақпарат

**HILTI** өнімдері кәсіби пайдаланушыларға арналған және оларды тек қана өкілетті, білікті қызметкерлер пайдалануы, күтім және техникалық қызмет көрсетуі тиіс. Қызметкерлер қауіпсіздік техникасы бойынша арнайы нұсқау алуы керек. Өнім мен оның қосалқы құралдарын басқа мақсатта қолдану немесе олардың оқытылмаған қызметкерлердің тарапынан пайдаланылуы қауіпті.

Түр сипаттамасы мен сериялық нөмір фирмалық тақтайшада берілген.

- ▶ Сериялық нөмірді төмендегі кестеге көшіріп қойыңыз. Өнім туралы мәліметтерді өкілдігімізге немесе қызмет көрсету бөлімімізге сұрау беру арқылы алуға болады.

#### Өнім туралы мәліметтер

Қашайтын балға	TE 500-AVR
Буын	03
Сериялық нөмір	

## 1.5 Сәйкестілік декларациясы

Біз осы нұсқаулықта сипатталған өнімнің қолданыстағы директивалар мен нормативтерге сәйкес келетінін толық жауапкершілікпен жариялаймыз. Сәйкестілік декларациясының суреті осы құжаттаманың соңында орналасқан.

Техникалық құжаттама мына жерде сақталған:

Hilti Entwicklungsgesellschaft mbH | Zulassung Geräte | Hiltistraße 6 | 86916 Kaufering, DE



### 2.1 Электр құралдары үшін қауіпсіздік техникасы бойынша жалпы нұсқаулар

**⚠ ЕСКЕРТУ** Бұл электр құралына арналған барлық қауіпсіздік нұсқауларын, нұсқауларды, суреттерді және техникалық деректерді оқып шығыңыз. Төменде берілген нұсқауларды орындамау электр тогының соғуына, өртке әкелуі мүмкін және/немесе ауыр жарақаттарды тудыруы мүмкін.

**Қауіпсіздік техникасы бойынша барлық нұсқауларды және нұсқауларды келесі пайдаланушы үшін сақтаңыз.**

Қауіпсіздік нұсқауларында қолданылатын «электр құралы» термині электр желісінен (желілік кабельмен) және аккумулятордан (желілік кабельсіз) жұмыс істейтін электр құралын білдіреді.

#### Жұмыс орны

- ▶ **Жұмыс орнындағы тазалықты және тәртіпті қадағалаңыз.** Жұмыс орнындағы ретсіздік және нашар жарық сәтсіз жағдайларға әкелуі мүмкін.
- ▶ **Жанғыш сұйықтықтар, газдар немесе шаң бар жарылыс қаупі бар аймақта электр құралын қолданбаңыз.** Жұмыс кезінде электр құралдары ұшқындар шығады және ұшқындар шаңды немесе буларды тұтандыруы мүмкін.
- ▶ **Балалардың және бөгде адамдардың жұмыс істеп тұрған электр құралына жақындауына рұқсат етпеңіз.** Жұмысқа көңіл бөлмегенде, электр құралын бақылау жоғалуы мүмкін.

#### Электр қауіпсіздігі

- ▶ **Электр құралдың байланыс ашасы электр желісінің розеткасына сай болуы керек. Айырдың конструкциясын өзгертеңіз. Қорғауыш жерге қосуы бар электр құралдарымен бірге өтпелі айырларды қолданбаңыз.** Түпнұсқа айырлар және оларға сай розеткалар электр тогының соғу қаупін азайтады.
- ▶ **Жерге қосылған беттерге, мысалы, құбырларға, жылыту құралдарына, пештерге (плиталарға) және тоңазытқыштарға тікелей тиюді болдырмаңыз.** Жерге қосылған заттарға тигенде электр тогының соғуының үлкен қаупі туындайды.
- ▶ **Электр құралдарды жаңбырдан немесе ылғал әсерінен сақтаңыз.** Электр құралға су тиюі нәтижесінде электр тогының соғу қаупі артады.
- ▶ **Байланыс сымын басқа мақсатта қолданбаңыз, мысалы, электр құралды тасымалдау, оны іліп қою немесе электр желісінің розеткасынан айырды шығару үшін.** Байланыс сымын жылу, май, өткір жиектер немесе жылжымалы бөліктерден алшақ ұстаңыз. Байланыс сымының зақымдалуы немесе қабаттасуы нәтижесінде электр тогының соғу қаупі артады.
- ▶ **Егер жұмыстар ашық ауада орындалса, тек бөлмелерден тыс қолдануға рұқсат етілген ұзартқыш сымдарды пайдаланыңыз.** Бөлмелерден тыс қолдануға жарамды ұзартқыш сымды пайдалану электр тогының соғу қаупін азайтады.
- ▶ **Егер электр құралмен ылғалдылық жағдайларында жұмыс істеуді болдырмау мүмкін емес болса, шығып кететін токтан қорғау автоматын қолданыңыз.** Шығып кететін токтан қорғау автоматын қолдану электр тогының соғу қаупін азайтады.

#### Адамдардың қауіпсіздігі

- ▶ **Ұқыпты болыңыз, әрекеттеріңізге көңіл бөліңіз және электр құралымен жұмыс істеуге дұрыс қараңыз.** Шаршаған кезде немесе есірткі, алкоголь не дәрі қабылдаған соң электр құралын қолданбаңыз. Электр құралын қолданған кездегі зейінсіздік ауыр жарақаттарға апарып соғуы мүмкін.
- ▶ **Жеке қорғану құралдарын пайдаланыңыз және әрқашан міндетті түрде қорғауыш көзілдірікті киіңіз.** Электр құралының түріне және пайдалану жағдайларына байланысты жеке қорғану құралдарын, мысалы, шаңнан қорғайтын респираторды, сырғымайтын аяқ киімді, қорғауыш шлемді, естуді қорғау құралдарын қолдану жарақаттану қаупін азайтады.
- ▶ **Электр құралының кездейсоқ қосылуын болдырмаңыз.** Электр қуатына қосу және/немесе аккумуляторды қою, көтеру немесе тасымалдау алдында электр құралы өшірілгенін көз жеткізіңіз. Электр құралын тасымалдағанда саусақтар сөндіргіште болатын немесе қосылған электр құралы желіге қосылатын жағдайлар сәтсіз жағдайларға әкелуі мүмкін.
- ▶ **Электр құралын қосу алдында реттеуші құрылғыларды және гайка кілтін алыңыз.** Электр құралының айналатын бөлігіндегі аспап немесе кілт жарақаттарға әкелуі мүмкін.
- ▶ **Жұмыс кезінде ыңғайсыз қалыптарға тұрмауға тырысыңыз. Үнемі тұрақты күйді және тепе-теңдікті сақтаңыз.** Бұл күтпеген жағдайларда электр құралын жақсырақ басқаруға мүмкіндік береді.
- ▶ **Арнайы киімді киіңіз. Өте бос киімді немесе әшекейлерді кимеңіз. Шашты, киімді және қолғапты электр құралының айналатын түйіндерінен сақтаңыз.** Бос киім, әшекейлер және ұзын шаш оларға ілінуі мүмкін.



- ▶ Егер шаңды жинау және кетіруге арналған құрылғыларды қосу қарастырылған болса, олар қосылғанына және мақсаты бойынша қолданылып жатқанына көз жеткізіңіз. Шаңды кетіру модулін пайдалану шаңның зиянды әсерін азайтады.
- ▶ Өз мойныңызға қате қауіпсіздік сезімін алмаңыз және электр құралына арналған қауіпсіздік ережелерін бұзбаңыз, тіпті электр құралын жиі қолданатын тәжірибелі пайдаланушы болсаңыз. Мұқиятсыз қолдану бірнеше секундта ауыр жарақаттануға апарып соғуы мүмкін.

#### **Электр құралын қолдану және оған қызмет көрсету**

- ▶ **Аспапқа шамадан тыс жүктеме түсуін болдырмаңыз.** Нақ осы жұмысқа арналған электр құралын қолданыңыз. Бұл ережені сақтау көрсетілген қуат диапазонында жоғарырақ жұмыс сапасын және қауіпсіздігін қамтамасыз етеді.
- ▶ **Сөндіргіші бұзылған электр құралын қолданбаңыз.** Қосу немесе өшіру қиын электр құралы қауіпті және оны жөндеу керек.
- ▶ **Электр құралын реттеуге, саймандарды ауыстыруға кірісу алдында немесе жұмыстағы үзіліс алдында розеткадан ашаны және/немесе электр құралына арналған алмалы-салмалы аккумуляторды шығарыңыз.** Бұл сақтық шарасы электр құралының кездейсоқ қосылуын болдырмайды.
- ▶ **Қолданылмайтын электр құралдарын балалар жетпейтін жерде сақтаңыз.** Аспаппен таным емес немесе осы нұсқауларды оқып шықпаған адамдарға аспапты пайдалануға рұқсат бермеңіз. Электр құралдары тәжірибесі жоқ пайдаланушылардың қолында қауіпті болады.
- ▶ **Электр құралдары мен керек-жарақтарға ұқыпты қараңыз.** Айналмалы бөліктердің мүлтіксіз қызмет ететінін, олардың жүрісінің жеңілдігін, барлық бөліктердің тұтастығын және электр құралының жұмысына теріс әсер етуі мүмкін зақымдардың жоқтығын тексеріңіз. Аспаптың зақымдалған бөліктерін оны қолдану алдында жөндеуге өткізіңіз. Электр құралына техникалық қызмет көрсету ережелерін сақтамау көп сәтсіз жағдайлардың себебі болып табылады.
- ▶ **Көскіш аспаптардың үшкір және таза болуын қадағалау керек.** Жұмыс күйінде сақталатын көскіш аспаптардың сыналануы сиректеу болады, оларды басқару жеңілдеу.
- ▶ **Электр құралын, саймандарды, көмекші құрылғыларды және т.б. нұсқауларға сай пайдаланыңыз.** Бұл кезде жұмыс жағдайларын және орындалатын жұмыстың сипатын ескеріңіз. Электр құралдарын басқа мақсаттарда қолдану қауіпті жағдайларға әкелуі мүмкін.
- ▶ **Тұтқыштар мен тұтқыш беттерін таза, құрғақ, май іздерінсіз ұстаңыз.** Сырғанақ тұтқыштар мен олардың беттері белгілі бір жағдайларда электр құралының қауіпсіз қолданылуы мен басқарылуына жол бермейді.

#### **Қызмет көрсету**

- ▶ **Электр құралын жөндеуді тек түпнұсқа қосалқы бөлшектерді қолданатын білікті қызметкерлерге сеніп тапсырыңыз.** Бұл электр құралын қауіпсіз күйде сақтауды қамтамасыз етеді.

## **2.2 Перфораторлармен жұмыс істеу кезіндегі қауіпсіздік техникасы бойынша нұсқаулар**

### **Барлық жұмыстарға арналған қауіпсіздік техникасы бойынша нұсқаулар**

- ▶ **Қорғауыш құлаққапты киіңіз.** Шу әсерінің нәтижесінде есту қабілеті жоғалуы мүмкін.
- ▶ **Аспап жинағына кіретін қосымша тұтқыштарды қолданыңыз.** Аспапты басқаруды жоғалту жарақаттарға әкелуі мүмкін.
- ▶ **Аспаптың жасырын электр сымдарын немесе желілік кабельді зақымдау қауіп болғанда аспапты оқшауланған беттерінен ұстаңыз.** Электр сымдарына тигенде аспаптың қорғалмаған металл бөліктері кернеу астында болады. Бұл электр тогының соғуына әкелуі мүмкін.

## **2.3 Қауіпсіздік бойынша қосымша нұсқаулар**

### **Адамдардың қауіпсіздігі**

- ▶ Аспапты тек техникалық мінсіз күйінде қолданыңыз.
- ▶ Аспапта ешқашан бейімдеу не өзгерту жұмыстарын орындамаңыз.
- ▶ Тесіп өтетін бұрғылау кезінде қауіпті аймақты қабырғаның қарама-қарсы жағынан қоршаңыз. Сыртқа шығатын және/немесе төмен түсетін сынықтар адамдарға жарақат тигізуі мүмкін.
- ▶ Өрқашан аспапты екі қолмен тұтқыштарынан берік ұстаңыз. Тұтқышты құрғақ, әрі таза күйінде ұстаңыз.
- ▶ Бүйірлік тұтқышты өрқашан сыртынан ұстаңыз.
- ▶ Аспапты қолданған кезде арнайы қорғаныс көзілдірігін, қорғаныс шлемін, құлаққап, қорғаныс қолғап пен жеңіл респиратор тағып жүріңіз.
- ▶ Құралды алмастырған кезде қорғаныс қолғаптарын да киіңіз. Алмалы-салмалы аспапқа тию кесіктерге және күйіктерге апарып соғуы мүмкін.



- ▶ Қорғауыш көзілдіріктерді пайдаланыңыз. Материалдың сынықтары денені және көзді жарақаттауы мүмкін.
- ▶ Жұмысты бастау алдында дайындама материалы бойынша пайда болатын шаңның қауіп класын анықтаңыз. Аспаппен жұмыс істеу үшін қорғаныс дәрежесі қолданыстағы шаңнан қорғау нормаларына сай құрылыс шаңсорғышын қолданыңыз.
- ▶ Мүмкіндігінше шаңсорғыш пен арнайы жылжымалы шаң жинағышты қолданыңыз. Құрамында қорғасын бар бояулар, ағаштың кейбір түрлері, бетон/кірпіш қалауы/кварц қамтитын жыныстар және минералдар мен металл сияқты материалдардан пайда болатын шаң денсаулық үшін зиянды болуы мүмкін.
- ▶ Жұмыс орнындағы ауа алмасуды жақсарту үшін әрекет етіңіз және қажетінше тиісті шаңға арналған респираторды тағыңыз. Мұндай шаңның бөлшектерімен дем алу немесе оған тию пайдаланушыларда немесе жанындағы адамдарда аллергиялық реакциялардың және/немесе дем алу жолдары ауруларының пайда болуына әкелуі мүмкін. Кейбір шаң түрлері (мысалы, өменді немесе шамшатты өңдеу кезінде пайда болатын шаң) канцерогенді деп есептеледі, әсіресе ағашты өңдеу үшін қолданылатын қосымша материалдармен (хром қышқылының тұзы, ағашты қорғау заттары) тіркесімде. Құрамында асбест бар материалдарды тек мамандар өңдеуі керек.
- ▶ Саусақтарыңыздың қандандыруын жақсарту үшін үзіліс жасап, жаттығулар жасаңыз. Ұзақ уақыт жұмыс істеген кезде, дірілдердің салдарынан саусақ, қол не буындардың қантамыры не жүйкесіне кері әсер тиюі мүмкін.

### Электр қауіпсіздігі

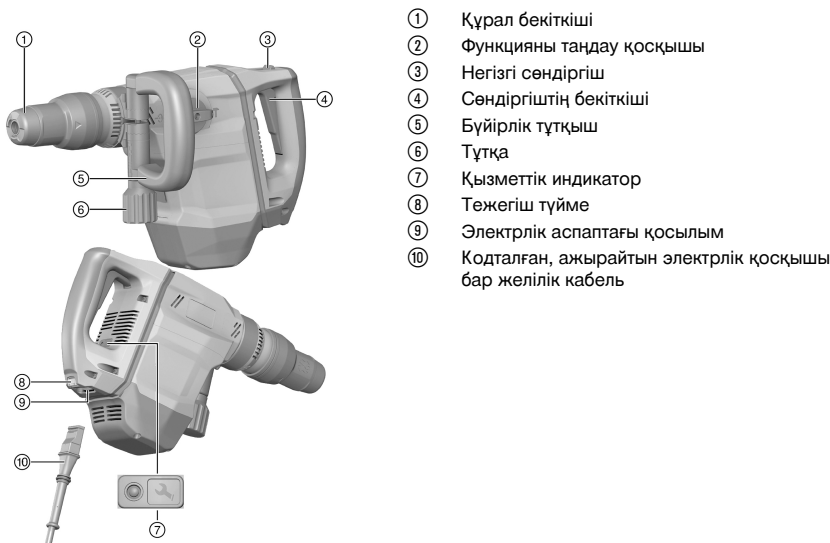
- ▶ Жұмысты бастамас бұрын, жұмыс аймағындағы электрлік сымдар, газ бен су құбырлары жабық екендігіне көз жеткізіңіз. Ток сымына байқамастан зақым келтірген жағдайда, аспаптағы сыртта орналасқан металл бөлшектер ток соғу қаупін тудыруы мүмкін.

### Электр құралмен дұрыс жұмыс істеу және оны дұрыс пайдалану

- ▶ Электр құрал блокталған кезде құралды бірден өшіріңіз. Аспап бүйірімен ауытқуы мүмкін.
- ▶ Электр құралды алып тастау алдында оның толығымен тоқтатылған күйге орнатылғанына дейін күтіңіз.

## 3 Сипаттама

### 3.1 Өнімге шолу



### 3.2 Мақсатына сай қолдану

Сипатталған өнім электрлік қашайтын балға болып табылады. Ол кірпіш қалау мен бетонда орташа ауыр қашау жұмыстарына арналған.



- ▶ Аспапты тек фирмалық тақтайшада көрсетілгендей электр желісінің кернеуі болғанда пайдалануға мүмкін болады.

### 3.3 Active Vibration Reduction (AVR)

Қашайтын балға дірілді айтарлықтай азайтатын Active Vibration Reduction (AVR) жүйесімен жабдықталған.

### 3.4 Ықтимал қате қолдану

- Аталған өнім денсаулық үшін зиянды материалдарды өңдеуге арналмаған.
- Аталған өнім ылғалды ортада жұмыс істеуге арналмаған.
- Бұл өнімді фирмалық тақтайшадан белгіленгеннен басқа желілік кернеумен және жиілікпен пайдалануға болмайды.

### 3.5 Қызметтік индикатор

Қашайтын балға жарық сигналы бар қызметтік индикатормен жабдықталған.

Құралдың бөлшектері	Сипаттамасы
Қызметтік индикатор жаңып тұр.	Қызмет көрсету мерзімі шегіне жетті.
Қызметтік индикатор жыпылықтайды.	Өнімдегі зақымдар. Өнімді Hilti қызмет көрсету орталығында жөндеңіз.

### 3.6 Жеткізілім жинағы

Қашайтын балға, бүйірлік тұтқыш, пайдалану бойынша нұсқаулық.



Оған қоса өніміңіз үшін рұқсат етілген жүйелік өнімдерді Hilti Store дүкенінде немесе мына веб-сайтан табуға болады: [www.hilti.group](http://www.hilti.group)

## 4 Техникалық сипаттамалар

### 4.1 Қашайтын балға



Номиналды кернеу, номиналды ток, жиілік және номиналды тұтынылатын қуат туралы ақпарат елге тән фирмалық тақтайшада берілген.

Генераторда немесе трансформаторда жұмыс істеген кезде, осы шығыс қуат аспаптың фирмалық тақтайшасында көрсетілген номиналды тұтынылатын қуаттан кем дегенде екі есе жоғары болуы керек. Трансформатор немесе генератордың басқару кернеуі әрдайым аспаптың номиналды тұтынылатын қуатының +5 % және -15 % аралығында болуы керек.

	TE 500-AVR
ЕРТА 01 процедурасы бойынша салмағы	6,3 кг

### 4.2 EN 62841 стандарты бойынша шуыл туралы ақпарат және діріл мәні

Осы нұсқауларда көрсетілген дыбыс қысымы мен діріл деңгейі стандартты өлшеу әдісімен өлшенген және оны басқа электр құралдарымен салыстыру үшін пайдалануға болады. Сонымен бірге, ол экспозицияны алдын ала бағалау үшін жарайды.

Берілген деректер электр құралының негізгі жұмысын көрсетеді. Алайда, егер электр құралы басқа мақсаттарда, басқа жұмыс аспаптарымен қолданылса немесе оған қанағаттандырмайтын техникалық қызмет көрсетілсе, деректер өзгеше болуы мүмкін. Осының салдарынан аспаптың бүкіл жұмыс істеу кезеңінде экспозиция айтарлықтай артуы мүмкін.

Экспозицияны дәл анықтау үшін электр құралы сөндірілген күй немесе бос жұмыс істейтін уақыт аралықтарын да ескеру керек. Осының салдарынан аспаптың бүкіл жұмыс істеу кезеңінде экспозиция айтарлықтай азаюы мүмкін.

Пайдаланушыны пайда болатын шуылдан және/немесе дірілден қорғау үшін қосымша сақтық шараларын қолданыңыз, мысалы: электр аспабына және жұмыс аспаптарына техникалық қызмет көрсету, қолдардың жылуын сақтау, жұмыс процестерін дұрыс ұйымдастыру.



**Шуыл туралы ақпарат**

Дыбыс күшінің деңгейі ( $L_{WA}$ )	104 дБ(А)
Дыбыс қысымының деңгейі ( $L_{pA}$ )	93 дБ(А)
Дәлсіздік (шуыл көрсеткіштері) ( $K_{pA}$ және $K_{WA}$ )	3 дБ(А)

**Дірілдің жалпы көрсеткіші**

Қашау ( $a_{h, Cheq}$ )	8,2 м/с <sup>2</sup>
Дәлсіздік (дірілдің жалпы көрсеткіштері)	1,5 м/с <sup>2</sup>

**5 Қызмет көрсету****5.1 Жұмысқа дайындық****⚠ АБАЙПАҢЫЗ**

**Жарақат алу қаупі бар!** Өнімнің кездейсоқ іске қосылуы.

- ▶ Аспап реттеулерін орындау немесе қосалқы бөлшектерді алмастыру алдында желілік ашаны тартып шығарыңыз.

Осы құжаттамадағы және өнімдегі қауіпсіздік және ескерту нұсқауларын орындаңыз.

**5.1.1 Бүйірлік тұтқышты орнату 2****⚠ АБАЙПАҢЫЗ**

**Жарақат алу қаупі** Қашайтын балға басқарудың жоғалуы.

- ▶ Бүйірлік тұтқыш дұрыс орнатылғанын және берік бекітілгенін тексеріңіз.

1. Ұстағышты (тартылмалы таспаны) және бүйірлік тұтқышты алдыңғы жақтан құрал бекіткіші арқылы арнайы қарастырылған гайкаға дейін жылжытыңыз.
2. Бүйірлік тұтқышты қалаулы орынға орналастырыңыз.
3. Бүйірлік тұтқыштың ұстағышын (тартылмалы таспаны) қысып алу үшін тұтқаны айналдырыңыз.

**5.1.2 Алмалы-салмалы желілік кабельді жалғау****⚠ АБАЙПАҢЫЗ**

**Жарақат алу қаупі** контактілер кірленген жағдайда кему тоғы арқылы.

- ▶ Ажырайтын электрлік қосқышты тек таза, құрғақ әрі тартылыссыз күйінде электрлік аспапқа жалғаңыз.

1. Кодталған, ажырайтын электрлік қосқышты тірелуі естілмегенше аспапқа салыңыз.
2. Желілік кабель ашасын розеткаға салыңыз.

**5.1.3 Алмалы-салмалы құралды орнату/алып тастау 3****⚠ ЕСКЕРТУ**

**Жарақат алу қаупі** Құрал қолдану кезінде қызып кетеді.

- ▶ Құралды алмастырған кезде қорғауыш қолғаптарды киіңіз.

1. Алмалы-салмалы құрал ұшын аздап майлаңыз.
2. Алмалы-салмалы құралды құрал бекіткішіне тірелгенше салыңыз.
  - ▶ Өнім жұмысқа дайын.
3. Құрал құлпын шегіне дейін артқа тартыңыз және алмалы-салмалы құралды шығарыңыз.



Тек Hilti компаниясы ұсынған түпнұсқа жағармай қолданыңыз. Жарамсыз майды пайдалану нәтижесінде өнім зақымдалуы мүмкін.





## 5.1.4 Кескішті орналастыру

### АБАЙЛАҢЫЗ

**Жарақат алу қаупі** Кескіш бағытының бақылауын жоғалту.

- ▶ «Кескішті орналастыру» күйінде жұмыс істеменіз. Функцияны таңдау қосқышын тірелгенше «Қашау» параметріне орнатыңыз.



Кескішті 24 түрлі позицияға (15° қадамға) орнатуға болады. Осының есебінен жалпақ және қалыпқа түсірілген кескіштерді қажетті жұмыс күйіне орнатуға болады.

1. Режимдерді таңдау құралын күйіне орнатыңыз.
2. Кескішті қалаулы позицияға бұраңыз.
3. Функцияны таңдау қосқышын осы **T** күйіне тірелгенше орнатыңыз.
  - ▶ Аспап жұмысқа дайын.

## 5.1.5 Алмалы-салмалы желілік кабельді электрлік аспаптан ажырату

1. Кабель ашасын желілік розеткадан шығарыңыз.
2. Тежегіш түймені басып, кодталған, ажыратын электрлік штепсельдік қосылымды ажыратыңыз.
3. Желілік кабельді аспаптан тартып шығарыңыз.

## 5.2 Жұмыс істеу

### ЕСКЕРТУ

**Ток соғу қаупі!** Бүлінген жерге тұйықтаушы сым мен автоматты ажыратқыш ауыр жарақаттарға және өртке апарып соғуы мүмкін.

- ▶ Құрылыс алаңындағы желі немесе генераторға қосылған электрлік жеткізуші сымда әрдайым жерге тұйықтаушы сымдар мен автоматты ажыратқыш бар екендігін және қосылып тұрғанын қадағалап тұрыңыз.
- ▶ Осы қауіпсіздік құралдарынсыз ешбір өнімді іске қоспаңыз.

### ЕСКЕРТУ

**Зақымдалған кабельден қауіп бар!** Егер жұмыс кезінде желілік немесе ұзартқыш кабель зақымдалса, оған тиюге тыйым салынады. Желілік кабельді розеткадан шығарыңыз.

- ▶ Аспаптың желілік кабелін тұрақты түрде тексеріңіз және зақымдалған кабельді ауыстыру үшін тәжірибелі электрші маманды шақырыңыз.

Жұмыстарды құрылыс басқармасы толық көлемде мақұлдауы керек!

## 5.2.1 Қашау

- ▶ Режимдерді таңдау құралын **T** күйіне орнатыңыз.

## 5.2.2 Үздіксіз жұмыс режимін қосу/өшіру



Қашау режимінде қосқыш/ажыратқышты қосылған күйде бекітуге болады.

1. Үздіксіз жұмыс режиміне арналған тежегіш түймені алға қарай жылжытыңыз.
2. Қосқыш/ажыратқышты толығымен басыңыз.
  - ▶ Өнім енді үздіксіз жұмыс режимінде істеп тұр.
3. Үздіксіз жұмыс режиміне арналған тежегіш түймені артқа қарай жылжытыңыз.
  - ▶ Өнім өшіп қалады.



## 6 Күтім және техникалық қызмет көрсету

### ЕСКЕРТУ

**Ток соғу қаупі бар!** Желілік аша енгізіліп тұрған кезде күтім және техникалық қызмет көрсету ауыр жарақаттарға және өртке апарып соғуы мүмкін.

- ▶ Кез келген күтім және техникалық қызмет көрсету жұмысын орындамас бұрын желілік ашаны әрдайым суырып алыңыз!

### Аспапты күту

- Қатты жабысқан кірді мұқият кетіріңіз.
- Желдету ойықтарын құрғақ қылшақпен жайлап тазалаңыз.
- Корпусты тек сәл суланған шүберекпен тазалаңыз. Ешқандай силикон қамтитын күтім құралдарын пайдаланбаңыз, өйткені олар пластмасса бөлшектерін зақымдауы мүмкін.

### Техникалық қызмет көрсету

### ЕСКЕРТУ

**Ток соғу қаупі!** Электрлік құрамдас бөлшектерді қате жөндеу ауыр жарақаттану мен өртке апарып соғуы мүмкін.

- ▶ Аспаптың электр бөлігін жөндеуді тек маман-электрикке тапсырыңыз.
- Барлық көзге көрінетін бөлшектерде зақымдардың бар-жоғын және басқару элементтерінің ақаусыз жұмысын жиі тексеріп тұрыңыз.
- Өнім зақымдалған және/немесе ақаулы болған жағдайда оны пайдаланушы болмаңыз. Бірден **Hilti** қызмет көрсету орталығына жөндетіңіз.
- Күтім және техникалық қызмет көрсету жұмыстарынан кейін барлық қорғауш құрылғыларды орнатып, жұмысын тексеріңіз.



Қауіпсіз қолдану үшін тек түпнұсқа қосалқы бөлшектер мен жұмсалатын материалдарды қолданыңыз. Біз рұқсат еткен қосалқы бөлшектер, шығын материалдары мен өнімге арналған керек-жарақтар **Hilti Store** дүкенінде немесе келесі веб-сайтта қолжетімді: [www.hilti.group](http://www.hilti.group).

## 7 Тасымалдау және сақтау

### Тасымалдау

- ▶ Аталмыш өнімді енгізілген құралмен бірге тасымалдамаңыз.
- ▶ Тасымалдау кезінде өнімнің берік бекітілгеніне көз жеткізіңіз.
- ▶ Әр тасымалдағаннан кейін көзге көрінетін барлық бөліктерде зақымдардың бар-жоғын және басқару элементтерінің ақаусыз жұмысын тексеріп тұрыңыз.

### Сақтау

- ▶ Аталмыш өнімді әрдайым желілік ашасын ажыратып сақтаңыз.
- ▶ Аталмыш өнімді құрғақ күйінде және балалар мен рұқсаты жоқ адамдардың қолы жетпейтін жерде сақтаңыз.
- ▶ Ұзақ уақыт сақтағаннан кейін көзге көрінетін барлық бөліктерде зақымдардың бар-жоғын және басқару элементтерінің ақаусыз жұмысын тексеріп шығыңыз.

## 8 Ақаулықтардағы көмек

Бұл кестеде келтірілмеген немесе өзіңіз түзете алмайтын ақаулықтар орын алғанда, **Hilti** қызмет көрсету орталығына хабарласыңыз.

### 8.1 Ақаулықтардағы көмек

Ақаулық	Ықтимал себеп	Шешім
Қашайтын балға жұмыс істемей тұр.	Электр қамтуы жоқ.	▶ Басқа электр құралын жалғап, жұмысын тексеріңіз.
	Электр қамтуындағы үзілістен кейін іске қосуды электрондық бұғаттау белсендірілген.	▶ Аспапты өшіріп қайта қосыңыз.



Ақаулық	Ықтимал себеп	Шешім
Қашайтын балға жұмыс істемей тұр.	Генератор ұйқы режимінде.	▶ Генераторға екінші тұтынушы жүктеңіз (мысалы, құрылыс шамы). Сонан соң аспапты өшіріп қайта қосыңыз.
	Аспаптағы зақымдар.	▶ Өнімді <b>Hilti</b> қызмет көрсету орталығында жөндеңіз.
	Көмір қылшақтары тозған.	▶ Тексеру үшін маман-электрикке барыңыз және, қажет болса, ауыстырыңыз.
Соққымен бұрғылау орындалмайды.	Аспап тым суық.	▶ Қашайтын балғаны астыңғы бетке қойып, бос жүріспен жұмыс істетіңіз. Қажет болса, соққы механизмі жұмыс істегенше әрекетті қайталаңыз.
Қашайтын балға толық қуатпен жұмыс істемей тұр.	Ұзартқыш кабель тым ұзын немесе қимасы жеткіліксіз.	▶ Ұзындығы ұйғарынды және/немесе қимасы жеткілікті ұзартқыш кабельді қолданыңыз.
	Негізгі сөндіргіш толық басылмаған.	▶ Сөндіргішті тірелгенше басыңыз.
Кескішті бекіткіштен босатуға болмайды.	Құрал бекіткіші толық босатылмаған.	▶ Бекіткішті артқа тірелгенше шығарыңыз және жұмыс аспабын шығарыңыз.
Қызметтік индикатор жыпылықтайды.	Аспаптағы зақымдар.	▶ Өнімді <b>Hilti</b> қызмет көрсету орталығында жөндеңіз.
Қызметтік индикатор жанып тұр.	Көмір қылшақтары тозған.	▶ Тексеру үшін маман-электрикке барыңыз және, қажет болса, ауыстырыңыз.
	Аспапта зақымдар бар немесе қызмет көрсету мерзімі шегіне жетті.	▶ Өнімді тек <b>Hilti</b> қызмет көрсету орталығында ғана жөндеңіз.

## 9 Көдеге жарату

**Hilti** аспаптары қайта өңдеу үшін жарамды көптеген материалдардың санын қамтиды. Көдеге жарату алдында материалдарды мұқият сұрыптау керек. Көптеген елдерде **Hilti** компаниясы ескі аспабыңызды қайта өңдеу үшін қайта қабылдайды. **Hilti** қызмет көрсету орталығынан немесе дилеріңізден сұраңыз.



- ▶ Электр құралдарды, электрондық құрылғылар мен аккумуляторларды тұрмыстық қоқыспен бірге тастамаңыз!

## 10 RoHS (зиянды заттектердің пайдаланылуын шектеу директивасы)

Төмендегі сілтемелер бойынша зиянды заттектердің кестесі келтірілген: [qr.hilti.com/rxxx](http://qr.hilti.com/rxxx).  
RoHS кестесінің сілтемесі осы құжаттаманың соңында QR коды ретінде берілген.

## 11 Өндіруші кепілдігі

- ▶ Кепілдік шарттары туралы сұрақтарыңыз болса, жергілікті **Hilti** серіктесіне жолығыңыз.



# Orijinal kullanım kılavuzu

## 1 Kullanım kılavuzu bilgileri

### 1.1 Bu kullanım kılavuzu hakkında

- Aleti çalıştırmadan önce bu kullanım kılavuzunu mutlaka okuyunuz. Bu, güvenli çalışma ve arızasız kullanım için ön koşuldur.
- Bu kullanım kılavuzunda ve ürün üzerinde bulunan emniyet ve uyarı bilgilerine dikkat ediniz.
- Kullanım kılavuzunu her zaman ürün üzerinde bulundurunuz ve ürünü sadece bu kullanım kılavuzu ile birlikte başka kişilere veriniz.

### 1.2 Resim açıklaması

#### 1.2.1 Uyarı bilgileri

Uyarı bilgileri, ürün ile çalışırken ortaya çıkabilecek tehlikelere karşı uyarır. Aşağıdaki uyarı metinleri kullanılır:



#### TEHLİKE

#### TEHLİKE !

- Ağır vücut yaralanmalarına veya doğrudan ölüme sebep olabilecek tehlikeler için.



#### İKAZ

#### İKAZ !

- Ağır yaralanmalara veya ölüme neden olabilecek tehlikeler için.



#### DİKKAT

#### DİKKAT !

- Vücut yaralanmalarına veya maddi hasarlara yol açabilecek olası tehlikeli durumlar için.

### 1.2.2 Kullanım kılavuzundaki semboller

Bu kullanım kılavuzunda aşağıdaki semboller kullanılmıştır:

	Kullanım kılavuzuna dikkat edilmelidir
	Kullanım uyarıları ve diğer gerekli bilgiler
	Geri dönüşümlü malzemeler ile çalışma
	Elektrikli aletleri ve aküleri evdeki çöplere atmayınız

### 1.2.3 Çizimlerdeki semboller

Çizimlerde aşağıdaki semboller kullanılmıştır:

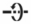
	Bu sayılar, kullanım kılavuzunun başlangıcındaki ilgili çizime atanmıştır.
	Çizimlerdeki numaralandırma, önemli çalışma adımlarını veya çalışma adımları için önemli olan yapı parçalarını gösterir. Metinde, bu çalışma adımları veya yapı parçasına karşılık gelen sayılarla vurgulanmıştır, örn. (3).
	Pozisyon numaraları <b>Genel bakış</b> çiziminde kullanılır ve <b>Ürüne genel bakış</b> bölümündeki açıklama numaralarına referans niteliğindedir.
	Bu işaret, ürün ile çalışırken dikkatinizi çekmek için koyulmuştur.

### 1.3 Resim açıklaması

#### 1.3.1 Üründeki semboller

Üründe aşağıdaki semboller kullanılmıştır:



T	Keskileme
	Keski konumlandırma
	Koruma sınıfı II (çift izolasyonlu)
n <sub>0</sub>	Ölçüm rölati devir sayısı
	Koruyucu eldiven kullanınız

#### 1.4 Ürün bilgileri

**HILTI** ürünleri profesyonel kullanıcıların kullanımı için öngörülmüştür ve sadece yetkili personel tarafından kullanılabilir ve bakımı yapılabilir. Bu personel, meydana gelebilecek tehlikeler hakkında özel olarak eğitim görmüş olmalıdır. Aletin ve ilgili yardımcı gereçlerin eğitimsiz personel tarafından usulüne uygun olmayan şekilde kullanılması ve amaçları dışında çalıştırılması sonucu tehlikeli durumlar söz konusu olabilir. Tip tanımı ve seri numarası, tip plakası üzerinde belirtilmiştir.

- Seri numarasını aşağıdaki tabloya aktarınız. Ürün bilgileri acente veya servis merkezini aradığınızda sorulabilir.

##### Ürün verileri

Keski tabancası	TE 500-AVR
Nesil	03
Seri no.	

#### 1.5 Uygunluk beyanı

Burada tanımlanan ürünün, geçerli yönetmeliklere ve normlara uygun olduğunu kendi sorumluluğumuzda beyan ederiz. Bu dokümantasyonun sonunda uygunluk beyanının bir kopyasını bulabilirsiniz.

Teknik dokümantasyonlar eklidir:

Hilti Entwicklungsgesellschaft mbH | Zulassung Geräte | Hiltistraße 6 | 86916 Kaufering, DE

## 2 Güvenlik

### 2.1 Elektrikli el aletleri için genel güvenlik uyarıları

**⚠ İKAZ Bu elektrikli el aletine yönelik tüm güvenlik uyarılarını, talimatları, resimli açıklamaları ve teknik verileri dikkatlice okuyunuz.** Aşağıdaki talimatlara uyulmaması durumunda elektrik çarpması, yangın ve/veya ağır yaralanmalar söz konusu olabilir.

**Tüm güvenlik uyarılarını ve kullanım talimatlarını muhafaza ediniz.**

Güvenlik uyarılarında kullanılan "Elektrikli el aleti terimi, şebeke işletimli elektrikli el aletleri (şebeke kablosu ile) veya akü işletimli elektrikli el aletleri (şebeke kablosu olmadan) ile ilgilidir.

#### İş yeri güvenliği

- **Çalışma alanınızı temiz ve aydınlık tutunuz.** Düzensiz veya aydınlatma olmayan çalışma alanları kazalara yol açabilir.
- **Yanıcı sıvıların, gazların veya tozların bulunduğu patlama tehlikesi olan yerlerde elektrikli el aleti ile çalışmayınız.** Elektrikli el aletleri, toz veya buharı yakabilecek kıvılcım oluşturur.
- **Elektrikli el aletini kullanırken çocukları ve diğer kişileri uzak tutunuz.** Dikkatiniz dağılırsa aletin kontrolünü kaybedebilirsiniz.

#### Elektrik güvenliği

- **Elektrikli el aletinin bağlantı fişi prize uygun olmalıdır. Fiş hiçbir şekilde değiştirilmemelidir. Adaptör fişini topraklama korumalı elektrikli el aletleri ile birlikte kullanmayınız.** Değiştirilmemiş fişler ve uygun prizler elektrik çarpması riskini azaltır.
- **Borular, radyatörler, fırınlar ve buzdolapları gibi toprağa temas eden üst yüzeylere vücudunuzla temas etmekten kaçınınız.** Vücudunuzun toprakla teması var ise yüksek bir elektrik çarpması riski söz konusudur.
- **Elektrikli el aletini yağmurdan veya ıslaklıktan uzak tutunuz.** Elektrikli el aletine su girmesi, elektrik çarpması riskini artırır.



- ▶ **Elektrikli el aletini taşımak, asmak veya fişi prizden çekmek için bağlantı kablosunu kullanım amacı dışında kullanmayınız.** Bağlantı kablosunu sıcaktan, yağdan, keskin kenarlardan ve hareketli parçalardan uzak tutunuz. Hasarlı veya dolanmış bağlantı kabloları elektrik çarpması riskini artırır.
- ▶ **Elektrikli bir el aleti ile açık alanda çalışacaksanız, sadece dışarıda kullanımına izin verilen uzatma kabloları kullanınız.** Dış mekanlar için uygun olan uzatma kablolarının kullanılması elektrik çarpması riskini azaltır.
- ▶ **Elektrikli el aleti işletiminin nemli ortamda yapılması kaçınılmaz ise bir kaçak akım koruma şalteri kullanınız.** Bir kaçak akım koruma şalterinin kullanımı elektrik çarpması riskini azaltır.

#### **Kişilerin güvenliği**

- ▶ **Dikkatli olunuz, ne yaptığınıza dikkat ediniz ve elektrikli el aleti ile mantıklı bir şekilde çalışınız.** Yorgunsanız veya uyuşturucu, alkol veya ilaç etkisi altında olduğunuzda elektrikli el aleti kullanmayınız. Elektrikli el aletini kullanırken bir anlık dikkatsizlik ciddi yaralanmalara neden olabilir.
- ▶ **Kişisel koruyucu donanım ve her zaman bir koruyucu gözlük takınız.** Elektrikli el aletinin türüne ve kullanımına göre toz maskesi, kaymayan güvenlik ayakkabısı, koruyucu kask veya kulaklık gibi kişisel koruyucu donanımların kullanılması yaralanma riskini azaltır.
- ▶ **İstem dışı çalışmayı önleyiniz. Güç kaynağına ve/veya aküyü bağlamadan, girişini yapmadan veya taşımadan önce elektrikli el aletinin kapalı olduğundan emin olunuz.** Elektrikli el aletini taşırken parmağınız şalterde ise veya alet açık konumda güç kaynağına takılırsa bu durum kazalara yol açabilir.
- ▶ **Elektrikli el aletini devreye almadan önce ayar aletlerini veya vidalama anahtarlarını çıkartınız.** Dönen bir alet parçasında bulunan bir alet veya alet veya anahtar yaralanmalara yol açabilir.
- ▶ **Aşırı bir vücut hareketinden sakınınız. Güvenli bir duruş sağlayınız ve her zaman dengeli tutunuz.** Böylece beklenmedik durumlarda elektrikli el aletini daha iyi kontrol edebilirsiniz.
- ▶ **Uygun kıyafetler giyiniz. Bol kıyafetler giymeyiniz veya takı takmayınız. Saçları, kıyafetleri ve eldivenleri hareket eden parçalardan uzak tutunuz.** Bol kıyafetler, takı veya uzun saçlar hareket eden parçalara takılabilir.
- ▶ **Toz emme ve tutma tertibatları monte edilebiliyorsa bunların bağlı olduğundan ve doğru kullanıldığından emin olunuz.** Bu toz emme tertibatının kullanımı tozdan kaynaklanabilecek tehlikeleri azaltabilir.
- ▶ **Kendi güvenliğinizi riske atmayınız ve elektrikli el aletleri kullanımında son derece tecrübeli olsanız bile ilgili güvenlik kurallarını ihlal etmeyiniz.** Dikkatsiz kullanım saniyeler içerisinde ciddi yaralanmalara neden olabilir.

#### **Elektrikli el aletinin kullanımı ve çalıştırılması**

- ▶ **Aleti çok fazla zorlamayın. Çalışmanız için uygun olan elektrikli el aletini kullanın.** Uygun elektrikli el aleti ile bildirilen hizmet alanında daha iyi ve güvenli çalışsınız.
- ▶ **Şalteri bozuk olan elektrikli el aletini kullanmayınız.** Açılıp kapatılmayan bir elektrikli el aleti tehlikelidir ve tamir edilmesi gerekir.
- ▶ **Alet ayarlarını yapmadan, aksesuar parçalarını değiştirmeden veya aleti bir yere koymadan önce fişi prizden ve/veya (çıkarılabilir) aküyü aletten çıkarınız.** Bu önlem, elektrikli el aletinin istem dışı çalışmasını engeller.
- ▶ **Kullanılmayan elektrikli el aletlerini çocukların erişemeyeceği yerde muhafaza edin. Aleti iyi tanımayan veya bu talimatları okumamış kişilere aleti kullanırmayınız.** Elektrikli el aletleri bilgisiz kişiler tarafından kullanılırsa tehlikelidir.
- ▶ **Elektrikli el aletlerinin ve aksesuarlarının bakımını titizlikle yapınız. Hareketli parçaların kusursuz çalıştığı ve sıkışmadığı, parçaların kırılıp kırılmadığı veya hasar görüp görmediği, elektrikli el aleti fonksiyonlarının kısıtlanma durumlarını kontrol ediniz. Hasarlı parçaları aleti kullanmadan önce tamir ettiriniz.** Birçok kazanın nedeni bakım kötü yapılan elektrikli el aletleridir.
- ▶ **Kesme aletlerini keskin ve temiz tutun.** Özenle bakımı yapılmış keskin bıçak kenarı olan kesme aletleri daha az sıkışır ve kullanımı daha rahattır.
- ▶ **Elektrikli el aletini, aksesuarları, ek aletleri vb. bu talimatlara göre kullanın. Çalışma şartlarını ve yapılacak işi de ayrıca göz önünde bulundurun.** Elektrikli el aletlerinin öngörülen kullanımı dışında kullanılması tehlikeli durumlara yol açabilir.
- ▶ **Tutamağı ve tutamak yüzeylerini daima temiz ve yağ ve gresten arındırılmış durumda tutunuz.** Kaygan tutamaklar ve tutamak yüzeyleri güvenli bir kullanımı ve öngörülemeyen durumlarda elektrikli el aletinin kontrolünü engeller.

#### **Servis**

- ▶ **Elektrikli el aletinizi sadece kalifiye uzman personele ve sadece orijinal yedek parçalar ile tamir ettiriniz.** Böylece elektrikli el aletinin güvenliğinin korunduğundan emin olunur.



## 2.2 Kırıcı-delici için güvenlik uyarıları

### Tüm çalışmalara yönelik güvenlik uyarıları

- ▶ **Kulaklık takınız.** Aşırı sestten dolayı duyma kaybı meydana gelebilir.
- ▶ **Aletle birlikte verilen ek tutamakları kullanınız.** Kontrol kaybı yaralanmalara yol açabilir.
- ▶ **Kullandığınız aletin gizli elektrik hatlarına veya kendi şebeke kablosuna isabet edebileceği çalışmalar yapıyorsanız aleti sadece izolasyonlu tutamaklardan tutunuz.** Elektrik ileten bir hat ile temasta metal parçalar da gerilim altında kalır ve elektrik çarpmasına neden olabilir.

## 2.3 Ek güvenlik uyarıları

### Kişilerin güvenliği

- ▶ Aleti sadece teknik olarak kusursuz durumdayken kullanınız.
- ▶ Alette hiç bir zaman manipülasyonlar veya değişiklikler yapmayınız.
- ▶ Kırma çalışmalarında, çalışılacak yerin karşı tarafında bulunan bölgeyi emniyete alınız. Kırılan parçalar dışarı ve / veya yere düşebilir ve diğer kişilerin yaralanmasına sebep olabilir.
- ▶ Aleti, her zaman iki elinizle öngörülen tutamaklardan sıkıca tutunuz. Tutamakları kuru ve temiz tutunuz.
- ▶ Yan tutamağı her zaman dış kısmından tutunuz.
- ▶ Aletin kullanımı sırasında uygun bir koruyucu gözlük, koruyucu kask, kulaklık, koruyucu eldiven ve hafif solunum koruma maskesi takınız.
- ▶ Matkap ucu değişimi sırasında koruyucu eldiven takınız. Ek alete takılan uçlara dokunmak kesik ve yanık türünde yaralanmalara yol açabilir.
- ▶ Koruyucu gözlük kullanınız. Etrafa sıçrayan malzeme vücudu ve gözleri yaralayabilir.
- ▶ Çalışmaya başlamadan önce çalışma sırasında ortaya çıkan tozun tehlike sınıfını öğreniniz. Ülkenizdeki tozdan koruma yönergelerine uygun bir resmi koruma sınıfına sahip toz emme tertibatı kullanınız.
- ▶ Mümkün oldukça, bir toz emici ve uygun, taşınabilir bir toz ayırıcı kullanınız. Kurşun içeren boyalar gibi malzemelerin tozu, bazı ahşap türleri, kuartz içeren beton / duvar / taşlar, mineraller ve metaller sağlığa zarar verebilir.
- ▶ Çalışma yerinin iyi havalandırmasını sağlayın ve gerektiği durumlarda ilgili toz için uygun olan bir maske kullanınız. Tozlara dokunulması veya tozların solunması, kullanıcıda veya yakınında bulunan kişilerde alerjik reaksiyonlara ve/veya solunum yolu hastalıklarına yol açabilir. Kayın veya meşe ağacı gibi belli tür tozlar özellikle ahşap işlemede ek maddelerle (kromat, ahşap koruyucu malzemeler) bağlantılı çalışıldığında kanser yapıcı olarak kabul edilir. Asbest içeren malzemeler sadece uzman kişiler tarafından işlenmelidir.
- ▶ Parmaklarınızdaki kan dolaşımının daha iyi olması için çalışma molaları veriniz ve parmak egzersizleri yapınız. Uzun süreli çalışmalarda titreşimden dolayı parmaklar, eller veya bileklerdeki kan damarlarında veya sinir sisteminde rahatsızlıklar oluşabilir.

### Elektrik güvenliği

- ▶ Çalışmaya başlamadan önce çalışma alanında üzeri kapatılmış elektrik kablosu, gaz ve su borusu bulunup bulunmadığını kontrol ediniz. Bir elektrik hattına kazara zarar verilmesi halinde, aletin dışındaki metal parçalar elektrik çarpmasına neden olabilir.

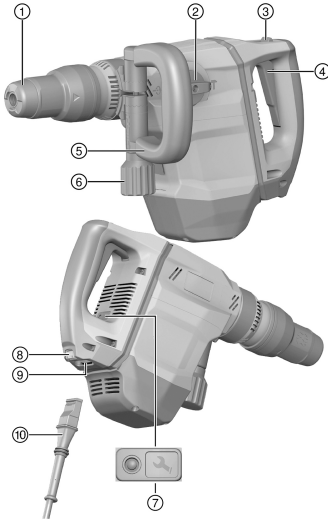
### Elektrikli el aletleri ile dikkatli çalışılması ve aletin doğru kullanılması

- ▶ Takımın bloke olması halinde, elektrikli el aletini derhal kapatınız. Alet yana doğru kayabilir.
- ▶ Yere koymadan önce elektrikli el aletinin tamamen durmasını bekleyiniz.



### 3 Tanımlama

#### 3.1 Ürüne genel bakış



- ① Alet bağlantı yeri
- ② Fonksiyon seçme şalteri
- ③ Kumanda şalteri
- ④ Kumanda şalteri kilidi
- ⑤ Yan tutamak
- ⑥ Sap
- ⑦ Servis göstergesi
- ⑧ Kilitleme tuşu
- ⑨ Elektrikli el aleti bağlantısı
- ⑩ Kodlanmış, çekilebilir konektörlü şebeke kablosu

#### 3.2 Usulüne uygun kullanım

Açıklanan ürün elektrik tahrikli bir keski tabancasıdır. Duvar ve beton zeminlerdeki orta zorlukta kırma işleri için uygundur.

- Çalışma sadece tip plakasında verilen şebeke gerilimi ve frekansta gerçekleştirilmelidir.

#### 3.3 Active Vibration Reduction (AVR)

Keski tabancasında titreşimi etkili biçimde azaltan bir Active Vibration Reduction (AVR) sistemi mevcuttur.

#### 3.4 Olası yanlış kullanım

- Bu ürün, sağlığa zararlı maddelerin işlenmesi için uygun değildir.
- Bu ürün, nemli ortamlardaki çalışmalar için uygun değildir.
- Bu ürün, tip plakasında belirtilen şebeke gerilimi ve frekansın haricinde değerler ile çalıştırılmamalıdır.

#### 3.5 Servis göstergesi

Keski tabancasında ışık sinyali bulunan bir servis göstergesi mevcuttur.

Durum	Anlamı
Servis göstergesi yanıyor.	Servis ömrüne ulaşıldı.
Servis göstergesi yanıp sönüyor.	Ürün üzerinde hasar. Ürün <b>Hilti Service</b> tarafından onarılmalıdır.

#### 3.6 Teslimat kapsamı

Keski tabancası, yan tutamak, kullanım kılavuzu.



Ürün için izin verilen diğer sistem ürünlerini **Hilti Store**'da veya şu adreste bulabilirsiniz:  
[www.hilti.group](http://www.hilti.group)





## 4 Teknik veriler

### 4.1 Keski tabancası



Nominal gerilim, nominal akım, frekans ve nominal akım tüketimini ülkenize özgü tip plakasında bulabilirsiniz.

Jeneratörlü veya transformatörlü bir işletim durumunda çıkış gücü, aletin tip plakasında belirtilen nominal akım tüketiminin en az iki katı büyüklüğünde olmalıdır. Transformatörün veya jeneratörün çalışma gerilimi her zaman alet nominal geriliminin % +5'i ile % -15'i arasında olmalıdır.

	<b>TE 500-AVR</b>
<b>EPTA prosedürü 01 uyarınca ağırlık</b>	6,3 kg

### 4.2 EN 62841 uyarınca ses bilgisi ve titreşim değerleri

Bu talimatlarda belirtilen ses basıncı ve titreşim değerleri, ilgili normlara uygun bir ölçüm metodu ile ölçülmüştür ve elektrikli el aletlerinin birbirleri ile karşılaştırılması için kullanılabilir. Zorlanmaların geçici olarak değerlendirilmesine de uygundur.

Belirtilen değerler, elektrikli el aletinin ana kullanım alanlarını temsil eder. Elektrikli el aletinin, farklı ek aletlerle veya yetersiz bakım yapılmış şekilde kullanılması durumunda, veriler sapma gösterebilir. Bu durum, toplam çalışma süresi boyunca zorlanmayı belirgin şekilde yükseltebilir.

Doğru bir zorlanma değerlendirmesi için elektrikli el aletinin kapatıldığı veya çalışır konumda olduğu ve ayrıca kullanımda olmadığı zamanlar da dikkate alınmalıdır. Bu durum, toplam çalışma süresi boyunca zorlanmayı belirgin şekilde azaltabilir.

Kullanıcıyı ses ve/veya titreşimin etkilerinden koruyacak ek güvenlik önlemleri belirleyiniz, örneğin: Elektrikli el aletinin ve ek aletlerin bakımının yapılması, ellerin sıcak tutulması, iş akışlarının düzenlenmesi.

#### Ses bilgileri

<b>Ses gücü seviyesi (<math>L_{WA}</math>)</b>	104 dB(A)
<b>Ses basıncı seviyesi (<math>L_{pA}</math>)</b>	93 dB(A)
<b>Emniyetsizlik (ses değerleri) (<math>K_{pA}</math> ve <math>K_{WA}</math>)</b>	3 dB(A)

#### Toplam titreşim değerleri

<b>Keskileme (<math>a_{h, Cheq}</math>)</b>	8,2 m/sn <sup>2</sup>
<b>Emniyetsizlik (Titreşim toplam değerleri)</b>	1,5 m/sn <sup>2</sup>

## 5 Kullanım

### 5.1 Çalışma hazırlığı



#### DİKKAT

**Yaralanma tehlikesi!** Ürünün yanlışlıkla çalışmaya başlaması.

► Aletin ayarlarını yapmadan veya aksesuar parçalarını değiştirmeden önce şebeke fişini çekin.

Bu dokümanda ve ürün üzerinde bulunan güvenlik ve uyarı bilgilerine dikkat ediniz.

#### 5.1.1 Yan tutamak montajı



#### DİKKAT

**Yaralanma tehlikesi** Keski tabancası üzerindeki kontrolün kaybedilmesi.

► Yan tutamağın doğru monte edildiğinden ve usulüne uygun şekilde sabitlendiğinden emin olunuz.

1. Tutucuyu (germe bandı) ve yan tutamağı ön taraftan, alet bağlantı yerinin üzerinden öngörülen yuvasına gelineye kadar itiniz.
2. Yan tutamağı istenen konuma konumlandırınız.
3. Yan tutamağın tutucusunu (germe bandı) sabitlemek için sapı döndürünüz.



### 5.1.2 Geçmeli şebeke kablosunun bağlanması

#### DİKKAT

**Yaralanma tehlikesi** Kirlenmiş kontaklardaki kaçak akımlar nedeniyle.

► Çıkarılabilir elektrik soket bağlantısını sadece temiz, kuru ve gerilimsiz bir durumdayken elektrikli el aletine bağlayınız.

1. Kodlanmış, sökülebilir elektrikli soket bağlantısını dayanak noktasına kadar alete yerleştiriniz, kilit duyulur şekilde yerine oturuncaya kadar itiniz.
2. Şebeke fişini prize takınız.

### 5.1.3 Ek aletin takılması/sökülmesi

#### İKAZ

**Yaralanma tehlikesi** Alet kullanım sırasında ısınır.

► Alet değişimi sırasında koruyucu eldiven takılmalıdır.

1. Ek aletin giriş ucunu gresle hafifçe yağlayınız.
2. Ek aleti dayanak yerine kadar alet bağlantı yerine yerleştirip oturtunuz.
  - Ürün kullanıma hazırdır.
3. Alet kilidini dayanak noktasına kadar geri çekiniz ve ek aleti çıkarınız.



Sadece **Hilti** marka orijinal gres kullanınız. Uygun olmayan bir gres kullanılması, üründe hasarlara neden olabilir.

### 5.1.4 Keski konumlandırma

#### DİKKAT

**Yaralanma tehlikesi** Keski yönü kontrolünü kaybetme.

► "Keski konumlandırma" konumunda çalışmayınız. Fonksiyon seçme şalterini "Keskileme" konumuna oturuncaya kadar döndürünüz.



Keski, 24 farklı konumda (15°'lik kademelerle) ayarlanabilir. Böylece yassı ve kalıp keski ile her zaman en uygun çalışma konumunda çalışılabilir.

1. Fonksiyon seçme şalterini → konumuna getiriniz.
2. Keskiyi istediğiniz pozisyona çeviriniz.
3. Fonksiyon seçme şalterini yerine oturana kadar **T** konumuna getiriniz.
  - Alet çalışmaya hazırdır.

### 5.1.5 Geçmeli şebeke kablosunun elektrikli el aletinden ayrılması

1. Şebeke fişini prizden çekiniz.
2. Kilitleme tuşuna basınız ve kodlu, ayrılabilir elektrik soket bağlantısını çekiniz.
3. Şebeke kablosunu aletten çıkarınız.

## 5.2 Çalışma

#### İKAZ

**Elektrik çarpması tehlikesi!** Topraklama kablosunun ve kaçak akım koruma şalterinin olmaması, ciddi yaralanmalara ve yanıklara neden olabilir.

- İnşaat alanındaki elektrikli şebeke veya jeneratör hatlarında daima topraklama hattı ve kaçak akım koruma şalteri olduğundan ve bunların bağlı olduğundan emin olunuz.
- Bu güvenlik önlemleri olmadan hiçbir ürünü çalıştırmayınız.

#### İKAZ

**Hasarlı kablo nedeniyle tehlike!** Çalışma esnasında şebeke veya uzatma kablosu hasar görürse bu kabloya dokunmamalısınız. Şebeke fişi prizden çekilmelidir.

► Aletin bağlantı hatlarını düzenli olarak kontrol ediniz ve hasar durumunda bunu yetkili bir uzmana değiştiriniz.



İşleri tam kapsamlı olarak inşaat bölümüne onaylatınız!

### 5.2.1 Kesileme

- Fonksiyon seçme şalterini **T** konumuna getiriniz.

### 5.2.2 Sürekli çalışmayı açma/kapatma



Kesileme modunda açma/kapatma şalterini açık durumda kilitleyebilirsiniz.

1. Sürekli işletim için sabitleme düğmesi öne itiniz.
2. Kumanda şalterine sonuna kadar basınız.
  - Ürün şimdi sürekli modda çalışır.
3. Sürekli çalışma için sabitleme düğmesini arkaya itiniz.
  - Ürün kapanır.

## 6 Bakım ve onarım



### İKAZ

**Elektrik çarpması tehlikesi!** Şebeke fişi takılıyken yapılan bakım ve onarım çalışmaları ciddi yaralanmalara ve yanıklara neden olabilir.

- Tüm bakım ve onarım çalışmalarından önce her zaman şebeke fişi çekilmelidir!

### Bakım

- Yapışmış olan kir dikkatlice çıkarılmalıdır.
- Havalandırma deliklerini kuru bir fırça ile dikkatlice temizleyiniz.
- Gövde sadece hafif nemli bir bezle temizlenmelidir. Plastik parçalara yapışabileceğinden silikon içerikli bakım maddeleri kullanılmamalıdır.

### Bakım



### İKAZ

**Elektrik çarpması tehlikesi!** Elektrikli parçalarda usulüne uygun olmayan onarımlar ciddi yaralanmalara ve yanıklara neden olabilir.

- Elektrik parçalarındaki onarımlar sadece elektronik uzmanı tarafından yapılabilir.
- Görünür tüm parçalarda hasar olup olmadığı ve kumanda elemanlarının sorunsuz şekilde çalıştığı kontrol edilmelidir.
- Hasar ve/veya fonksiyon arızaları durumunda ürün çalıştırılmamalıdır. Derhal **Hilti** servisi tarafından onarılmalıdır.
- Bakım ve onarım çalışmalarından sonra tüm koruma tertibatları yerleştirilmeli ve fonksiyonları kontrol edilmelidir.



Güvenli çalışma için sadece orijinal yedek parçalar ve sarf malzemeleri kullanınız. Tarafımızdan onaylanmış, yedek parçaları, aksesuarları ve sarf malzemelerini **Hilti Store** veya şu adreste bulabilirsiniz: [www.hilti.group](http://www.hilti.group).

## 7 Taşınması ve depolanması

### Taşıma

- Bu ürünü bir el aleti takılıyken taşımayınız.
- Taşıma esnasında güvenli bir şekilde durmasına dikkat ediniz.
- Görünür tüm parçalarda hasar olup olmadığını ve kumanda elemanlarının sorunsuz şekilde çalışıp çalışmadığını her taşımadan sonra kontrol ediniz.

### Depolama

- Bu ürünü daima şebeke fişi çekili olarak depolayınız.
- Bu ürünü kuru ve çocuklar ile yetkisiz kişilerin erişmeyeceği yerlerde muhafaza ediniz.
- Görünür tüm parçalarda hasar olup olmadığını ve kumanda elemanlarının sorunsuz şekilde çalışıp çalışmadığını uzun süreli depolamadan sonra kontrol ediniz.




## 8 Arıza durumunda yardım

Bu tabloda listelenmemiş veya kendi başınıza gideremediğiniz arızalarda lütfen yetkili **Hilti** servisimiz ile irtibat kurunuz.

### 8.1 Arıza durumunda yardım

Arıza	Olası sebepler	Çözüm
Keski tabancası çalışmıyor.	Şebeke elektriği kesik.	► Başka bir elektrikli alet takınız ve çalışıp çalışmadığını kontrol ediniz.
	Elektronik çalışma blokajı güç kaynağı kesikliğinden sonra aktiftir.	► Aleti kapatınız ve tekrar açınız.
	Jeneratör uyku modunda.	► Jeneratörü ikinci bir tüketici (örneğin şantiye lambası) ile yük altına alınız. Ardından aleti kapatınız ve tekrar açınız.
	Alette hasar.	► Ürün <b>Hilti</b> servisi tarafından onarılmalıdır.
	Kömür aşınmış.	► Elektronik uzmanına kontrol ettiriniz ve gerekirse yeniletiniz.
Darbe yok.	Alet çok soğuk.	► Keski tabancasını zemine yerleştiriniz ve boşta çalıştırınız. Darbe mekanizması çalışıncaya kadar gerektiği kadar tekrarlayınız.
Keski tabancası tam güce sahip değil.	Uzatma kablosu çok uzun ve / veya kesitleri yetersiz.	► Uzatma kablosu izin verilen uzunlukta ve / veya yeterli kesitte kullanılmalıdır.
	Kumanda şalteri tam basılı değil.	► Kumanda şalterini dayanak noktasına kadar bastırınız.
Keski kilitten çözilemiyor.	Alet bağlantı yeri tam olarak geri çekilmemiş.	► Alet kilidini dayanağa kadar geri çekiniz ve aleti dışarı çıkartınız.
Servis göstergesi yanıp sönüyor.	Alette hasar.	► Ürün <b>Hilti</b> servisi tarafından onarılmalıdır.
Servis göstergesi yanıyor.	Kömür aşınmış.	► Elektronik uzmanına kontrol ettiriniz ve gerekirse yeniletiniz.
	Alette arıza ortaya çıktı veya servis zamanı geldi.	► Ürün sadece <b>Hilti</b> Service tarafından onarılmalıdır.

## 9 İmha

 **Hilti** aletleri yüksek oranda geri dönüşümlü malzemelerden üretilmiştir. Geri dönüşüm için gerekli koşul, usulüne uygun malzeme ayrımıdır. Çoğu ülkede **Hilti**, eski aletlerini yeniden değerlendirmek üzere geri alır. Bu konuda **Hilti** müşteri hizmetlerinden veya satış temsilcinizden bilgi alabilirsiniz.



- Elektrikli el aletlerini, elektronik cihazları ve aküleri evdeki çöplere atmayınız!

## 10 RoHS (Tehlikeli madde kullanımını kısıtlama direktifi)

Aşağıdaki linklerde tehlikeli maddeler tablosunu bulabilirsiniz: [qr.hilti.com/rxxx](http://qr.hilti.com/rxxx).

RoHS tablosunun linkini bu dokümanın sonunda karekod olarak bulabilirsiniz.

## 11 Üretici garantisi

- Garanti koşullarına ilişkin sorularınız için lütfen yerel **Hilti** iş ortağınıza başvurunuz.



## دليل الاستعمال الأصلي

## 1 بيانات بخصوص دليل الاستعمال

## 1.1 خاص بدليل الاستعمال هذا

- اقرأ دليل الاستعمال قبل التشغيل. يعتبر هذا شرطاً للعمل بشكل آمن والاستخدام بدون اختلالات.
- احرص على مراعاة إرشادات الأمان والإرشادات التحذيرية الواردة دليل الاستعمال هذا والمدونة على المنتج.
- احتفظ بدليل الاستعمال دائماً مع هذا المنتج، ولا تعطي المنتج لأشخاص آخرين إلا مع إرفاق دليل الاستعمال هذا معه.

## 2.1 شرح العلامات

## 1.2.1 إرشادات تحذيرية

تتبع الإرشادات التحذيرية إلى الأخطار الناشئة عند التعامل مع الجهاز. يتم استخدام الكلمات الدلالية التالية:

## خطر ⚠

خطر!

• تشير لخطر مباشر يؤدي لإصابات جسدية خطيرة أو إلى الوفاة.

## تحذير ⚠

تحذير!

• تشير لخطر محتمل قد يؤدي لإصابات جسدية خطيرة أو إلى الوفاة.

## احترس! ⚠

احترس!

• تشير لموقف خطر محتمل يمكن أن يؤدي لإصابات جسدية أو أضرار مادية.

## 2.2.1 الرموز في دليل الاستعمال

يتم استخدام الرموز التالية في دليل الاستعمال هذا:

يراعى دليل الاستعمال	
إرشادات الاستخدام ومعلومات أخرى مفيدة.	
التعامل مع مواد قابلة لإعادة التدوير	
لا تتخلص من الأجهزة الكهربائية البطاريات ضمن القمامة المنزلية	

## 3.2.1 الرموز في الصور

تستخدم الرموز التالية في الرسوم التوضيحية:

تشير هذه الأعداد إلى الصورة المعنية في بداية دليل الاستعمال هذا.	2
تشير الأرقام في الصور إلى خطوات العمل المهمة أو إلى الأجزاء المهمة لخطوات العمل. يتم إبراز هذه الخطوات أو الأجزاء في النص من خلال الأرقام، على سبيل المثال (3).	3
يتم استخدام أرقام المواضيع في صورة العرض العام وهي تشير إلى أرقام تعليق الصورة في فصل عرض عام للمنتج.	11
هذه العلامة من شأنها أن تثير انتباهك جيداً عند التعامل مع المنتج.	



### 3.1 شرح العلامات

#### 1.3.1 الرموز على المنتج

يتم استخدام الرموز التالية على المنتج:

النقر بالإزميل	T
تحديد موضع الإزميل	⊖
فئة الحماية II (عزل مزدوج)	□
عدد اللغات الاسمي في الوضع المايد	n <sub>0</sub>
استخدم قفازا واقيا	

#### 4.1 معلومات المنتج

منتجات **HILTI** مصممة للمستخدمين المحترفين ويقتصر استعمالها وصيانتها وإصلاحها على الأشخاص المعتمدين والمدربين جيدا. هؤلاء الأشخاص يجب أن يكونوا قد تلقوا تدريباً خاصاً على الأخطار الطارئة. قد يتسبب الجهاز وأدواته المساعدة في حدوث أخطار إذا تم التعامل معها بشكل غير سليم فنياً من قبل أشخاص غير مدربين أو تم استخدامها بشكل غير مطابق للتعليمات.

يوجد مسمى الطراز والرقم المسلسل على لوحة الصنع.

◀ انقل الرقم المسلسل في الجدول التالي. ستحتاج إلى بيانات المنتج في حالة الاستفسارات الموجبة إلى ممثلينا أو مركز الخدمة.

#### بيانات المنتج

الإزميل الدقاق	TE 500-AVR
الجيل	03
الرقم المسلسل	

#### 5.1 بيان المطابقة

نقر على مسؤوليتنا الفردية بأن المنتج المشروع هنا متوافق مع التشريعات والمواصفات المعمول بها. تجد صورة لبيان المطابقة في نهاية هذا المستند.

المستندات الفنية محفوظة هنا:

Hilti Entwicklungsgesellschaft mbH | Zulassung Geräte | Hiltistraße 6 | 86916 Kaufering, DE

## 2 السلامة

### 1.2 إرشادات السلامة العامة المتعلقة بالأدوات الكهربائية

**⚠ تحذير احرص على قراءة جميع إرشادات السلامة، التوجيهات، الصور التوضيحية والمواصفات الفنية المرفقة مع هذه الأداة الكهربائية.** أي تقصير أو إهمال في الالتزام بالتعليمات التالية قد يتسبب في حدوث صق كهربائي، نشوب حريق و/أو وقوع إصابات خطيرة.

**احتفظ بجميع مستندات إرشادات السلامة والتعليمات لاستخدامها عند الحاجة إليها فيما بعد.**

يقصد بمصطلح «الأداة الكهربائية» المذكور في إرشادات السلامة الأدوات الكهربائية المشغلة بالكهرباء (باستخدام كابل الكهرباء) أو الأدوات الكهربائية المشغلة بالبطاريات (بدون كابل الكهرباء).

#### سلامة مكان العمل

◀ حافظ على نطاق عملك نظيفاً ومضاءً بشكل جيد. الفوضى أو أماكن العمل غير المضاءة يمكن أن تؤدي لوقوع حوادث.

◀ لا تعمل بالأداة الكهربائية في محيط معرض لخطر الانفجار يتواجد به سوائل أو غازات أو أنواع غبار قابلة للاشتعال. الأدوات الكهربائية تولد شرراً يمكن أن يؤدي لإشعال الغبار والأبيرة.

◀ احرص على إبعاد الأطفال والأشخاص الآخرين أثناء استخدام الأداة الكهربائية. في حالة انصراف انتباهك قد تفقد السيطرة على الجهاز.



## السلامة الكهربائية

- ◀ يجب أن يكون قابس توصيل الأداة الكهربائية متلائماً مع المقبس. لا يجوز تعديل القابس بأي حال من الأحوال. لا تستخدم قوايس مهايأة مع أدوات كهربائية ذات وصلة أرضي محمية. القوايس غير المعدلة والمقابس الملائمة تقلل من خطر حدوث صدمة كهربائية.
- ◀ تجنب حدوث تلامس للجسم مع أسطح مؤرضة مثل الأسطح الخاصة بالمواسير وأجهزة التدفئة والمواد والتلجّات. ينشأ خطر متزايد من حدوث صدمة كهربائية عندما يكون جسمك متصلاً بالأرض.
- ◀ أبعد الأدوات الكهربائية عن الأمطار أو البلل. تسرب الماء إلى داخل الأداة الكهربائية يزيد من خطر حدوث صدمة كهربائية.
- ◀ لا تستخدم كابل التوصيل لحمل الأداة الكهربائية أو تعليقها أو لسحب القابس من المقبس. احتفظ بكابل التوصيل بعيداً عن السخونة والزيت والمواد والأجزاء المتحركة. كبلات التوصيل التالفة أو المتشابكة تزيد من خطر حدوث صعق كهربائي.
- ◀ عندما تعمل بأداة كهربائية في مكان مكشوف، فلا تستخدم سوى كبلات الإطالة المناسبة للعمل في النطاق الخارجي. استخدام كابل إطالة مناسب للعمل في النطاق الخارجي يقلل من خطر حدوث صعق كهربائي.
- ◀ إذا تعذر تجنب تشغيل الأداة الكهربائية في محيط رطب، فاستخدم مفتاح حماية من تسرب التيار. استخدام مفتاح الحماية من تسرب التيار يقلل خطر حدوث صدمة كهربائية.

## سلامة الأشخاص

- ◀ كن يقظاً وانتبه لما تفعل وتعامل مع الأداة الكهربائية بتعقل عند العمل بها. لا تستخدم الأداة الكهربائية عندما تكون متعباً أو تحت تأثير المخدرات أو الكحوليات أو العقاقير. فقد يتسبب عدم الانتباه للحظة واحدة أثناء الاستخدام في حدوث إصابات بالغة.
- ◀ ارتد تجهيزات وقاية شخصية وارتد دائماً نظارة واقية. ارتداء تجهيزات وقاية شخصية، مثل قناع الوقاية من الغبار وأحذية الأمان المضادة للانزلاق وخوذة الوقاية أو واقي السمع، تبعاً لنوع واستخدام الأداة الكهربائية، يقلل من خطر الإصابات.
- ◀ تجنب التشغيل بشكل غير مقصود. تأكد أن الأداة الكهربائية مطفأة قبل توصيلها بالكهرباء و/أو بالبطارية وقبل رفعها أو حملها. إذا كان المفتاح على الحمل الأداة الكهربائية أو كان الجهاز في وضع التشغيل عند التوصيل بالكهرباء، فقد يؤدي ذلك لوقوع حوادث.
- ◀ أبعد أدوات الضبط أو مفاتيح ربط البراغي قبل تشغيل الأداة الكهربائية. الأداة أو المفتاح المتواجد في جزء دوار من الجهاز يمكن أن يؤدي لحدوث إصابات.
- ◀ تجنب اتخاذ وضع غير طبيعي للجسم. احرص على أن تكون واقفاً بأمان وحافظ على توازنك في جميع الأوقات. من خلال ذلك تستطيع السيطرة على الأداة الكهربائية بشكل أفضل في المواقف المفاجئة.
- ◀ ارتد ملابس مناسبة. لا ترتد ملابس فضفاضة أو حلي. احرص على أن يكون الشعر والملابس والقفازات بعيدة عن الأجزاء المتحركة. الملابس الفضفاضة أو الحلي أو الشعر الطويل يمكن أن تشبكت في الأجزاء المتحركة.
- ◀ إذا أمكن تركيب تجهيزات شفط وتجميع الغبار، فتأكد أنها موصلة ومستخدم بشكل سليم. استخدام تجهيزة شفط الغبار يمكن أن يقلل الأخطار الناتجة عن الغبار.
- ◀ لا تعتقد بأنك في مأمن عن الخطر ولا تتجاهل تشريعات السلامة المعنية للأدوات الكهربائية، حتى وإن كنت على دراية بالأداة الكهربائية بعد تكرار استخدامها. التعامل مع الجهاز بدون حذر قد يؤدي إلى وقوع إصابات بالغة في جزء من الثانية.

## استخدام الأداة الكهربائية والتعامل معها

- ◀ لا تفرط في التحميل على الجهاز. استخدم الأداة الكهربائية المناسبة للعمل الذي تقوم به. استخدام الأداة الكهربائية المناسبة يتبع لك العمل بشكل أفضل وأكثر أماناً في نطاق العمل المقرر.
- ◀ لا تستخدم أداة كهربائية ذات مفتاح تالف. الأداة الكهربائية التي لم يعد يمكن تشغيلها أو إطفائها تمثل خطورة ويجب إصلاحها.
- ◀ اسحب القابس من المقبس و/أو اخلع البطارية القابلة للخلع من الجهاز قبل إجراء عمليات الضبط، أو استبدال أجزاء الملحقات أو عند ترك الجهاز. هذا الإجراء الوقائي يمنع بدء تشغيل الأداة الكهربائية دون قصد.
- ◀ احتفظ بالأدوات الكهربائية غير المستخدمة بعيداً عن متناول الأطفال. لا تسمح باستخدام الجهاز من قبل أشخاص ليسوا على دراية به أو لم يقرءوا هذه التعليمات. الأدوات الكهربائية خطيرة في حالة استخدامها من قبل أشخاص ليست لديهم الخبرة الواجبة.
- ◀ اعتني جيداً بالأدوات الكهربائية والملحقات. افحص الأجزاء المتحركة من حيث أداؤها لوظيفتها بدون مشاكل وعدم انحصارها وافحصها من حيث وجود أجزاء مكسورة أو متعرضة للضرر يمكن أن تؤثر



- سلبا على وظيفة الأداة الكهربائية. اعمل على إصلاح الأجزاء التالفة قبل استخدام الجهاز. الكثير من الحوادث مصدرها الأدوات الكهربائية التي تم صيانتها بشكل رديء.
- حافظ على أدوات القطع حادة ونظيفة. تتميز أدوات القطع ذات حواف القطع المادة المعتنى بها بدقة بأنها أقل عرضة للتعثر وأسهل في التعامل.
- استخدم الأداة الكهربائية والملحقات وأدوات العمل وخلافه طبقا لهذه التعليمات. احرص في هذه الأثناء على مراعاة اشتراطات العمل والمهمة المراد تنفيذها. استخدام الأدوات الكهربائية في تطبيقات غير تلك المقررة لها يمكن أن يؤدي لمواقف خطيرة.
- حافظ على المقابض ومواضع المسك في حالة جافة ونظيفة وخالية من الزيت والشحم. المقابض ومواضع المسك الانزلاقية تحول دون استعمال الأداة الكهربائية والتحكم بها بشكل آمن في المواقف غير المتوقعة.

#### الخدمة

- اعمل على إصلاح أدواتك الكهربائية على أيدي فنيين معتمدين فقط والاقصر على استخدام قطع الغيار الأصلية. وبذلك تتأكد أن سلامة الأداة الكهربائية تظل قائمة.

### 2.2 إرشادات السلامة الخاصة بالمطارق

#### إرشادات السلامة لجميع الأعمال

- استخدم واقيا للسمع. لذا يرجى مراعاة أن الضجيج الصاحب يمكن أن يُفقدك القدرة على السمع.
- استخدم المقابض الإضافية الموردة مع الجهاز. فقدان السيطرة يمكن أن يؤدي لوقوع إصابات.
- أمسك الجهاز من مواضع المسك المعزولة عند إجراء أعمال يحتمل فيها أن تتلاصق أداة الشغل مع أسلاك كهربائية مخفية أو مع سلك الكهرباء للجهاز ذاته. حيث أن ملامسة سلك يسري فيه التيار الكهربائي يمكن أن ينقل الجهد الكهربائي للأجزاء المعدنية بالجهاز ويؤدي لحدوث صدمة كهربائية.

### 3.2 إرشادات إضافية للسلامة

#### سلامة الأشخاص

- اقتصر على استخدام الجهاز وهو في حالة سليمة من الناحية الفنية.
- لا تقم أبداً بأية تدخلات أو تغييرات على الجهاز.
- أثناء أعمال الثقب قم بتأمين النطاق الواقع على الجهة المقابلة للعمل. الشظايا المتناثرة يمكن أن تتطاير و/أو تسقط وتصيب الآخرين.
- أمسك الجهاز دائما بيدك من المقابض المعنية. حافظ على جفاف ونظافة المقابض.
- أمسك المقبض الجانبي دائما من الخارج.
- احرص أثناء استخدام الجهاز على استعمال نظارة واقية ملائمة وخوذة حماية وواقي للسمع وقفاز واقية وكمامة خفيفة للتنفس.
- ارتد قفازا واقيا أثناء تغيير الأدوات. ملامسة أداة الشغل قد تؤدي لوقوع إصابات بجروح قطعية وإصابة بحروق.
- استخدم واقيا للعينين. الشظايا المتطايرة يمكن أن تصيب الجسم والعينين.
- احرص قبل بدء العمل على معرفة فئة خطر الغبار الناشئ عند إجراء العمل. استخدم شفاط غبار أعمال الإنشاءات ذي فئة حماية مصرع بها رسميا ومطابق للتعليمات المحلية الخاصة بالحماية من الغبار.
- استخدم شفاط الغبار ومزيل الغبار المحمول المناسب إن أمكن. الغبار الناتج عن خامات مثل الطلاء المحتوي على الرصاص وبعض أنواع الأخشاب والخرسانة/الجران والصخور المحتوية على الكوارتز والمعادن الصخرية والمعادن هو غبار ضار بالصحة.
- احرص على وجود توبة جيدة لمكان العمل وارتد عند اللزوم قناع تنفس مخصص لنوعية الغبار المنبعث. ملامسته أو استنشاقه قد يسبب أعراض حساسية و/أو أمراض الجهاز التنفسي للمستخدم أو للأشخاص المتواجدين على مقربة منه. هناك أنواع معينة مسرطنة من الغبار مثل غبار خشب البلوط أو غبار خشب الزان، ولا سيما إذا ارتبطت هذه الأنواع بمواد إضافية لمعالجة الأخشاب (مثل الكروم ومواد حماية الأخشاب). لا يجوز التعامل مع المواد المحتوية على الأسبستوس إلا من قبل فنيين متخصصين.
- خذ قسطا من الراحة أثناء العمل وقم بتمارين استرخاء لسريان الدم في الأصابع بشكل أفضل. عند القيام بأعمال لفترات طويلة فقد يحدث اضطرابات في الأوعية الدموية أو الجهاز العصبي بسبب كثرة الاهتزازات على الأصابع، الأيدي أو معصم اليد.





### السلامة الكهربائية

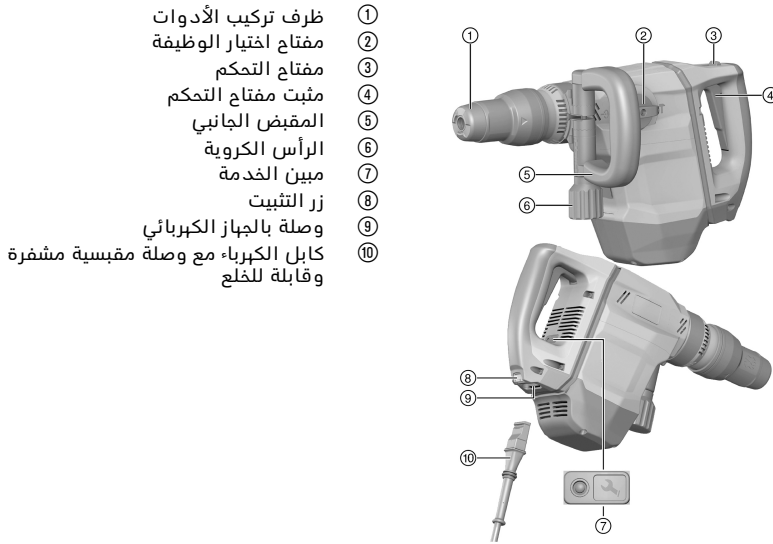
◀ قبل بدء الأعمال افحص نطاق العمل من حيث وجود توصيلات كهرباء مغطاة أو مواسير للغاز والماء. الأجزاء المعدنية الخارجية بالجهاز يمكن أن تتسبب في صدمة كهربائية، إذا قمت دون قصد بإتلاف إحدى توصيلات التيار.

### الاستخدام والتعامل بعناية مع الأدوات الكهربائية

◀ قم بإيقاف الأداة الكهربائية على الفور، بمجرد تعرض الأداة للإعاقة، يمكن أن ينحرف الجهاز جانبا.  
◀ قبل التخزين انتظر إلى أن تتوقف الأداة الكهربائية تماما.

## 3 الشرح

### 1.3 نظرة عامة على المنتج



- ① طرف تركيب الأدوات
- ② مفتاح اختيار الوظيفة
- ③ مفتاح التحكم
- ④ مثبت مفتاح التحكم
- ⑤ المقبض الجانبي
- ⑥ الرأس الكروية
- ⑦ مبيّن الخدمة
- ⑧ زر التثبيت
- ⑨ وصلة بالجهاز الكهربائي
- ⑩ وكابيل الكهرباء مع وصلة مقبسية مشفرة وقابلة للخلع

### 2.3 الاستخدام المطابق للتعليمات

المنتج المشروح عبارة عن إزميل دقاق متعدد الأغراض مشغل بالكهرباء. وهو مخصص للقيام بالأعمال المتوسطة بالإزميل في الجدران والفرسانة.  
◀ يجب ألا يتم التشغيل إلا بالتردد والجهد الكهربائي المذكورين على لوحة الصنع.

### 3.3 Active Vibration Reduction (AVR)

الإزميل الدقاق مزود بنظام Active Vibration Reduction (AVR) (مخمد الاهتزاز الفعال) والذي يقلل من الاهتزازات بشكل فائق.

### 4.3 الاستخدام الخاطئ المحتمل

- هذا المنتج غير مخصص للعمل مع الغامات الضارة بالصحة.
- هذا المنتج غير مناسب للعمل في البيئات الرطبة.
- لا يجوز تشغيل هذا المنتج إلا بالتردد والجهد الكهربائي المذكورين على لوحة الصنع.

### 5.3 مبيّن الخدمة

الإزميل الدقاق مجهز بمبيّن خدمة به إشارة ضوئية.

الحالة	الاستعمال
مبيّن الخدمة يضيء.	هذا يعني أنه حان موعد إجراء الخدمة.



<b>الحالة</b>	مبين الخدمة يومض.
<b>الاستعمال</b>	أضرار بالمنتج. قم بإصلاح الجهاز لدى مركز خدمة Hilti.

### 6.3 مجموعة التجهيزات الموردة

الإزميل الدقاق، المقبض الجانبي، دليل الاستعمال.

تجد المزيد من منتجات النظام المسموح بها للمنتج الخاص بك لدى متجر **Hilti Store** أو على موقع الإنترنت: [www.hilti.group](http://www.hilti.group)

## 4 المواصفات الفنية

### 1.4 الإزميل الدقاق

يرجى التعرف على الجهد الاسمي والتيار الاسمي والتردد والاستهلاك الاسمي من لوحة صنع الجهاز الخاصة بالبلد المعني.

في حالة التشغيل من مولد أو محول، فإنه يجب ألا تقل قدرة الخرج الخاصة به عن ضعف قدرة الدخل الاسمية الواردة على لوحة صنع الجهاز. جهد تشغيل المحول أو المولد يجب أن يكون دائما في نطاق +5% و 15% من الجهد الكهربائي الاسمي للجهاز.

<b>TE 500-AVR</b>	
6.3 كجم	<b>EPTA 01</b>

### 2.4 قيم الضوضاء والاهتزاز طبقا للمواصفة EN 62841

تم قياس ضغط الصوت وقيم الاهتزاز الواردة في هذا الدليل طبقا لأحد معايير القياس المحددة ويمكن الاستعانة بها في إجراء مقارنة بين الأدوات الكهربائية مع بعضها البعض. وهي مناسبة أيضا لتقدير حجم المخاطر بصورة أولية.

المواصفات الواردة تتعلق بالاستخدامات الأساسية للأداة الكهربائية. أما إذا تم استخدام الأداة الكهربائية في تطبيقات أخرى مع أدوات شغل مخالفة للمواصفات أو دون صيانة كافية، ففي هذه الحالة قد تختلف المواصفات. وقد يزيد هذا من نسبة المخاطر طوال مدة العمل بصورة واضحة.

وللحصول على تقدير دقيق لحجم المخاطر ينبغي أيضا مراعاة الأوقات التي يتم فيها إيقاف الجهاز أو التي يتم فيها تشغيل الجهاز ولكن دون استخدام حقيقي. وقد يقلل هذا من نسبة المخاطر طوال مدة العمل بصورة واضحة. احرص على اتخاذ إجراءات إضافية للسلامة من شأنها حماية المستخدم من تأثير الضجيج و/أو الاهتزازات مثل: صيانة الأداة الكهربائية وأدوات الشغل والحفاظ على الأيدي في حالة دافئة وتنظيم مراحل العمل.

#### معلومات الضجيج

104 ديسيبل (A)	<b>مستوى شدة الصوت (<math>L_{WA}</math>)</b>
93 ديسيبل (A)	<b>مستوى ضغط الصوت (<math>L_{pA}</math>)</b>
3 ديسيبل (A)	<b>نسبة التفاوت (قيم الضجيج) (<math>K_{WA}</math> و <math>K_{pA}</math>)</b>

#### قيم الاهتزاز الإجمالية

8.2 م/ثانية <sup>2</sup>	<b>النقر بالإزميل (<math>a_{h, Cheq}</math>)</b>
1.5 م/ثانية <sup>2</sup>	<b>نسبة التفاوت (قيم الاهتزاز الإجمالية)</b>

## 5 الاستعمال

### 1.5 التحضير للعمل

#### ⚠ احترس:

خطر الإصابة! تشغيل الجهاز بشكل غير مقصود.

◀ اسحب القابس الكهربائي، قبل إجراء عمليات ضبط الجهاز أو تغيير أجزاء الملحقات.



تراعى إرشادات الأمان والإرشادات التحذيرية الواردة في هذا المستند وعلى الجهاز.

### 1.1.5 تركيب المقبض الجانبي 2

**⚠️ احترس:**

**خطر الإصابة** فقدان السيطرة على الإزميل الدقاق.  
 • تأكد أن المقبض الجانبي مركب ومثبت بشكل سليم.

1. أدخل وسيلة التثبيت (شريط الشد) والمقبض الجانبي من الأمام عبر ظرف تركيب الأدوات وصولاً إلى الحز المخصص لذلك.
2. اضبط المقبض الجانبي في الوضع المرغوب.
3. أدر الرأس الكروية لشد وسيلة تثبيت (شريط الشد) المقبض الجانبي.

### 2.1.5 توصيل كابل الكهربيء القابل للإدخال

**⚠️ احترس:**

**خطر الإصابة** من جراء التيار الكهربائي المتسرب في حالة وجود أطراف توصيل متسفة.  
 • لا تقم بتوصيل الوصلة المقبسية الكهربائية القابلة للفك بالجهاز الكهربائي إلا وهي في حالة نظيفة وجافة ولا يسري بها جهد كهربائي.

1. أدخل الوصلة المقبسية الكهربائية المكودة القابلة للفك في الجهاز حتى النهاية، إلى أن يثبت القفل بصوت مسموع.
2. أدخل القابس الكهربائي في المقبس.

### 3.1.5 تركيب/خلع أداة الشغل 3

**⚠️ تحذير**

**خطر الإصابة** من الممكن أن تسخن الأداة نتيجة الاستخدام.  
 • ارتد قفازاً واقياً أثناء تغيير الأدوات.

1. قم بتزليق طرف إدخال أداة الشغل قليلاً.
2. أدخل أداة الشغل في ظرف تركيب الأدوات حتى النهاية واطرها تثبت في موضعها.  
 • المنتج جاهز للتشغيل.
3. قم بإرجاع وسيلة تأمين الأداة حتى النهاية وأخرج أداة الشغل.

**i** اقتصر على استخدام الشمع الأصلي من Hilti. قد يؤدي استخدام شمع غير مناسب إلى تعرض المنتج للضرر.

### 4.1.5 تحديد موضع الإزميل 4

**⚠️ احترس:**

**خطر الإصابة** فقدان السيطرة على اتجاه الإزميل.  
 • لا تعمل في وضع "تحديد موضع الإزميل". اضبط مفتاح اختيار الوظيفة على وضع "النقر بالإزميل"، إلى أن يستقر في موضعه.

**i** يمكن ضبط الإزميل على 24 وضعاً مختلفاً (في خطوات مقدار كل منها 15°). وبذلك يمكن دائماً العمل بالإزميل المقطوع وإزميل التشكيل في وضع العمل المثالي المناسب.

1. اضبط مفتاح اختيار الوظيفة على هذا الوضع (T).
2. أدر الإزميل إلى الوضع المرغوب.
3. اضبط مفتاح اختيار الوظيفة على هذا الوضع T، حتى يستقر في موضعه.  
 • الجهاز جاهز للتشغيل.

### 5.1.5 افصل قابس الكهربيء القابل للإدخال عن الجهاز الكهربائي

1. اسحب القابس الكهربائي من المقبس.
2. اضغط على زر التثبيت واخلع الوصلة المقبسية الكهربائية المكودة القابلة للفك.



## 2.5 العمل

### تحذير ⚠️

- خطر الصعق الكهربائي!** عدم وجود وصلات التأريض ومفاتيح الحماية من تسرب التيار يمكن أن يؤدي إلى وقوع إصابات وحروق بالغة.
- ◀ تأكد دائماً أن وصلات التأريض ومفاتيح الحماية من تسرب التيار موجودة وموصلة بوصلة الإمداد بالتيار الكهربائي بموقع العمل، سواء كانت من شبكة الكهرباء أو من مولد كهربائي.
  - ◀ لا تقم بتشغيل الجهاز دون مراعاة تدابير السلامة هذه.

### تحذير ⚠️

- خطر بسبب الكابلات التالفة!** في حالة تلف كابل الكهرباء أو كابل الإطالة أثناء العمل، فإنه لا يجوز لمس الكابل. اسحب القابس الكهربائي من المقبس.
- ◀ افحص أسلاك توصيل الجهاز بشكل منتظم وعند تلفها اعمل على تغييرها بمعرفة فني معتمد.

يتعين الحصول على تصريح من إدارة المنشأة بإجراء الأعمال كاملة.

### 1.2.5 النقر بالإزميل

- ◀ اضبط مفتاح اختيار الوظيفة على هذا الوضع T.

### 2.2.5 تشغيل / إيقاف وضع التشغيل المستمر

يمكن في وضع تشغيل الإزميل تثبيت مفتاح التشغيل/الإيقاف في وضع التشغيل.



1. قم بتحريك زر ثبات التشغيل المستمر إلى الأمام.
2. اضغط على مفتاح التشغيل/الإيقاف حتى النهاية تماماً.
  - ◀ يعمل المنتج الآن في وضع التشغيل المستمر.
3. قم بتحريك زر ثبات التشغيل المستمر إلى الخلف.
  - ◀ يتوقف المنتج.

## 6 العناية والصيانة

### تحذير ⚠️

- خطر بسبب حدوث صدمة كهربائية!** إجراء أعمال العناية والصيانة بينما القابس الكهربائي مركب قد يتسبب في إصابات بالغة والإصابة بحروق.
- ◀ احرص على سحب القابس الكهربائي قبل جميع أعمال الإصلاح والعناية!

### العناية

- قم بإزالة الاتساخ الملتصق برص.
- قم بتنظيف فتحات التهوية برص باستخدام فرشاة جافة.
- نظف جسم الجهاز باستخدام قطعة قماش مبللة بعض الشيء. لا تستخدم مواد عناية تحتوي على السيليكون لما قد تتسبب فيه من الإضرار بالأجزاء البلاستيكية.

### الصيانة

### تحذير ⚠️

- خطر الصعق الكهربائي!** قد تؤدي أعمال الصيانة التي تتم على الأجزاء الكهربائية بشكل غير سليم إلى حدوث إصابات خطيرة وإصابة بحروق.
- ◀ لا يجوز إجراء إصلاحات على الأجزاء الكهربائية إلا من خلال متخصصين في الكهرباء.
  - افحص جميع الأجزاء المرئية من حيث وجود أضرار وافحص عناصر الاستعمال من حيث كفاءتها الوظيفية.
  - في حالة وجود أضرار وأو اختلالات وظيفية لا تقم بتشغيل المنتج. احرص على الفور على إصلاحه لدى مركز خدمة Hilti.
  - بعد أعمال العناية والإصلاح قم بتركيب جميع تجهيزات الحماية وافحصها من حيث الأداء الوظيفي.



للتنشغيل الآمن اقتصر على استخدام قطع الغيار الأصلية وخامات الشغل. تجد قطع الغيار وخامات الشغل والملحقات المصرح بها من قبلنا للمنتج الخاص بك في متجر **Hilti Store** أو على موقع الإنترنت: [www.hilti.group](http://www.hilti.group)

## 7 النقل والتخزين

### النقل

- ▶ لا تنقل المنتج بينما الأداة مدخلة فيه.
- ▶ تأكد من الثبات الآمن أثناء النقل.
- ▶ احرص على فحص الأجزاء المرئية من حيث وجود أضرار بعد كل عملية نقل وافحص عناصر الاستعمال من حيث كفاءتها الوظيفية.

### التخزين

- ▶ احرص دائما عند تخزين المنتج على سلب القابض الكهربائي.
- ▶ قم بتخزين هذا المنتج وفي حالة جافة واحتفظ به بعيدا عن متناول الأطفال والأشخاص غير المصرح لهم.
- ▶ احرص على فحص الأجزاء المرئية من حيث وجود أضرار بعد النقل لمسافة طويلة وافحص عناصر الاستعمال من حيث كفاءتها الوظيفية.

## 8 المساعدة في حالات الاختلالات

عند حدوث اختلالات غير مذكورة في الجدول أو يتعذر عليك معالجتها بنفسك، فيرجى التوجه إلى مركز خدمة **Hilti**.


### 1.8 المساعدة في حالات الاختلالات


الخلل	السبب المحتمل	الحل
الإزميل الدقاق لا يبدأ في العمل.	انقطاع الإمداد بالتيار الكهربائي.	▶ قم بتوصيل جهاز كهربائي آخر وافحص التشغيل.
	تم تفعيل مانع بدء التشغيل الإلكتروني بعد فترة انقطاع التيار الكهربائي.	▶ قم بإيقاف الجهاز ثم أعد تشغيله.
	المولد الكهربائي في حالة السبات.	▶ قم بتشغيل جهاز كهربائي آخر (مثل مصباح إضاءة موقع البناء) من المولد الكهربائي. قم بعد ذلك بإيقاف الجهاز ثم أعد تشغيله.
	وجود أضرار بالجهاز.	▶ قم بإصلاح الجهاز لدى مركز خدمة <b>Hilti</b> .
	الكربون متآكل.	▶ افحصه على يد متخصص في الكهرباء و قم بتغييره إذا لزم الأمر.
لا يتولد طرقة.	الجهاز بارد للغاية.	▶ ضع الإزميل الدقاق على الأرض وأتركه يدور على الفارغ. عند اللزوم كرر هذه العملية حتى يعمل الطارق.
الإزميل الدقاق لا يعمل بكامل قدرته.	كابل الإطالة طويل للغاية و/أو ذو مقطع عرضي ضئيل للغاية.	▶ استخدم كابل إطالة ذا طول مسموح به و/أو ذا مقطع عرضي كاف.
	مفتاح التحكم ليس مضغوطا تماما.	▶ اضغط مفتاح التحكم تماما حتى النهاية.
الإزميل لا يتحرر من وضع إحكام التثبيت.	لم تقم بإرجاع طرف تركيب الأدوات حتى النهاية تماما.	▶ قم بإرجاع وسيلة إحكام قفل الأداة حتى النهاية وأخرج الأداة.
مبين الخدمة يومض.	وجود أضرار بالجهاز.	▶ قم بإصلاح الجهاز لدى مركز خدمة <b>Hilti</b> .



الخلل	السبب المحتمل	الحل
مبين الخدمة يضيء.	الكربون متآكل.	أفحصه على يد متخصص في الكهرباء وقم بتغييره إذا لزم الأمر.
	ضرر بالجهاز أو حان موعد إجراء الخدمة.	اقتصر على إصلاح المنتج لدى مركز خدمة Hilti.

## 9 التكيب

 أجهزة Hilti مصنوعة بنسبة كبيرة من مواد قابلة لإعادة التدوير. يشترط لإعادة التدوير أن يتم فصل الغامات بشكل سليم فنياً. في العديد من الدول تقوم شركة Hilti باستغلال الأجهزة القديمة لإعادة تدويرها. وللمعلومات حول ذلك اتصل بخدمة عملاء Hilti أو الموزع القريب منك.

لا تعلق الأدوات الكهربائية، الأجهزة الإلكترونية والبطاريات ضمن القمامة المنزلية! 

## 10 مواصفة RoHS (مواصفة تقييد استخدام المواد الخطيرة)

تجد جدول المواد الخطيرة تحت الروابط التالية: [qr.hilti.com/rxxx](http://qr.hilti.com/rxxx).  
تجد رابطاً بخصوص جدول RoHS في نهاية هذا المستند ككود QR.

## 11 ضمان الجبة الصانعة

في حالة وجود أية استفسارات بخصوص شروط الضمان، يرجى التوجه إلى وكيل Hilti المحلي التابع لك.



# EC Declaration of Conformity | UK Declaration of Conformity



**Manufacturer:**  
**Hilti Corporation**  
Feldkircherstraße 100  
9494 Schaan | Liechtenstein

**UK Importer:**  
**Hilti (Gt. Britain) Limited**  
No. 1 Circle Square, 3 Symphony Park  
Manchester, England, M1 7FS

## TE 500-AVR (03)

Serial Numbers: 1-99999999999

2006/42/EC   Supply of Machinery (Safety) Regulations 2008	EN 62841-1:2015, AC:2015	EN IEC 62841-2-6:2020/A11:2020
2014/30/EU   Electromagnetic Compatibility Regulations 2016	EN IEC 55014-1:2021	EN IEC 55014-2:2021
2011/65/EU   The Restriction of the Use of Certain Hazardous Substances in Electrical and Electronic Equipment Regulations 2012	EN IEC 61000-3-2:2019, A1:2021	EN 61000-3-3:2013 + A1:2019
2000/14/EC   Noise Emission in the Environment by Equipment for use Outdoors Regulations 2001		

Details to 2000/14/EC | Noise Emission in the Environment by Equipment for use Outdoors Regulations 2001:

Measured sound power level  $L_{WA}$ : 94 dB/1pW

Guaranteed sound power level,  $L_{WAd}$ : 103 dB/1pW

Conformity assessment procedure: 2000/14/EC Annex VI | Noise Emission in the Environment by Equipment for use Outdoors Regulations 2001, Schedule 9

EU Notified Body: TÜV NORD CERT GmbH  
Am TÜV 1, 45307 Essen, Germany (CE 0044)

UK Approved Body: HORIBA MIRA Certification Ltd  
Watling Street, Nuneaton, Warwickshire CV10 0TU (No 0888)

Schaan, 08.02.2023

**Dr. Tahar Zrilli**  
Head of Quality and Process Management  
Business Area Electric Tools & Accessories

**Edward-Louis Przybyłowicz**  
Head of BU Power Tool & Accessories  
Business Area Electric Tools & Accessories



<http://qr.hilti.com/r7770032>



Hilti Corporation  
LI-9494 Schaan  
Tel.:+423 234 21 11  
Fax:+423 234 29 65  
[www.hilti.group](http://www.hilti.group)



2146159