

MT-TL M10

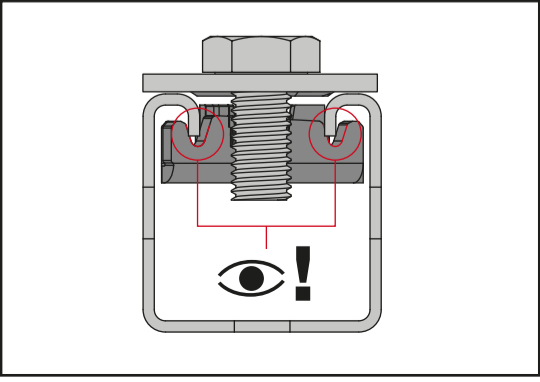
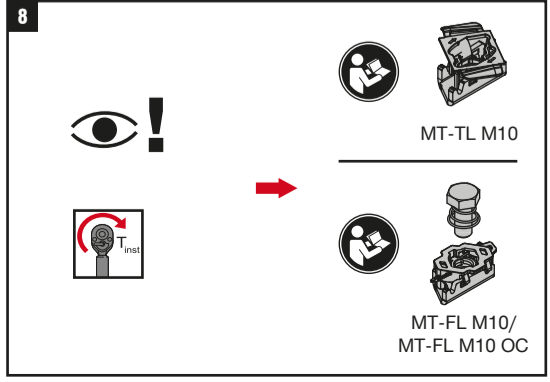
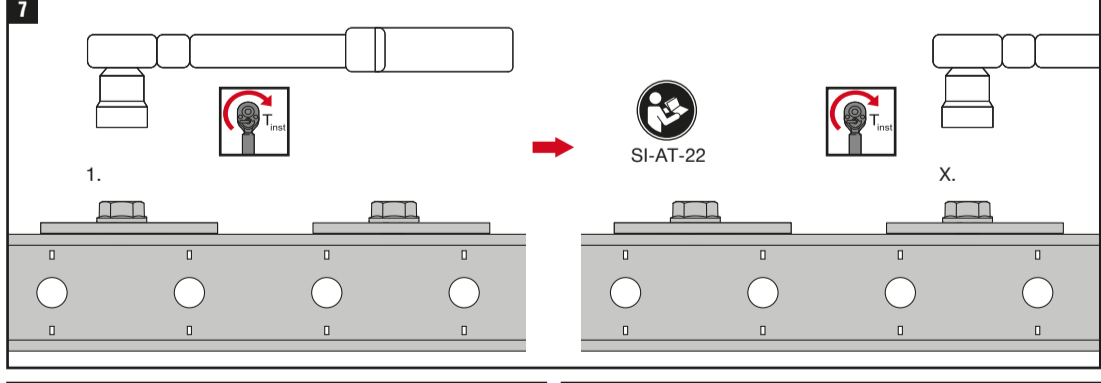
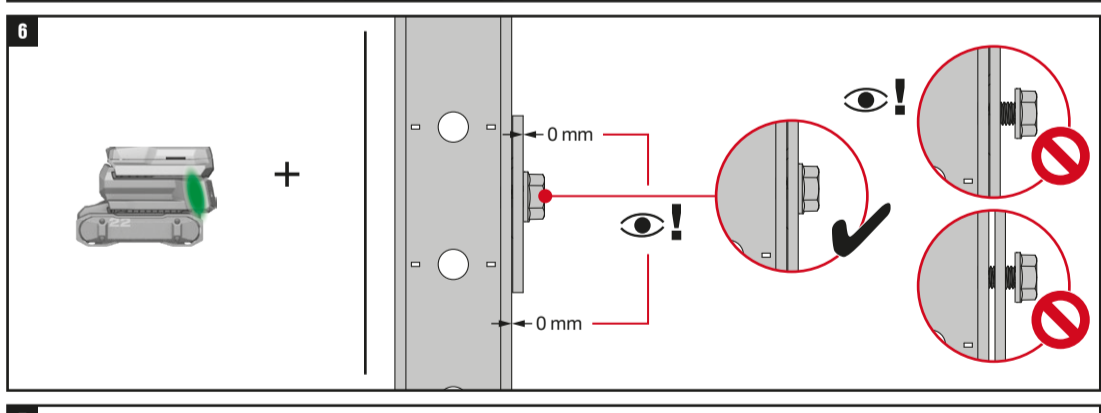
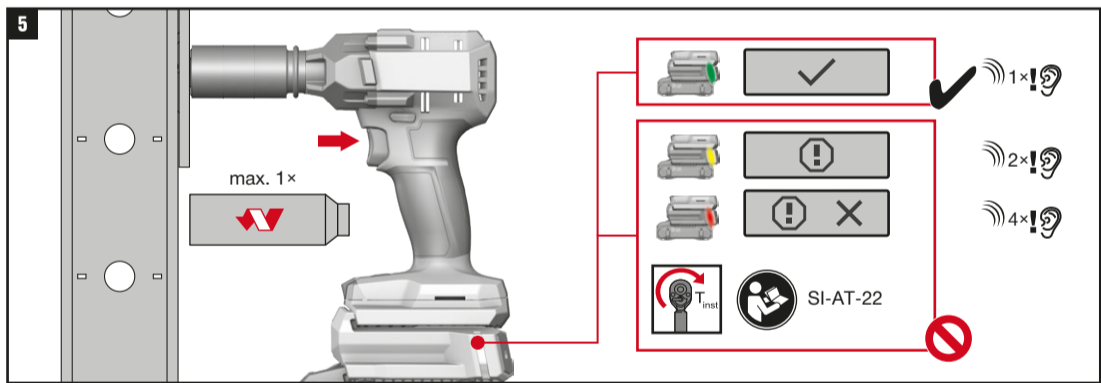
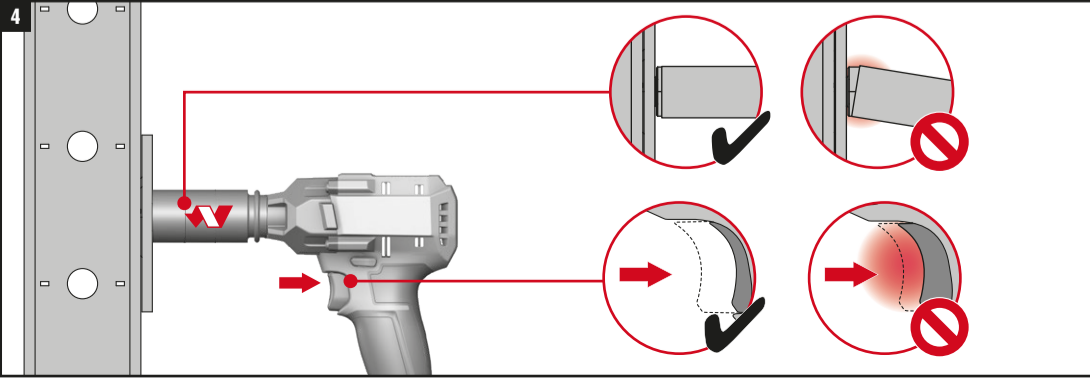
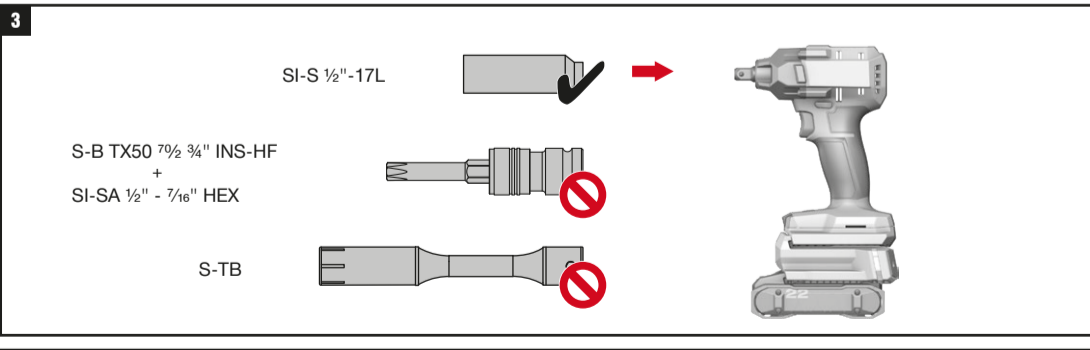
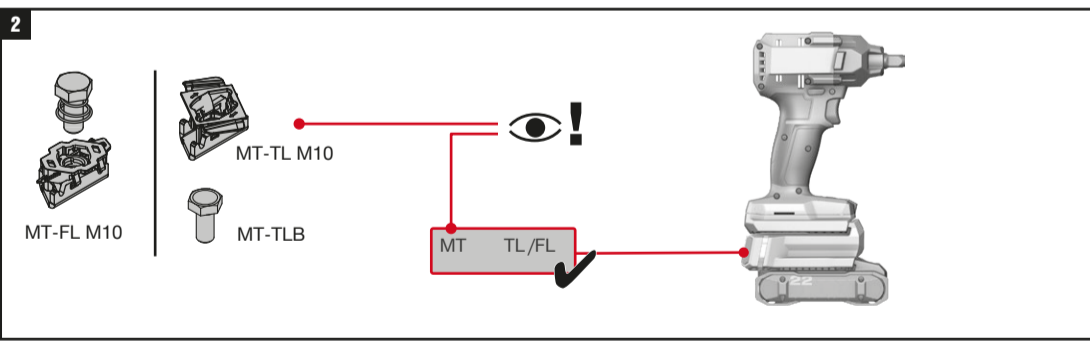
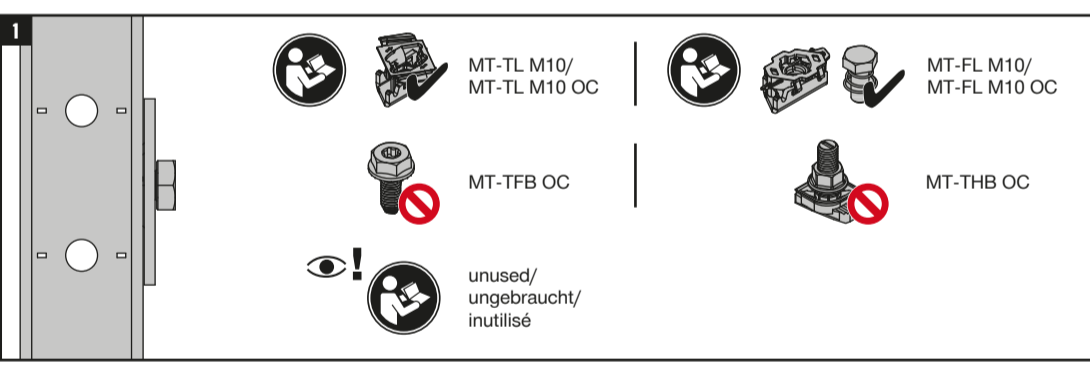
MT-FL M10

MT-TL M10 OC

MT-FL M10 OC

MT-TFB OC

MT-THB OC



1

MT-TFB OC MT-THB OC

MT OC TFB THB

4

max. 1x

SI-AT-22

1x 2x 4x

2

MT-TFB OC MT-THB OC

3a SI-S 1/2"-17L

3b S-B TX50 7/8" 3/4" INS-HF + SI-SA 1/2" - 7/16" HEX

S-TB

5

0 mm 0 mm

3a

6

SI-AT-22

1. X.

3b

7

MT-TFB OC MT-THB OC

unused/
ungebraucht/
inutilisé